



PARTS LIST FOR
WOS-15-0M10
WOS-15-0M30
(AFTER SERIAL #30007567)
OIL/WATER/SOLIDS SEPARATOR

Congratulations on the purchase of your new Mi-T-M Oil/Water/Solids Separator! This parts listing has been compiled for your benefit. You can be assured your Mi-T-M Oil/Water/Solids Separator was constructed and designed with quality and performance in mind. Each component has been rigorously tested to insure the highest level of acceptance.

The contents of this parts listing are based on the latest product information available at the time of publication. Mi-T-M reserves the right to make changes in price, color, materials, equipment, specifications or models at any time without notice.

WARNING

THIS IS A PROFESSIONAL OIL/WATER/SOLIDS SEPARATOR. CAUTION SHOULD BE OBSERVED WHEN USING OR REPAIRING THIS UNIT! READ AND FOLLOW THE SAFETY WARNINGS LISTED BELOW BEFORE ATTEMPTING ANY REPAIRS ON THIS OIL/WATER/SOLIDS SEPARATOR!

SAFETY WARNINGS

1. Serious injury or death could occur if the Oil/Water/Solids Separator is not properly grounded. Your Oil/Water/Solids Separator is powered by electricity and may cause electric shock or electrocution if not installed properly. Installation to this unit, including all electrical connections, must comply with all local, state and national codes. Any electrical wiring or repairs performed on this Oil/Water/Solids Separator should be done by Authorized Service Personnel in accordance with National and Local electrical codes.
2. NEVER alter or modify the equipment. Use only genuine Mi-T-M parts for repair of your Oil/Water/Solids Separator. Failure to do so can cause hazardous operating conditions and will VOID warranty.
3. Know how to stop and bleed pressures quickly. Be thoroughly familiar with controls. Do not operate without protective cover/guards. Follow the maintenance instructions specified in your operator's manual.
4. Before servicing, ALWAYS shut off the water and the unit. NEVER assume the Oil/Water/Solids Separator is safe to work on just because it is not operating. It could restart at any time! ALWAYS disconnect from the power source. Service in a clean, dry, flat area.
5. Be especially careful it properly dispose of any flammable materials. Consult Materials Safety Data Sheets for safe handling of chemicals used with your system, especially oxidizers and acids.

Table of Contents

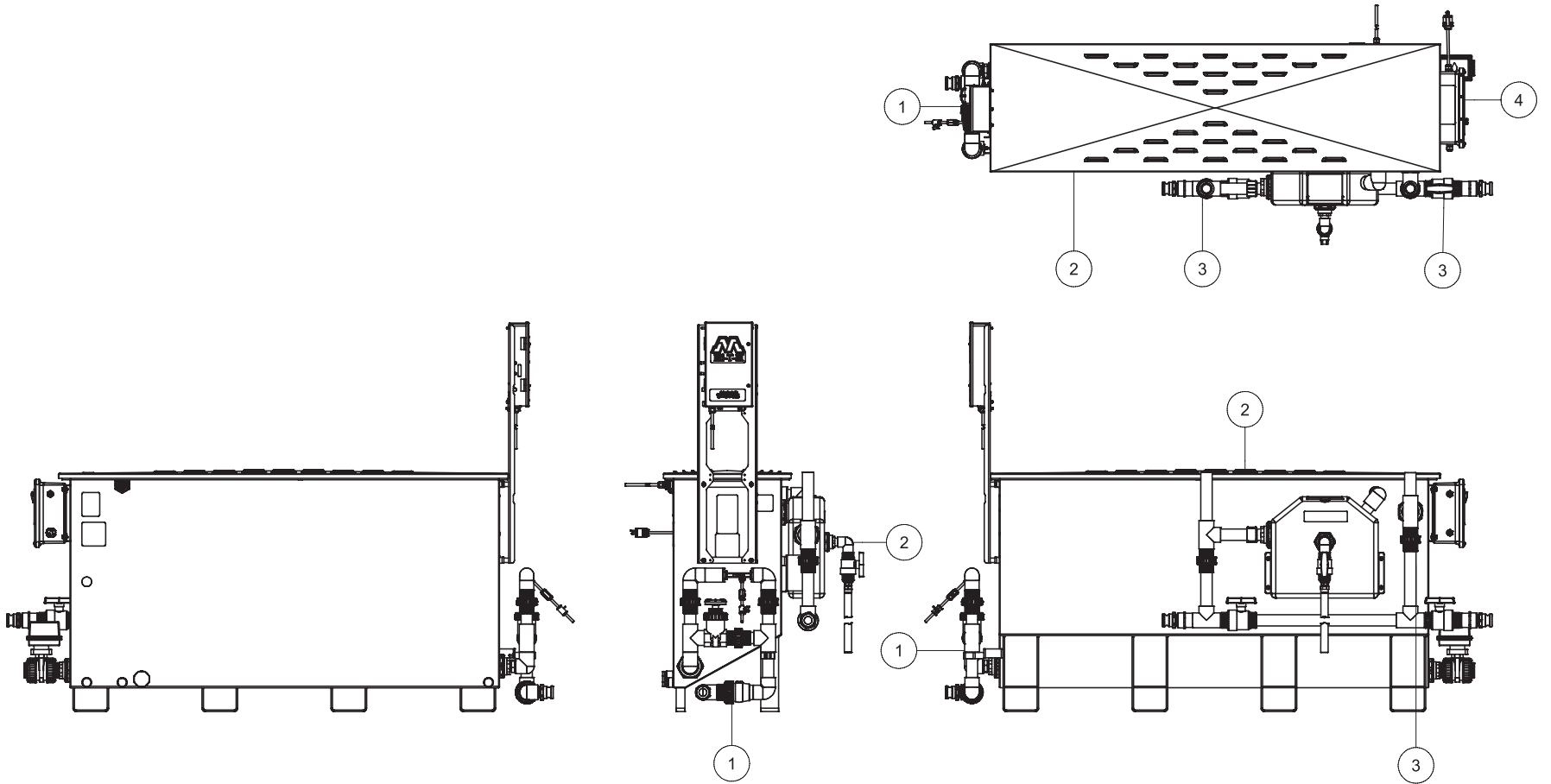
NOTES	4
NOTES	5
MAIN ASSEMBLY	6
PLUMBING: INLET ASSEMBLY (AFTER SERIAL #30007576)	8
TANK ASSEMBLY	10
OIL DECANter ASSEMBLY	12
PLUMBING: MAIN DRAIN ASSEMBLY	14
OZONE GENERATOR (AFTER SERIAL #30007448)	16
OZONE GENERATOR MOUNTING	18
CONTROL PANEL ASSEMBLY SINGLE PHASE (AFTER SERIAL #30001300)	20
CONTROL PANEL ASSEMBLY THREE PHASE (AFTER SERIAL #30001300)	22
LADDER DIAGRAM (115V SINGLE PHASE)	24
WIRING SCHEMATIC (115V SINGLE PHASE)	25
LADDER DIAGRAM (230V SINGLE PHASE)	26
WIRING SCHEMATIC (230V SINGLE PHASE)	27
LADDER DIAGRAM (208-230V/460V THREE PHASE)	28
WIRING SCHEMATIC (208-230V/460V THREE PHASE)	29
AUTO DISCHARGE (WX-00001)	30

NOTES

DATE	SERIAL NUMBER	REASON FOR CHANGE
2009	30001300	CHANGED TO CSA
10/2015	30007448	NEW OZONE GENERATOR
04/2016	30007576	CHANGED INLET PLUMBING

NOTES

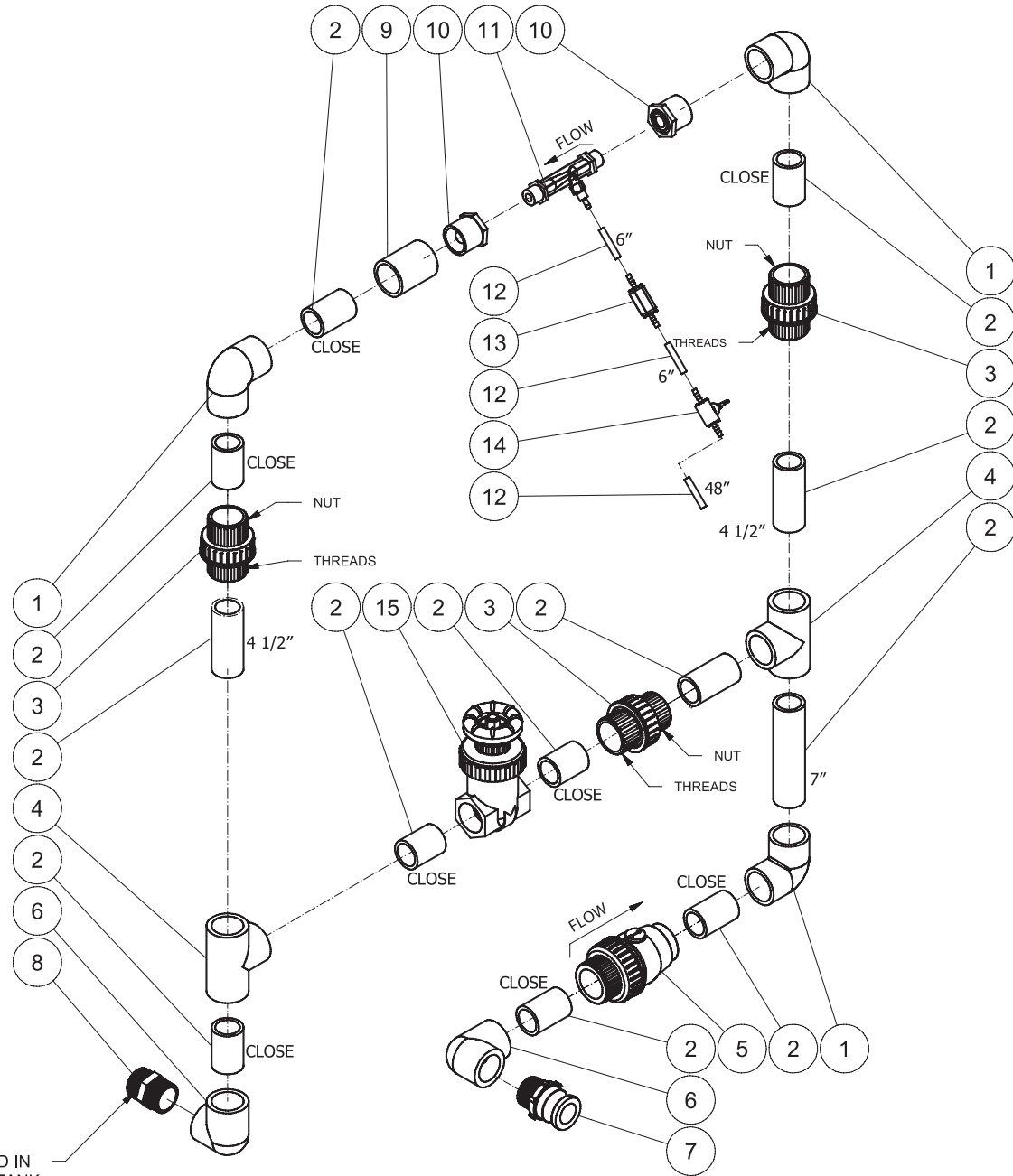
MAIN ASSEMBLY



WOS-15-0M10 101016 MLK

WOS-15-0M10 101016 MLK			
MAIN ASSEMBLY			
ITEM	DESCRIPTION	PART #	QTY
1	INLET ASSEMBLY	N/A SEP.	1
2	TANK ASSEMBLY	N/A SEP.	1
3	DRAIN ASSEMBLY	N/A SEP.	1
4	CONTROL BOX ASSEMBLY	N/A SEP.	1

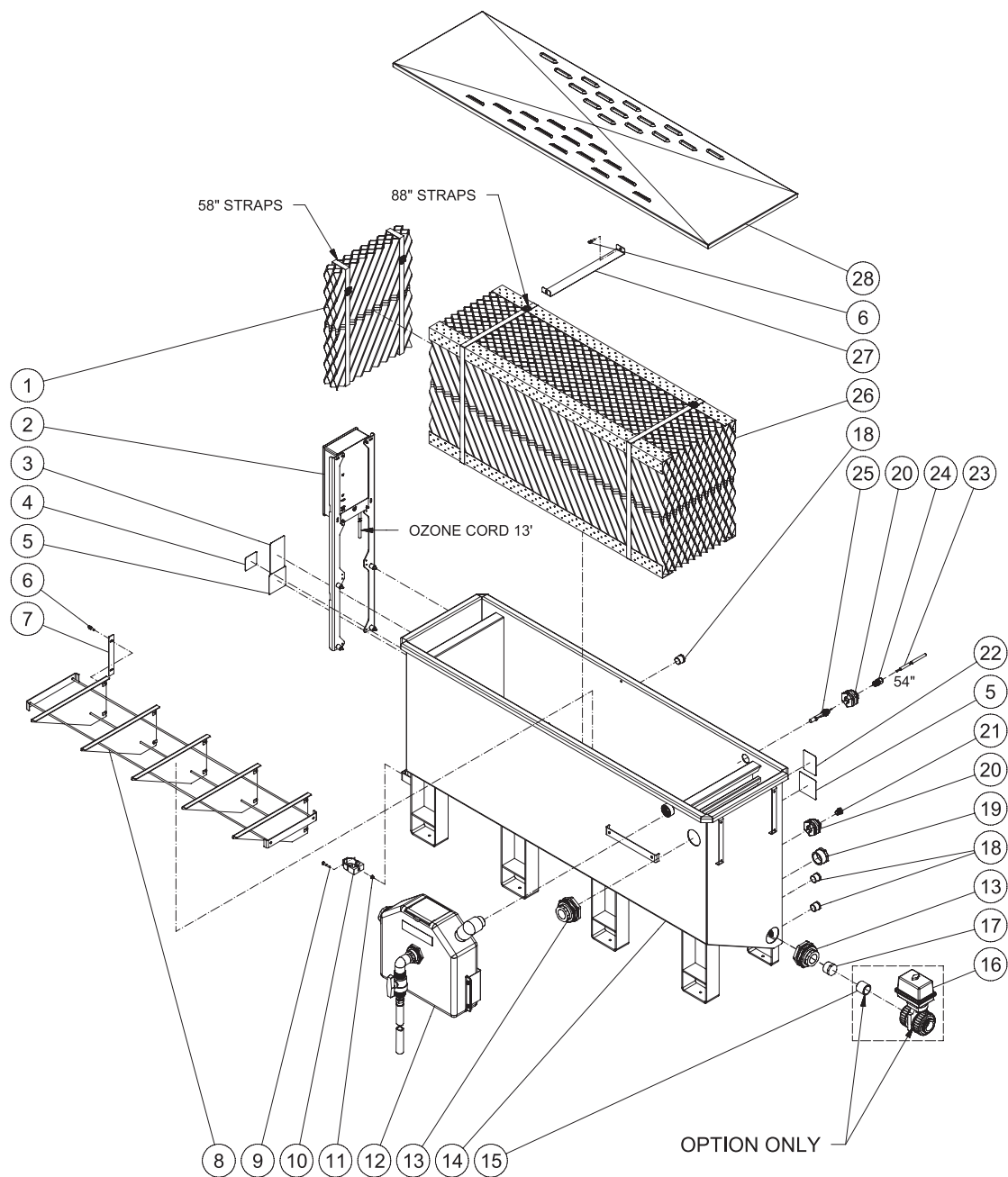
PLUMBING: INLET ASSEMBLY (AFTER SERIAL #30007576)



INLET ASSEMBLY - WOS-15-0M10 120616 MLK

INLET ASSEMBLY WOS-15-0M10_30 120616 MLK			
PLUMBING: INLET ASSEMBLY			
ITEM	DESCRIPTION	PART #	QTY
1	ELBOW	55-1609	3
2	*PIPE 1 1/2" *(FOUR FEET REQUIRED)	55-1600	1
3	UNION	55-1645	3
4	TEE	55-1601	2
5	CHECK VALVE	55-1652	1
6	ELBOW	55-1610	2
7	ADAPTER	55-0024	1
8	NIPPLE	55-1677	1
9	COUPLER	55-1614	1
10	REDUCER	55-1631	2
11	SMALL MAZZEI	55-0059	1
12	HOSE *(FIVE FEET REQUIRED)	15-0226	1
13	CHECK VALVE	22-0286	1
14	VALVE	22-0074	1
15	GATE VALVE	55-1671	1
*MUST ORDER IN ONE FOOT LENGTHS			

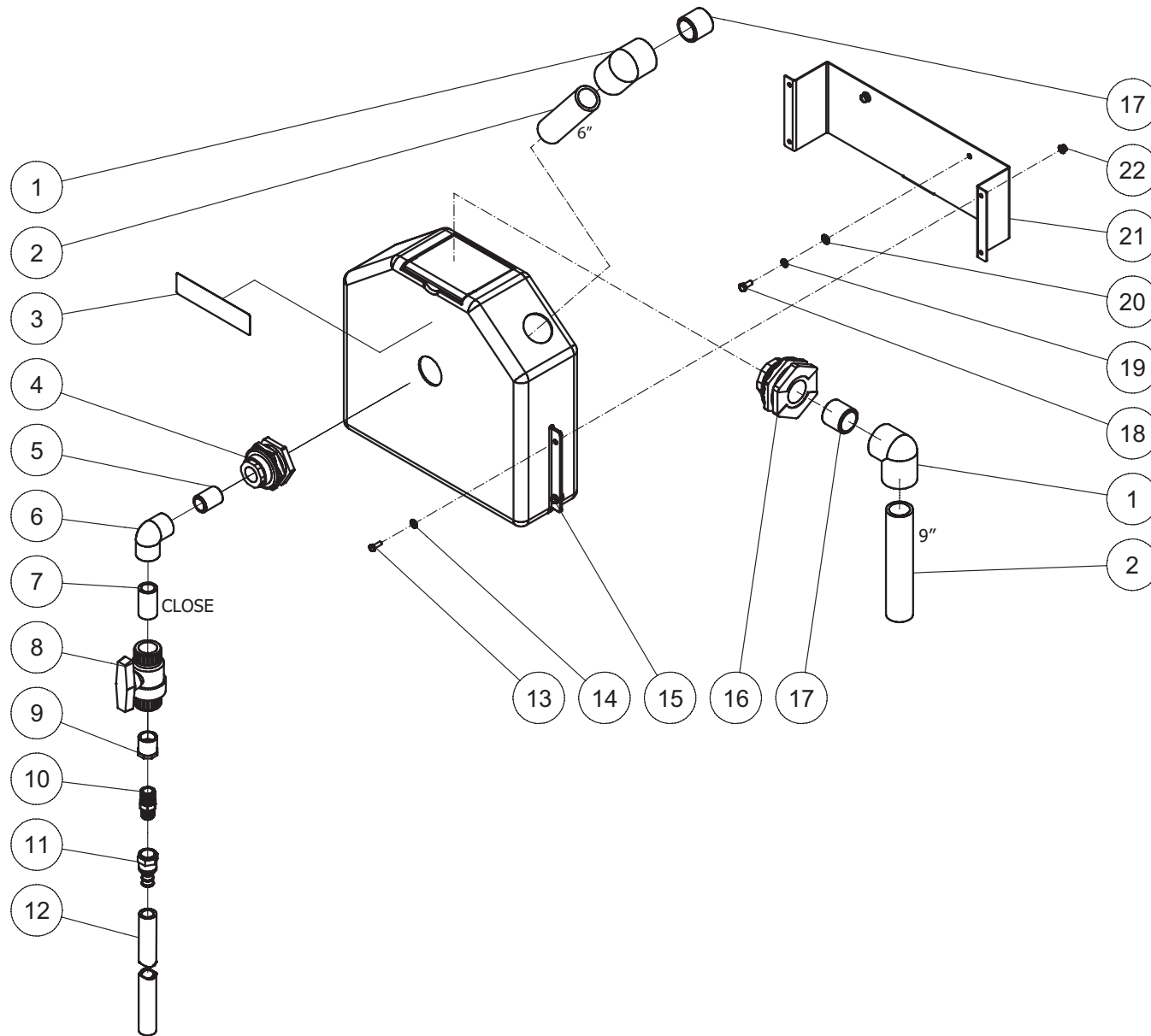
TANK ASSEMBLY



TANK ASSEMBLY - WOS-15-0M10 100416 MLK

TANK ASSEMBLY			
ITEM	DESCRIPTION	PART #	QTY
1	COALESCING PACK	855-0002	1
2	OZONE GENERATOR ASSY.	N/A SEP.	1
3	DECAL - ELEC/ INHALATION (SEE 71-0103)	N/A	1
4	DECAL - INHALATION HAZARD (SEE 71-0103)	N/A	1
5	DECAL - NONPOTABLE WATER (SEE 71-0103)	N/A	2
6	THUMB SCREW	27-6200	12
7	BAFFLE PLATE	21-0121	5
8	BAFFLE ASSY.	21-0115	1
9	BOLT	27-5031	1
10	CLAMP	42-0026	1
11	NUT	30-5202	1
12	OIL DECANter	N/A SEP.	1
13	BULKHEAD (INC. 25-0481 GASKET)	55-1686	3
14	TANK	12-0079	1
15	NIPPLE (FOR WX-0001 ONLY)	55-1674	1
16	ELECTRIC VALVE (FOR WX-0001 ONLY)	55-0025	1
17	PLUG	55-1640	1
18	PLUG	55-1240	3
19	PLUG	55-1840	1
20	BULKHEAD (INC. 25-0506 GASKET)	55-0886	2
21	PLUG	55-0840	1
22	DECAL - DATA PLATE	34-1138	1
23	CORD *(FIVE FEET REQUIRED)	32-0075	1
24	STRAIN RELIEF	32-0437	1
25	SWITCH	32-0533	1
26	COALESCING PACK	855-0010	1
27	BRACKET	21-0109	1
28	LID	56-0028	1
-	DECAL SET	71-0103	1
*MUST ORDER IN ONE FOOT LENGTHS			

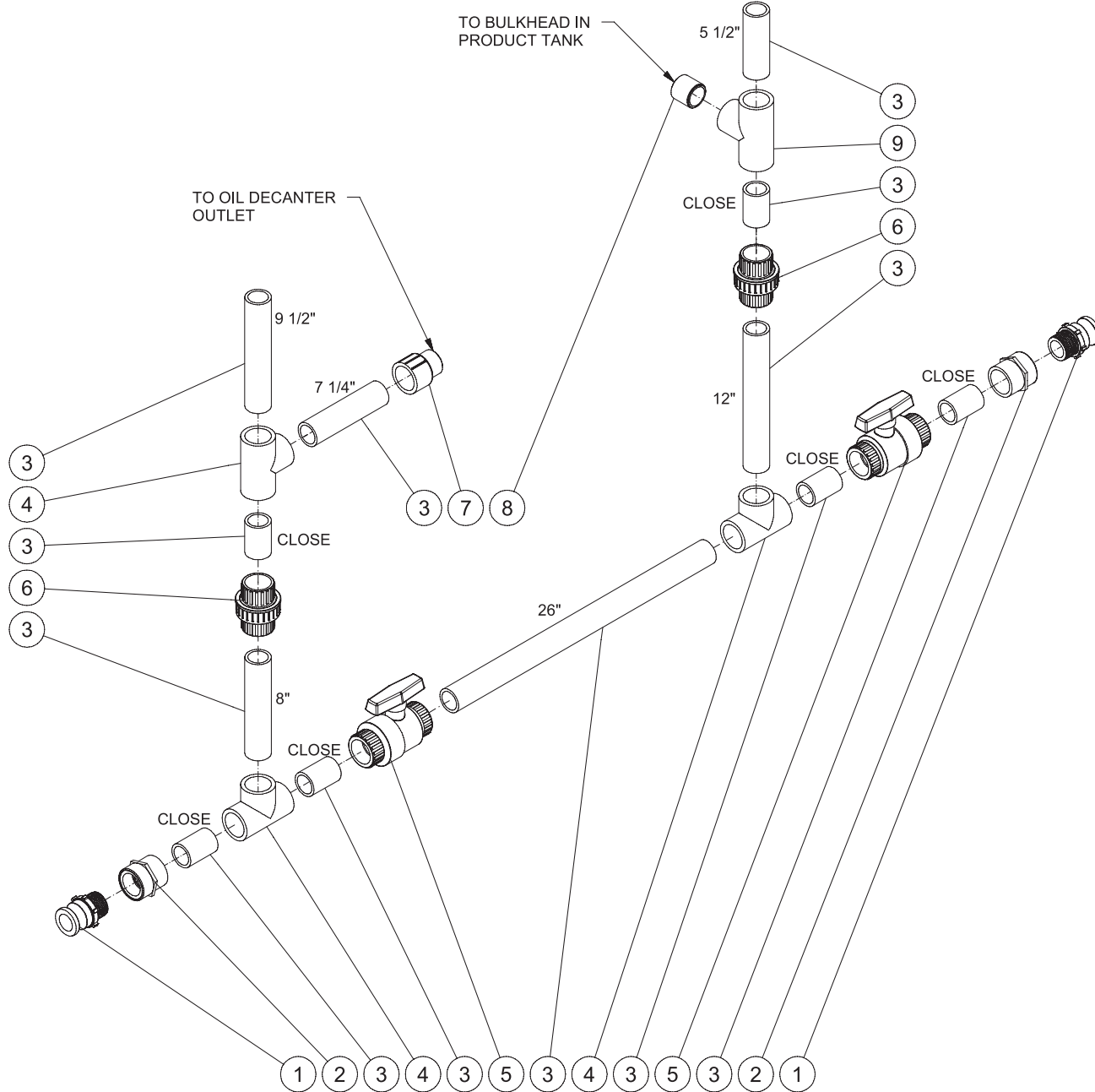
OIL DECANTER ASSEMBLY



OIL DECANTER ASSEMBLY 101416 MLK

OIL DECANTER 100416 MLK			
OIL DECANTER			
ITEM	DESCRIPTION	PART #	QTY
1	ELBOW	55-1610	2
2	*PIPE 1 1/2" *(ONE FOOT REQUIRED)	55-1600	2
3	DECAL - OIL DECANTER *(SEE 71-0103)	N/A	1
4	BULKHEAD (INC. 25-0482 GASKET)	55-1286	1
5	NIPPLE	55-1274	1
6	ELBOW	55-1210	1
7	*PIPE 1" *(ONE FOOT REQUIRED)	55-1200	1
8	BALL VALVE	55-1255	1
9	REDUCER	55-1228	1
10	NIPPLE	23-0362	1
11	HOSE BARB	23-0358	1
12	HOSE *(SEVEN FEET REQUIRED)	15-0033	1
13	BOLT	27-5016	4
14	WASHER	28-0121	4
15	TANK	12-0124	1
16	BULKHEAD (INC. 25-0481 GASKET)	55-1686	1
17	NIPPLE	55-1674	2
18	BOLT	27-5066	2
19	LOCKWASHER	29-1007	2
20	WASHER	28-0122	2
21	BRACKET	21-0172	1
22	NUT	30-5202	4
*MUST ORDER IN ONE FOOT LENGTHS			

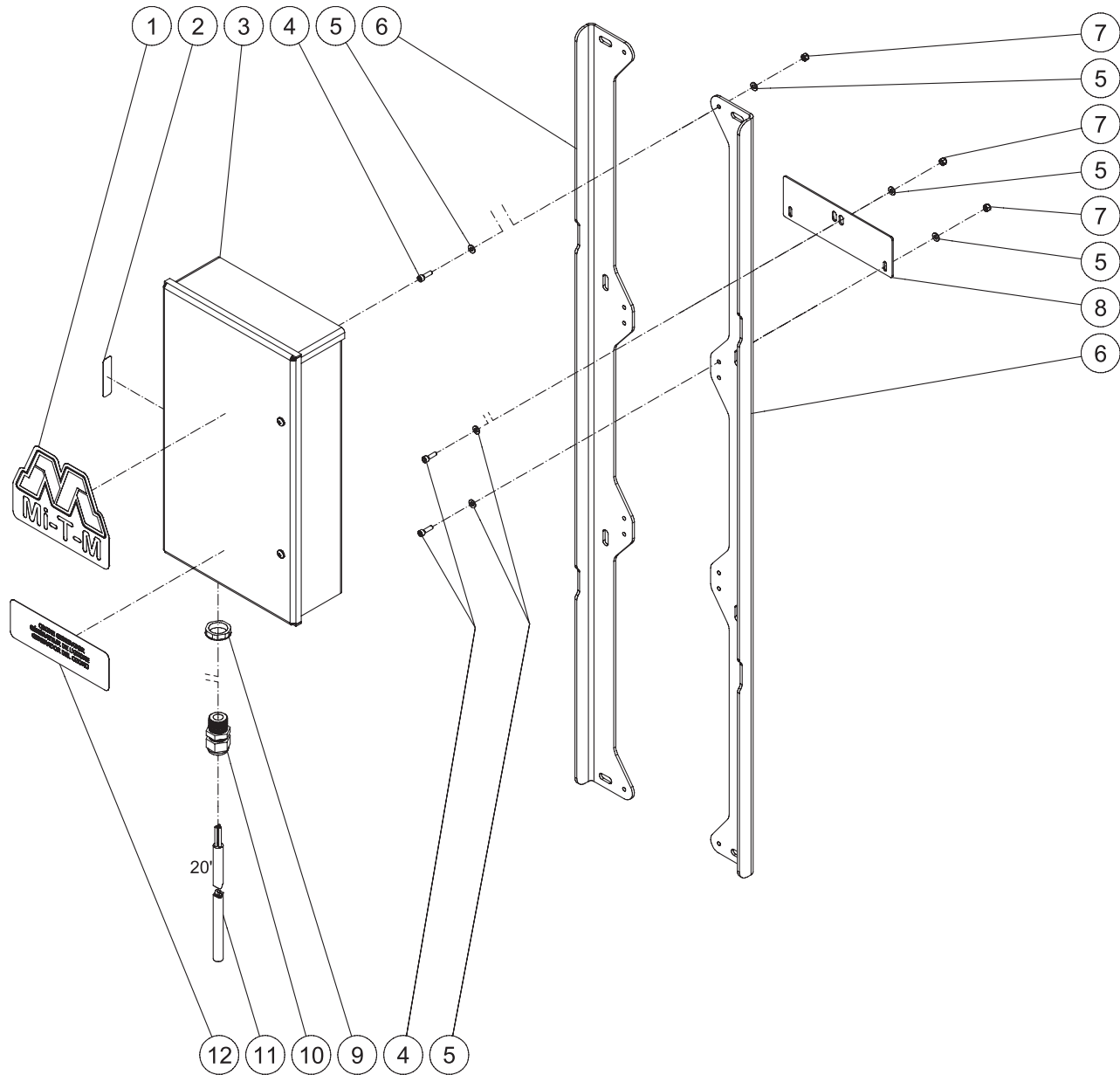
PLUMBING: MAIN DRAIN ASSEMBLY



DRAIN ASSEMBLY - WOS-15-0M10_30 101016 MLK

DRAIN ASSEMBLY WOS-15-0M10_30 101016			
DRAIN ASSEMBLY			
ITEM	DESCRIPTION	PART #	QTY
1	ADAPTER	55-0024	2
2	FEMALE ADAPTER	55-1621	2
3	*PIPE 1 1/2" *(EIGHT FEET REQUIRED)	55-1600	1
4	TEE	55-1601	3
5	BALL VALVE	55-1655	2
6	UNION - INCLUDES O-RING (25-0448)	55-1645	2
7	ADAPTER	55-1622	1
8	NIPPLE	55-1674	1
9	TEE	55-1607	1
*MUST ORDER IN ONE FOOT LENGTHS			

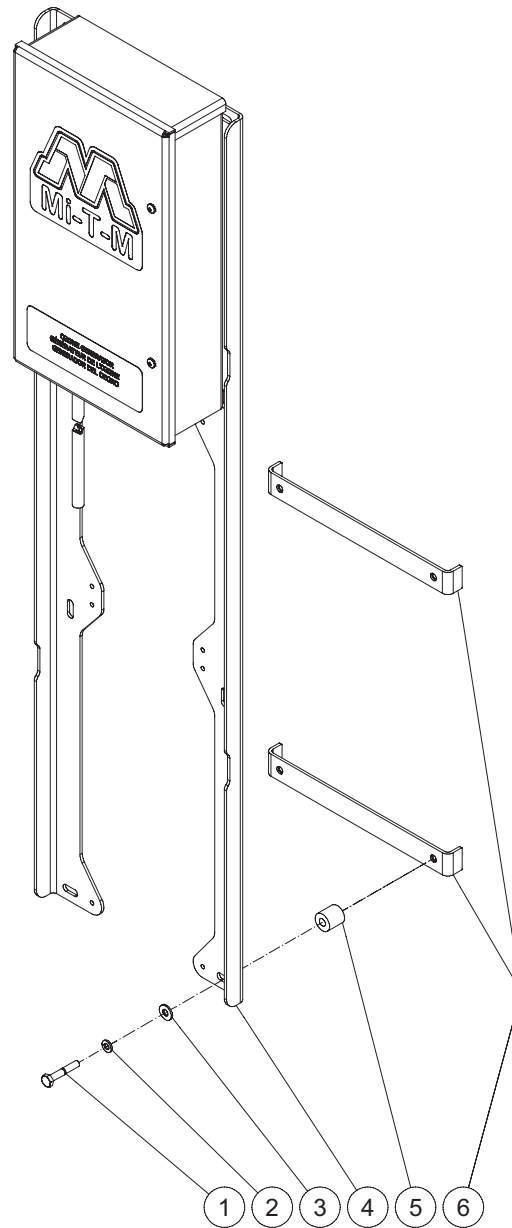
OZONE GENERATOR (AFTER SERIAL #30007448)



855-0045_7 040816 MLK

855-0045_7 040816 040816 MLK			
OZONE GENERATOR			
ITEM	DESCRIPTION	PART #	QTY
1	DECAL - Mi-T-M	34-2169	1
2	DECAL	N/A	1
3	OZONE GENERATOR (855-0045)	32-1192	1
-	OZONE GENERATOR (855-0047)	32-1193	1
4	SCREW	27-8835	5
5	WASHER	28-0010	10
6	BRACKET	20-1444A18	2
7	LOCKNUT	30-8152	5
8	FIT PLATE	20-1445A18	1
9	ELECTRICAL LOCKNUT	32-0108	1
10	STRAIN RELIEF	32-0437	1
11	CORD *(TWENTY FEET REQUIRED)	32-0074	1
12	OZONE DECAL	34-2115	1
*MUST ORDER IN ONE FOOT LENGTHS			

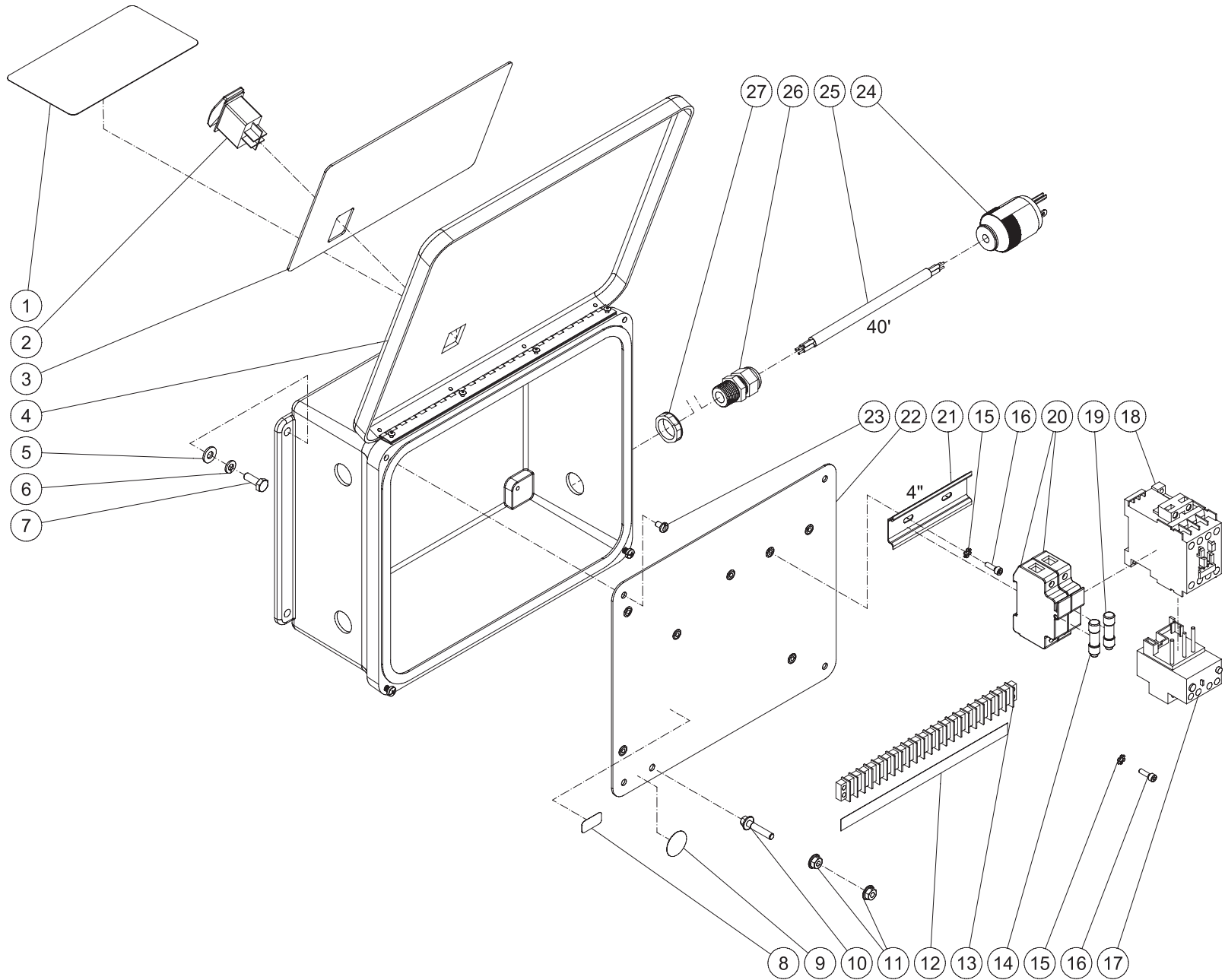
OZONE GENERATOR MOUNTING



OZONE GENERATOR MOUNTING SS TANKS 102815 MLK

OZONE GENERATOR MOUNTING 102815 MLK			
OZONE GENERATOR MOUNTING (STAINLESS STEEL TANKS)			
ITEM	DESCRIPTION	PART #	QTY
1	BOLT (WLP , WOS)	27-5031	4
-	BOLT (BIO'S)	27-5016	4
2	LOCKWASHER	29-1006	4
3	WASHER	28-0121	4
4	OZONE GENERATOR ASSEMBLY	N/A SEP.	1
5	SPACER (WLP , WOS)	33-0358	4
6	ELECTRICAL BRACKET	--	2

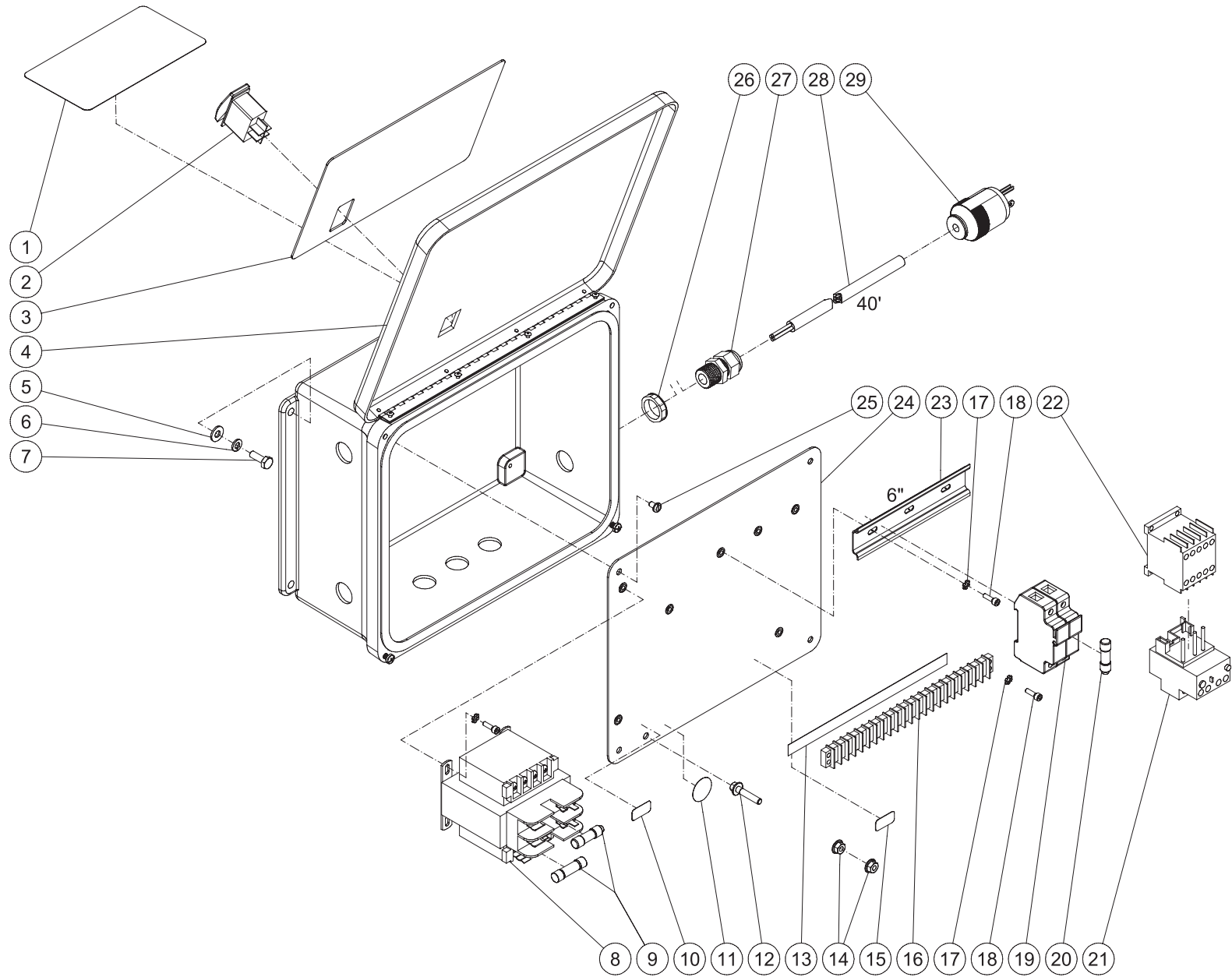
CONTROL PANEL ASSEMBLY 120V SINGLE PHASE (AFTER SERIAL #30001300)



CONTROL BOX ASSEMBLY - WOS-15_30-0M10 100516

CONTROL BOX ASSEMBLY WOS-15_30-0M10 100516 MLK			
CONTROL BOX ASSEMBLY			
ITEM	DESCRIPTION	PART #	QTY
1	DECAL - RISK OF ELECTROCUTION (SEE 71-0103)	N/A	1
2	ROCKER SWITCH	32-0669	1
3	DECAL - OPERATING INSTRUCTIONS (SEE 71-0103)	N/A	1
4	CONTROL BOX	32-046101	1
5	WASHER	28-0121	4
6	LOCKWASHER	29-1006	4
7	BOLT	27-5016	4
8	DECAL - 115 VOLT (SEE 71-0103)	N/A	1
9	DECAL- GROUND PICTORIAL (SEE 71-0103)	N/A	1
10	BOLT	27-8898	1
11	NUT	30-3022	2
12	DECAL - TERMINAL STRIP (SEE 71-0103)	N/A	1
13	TERMINAL STRIP	32-0463	1
14	FUSE	32-1027	1
15	STAR WASHER	28-1009	4
16	SCREW	27-8835	4
17	OVERLOAD RELAY	32-0482	1
18	CONTACTOR 23A 4 POLE	32-0477	1
19	FUSE	32-0740	1
20	FUSE HOLDER	32-0473	2
21	DIN RAIL *(ONE FOOT REQUIRED)	32-0316	1
22	ELECTRICAL PLATE	20-0485A06	1
23	SCREW	27-8933	4
24	PLUG	32-0026	1
25	CORD *(FORTY FEET REQUIRED)	32-0445	1
26	STRAIN RELIEF	32-0437	4
27	ELECTRICAL LOCKNUT	32-0108	4
-	DECAL SET	71-0103	1
*MUST ORDER IN ONE FOOT LENGTHS			

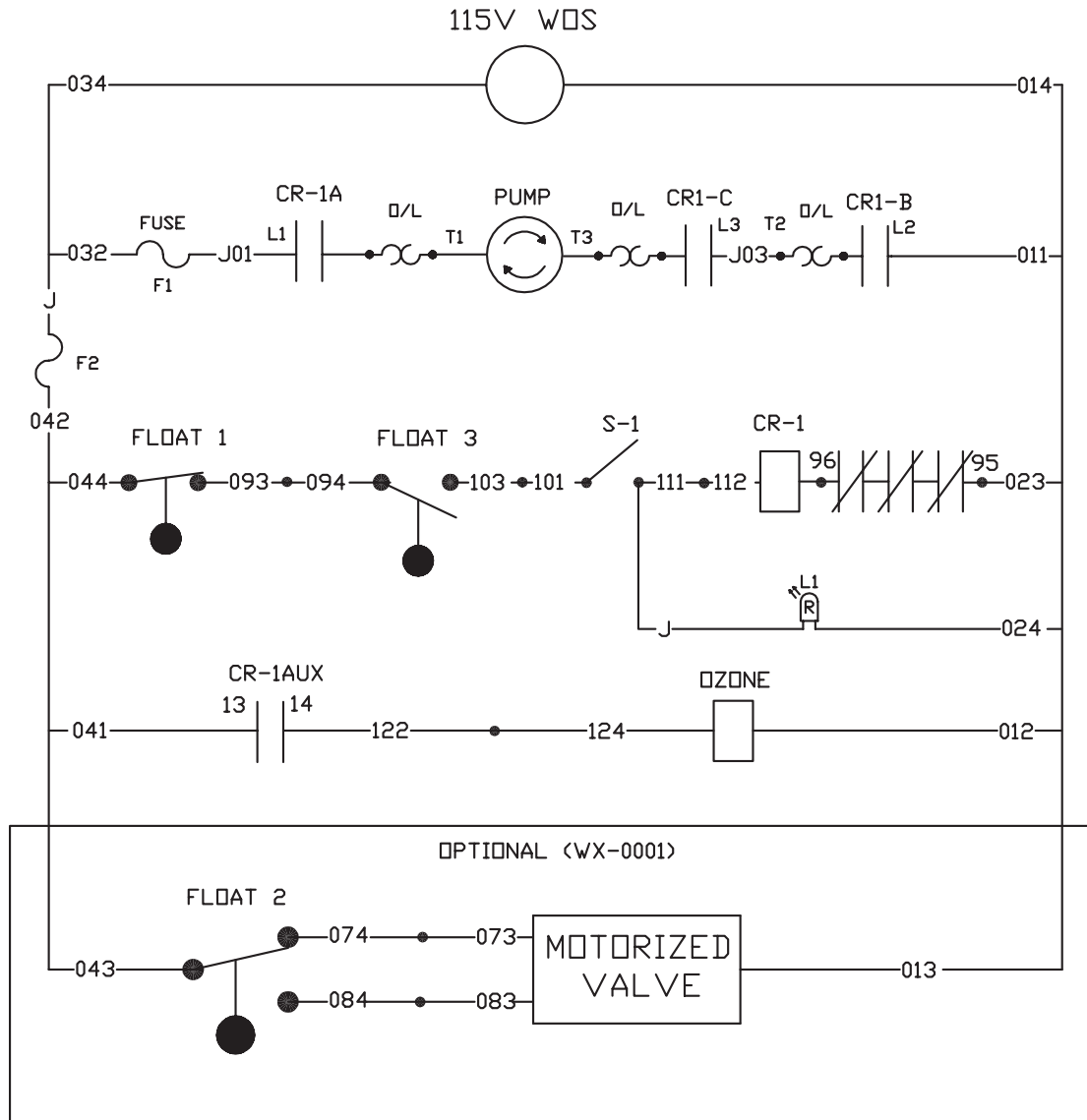
CONTROL PANEL ASSEMBLY 230V SINGLE PHASE AND 208/230/460V THREE PHASE (AFTER SERIAL #30001300)



CONTROL BOX ASSEMBLY - WOS-15_30-0M30 100516

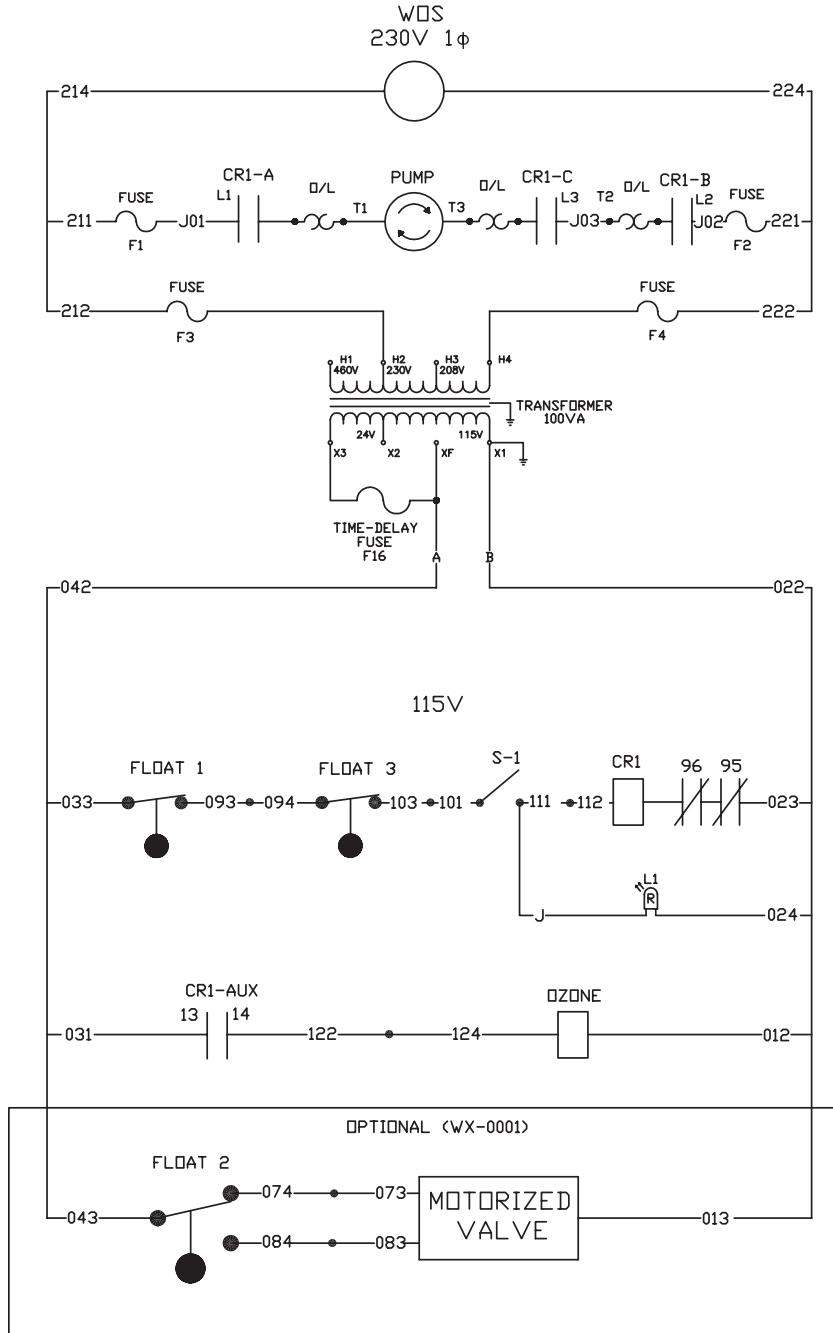
CONTROL BOX ASSEMBLY WOS-15_30-0M30 100516 MLK			
CONTROL BOX ASSEMBLY			
ITEM	DESCRIPTION	PART #	QTY
1	DECAL - RISK OF ELECTROCUTION (SEE 71-0103)	N/A	1
2	ROCKER SWITCH	32-0669	1
3	DECAL - OPERATING INSTRUCTIONS (SEE 71-0103)	N/A	1
4	CONTROL BOX	32-046101	1
5	WASHER	28-0121	4
6	LOCKWASHER	29-1006	4
7	BOLT	27-5016	4
8	TRANSFORMER	32-0735	1
9	PRIMARY TRANSFORMER FUSE (1Ø 230V, 3Ø 208/230V)	32-0740	2
-	SECONDARY TRANSFORMER FUSE (1Ø 230V, 3Ø 208V, 3Ø 230V, 3Ø 460V)	32-1028	1
-	PRIMARY TRANSFORMER FUSE (3Ø 460V)	32-0467	2
10	DECAL - 115 VOLT (SEE 71-0103)	N/A	1
11	DECAL- GROUND PICTORIAL (SEE 71-0103)	N/A	1
12	BOLT	27-8898	1
13	DECAL - TERMINAL STRIP (SEE 71-0103)	N/A	1
14	NUT	30-3022	2
15	DECAL - 230 VOLT (SEE 71-0103)	N/A	1
16	TERMINAL STRIP	32-0463	1
17	STAR WASHER	28-1009	6
18	SCREW	27-8835	6
19	FUSE HOLDER (1Ø 230V)	32-1006	1
-	FUSE HOLDER (3Ø)	32-1007	1
20	FUSE (1Ø 230V)	32-1026	2
-	FUSE (3Ø 280/230V)	32-1024	3
-	FUSE (3Ø 460V)	32-1023	3
21	OVERLOAD (1Ø 230V)	32-1016	1
-	OVERLOAD (3Ø 208/230V)	32-1013	1
-	OVERLOAD (3Ø 460V)	32-1011	1
22	CONTACTOR	32-1009	1
23	DIN RAIL *(ONE FOOT REQUIRED)	32-0316	1
24	ELECTRICAL PLATE	20-0485A06	1
25	SCREW	27-8933	4
26	ELECTRICAL LOCKNUT	32-0108	7
27	STRAIN RELIEF	32-0437	7
28	CORD *(FORTY FEET REQUIRED) (3Ø)	32-0247	1
-	CORD *(FORTY FEET REQUIRED) (1Ø 230V)	32-0074	1
29	PLUG 230V (1Ø 230V)	32-0738	1
-	DECAL SET	71-0103	1
*MUST ORDER IN ONE FOOT LENGTHS			

LADDER DIAGRAM (115V SINGLE PHASE)

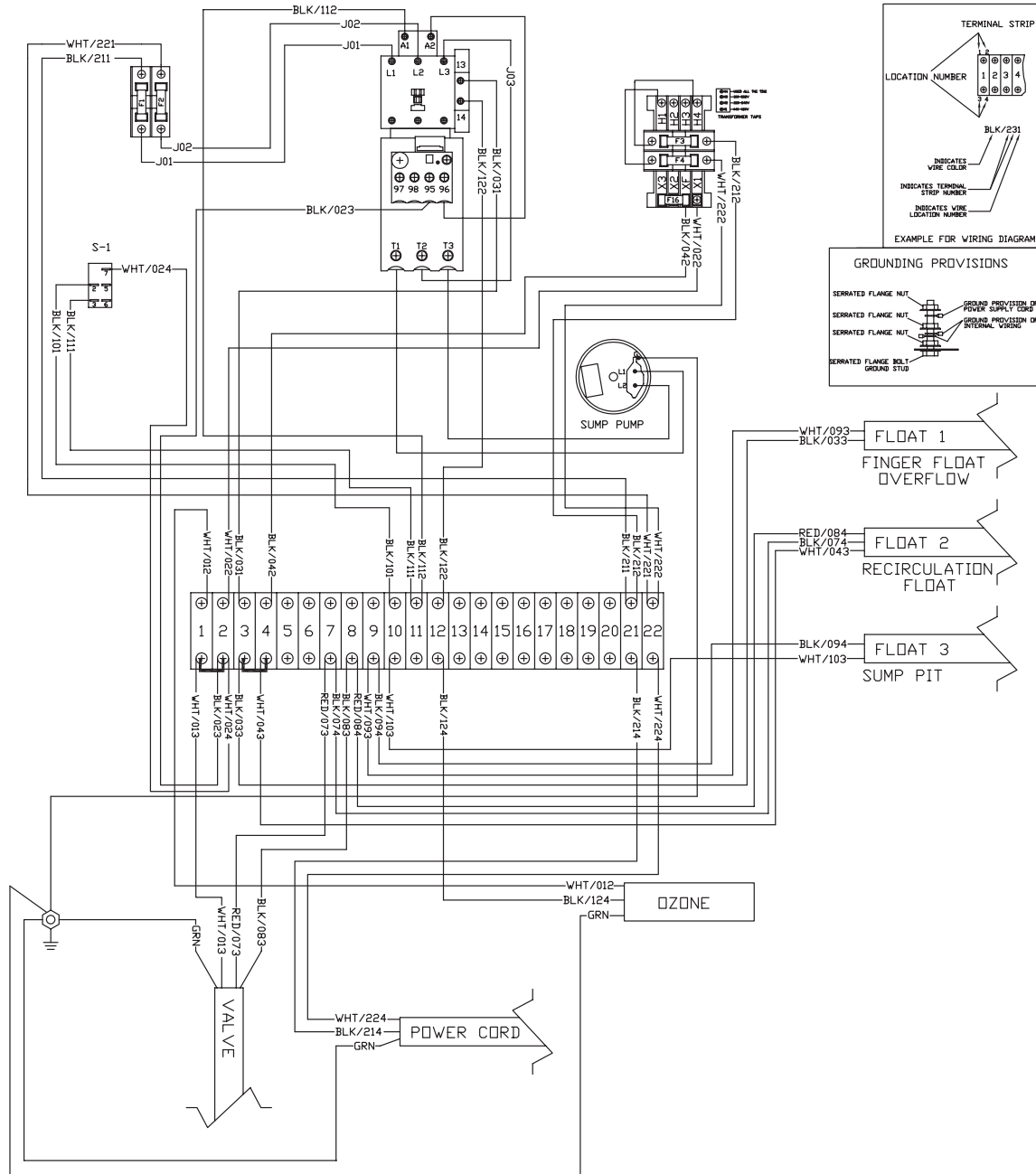


WIRING DIAGRAM - WOS-15_30-0M10 115V 051613 MLK

LADDER DIAGRAM (230V SINGLE PHASE)

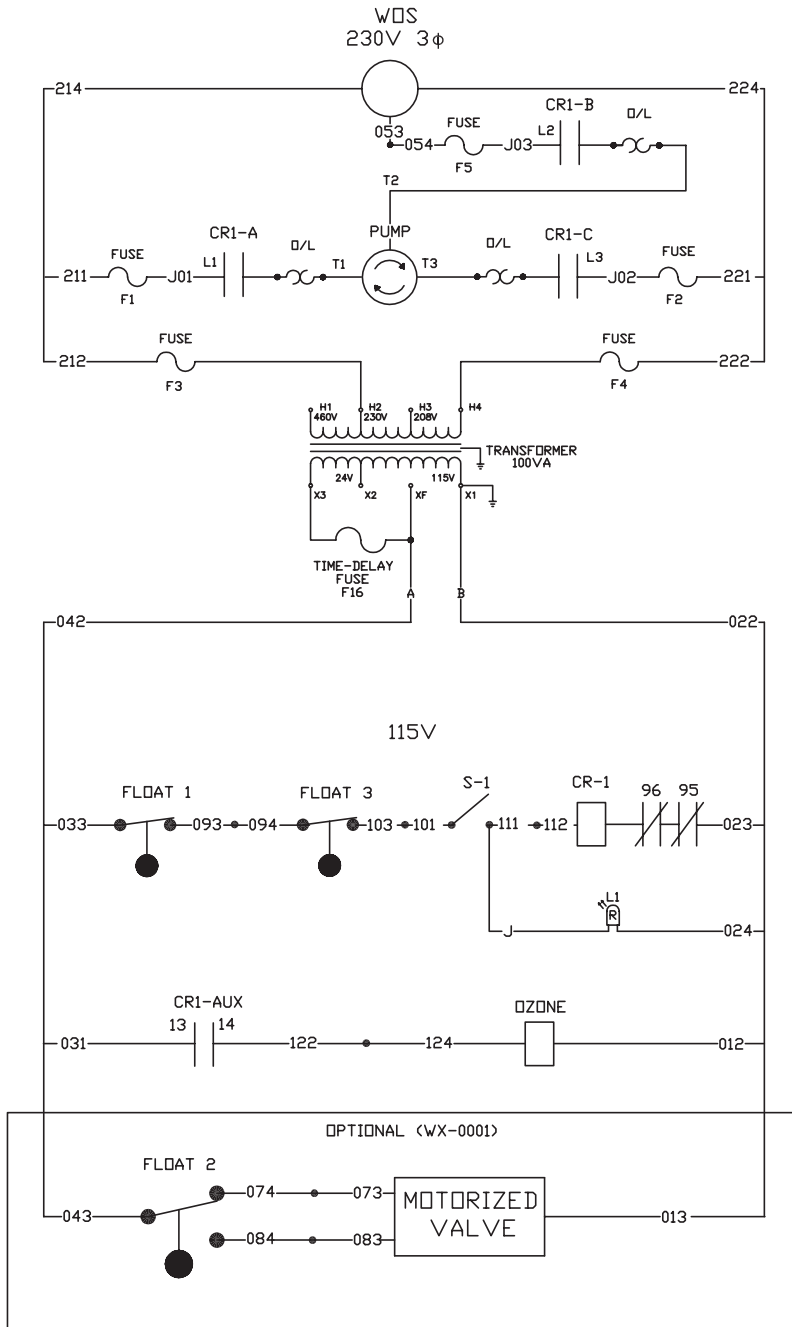


WIRING SCHEMATIC (230V SINGLE PHASE)



WIRE SCHEMATIC - WOS-15_30-0M10 230V 1PHASE

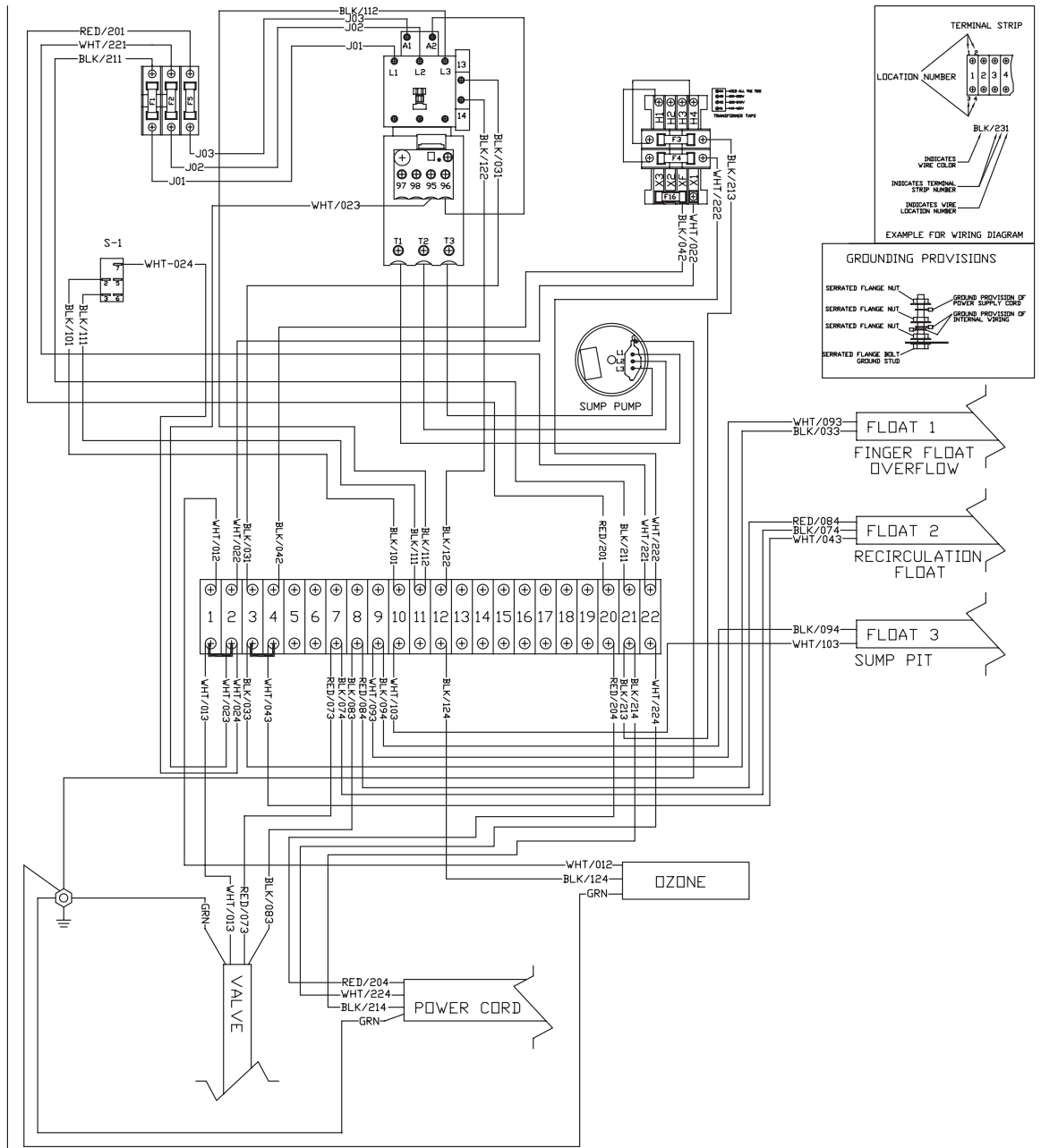
LADDER DIAGRAM (208-230V/460V THREE PHASE)



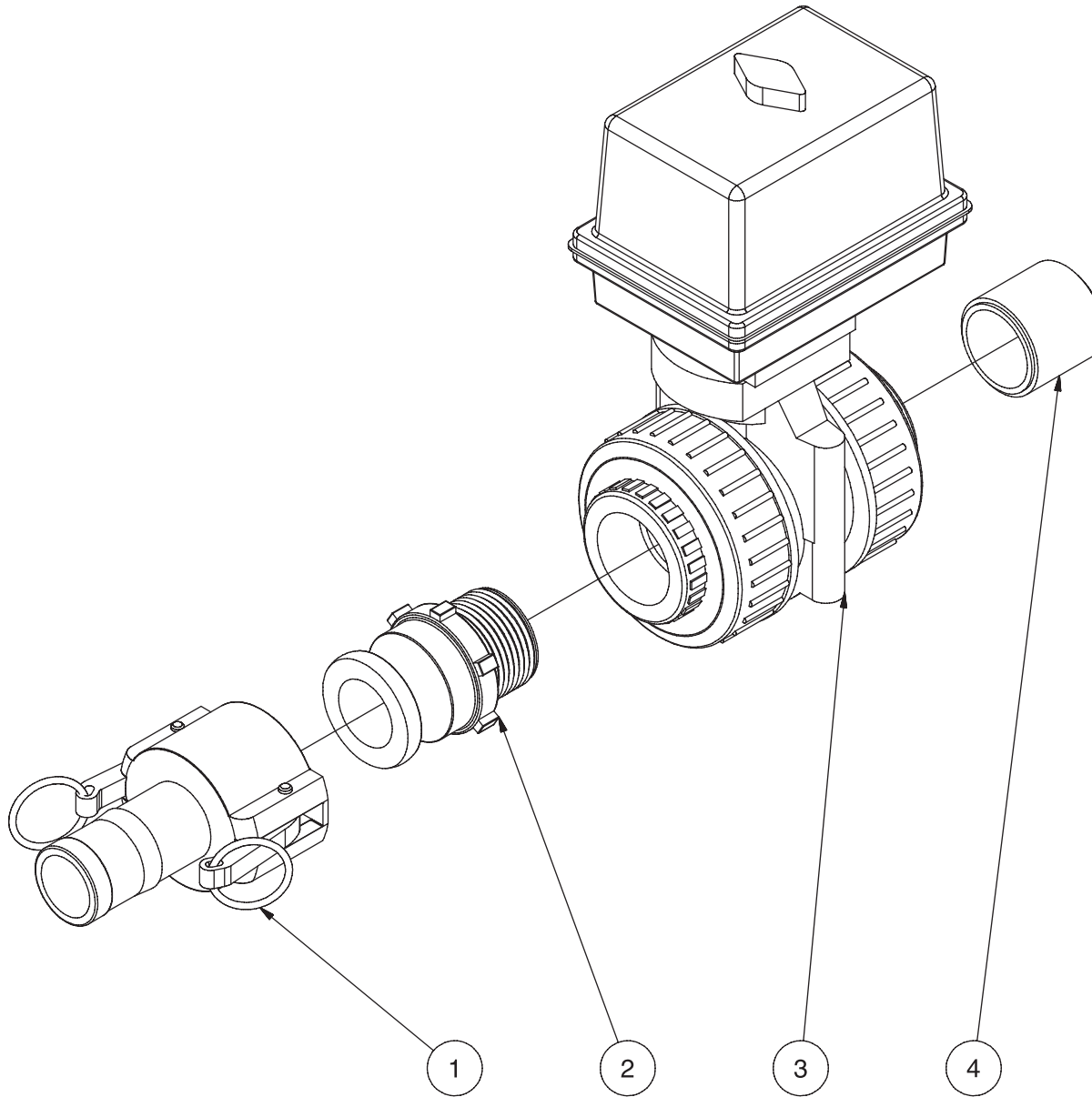
LADDER DIAGRAM - WOS-15_30-0M10 208-230_460V 3PHASE

WIRING SCHEMATIC (208-230V/460V THREE PHASE)

WIRE SCHEMATIC - WOS-15_30-0M10 208-230_460V 3PHASE



AUTO DISCHARGE (WX-00001)



WX-0001-071305-ASY

WX-0001-071305-ASY

AUTO DISCHARGE (WX-0001)			
REF. #	DESCRIPTION	PART#	QTY.
1	Cam and Groove Coupler	55-0053	1
2	Cam and Groove Adapter	55-0024	1
3	Ball Valve	55-0025	1
4	Nipple	55-1674	1

Manufactured by Mi-T-M
8650 Enterprise Drive, Peosta IA 52068
563-556-7484/ Fax 563-556-1235