



PARTS LIST FOR
WCL-30S-0M10
WATER TREATMENT SYSTEM
(AFTER SERIAL #30006358)

Congratulations on the purchase of your new Mi-T-M Water Treatment System! This parts listing has been compiled for your benefit. You can be assured your Mi-T-M Water Treatment System was constructed and designed with quality and performance in mind. Each component has been rigorously tested to insure the highest level of acceptance.

The contents of this parts listing are based on the latest product information available at the time of publication. Mi-T-M reserves the right to make changes in price, color, materials, equipment, specifications or models at any time without notice.

WARNING

THIS IS A PROFESSIONAL WATER TREATMENT SYSTEM. CAUTION SHOULD BE OBSERVED WHEN USING OR REPAIRING THIS UNIT! READ AND FOLLOW THE SAFETY WARNINGS LISTED BELOW BEFORE ATTEMPTING ANY REPAIRS ON THIS WATER TREATMENT SYSTEM!

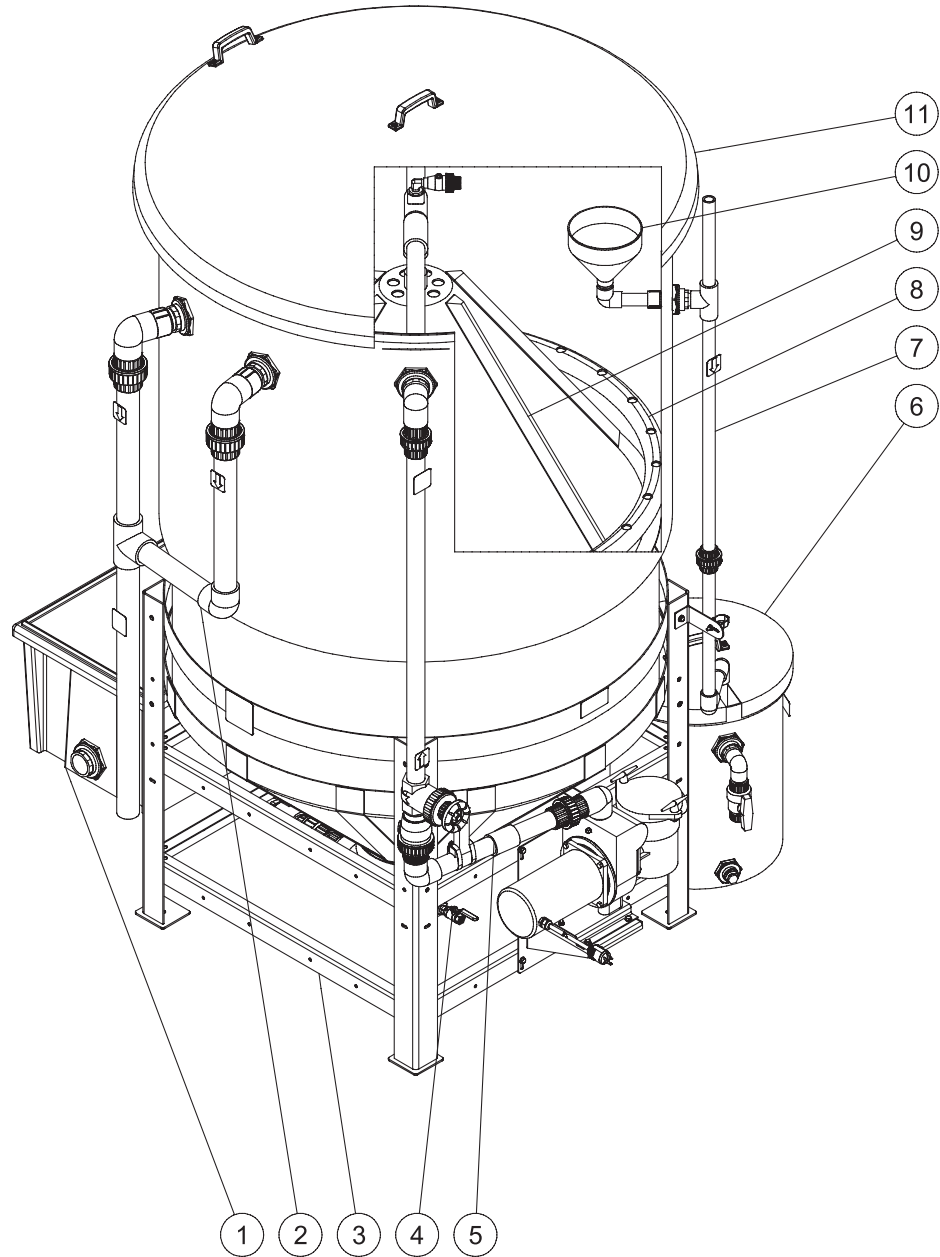
SAFETY WARNINGS

1. Serious injury or death could occur if the water treatment system is not properly grounded. Your water treatment system is powered by electricity and may cause electric shock or electrocution if not installed properly. Installation to this unit, including all electrical connections, must comply with all local, state and national codes. Any electrical wiring or repairs performed on this water treatment system should be done by Authorized Service Personnel in accordance with National and Local electrical codes.
2. NEVER alter or modify the equipment. Use only genuine Mi-T-M parts for repair of your water treatment system. Failure to do so can cause hazardous operating conditions and will VOID warranty.
3. Know how to stop and bleed pressures quickly. Be thoroughly familiar with controls. Do not operate without protective cover/guards. Follow the maintenance instructions specified in your operator's manual.
4. Before servicing, ALWAYS shut off the water and the unit. Allow the unit to cool down and drain the water. NEVER assume the water recycling treatment system is safe to work on just because it is not operating. It could restart at any time! ALWAYS disconnect from the power source. Service in a clean, dry, flat area.
5. Be especially careful to properly dispose of any flammable materials. Consult Materials Safety Data Sheets for safe handling of chemicals used with your system, especially oxidizers and acids.

Table of Contents

MAIN ASSEMBLY	4
CONE ASSEMBLY (AFTER SERIAL #30000296)	6
LID ASSEMBLY	8
TANK ASSEMBLY (AFTER SERIAL #30006358)	10
CLARIFIER OUTLET ASSEMBLY	12
DRAIN ASSEMBLY	14
INLET PLUMBING (AFTER SERIAL #30006358)	16
OIL SKIMMER OUTLET ASSEMBLY	18
OUTLET RING ASSEMBLY (AFTER SERIAL #30000122)	20
DECANTER TANK ASSEMBLY (855-0014)	22
SLUDGE BOX ASSEMBLY (855-0017)	24
SUMP PUMP (3-0328)	26
ACCESSORIES: PRODUCT TANK (80 GALLON) ASSEMBLY (855-0015)	28
ACCESSORIES: PRODUCT TANK (165 GALLON) ASSEMBLY (855-0016)	30

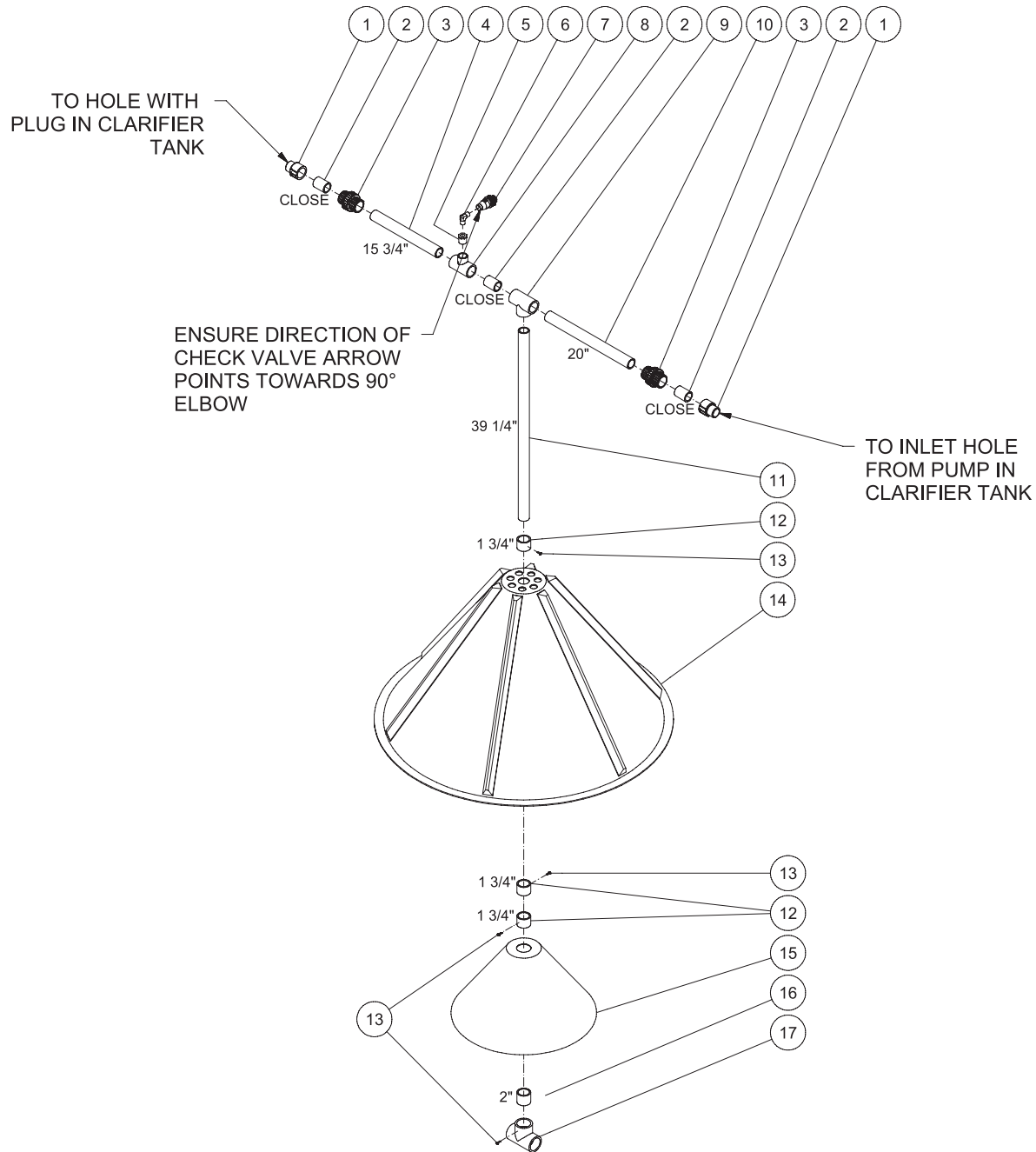
MAIN ASSEMBLY



WCL-30S-0M10 063014 MLK

WCL-30S-0M10 063014 MLK			
MAIN ASSEMBLY			
ITEM	DESCRIPTION	PART #	QTY
1	SLUDGE BOX ASSY	855-0017	1
2	CLARIFIER OUTLET ASSEMBLY	N/A SEP.	1
3	TANK ASSEMBLY	N/A SEP.	1
4	DRAIN ASSEMBLY - BIO-15-0M10	N/A SEP.	1
5	INLET PLUMBING ASSEMBLY	N/A SEP.	1
6	DECANTER TANK ASSEMBLY	855-0014	1
7	OIL SKIMMER OUTLET ASSEMBLY	N/A SEP.	1
8	OUTLET RING ASSEMBLY - WCL-30D-0M10	N/A SEP.	1
9	CONE ASSEMBLY	N/A SEP.	1
10	OIL SKIMMER	N/A SEP.	5
11	LID ASSEMBLY - WCL-30D-0M10	N/A SEP.	1

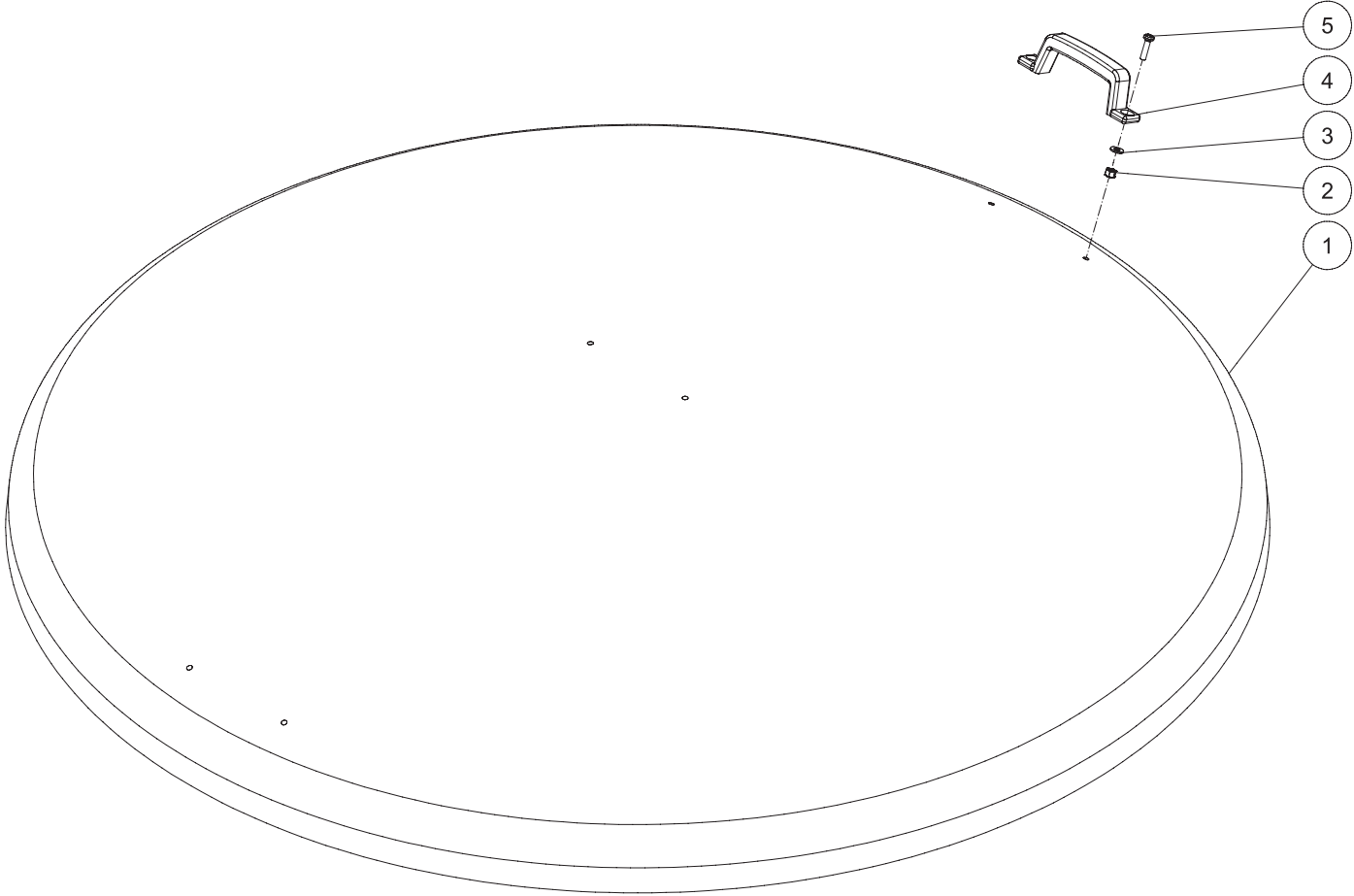
CONE ASSEMBLY (AFTER SERIAL #30000296)



CONE ASSEMBLY - WCL-30S-0M10 062514 MLK

CONE ASSEMBLY WCL-30S-0M10 062514 MLK			
CONE ASSEMBLY			
ITEM	DESCRIPTION	PART #	QTY
1	ADAPTER	55-1622	2
2	PIPE 1 -1/2"	55-1600	3
3	UNION	55-1645	2
4	PIPE 1-1/2"	55-1600	1
5	REDUCER	55-1229	1
6	ELBOW	23-0386	1
7	CHECK VALVE	55-0853	1
8	TEE	55-1603	1
9	TEE	55-1601	1
10	PIPE 1-1/2"	55-1600	1
11	PIPE 1-1-2"	55-1600	1
12	PIPE *(2" X 1 3/4")	55-1800	3
13	BOLT	27-3064	4
14	TOP CONE - 600 GAL.	33-0297	1
15	CONE	33-0334	1
16	PIPE *(2" X 2")	55-1800	1
17	TEE	55-1801	1

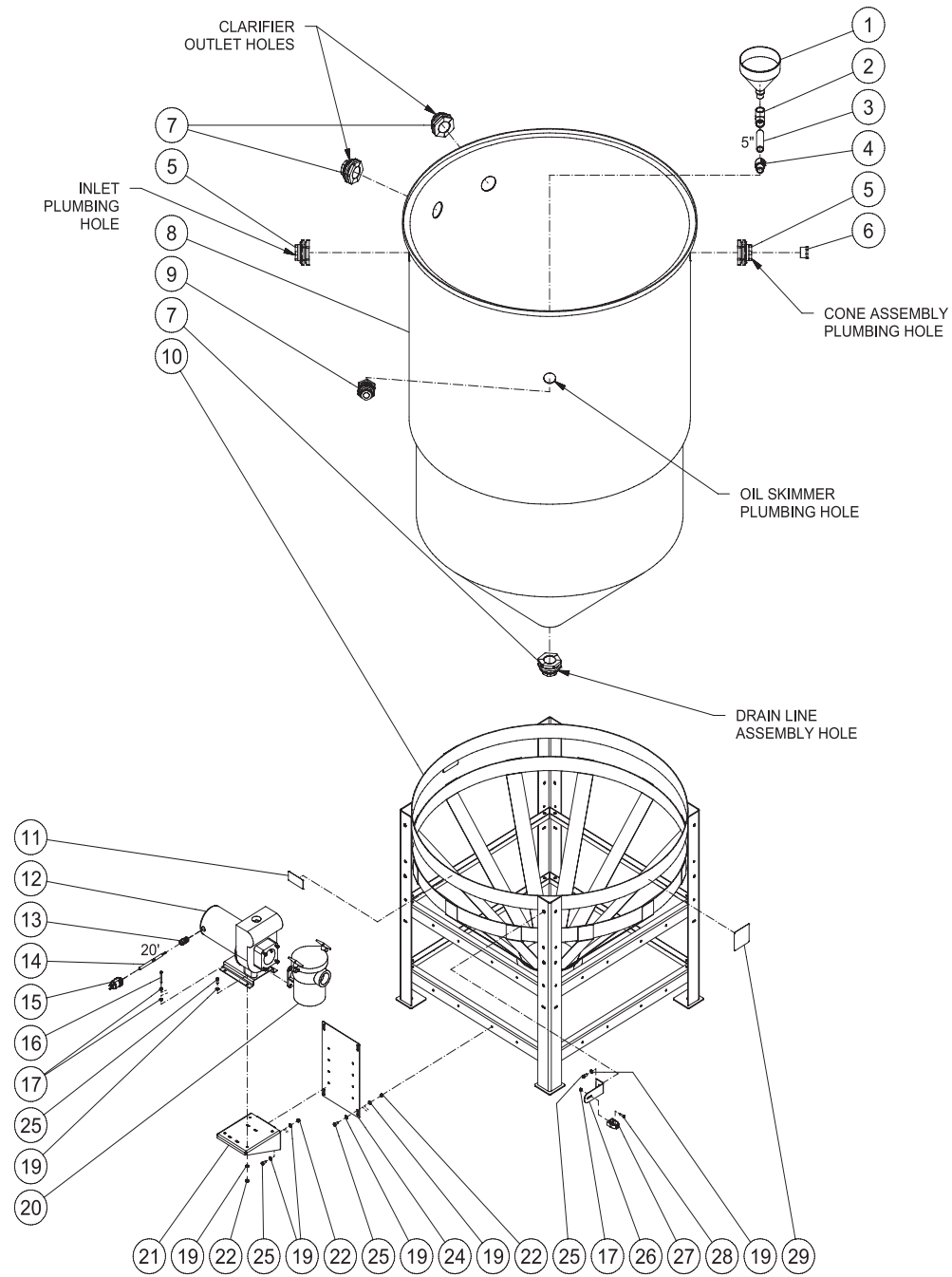
LID ASSEMBLY



LID ASSEMBLY - WCL-30D-0M10 071014 MLK

LID ASSEMBLY WCL-30D-0M10 071014 MLK			
LID ASSEMBLY			
ITEM	DESCRIPTION	PART #	QTY
1	LID	N/A	1
2	LOCKNUT	30-5155	6
3	WASHER	28-0121	6
4	HANDLE	7-0164	3
5	BOLT	27-5018	6

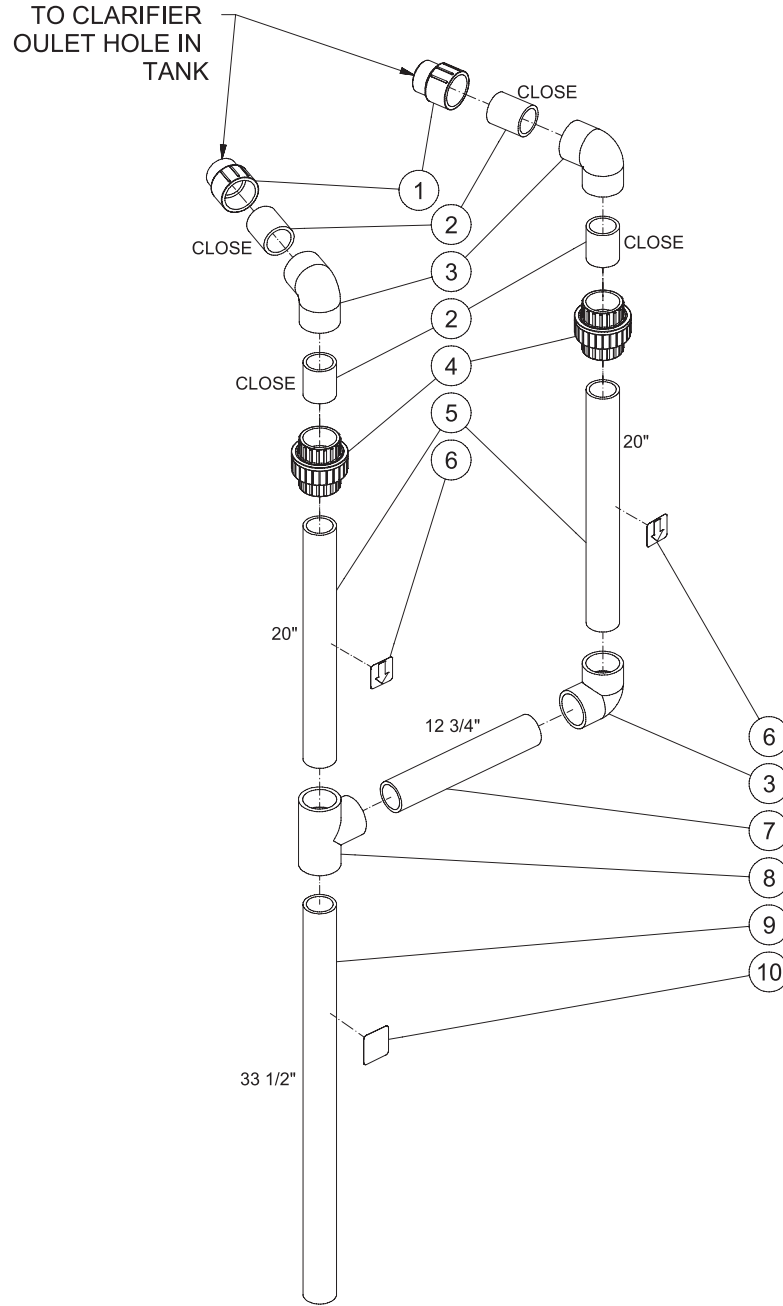
TANK ASSEMBLY (AFTER SERIAL #30006358)



TANK ASSEMBLY - WCL-30S-0M10 062514 MLK

WCL-30S-0M10 062514 MLK			
TANK ASSEMBLY			
ITEM	DESCRIPTION	PART #	QTY
1	FUNNEL	33-0338	1
2	ELBOW	55-1210	1
3	PIPE *(1" X 5")	55-1200	1
4	MALE ADAPTER	55-1222	1
5	BULKHEAD (INC. 25-0481 GASKET)	55-1686	2
6	PLUG	55-1640	1
7	BULKHEAD (INC. 25-0481 GASKET)	55-1886	3
8	TANK - 600 GAL.	12-0069	1
9	BULKHEAD (INC. 25-042 GASKET)	55-1286	1
10	TANK STAND	20-1287A01	1
11	DECAL- SILVER STICKER	N/A	1
12	PUMP	3-0328	1
-	TERMINAL 14GA 1/4 RING BLUE (NOT SHOWN)	32-0521	1
-	TERMINAL 14GA 1/4 FLAG FEMALE (NOT SHOWN)	32-0492	2
13	STRAIN RELIEF	32-0437	1
14	CORD *(TWENTY FEET REQUIRED)	32-0074	1
15	PLUG 230V	32-0738	1
16	BOLT	27-5014	1
17	NUT	30-5202	3
19	WASHER	28-0122	25
20	TRAP & BASKET	33-0491	1
-	O-RING FOR 33-0491 (NOT SHOWN) (REPLACEMENT ONLY)	25-0623	1
-	GASKET FOR 33-0491 (NOT SHOWN) (REPLACEMENT ONLY)	26-0356	1
-	STRAINER BASKET FOR 33-0491 (NOT SHOWN) (REPLACEMENT ONLY)	33-0502	1
21	PUMP BRACKET	20-0554A01	1
22	LOCKNUT	30-5158	12
24	PUMP PLATE	20-1284A01	1
25	BOLT	27-5066	13
26	CLAMP BRACKET	20-0555A01	1
27	CLAMP	42-0038	1
28	BOLT	27-5018	1
29	DECAL - NONPOTABLE WATER (SEE 71-0105)	34-0868	2
-	DECAL SET	71-0105	1
*MUST ORDER IN ONE FOOT LENGTHS			

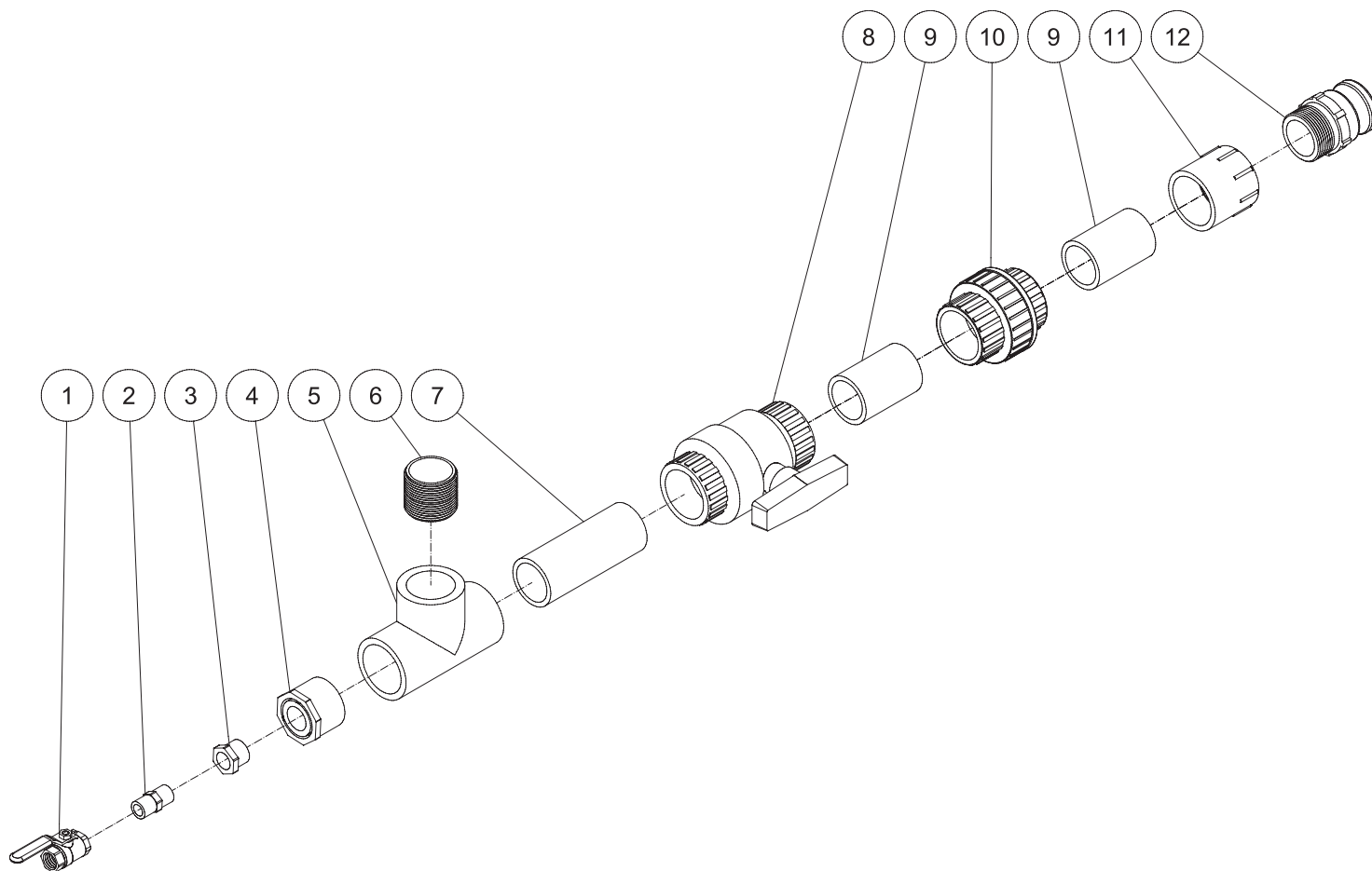
CLARIFIER OUTLET ASSEMBLY



CLARIFIER OUTLET ASSEMBLY - WCL-30S-0M10 062614 MLK

CLARIFIER OUTLET ASSY WCL-30S-0M10 062614 MLK			
CLARIFIER OUTLET ASSEMBLY			
ITEM	DESCRIPTION	PART #	QTY
1	ADAPTER	55-1822	2
2	PIPE *(2" X 2 3/4")	55-1800	4
3	ELBOW	55-1809	3
4	UNION	55-1845	2
5	PIPE *(2" X 20")	55-1800	2
6	DECAL	N/A	2
7	PIPE *(2" X 12 3/4")	55-1800	1
8	TEE	55-1801	1
9	PIPE *(2" X 33 1/2")	55-1800	1
10	DECAL	N/A	1
-	DECAL SET	71-0105	1
*MUST ORDER IN ONE FOOT LENGTHS			

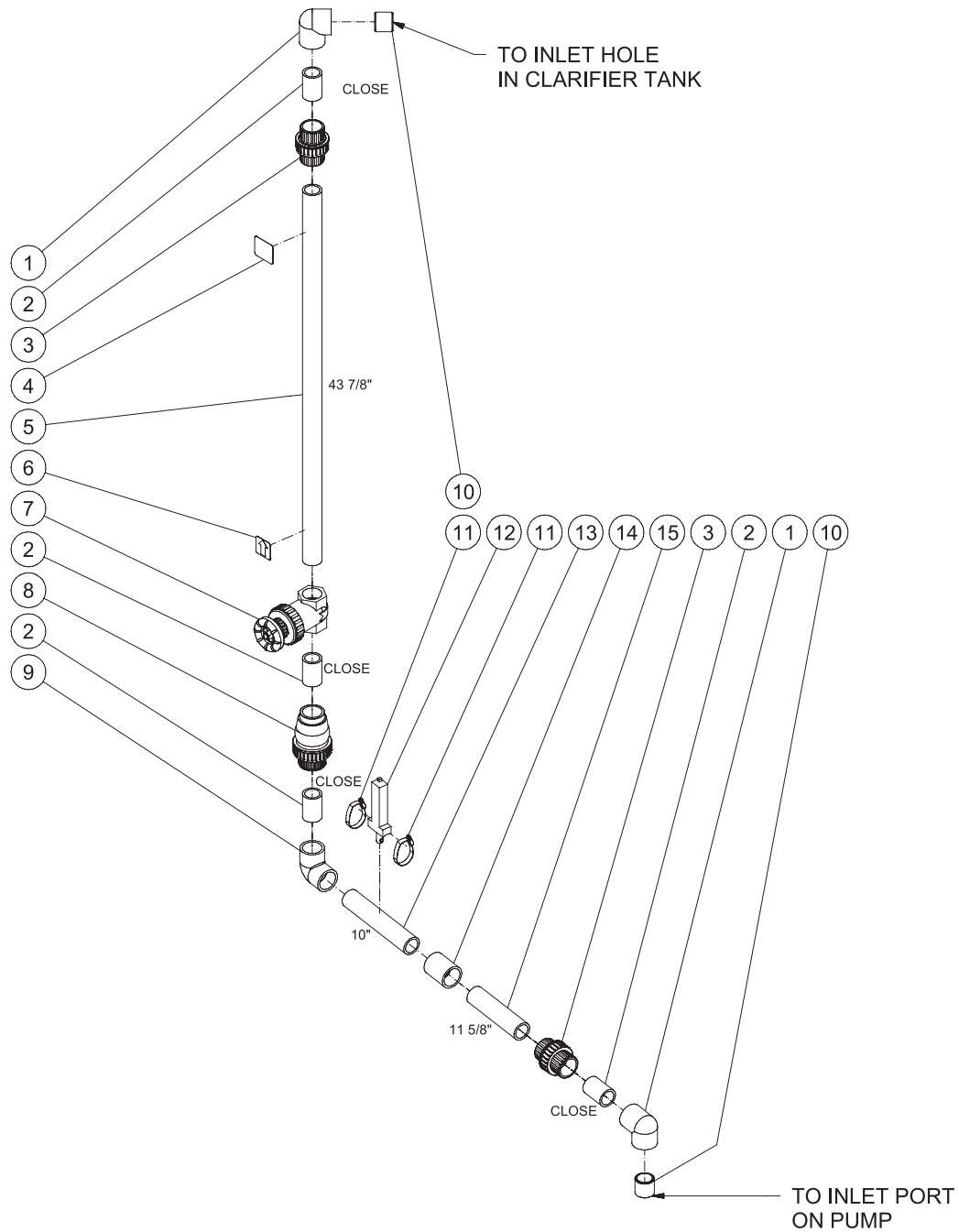
DRAIN ASSEMBLY



DRAIN ASSEMBLY - BIO-15 100909 MLK

DRAIN ASSEMBLY BIO-15-0M10 100909 PJH			
DRAIN ASSEMBLY			
ITEM	DESCRIPTION	PART #	QTY
1	BALL VALVE	22-0278	1
2	NIPPLE	23-0012	1
3	REDUCER	55-1234	1
4	REDUCER	55-1830	1
5	TEE	55-1807	1
6	NIPPLE	55-1874	1
7	PIPE *(2" X 6")	55-1800	1
8	BALL VALVE	55-1855	1
9	PIPE *(ONE FOOT REQUIRED)	55-1800	2
10	UNION	55-1845	1
11	ADAPTER	55-1821	1
12	ADAPTER	55-0054	1
*MUST ORDER IN ONE FOOT LENGTHS			

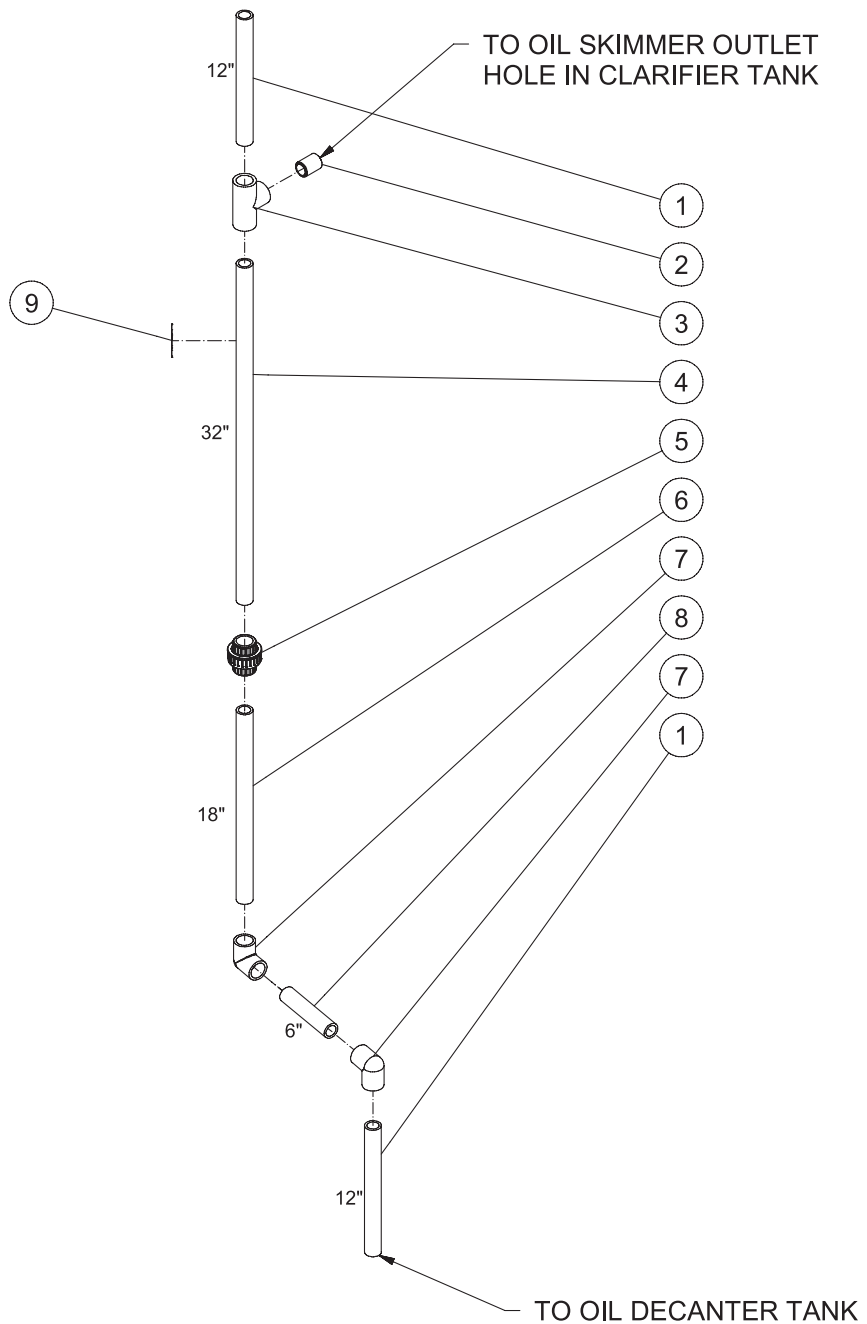
INLET PLUMBING (AFTER SERIAL #30006358)



INLET PLUMBING - WCL-30S-0M10 070914 MLK

INLET PLUMBING WCL-30S-0M10 070914 MLK			
INLET PLUMBING			
ITEM	DESCRIPTION	Mi-T-M #	QTY
1	ELBOW	55-1610	2
2	PIPE *(1 1/2" X 2 3/4")	55-1600	4
3	UNION	55-1645	2
4	DECAL - INLET (SEE 71-0105)	N/A	1
5	PIPE *(1 1/2 X 43 7/8")	55-1600	1
6	DECAL	N/A	1
7	GATE VALVE	55-1671	1
8	CHECK VALVE	55-1652	1
9	ELBOW	55-1609	1
10	NIPPLE	55-1674	2
11	HOSE CLAMP	42-0027	2
12	FLOW METER	55-0016	1
13	CLEAR PIPE *(1 1/2" X 10")	55-1685	1
14	COUPLER	55-1614	1
15	PIPE *(1 1/2" X 7 5/8")	55-1600	1
-	DECAL SET - WCL	71-0105	1
*MUST ORDER IN ONE FOOT LENGTHS			

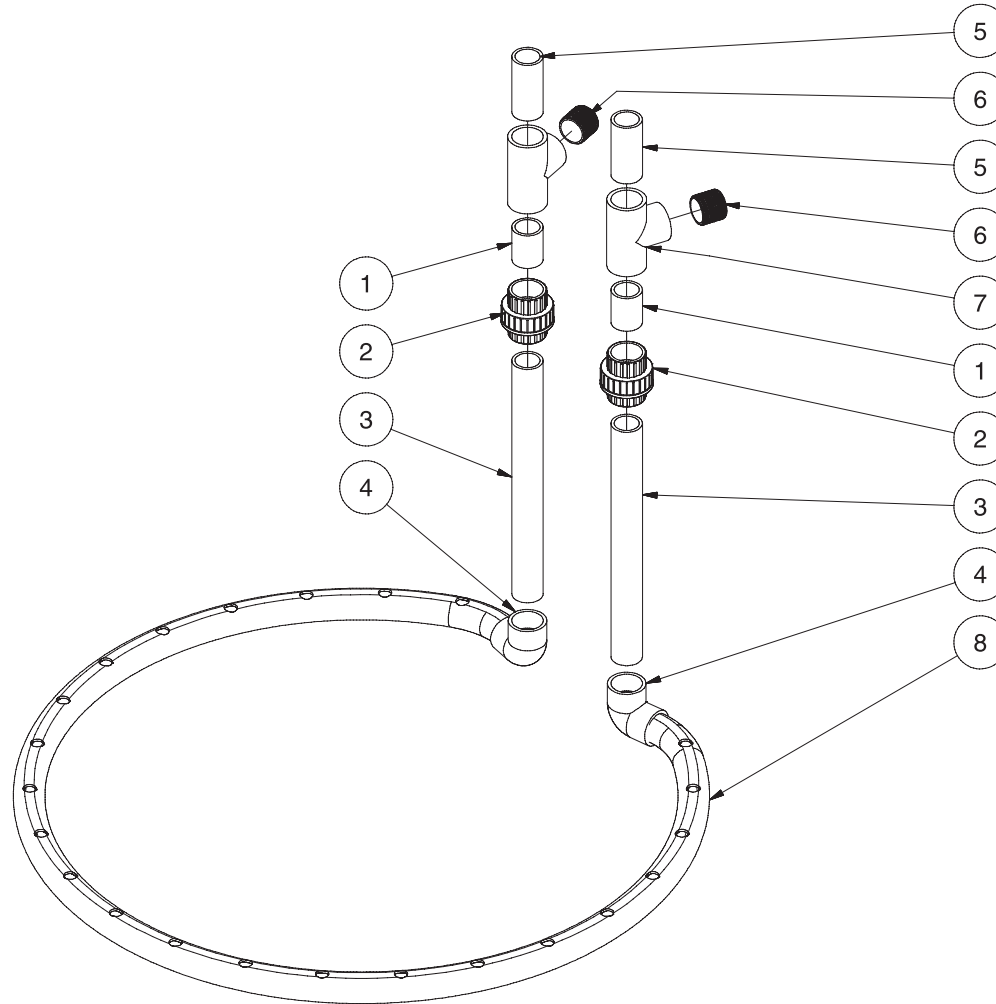
OIL SKIMMER OUTLET ASSEMBLY



OIL SKIMMER OUTLET ASSEMBLY - WCL-30S-0M10 062614 MLK

OIL SKIMMER OUTLET ASSEMBLY WCL-30S0M110 062614 MLK			
OIL SKIMMER OUTLET ASSEMBLY			
ITEM	DESCRIPTION	PART #	QTY
1	PIPE 1"	55-1200	2
2	NIPPLE	55-1274	1
3	TEE 1"	55-1207	1
4	PIPE - 1"	55-1200	1
5	UNION	55-1245	1
6	PIPE - 1"	55-1200	1
7	ELBOW	55-1209	2
8	PIPE - 1"	55-1200	1
9	DECAL	N/A	1

OUTLET RING ASSEMBLY (AFTER SERIAL #30000122)

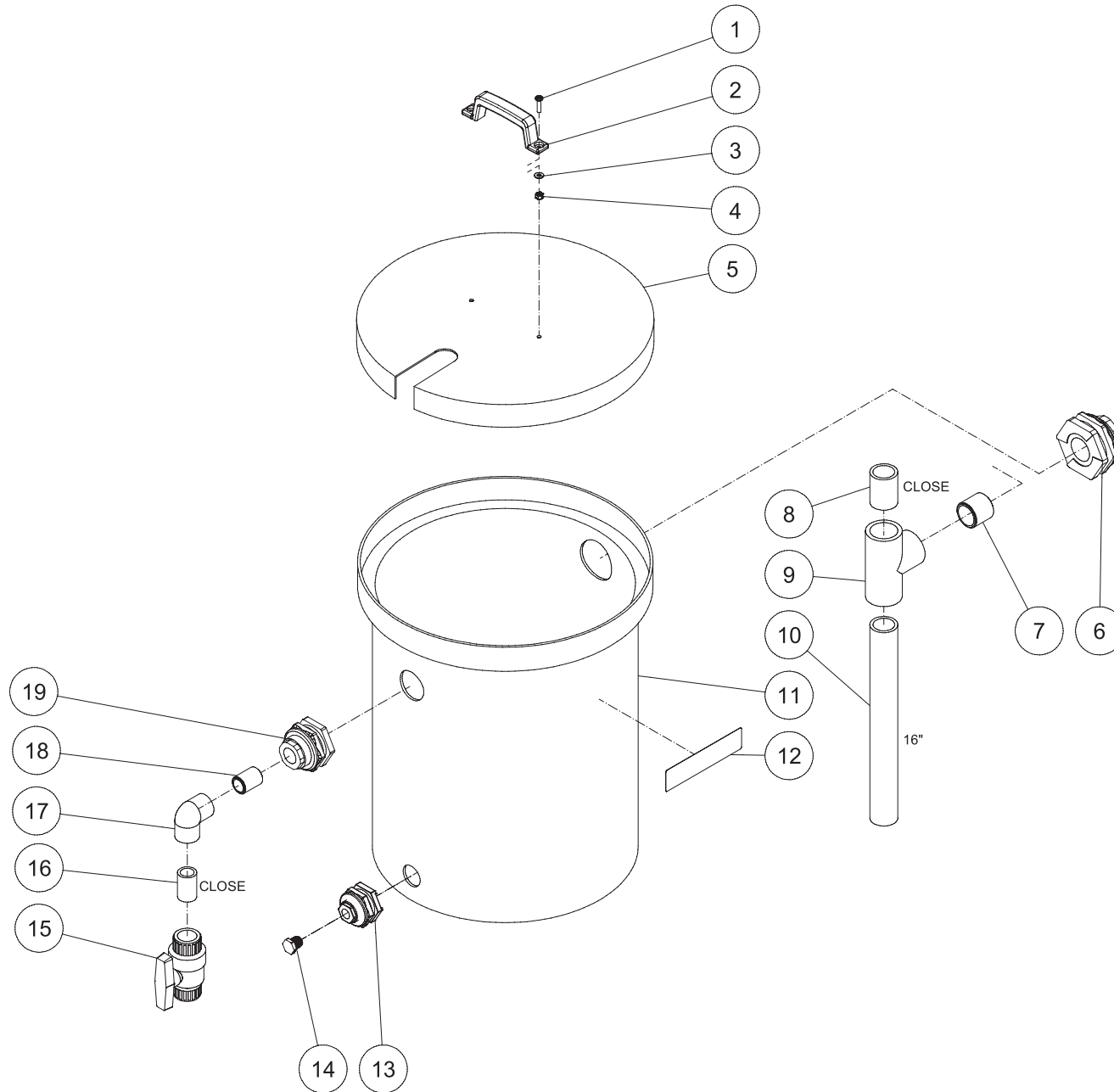


OUTLET RING-600 021605 021605 ASY

OUTLET RING 600-021605-ASY

OUTLET RING ASSEMBLY (AFTER SERIAL #30000122)			
REF. #	DESCRIPTION	PART#	QTY.
1	Pipe *(2" x 3")	55-1800	2
2	Union (Inc. 25-0449)	55-1845	2
-	O-ring	25-0449	2
3	Pipe *(2" x 21 1/2")	55-1800	2
4	Elbow	55-1809	2
5	Pipe *(2" x 5 1/8")	55-1800	2
6	Nipple	55-1874	2
7	Tee	55-1807	2
8	Flex Pipe	55-0062	1
*Must Order in One Foot Lengths			

DECANTER TANK ASSEMBLY (855-0014)



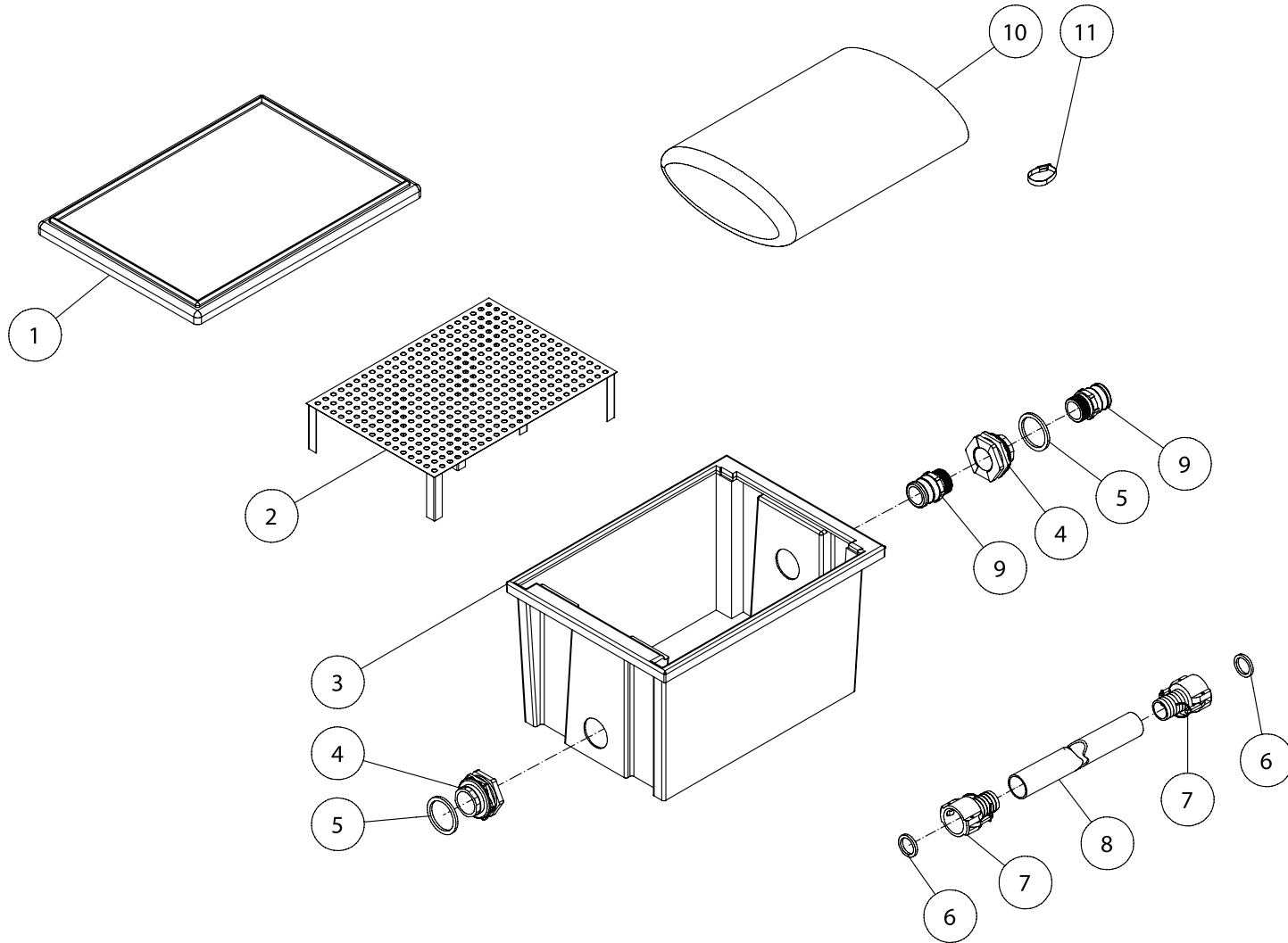
855-0014 071014 071014 MLK

855-0014 0710144 MLK

DECANTER TANK ASSEMBLY

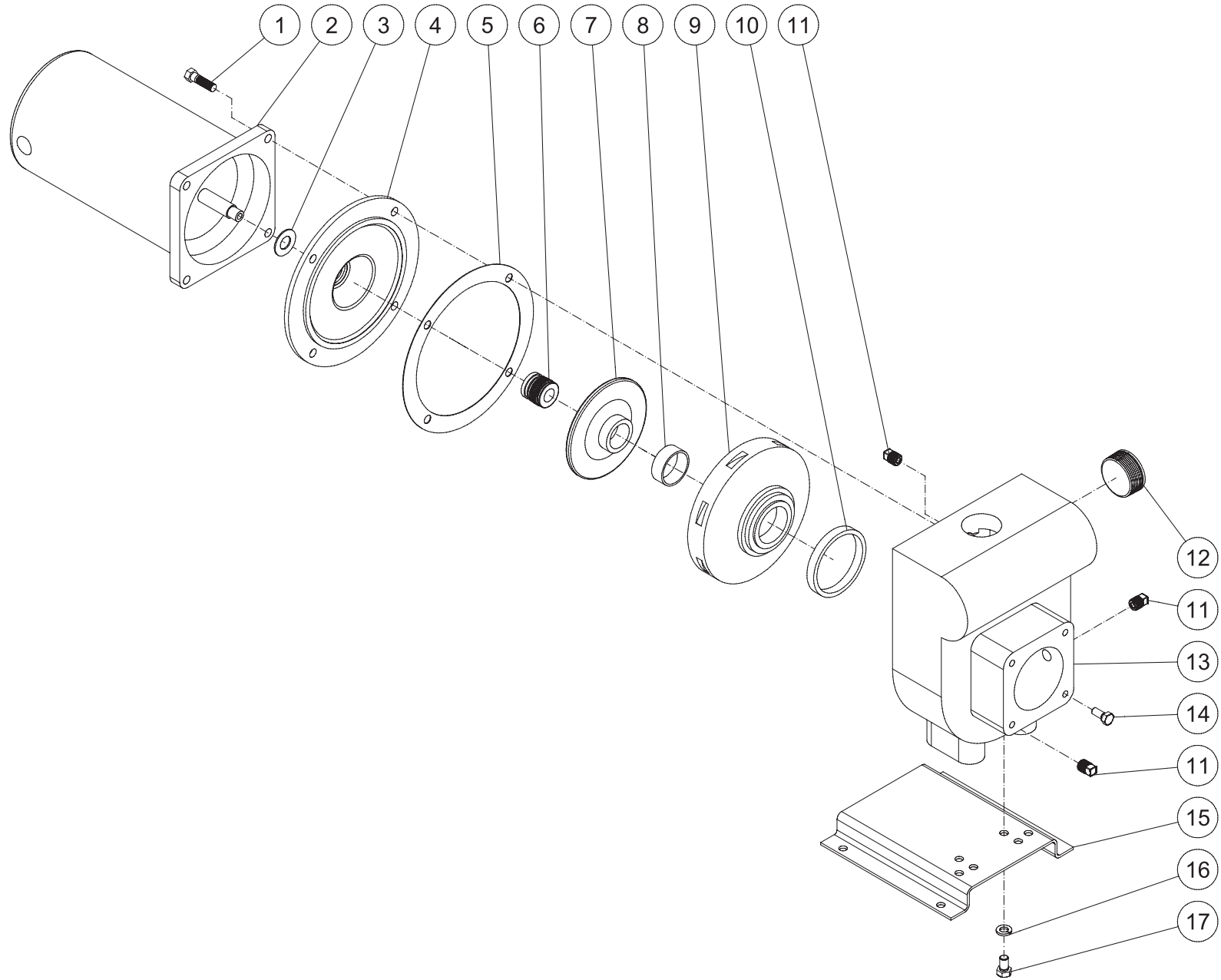
ITEM	DESCRIPTION	PART #	QTY
1	BOLT	27-5018	2
2	HANDLE	7-0164	1
3	WASHER	28-0121	2
4	LOCKNUT	30-5155	2
5	DECANTER LID	12-0096	1
6	BULKHEAD (INC. 25-0481 GASKET)	55-1686	1
7	NIPPLE	55-1674	1
8	PIPE 1-1/2"	55-1600	2
9	TEE	55-1607	1
10	PIPE 1-1/2"	55-1600	1
11	DECANTER TANK	12-0093	1
12	DECAL - OIL DECANTER (SEE 71-0105)	N/A	1
13	BULKHEAD	55-0886	1
14	PLUG	55-0840	1
15	BALL VALVE	55-1255	1
16	PIPE *(1" X 2")	55-1200	1
17	ELBOW	55-1210	1
18	NIPPLE	55-1274	1
19	BULKHEAD (INC. 25-042 GASKET)	55-1286	1

SLUDGE BOX ASSEMBLY (855-0017)



855-0017 071606_T CAW			
SLUDGE BOX ASSEMBLY			
ITEM	DESCRIPTION	PART #	QTY
1	LID	33-0341	1
2	RISER	21-0126	1
3	BOX	33-0344	1
4	BULKHEAD (INC. 25-0481 GASKET)	55-1886	2
5	GASKET	25-0481	2
6	O-RING	25-0476	2
7	COUPLER	55-0055	2
8	HOSE *(TEN FEET REQUIRED)	15-0213	1
9	ADAPTER	55-0054	2
10	BAG	41-0190	1
11	HOSE CLAMP	42-0027	1

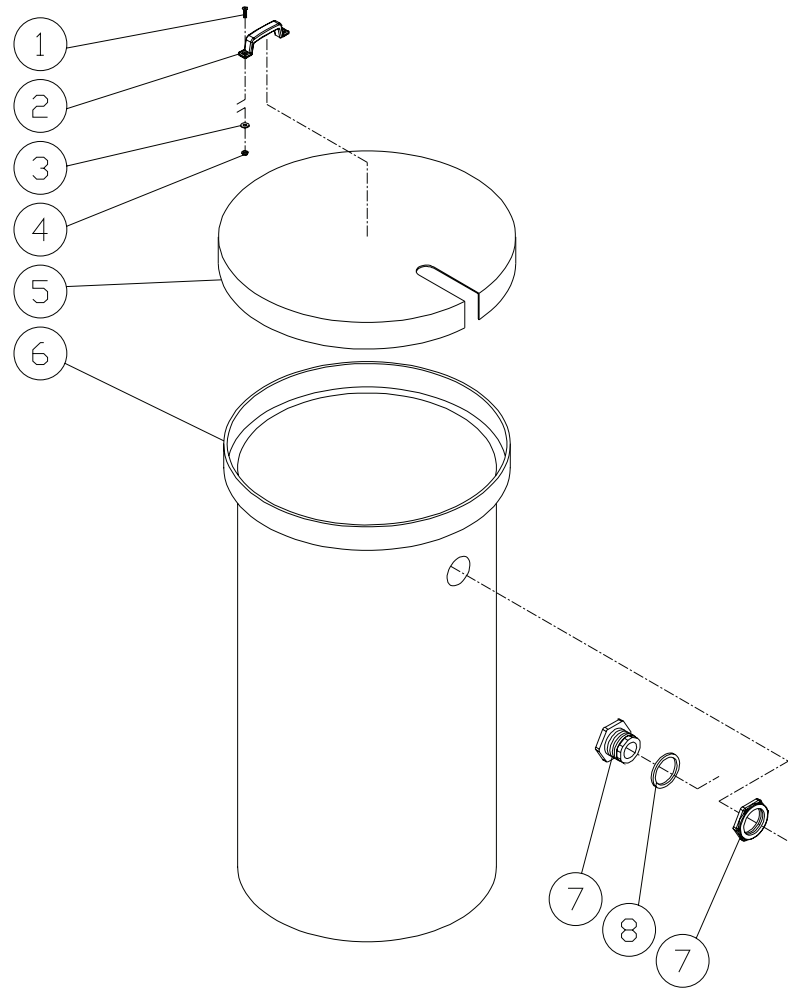
SUMP PUMP (3-0328)



3-0328 022713 MLK

3-0328 022713 MLK			
SUMP PUMP			
ITEM	DESCRIPTION	Mi-T-M #	QTY
1	BOLT	27-0118	4
2	PUMP/FILTER	N/A	1
3	WATER SLINGER	46-1386	1
4	SEAL PLATE	N/A	1
5	GASKET	26-0353	1
6	SHAFT SEAL	26-0354	1
7	IMPELLER	46-1523	1
8	WEAR RING	46-1387	1
9	DIFFUSER	N/A	1
10	DIFFUSER RING	46-1388	1
11	PLUG	24-0009	3
12	PLUG	24-0309	1
13	PUMP BODY	N/A	1
14	BOLT	27-0066	4
15	BASE	N/A	1
16	LOCKWASHER	29-0008	2
17	BOLT	N/A	2

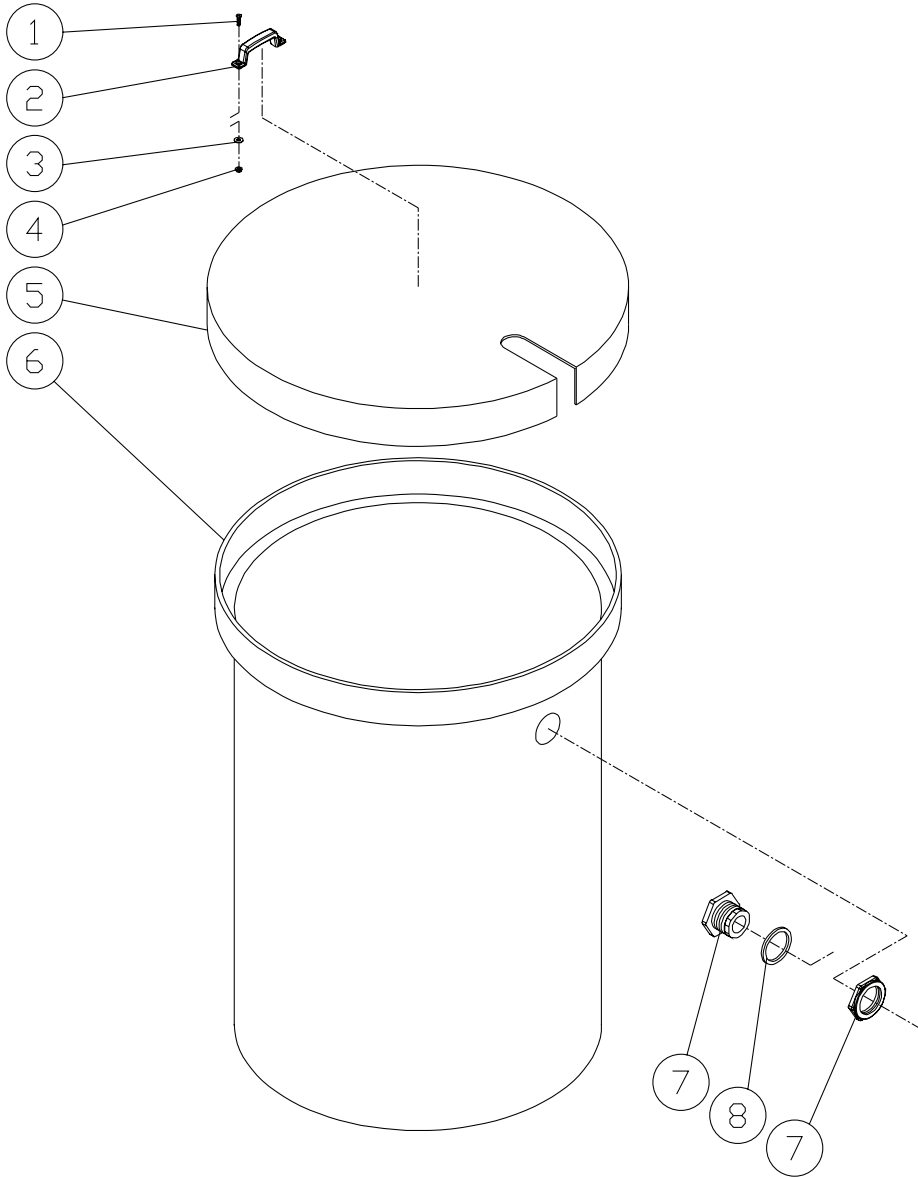
ACCESSORIES: PRODUCT TANK (80 GALLON) ASSEMBLY (855-0015)



855-0015-030700-WKB

855-0015-030700-WKB			
ACCESSORIES: PRODUCT TANK (80 GALLON) ASSEMBLY (855-0015)			
REF. #	DESCRIPTION	PART #	QTY.
1	Bolt	27-8932	2
2	Handle	7-0164	1
3	Washer	28-0121	2
4	Locknut	30-5155	2
5	Lid	12-0113	1
6	Tank (80 Gallons)	12-0109	1
7	Bulkhead (Includes Gasket 25-0481)	55-1686	1
8	Gasket	25-0481	1

ACCESSORIES: PRODUCT TANK (165 GALLON) ASSEMBLY (855-0016)



855-0016-030700-WKB

855-0016-030700-WKB

ACCESSORIES: PRODUCT TANK (165 GALLON) ASSEMBLY (855-0016)			
REF. #	DESCRIPTION	PART #	QTY.
1	Bolt	27-8932	2
2	Handle	7-0164	1
3	Washer	28-0121	2
4	Locknut	30-5155	2
5	Lid	12-0114	1
6	Tank (165 Gallons)	12-0111	1
7	Bulkhead (Includes Gasket 25-0481)	55-1686	1
8	Gasket	25-0481	1

