

PARTS LIST FOR
HEG SERIES
HOT WATER PRESSURE WASHERS
(AFTER SERIAL # 15024154 and #15045000)

PUMP OIL GRADE:	SAE20 or 30 Non-Detergent
PUMP OIL CAPACITY:	41oz.
BTU INPUT:	
NATURAL GAS:	338,000
L.P.-GAS:	326,000 (Vapor Only)
PRESSURE NOZZLE:	
HEG-1805:	7.0
HEG-2004:	6.0
HEG-3004:	4.5
HEG-3005:	5.5

This Parts Listing has been compiled for your benefit. You can be assured your hot water pressure washer was constructed and designed with quality and performance in mind. Each component has been rigorously tested to insure the highest level of acceptance.

The contents of this Parts Listing are based on the latest product information available at the time of publication. The manufacturer reserves the right to make changes in price, color, materials, equipment, specifications or models at any time without notice.

WARNING

THIS IS A PROFESSIONAL HIGH PRESSURE, HOT WATER PRESSURE WASHER. CAUTION SHOULD BE OBSERVED WHEN INSTALLING, USING OR REPAIRING THIS UNIT! READ AND FOLLOW THE SAFETY WARNINGS BEFORE ATTEMPTING ANY REPAIRS ON THIS PRESSURE WASHER!

SAFETY WARNINGS

1. NEVER alter or modify the equipment. Use only genuine manufacturer parts for repair of your pressure washer. Failure to do so can cause hazardous operating conditions and will VOID warranty. Repairs performed on this pressure washer should be done by a qualified serviceman in accordance with local, state and national regulations.
2. This unit has multiple safety devices which should never be altered, modified, removed or made inoperable. If a device fails, replace immediately with only genuine manufacturer replacement parts.
3. Gas System:
Do not operate unit if gas smell exists. If you smell gas at any time, immediately shut off the gas supply to the unit and extinguish any open flame. L.P. gas is heavier than air and will gravitate to the floor. Do not resume operation until unit has been repaired and inspected by a qualified serviceperson.
4. Electrical System:
The unit must be connected to a properly grounded electrical source which provides the correct voltage and adequate fuse protection. Disconnect from power source when making repairs. Never assume the pressure washer is safe to work on just because it is not operating. It could restart at any time.
Never operate pressure washer with electrical enclosures open, removed or damaged. Do not allow metal components of the pressure washer to come in contact with live electrical components.
5. Do not operate the unit without all protective covers in place. Before servicing the unit, always shut off the unit and trigger the gun to release trapped pressure. Know how to stop the pressure washer and bleed pressures quickly. Be thoroughly familiar with controls. Be sure any accessory items and system components being used will withstand the pressure developed.

Table of Contents

SPECIFICATIONS FOR HEG-1805.....	6
SPECIFICATIONS FOR HEG-2004.....	7
SPECIFICATIONS FOR HEG-3004.....	8
SPECIFICATIONS FOR HEG-3005.....	9
FLOW CHART	10
GENERAL THEORY OF OPERATION	11
DECAL PLACEMENT	12
FRAME ASSEMBLY.....	14
MOTOR BASE ASSEMBLY (AFTER SERIAL #15024154)	16
FLOAT TANK ASSEMBLY (AFTER SERIAL #15006770).....	18
PUMP ASSEMBLY (3-0202) (AFTER SERIAL #15045000).....	20
UNLOADER (850-0252).....	22
PRESSURE SWITCH (22-0171).....	23
BURNER ASSEMBLY (AFTER SERIAL #15015061).....	24
SINGLE PHASE ELECTRIC BOX ASSEMBLY	26
THREE PHASE ELECTRIC BOX ASSEMBLY	28
GUN/WAND/HOSE ASSEMBLY (AFTER SERIAL #15024154).....	30
DUAL LANCE ASSEMBLY (16-0416 & 16-0417).....	32
WIRE SCHEMATIC SINGLE PHASE.....	34
WIRE DIAGRAM SINGLE PHASE.....	35
WIRE SCHEMATIC THREE PHASE.....	36
WIRE DIAGRAM THREE PHASE.....	37
OPTION LISTINGS	38
OPTION LISTINGS	39
L.P. BURNER ASSEMBLY (HX-0105)	40
SINGLE PHASE ELECTRIC BOX ASSEMBLY W/AUTO START OR TIME DELAY (HX-0107 AND HX-0111)	42
THREE PHASE ELECTRIC BOX ASSEMBLY W/ AUTO START OR TIME DELAY (HX-0107 AND HX-0111).....	44
REMOTE JUNCTION BOX (HX-0108, HX-0109 AND HX-0124)	46
REMOTE BOX ASSEMBLY (HX-0108, HX-0109, HX-0110 AND HX-0124).....	47
SINGLE PHASE ELECTRIC BOX ASSEMBLY W/ TIME DELAY OR AUTO START/STOP AND REMOTES (HX-0108, HX-0109 AND HX-0124).....	48
THREE PHASE ELECTRIC BOX ASSEMBLY W/ TIME DELAY OR AUTO START/STOP AND REMOTES (HX-0108, HX-0109 AND HX-0124)	50
DETERGENT SOLENOID FOR TIME DELAY AND REMOTES (HX-0108, HX-0109 AND HX-0124)	52
AUTO START/STOP PLUMBING (HX-0111 AND HX-0124) (AFTER SERIAL #15021777).....	53
K7 OPTION (HX-0104 AND HX-0112) (AFTER SERIAL #15021777).....	54
DUAL GUN OPTION (HX-0113 AND HX-0114)	55
STAINLESS STEEL MODULAR PANELS AND COIL WRAP OPTION (HX-0115 AND HX-0116)	56
BOX PANEL OPTION (HX-0117).....	58
STAINLESS STEEL BOX PANEL OPTION (HX-0118).....	60
STEAM OPTION (HX-0119, HX-0120 AND HX-0121) (AFTER SERIAL #15021777).....	61
WIRE SCHEMATIC SINGLE PHASE WITH TIME DELAY (HX-0107)	62
WIRE DIAGRAM SINGLE PHASE WITH TIME DELAY (HX-0107)	63

WIRE SCHEMATIC SINGLE PHASE WITH REMOTES (HX-0108)	64
WIRE DIAGRAM SINGLE PHASE WITH REMOTES (HX-0108)	65
WIRE SCHEMATIC SINGLE PHASE WITH TIME DELAY AND REMOTES (HX-0109).....	66
WIRE DIAGRAM SINGLE PHASE WITH TIME DELAY AND REMOTES (HX-0109).....	67
WIRE SCHEMATIC SINGLE PHASE WITH AUTO START/STOP (HX-0111)	68
WIRE DIAGRAM SINGLE PHASE WITH AUTO START/STOP (HX-0111)	69
WIRE SCHEMATIC SINGLE PHASE WITH AUTO START/STOP AND REMOTES (HX-0124).....	70
WIRE DIAGRAM SINGLE PHASE WITH AUTO START/STOP AND REMOTES (HX-0124).....	71
WIRE SCHEMATIC THREE PHASE WITH TIME DELAY (HX-0107)	72
WIRE DIAGRAM THREE PHASE WITH TIME DELAY (HX-0107)	73
WIRE SCHEMATIC THREE PHASE WITH REMOTES (HX-0108).....	74
WIRE DIAGRAM THREE PHASE WITH REMOTES (HX-0108).....	75
WIRE SCHEMATIC THREE PHASE WITH TIME DELAY AND REMOTES (HX-0109).....	76
WIRE DIAGRAM THREE PHASE WITH TIME DELAY AND REMOTES (HX-0109).....	77
WIRE SCHEMATIC THREE PHASE WITH AUTO/START STOP (HX-0111).....	78
WIRE DIAGRAM THREE PHASE WITH AUTO/START STOP (HX-0111).....	79
WIRE SCHEMATIC THREE PHASE WITH AUTO/START STOP AND REMOTES (HX-0124)	80
WIRE DIAGRAM THREE PHASE WITH AUTO/START STOP AND REMOTES (HX-0124)	81
WIRE DIAGRAM FOR REMOTE BOX (HX-0108 AND HX-0110).....	82

SPECIFICATIONS FOR HEG-1805

HEG-1805

MODEL NUMBER	HEG-1805-0E2G	HEG-1805-0E3G	HEG-1805-0E4G	HEG-1805-0E8G	HEG-1805-0E9G
Operating Pressure (PSI/Bar):	1800/124.1				
Water Volume (GPM/lpm):	4.7/17.8				
Motor:	ODP				
Horsepower	6.0				
Phase	1	3		1	3
Voltage	230		460	208	
Amperage	25.5	16.0	8.0	28.2	18.5
Service Factor	1.15				
Pump:	Belt Driven, Oil Bath, Triplex Piston				
Oil Type	SAE20 or 30 Non-Detergent				
Oil Capacity (oz./liters)	41/1.2				
Plungers	Ceramic				
Manifold	Forged Brass				
Valves	Stainless Steel				
Unloader:	Pre-set at the factory				
Heat Dump Valve:	Relieves heated water during unloader bypass stage				
Burner	Natural Draft-Aspirating				
Fuel Type	Natural Gas				
Maximum Supply Pressure (W.C.)	13.0				
Manifold Pressure (W.C.)	4.0				
Fuel Orifice Size	#53				
Fuel Type	L.P.-Gas (Vapor Only)				
Maximum Supply Pressure (W.C.)	13.0				
Manifold Pressure (W.C.)	9.5				
Fuel Orifice Size	#64				
Heat Exchanger:					
Natural Gas BTU Input	338,000				
L.P. BTU Input	326,000				
Electric Controls:					
Motor Controls	Magnetic Starter With Bi-Metal Overload				
Burner Controls	Rocker Switch				
Control Voltage	24 Volt AC				
Safety Devices:					
Pressure Switch	Shuts Off Burner Fuel Supply Upon Trigger Release				
Thermostat	Adjustable				
Relief Valve	Relieves Excessive System Pressure				
High Pressure Nozzle Size:	7.0				
Unit Net Weight (Lbs/kg):	664/301				
Unit Shipping Weight (Lbs/kg):	784/356				
Unit Net Dimension (In/cm):	56.5L x 29W x 49.75H/143.5L x 73.5W x 126.5H				
Unit Shipping Dimension (In/cm):	57.5L x 35.5W x 59.5H/146L x 90W x 151H				

SPECIFICATIONS FOR HEG-2004

HEG-2004

MODEL NUMBER	HEG-2004-0E2G	HEG-2004-0E3G	HEG-2004-0E4G	HEG-2004-0E8G	HEG-2004-0E9G
Operating Pressure (PSI/Bar):	2000/137.9				
Water Volume (GPM/lpm):	4.2/15.9				
Motor:	ODP				
Horsepower	6.0				
Phase	1	3		1	3
Voltage	230		460	208	
Amperage	25.5	16.0	8.0	28.2	18.5
Service Factor	1.15				
Pump:	Belt Driven, Oil Bath, Triplex Piston				
Oil Type	SAE20 or 30 Non-Detergent				
Oil Capacity (oz./liters)	41/1.2				
Plungers	Ceramic				
Manifold	Forged Brass				
Valves	Stainless Steel				
Unloader:	Pre-set at the factory				
Heat Dump Valve:	Relieves heated water during unloader bypass stage				
Burner	Natural Draft-Aspirating				
Fuel Type	Natural Gas				
Maximum Supply Pressure (W.C.)	13.0				
Manifold Pressure (W.C.)	4.0				
Fuel Orifice Size	#53				
Fuel Type	L.P.-Gas (Vapor Only)				
Maximum Supply Pressure (W.C.)	13.0				
Manifold Pressure (W.C.)	9.5				
Fuel Orifice Size	#64				
Heat Exchanger:					
Natural Gas BTU Input	338,000				
L.P. BTU Input	326,000				
Electric Controls:					
Motor Controls	Magnetic Starter With Bi-Metal Overload				
Burner Controls	Rocker Switch				
Control Voltage	24 Volt AC				
Safety Devices:					
Pressure Switch	Shuts Off Burner Fuel Supply Upon Trigger Release				
Thermostat	Adjustable				
Relief Valve	Relieves Excessive System Pressure				
High Pressure Nozzle Size:	6.0				
Unit Net Weight (Lbs/kg):	665/302				
Unit Shipping Weight (Lbs/kg):	785/356				
Unit Net Dimension (In/cm):	56.5L x 29W x 49.75H/143.5L x 73.5W x 126.5H				
Unit Shipping Dimension (In/cm):	57.5L x 35.5W x 59.5H/146L x 90W x 151H				

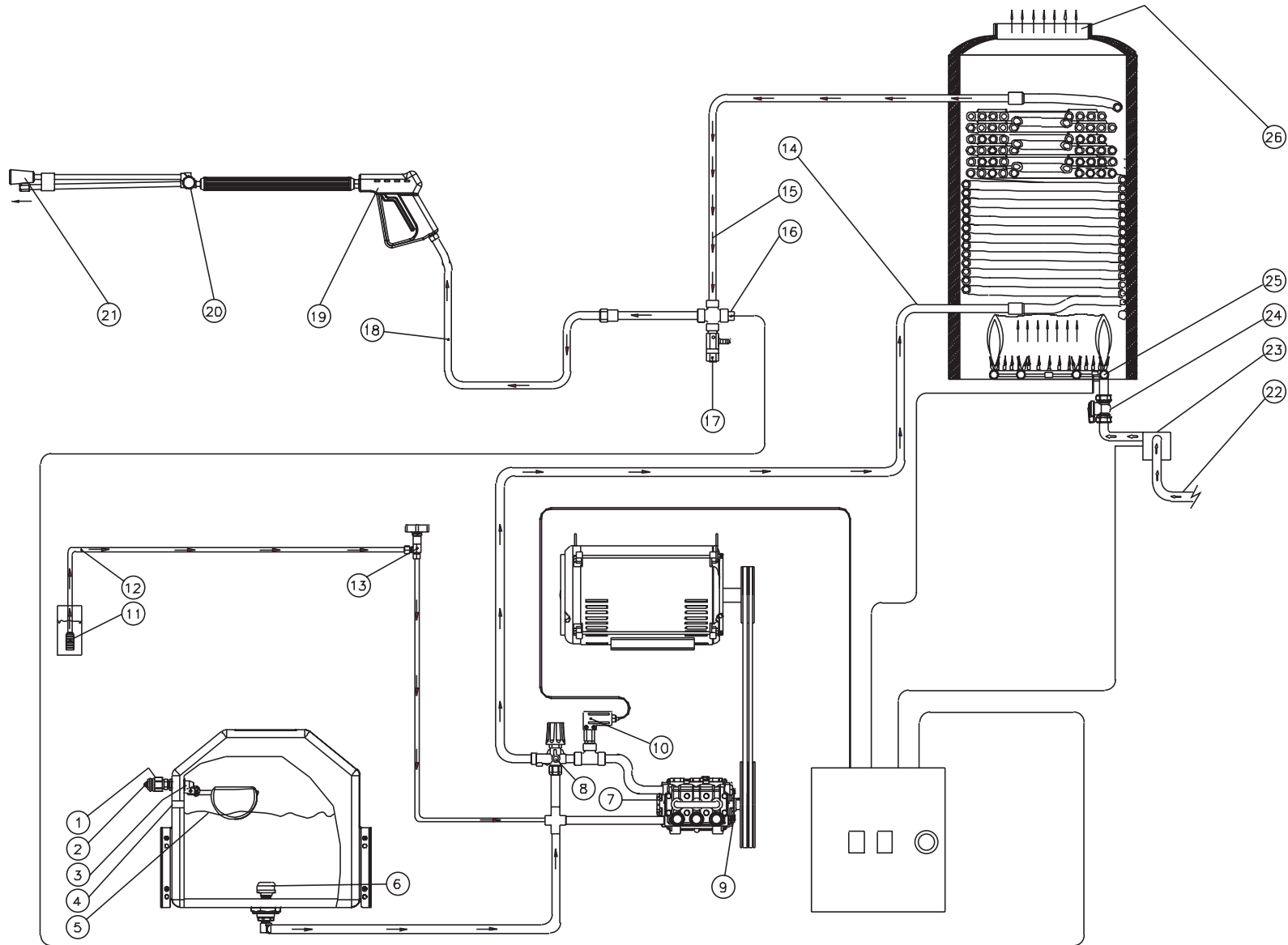
SPECIFICATIONS FOR HEG-3004

MODEL NUMBER	HEG-3004-0E2G	HEG-3004-0E3G	HEG-3004-0E4G	HEG-3004-0E5G	HEG-3004-0E8G	HEG-3004-0E9G
Operating Pressure (PSI/Bar):	3000/206.8					
Water Volume (GPM/lpm):	3.9/14.7					
Motor:	ODP					
Horsepower	8.0					
Phase	1				3	
Voltage	230		460	575	208	
Amperage	37.0	20.0	10.0	8.0	40.5	23.0
Service Factor	1.15					
Pump:	Belt Driven, Oil Bath, Triplex Piston					
Oil Type	SAE20 or 30 Non-Detergent					
Oil Capacity (oz./liters)	41/1.2					
Plungers	Ceramic					
Manifold	Forged Brass					
Valves	Stainless Steel					
Unloader:	Pre-set at the factory					
Heat Dump Valve:	Relieves heated water during unloader bypass stage					
Burner	Natural Draft-Aspirating					
Fuel Type	Natural Gas					
Maximum Supply Pressure (W.C.)	13.0					
Manifold Pressure (W.C.)	4.0					
Fuel Orifice Size	#53					
Fuel Type	L.P.-Gas (Vapor Only)					
Maximum Supply Pressure (W.C.)	13.0					
Manifold Pressure (W.C.)	9.5					
Fuel Orifice Size	#64					
Heat Exchanger:						
Natural Gas BTU Input	338,000					
L.P. BTU Input	326,000					
Electric Controls:						
Motor Controls	Magnetic Starter With Bi-Metal Overload					
Burner Controls	Rocker Switch					
Control Voltage	24 Volt AC					
Safety Devices:						
Pressure Switch	Shuts Off Burner Fuel Supply Upon Trigger Release					
Thermostat	Adjustable					
Relief Valve	Relieves Excessive System Pressure					
High Pressure Nozzle Size:	4.5					
Unit Net Weight (Lbs/kg):	693/314					
Unit Shipping Weight (Lbs/kg):	813/369					
Unit Net Dimension (In/cm):	56.5L x 29W x 49.75H/143.5L x 73.5W x 126.5H					
Unit Shipping Dimension (In/cm):	57.5L x 35.5W x 59.5H/146L x 90W x 151H					

SPECIFICATIONS FOR HEG-3005

MODEL NUMBER	HEG-3005-0E2G	HEG-3005-0E3G	HEG-3005-0E4G	HEG-3005-0E5G	HEG-3005-0E8G	HEG-3005-0E9G
Operating Pressure (PSI/Bar):	3000/206.8					
Water Volume (GPM/lpm):	4.8/18.2					
Motor:	ODP					
Horsepower	10.0					
Phase	1				3	
Voltage	230		460	575	208	
Amperage	44.0	25.0	12.5	10.0	48.7	29.0
Service Factor	1.15					
Pump:	Belt Driven, Oil Bath, Triplex Piston					
Oil Type	SAE20 or 30 Non-Detergent					
Oil Capacity (oz./liters)	41/1.2					
Plungers	Ceramic					
Manifold	Forged Brass					
Valves	Stainless Steel					
Unloader:	Pre-set at the factory					
Heat Dump Valve:	Relieves heated water during unloader bypass stage					
Burner	Natural Draft-Aspirating					
Fuel Type	Natural Gas					
Maximum Supply Pressure (W.C.)	13.0					
Manifold Pressure (W.C.)	4.0					
Fuel Orifice Size	#53					
Fuel Type	L.P.-Gas (Vapor Only)					
Maximum Supply Pressure (W.C.)	13.0					
Manifold Pressure (W.C.)	9.5					
Fuel Orifice Size	#64					
Heat Exchanger:						
Natural Gas BTU Input	338,000					
L.P. BTU Input	326,000					
Electric Controls:						
Motor Controls	Magnetic Starter With Bi-Metal Overload					
Burner Controls	Rocker Switch					
Control Voltage	24 Volt AC					
Safety Devices:						
Pressure Switch	Shuts Off Burner Fuel Supply Upon Trigger Release					
Thermostat	Adjustable					
Relief Valve	Relieves Excessive System Pressure					
High Pressure Nozzle Size:	5.5					
Unit Net Weight (Lbs/kg):	695/315					
Unit Shipping Weight (Lbs/kg):	815/370					
Unit Net Dimension (In/cm):	56.5L x 29W x 49.75H/143.5L x 73.5W x 126.5H					
Unit Shipping Dimension (In/cm):	57.5L x 35.5W x 59.5H/146L x 90W x 151H					

FLOW CHART



GENERAL THEORY OF OPERATION

WATER FLOW: Connect a pressurized water source to the INLET GARDEN HOSE CONNECTION (1) and turn on the water supply. The water will flow through a WATER STRAINER (2) and then through a FLOAT VALVE (3) into a WATER FLOAT TANK (5). If the water rises above the OVERFLOW HOLES (4), the excess water will drain out of the float tank.

The water is then drawn through the WATER STRAINER (6) and into the TRIPLEX HIGH PRESSURE PUMP (7) which has an UNLOADER (8) that bypasses the water when the trigger gun is closed. To protect the pump from heated water during this bypass stage, a HEAT DUMP VALVE (9) will open at 125°F/52°C allowing the heated water to escape. The Heat Dump Valve automatically resets when the water cools. Attached to the pump is a PRESSURE SWITCH (10) that controls the fuel supply to the burner.

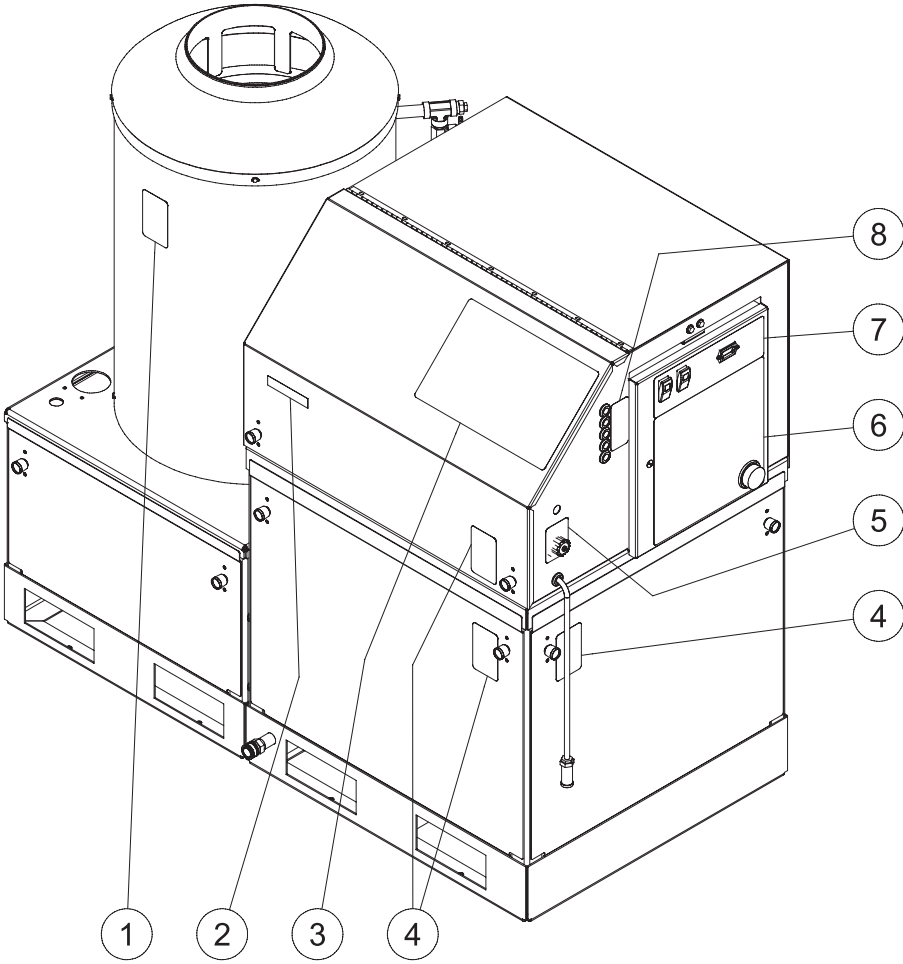
When using detergents, the solution passes through the DETERGENT STRAINER (11) located on the DETERGENT HOSE (12). The detergent solution then travels through the DETERGENT METERING VALVE (13).

From there, the water flows through the HEAT EXCHANGER INLET (14) where it is heated when the burner is on. As the water exits the HEAT EXCHANGER OUTLET (15), it enters a safety system which protects the operator from danger. The safety system contains a HIGH PRESSURE LIMIT SWITCH (16) which senses the water temperature and shuts off the fuel supply to the burner if the water gets too hot. If the unloader fails to bypass water or the burner remains on when the trigger gun is closed, the SAFETY RELIEF VALVE (17) will relieve and allow water to exit safely.

The heated water then flows through the HIGH PRESSURE HOSE (18) and to the TRIGGER GUN ASSEMBLY (19) which allows the operator to control the water supply. When the trigger gun is open, the water flows through the ADJUSTABLE PRESSURE DUAL LANCE (20) and exits the NOZZLES (21).

GAS FLOW: The gas passes through the GAS INPUT (22) to the MAIN GAS VALVE (23) which regulates the gas to the appropriate pressure. The gas then flows through the GAS SHUT-OFF VALVE (24) and to the BURNER RING (25). Heat and fumes exit the coil through the EXHAUST STACK (26).

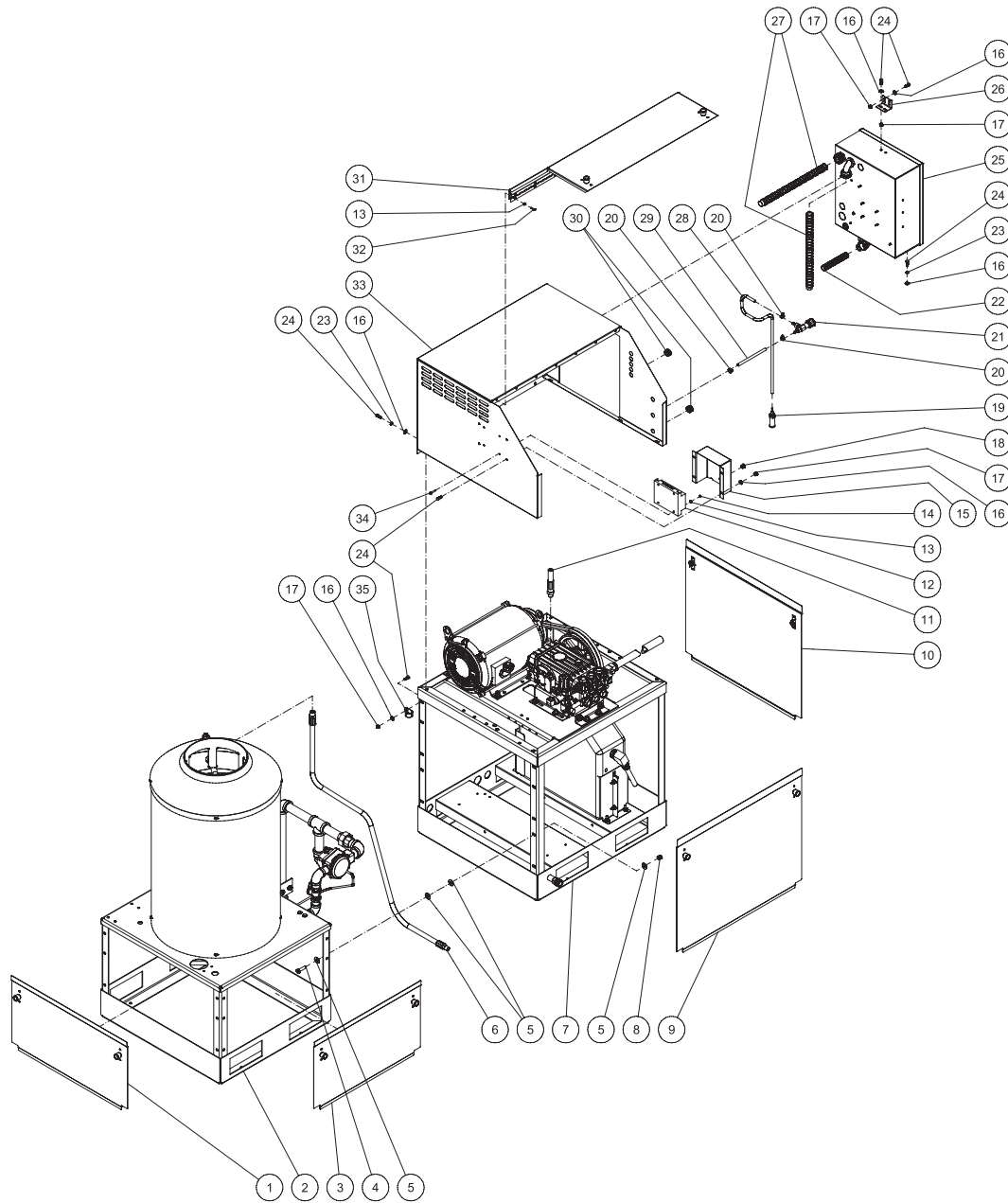
DECAL PLACEMENT



HEG DECALS PLACEMENT-100809-CH

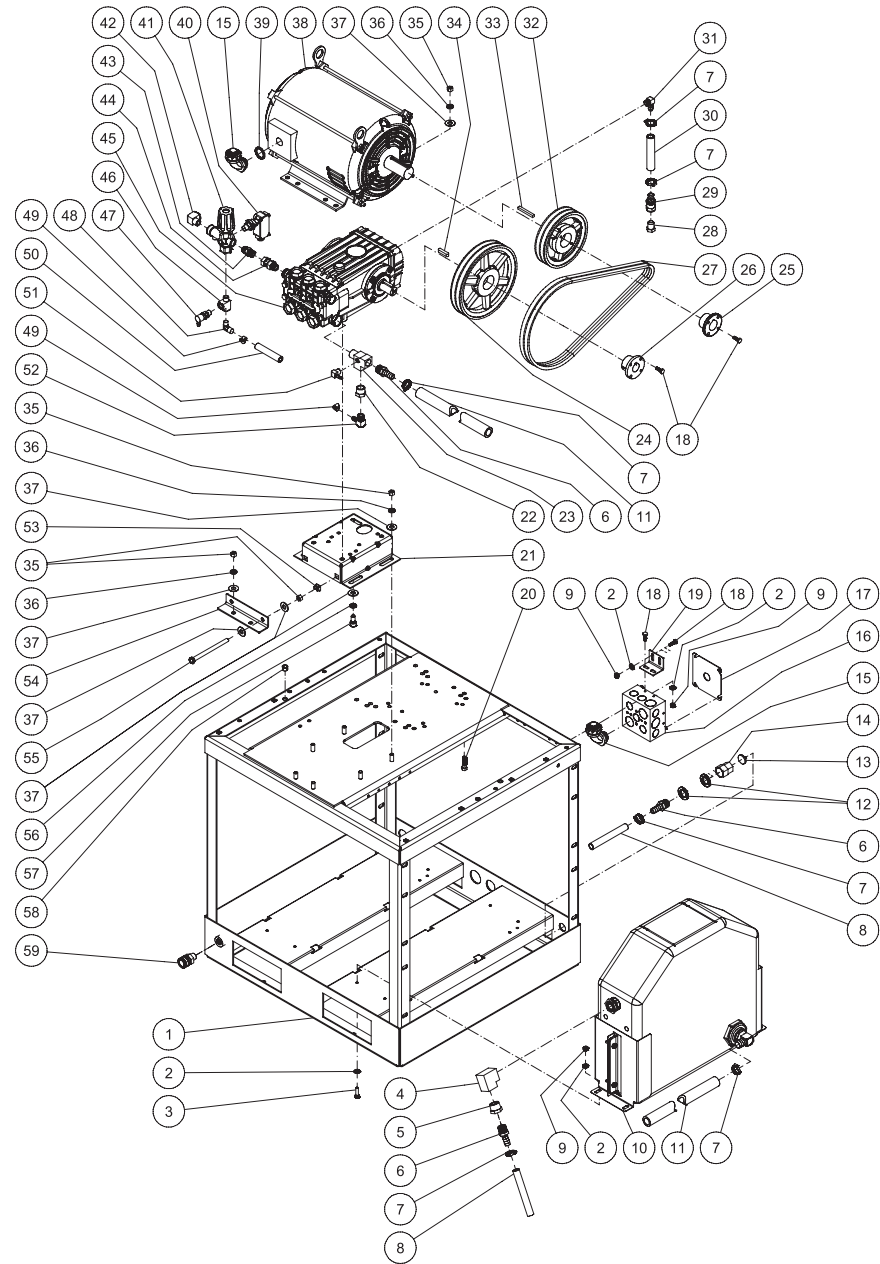
HEG STANDARD UNIT SAFETY DECALS AND SPECS-100809-CH			
DECAL PLACEMENT			
REF. #	DESCRIPTION	PART #	QTY.
1	Decal- Warning: Hot Surface (E/F/S) (See 34-9021)	N/A Sep.	1
2	Decal- White Die Cut 1805 (HEG-1805)	34-2199	1
-	Decal- White Die Cut 2000 (HEG-2004)	34-2209	1
-	Decal- White Die Cut 3000 (HEG-3004, 3005)	34-2214	1
3	Decal- Warning/Caution (E/F/S) (See 34-9021)	N/A Sep.	1
4	Decal- Warning: Risk of Injury/Exposed Pulleys (E/F/S) (See 34-9021)	N/A Sep.	3
5	Decal- Detergent Valve (E/F/S) (See 34-9021)	N/A Sep.	1
6	Decal- Operation (E/F/S) (See 34-9021)	N/A Sep.	1
7	Decal- E-Box Switches Pump/Burner (E/F/S) (See 34-9021)	N/A Sep.	1
8	Decal- Nozzles	34-1298	1
	Safety Decal Kit (Includes 1-2, 4-7)	34-9021	

FRAME ASSEMBLY



HEG STANDARD UNIT ASSY 052809-CH			
FRAME ASSEMBLY			
ITEM	DESCRIPTION	PART #	QTY
1	PANEL	850-0312	1
2	HEG BURNER ASSEMBLY	HEG BURNER ASSY	1
3	PANEL	850-0311	1
4	BOLT	27-0119	4
5	WASHER	28-0023	16
6	HIGH PRESSURE HOSE	15-0186	1
7	HEG MOTOR BASE ASSEMBLY	HEG MOTOR BASE ASSY	1
8	LOCKNUT	30-0159	4
9	PANEL	850-0309	1
10	PANEL	850-0310	1
11	HIGH PRESSURE HOSE	15-0194	1
12	IGNITION CONTROLLER	32-0319	1
13	STAR WASHER	28-1009	9
14	NUT	30-6001	2
15	IGNITOR COVER	20-0656A18	1
16	WASHER	28-0002	18
17	LOCKNUT	30-0155	9
18	BUSHING	9-0092	1
19	STRAINER	19-0056	1
20	CLAMP WORM	42-0004	3
21	DETERGENT VALVE	22-0226	1
22	CONDUIT FLEX *(FOUR FEET REQUIRED)	32-0253	1
23	LOCKWASHER	29-0006	9
24	BOLT	27-0015	18
25	HEG THREE PHASE ELECTRIC BOX ASSEMBLY	HEG THREE PHASE ELECTRIC BOX ASSY	1
-	HEG SINGLE PHASE ELECTRIC BOX ASSY	HEG SINGLE PHASE ELECTRIC BOX ASSY	1
26	BRACKET	20-0626A18	1
27	CONDUIT FLEX *(FOUR FEET REQUIRED)	32-0486	2
28	HOSE *(SIX REQUIRED)	15-0021	1
29	HOSE *(ONE FOOT REQUIRED)	15-0079	1
30	GROMMET	33-0001	6
31	CABINET DOOR	850-0308	1
32	SCREW	27-8835	7
33	CABINET	20-0632A18	1
34	BOLT	27-8807	2
35	CLIP	33-0291	1

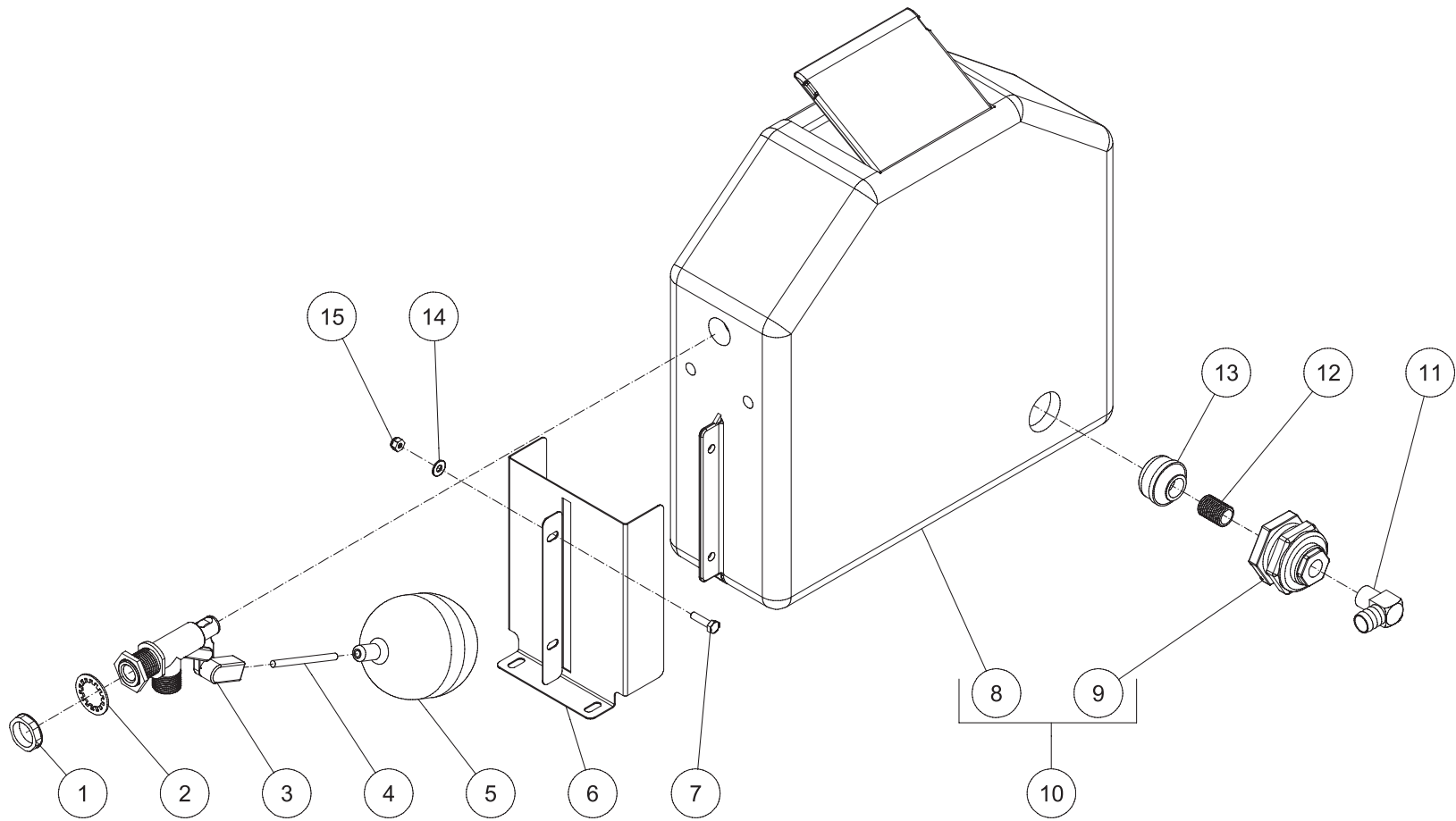
MOTOR BASE ASSEMBLY (AFTER SERIAL #15024154)



HEG MOTOR BASE ASSY-062612-RJA

FRAME ASSEMBLY							
ITEM	DESCRIPTION	PART #	QTY	ITEM	DESCRIPTION	PART #	QTY
1	MOTOR/ PUMP BASE	05-0173A18	1	33	KEY	43-0078	1
2	WASHER	28-0002	12	34	KEY	43-0048	1
3	BOLT	27-0016	4	35	NUT	30-0006	12
4	ELBOW	23-0391	1	36	LOCKWASHER	29-0008	10
5	BUSHING	23-0023	1	37	WASHER	28-0023	15
6	BARB (HEG-2004/3004)	23-0045	3	38	MOTOR 6HP 230V 1PH ODP (HEG-1805/2004-0E2G)	2-0107	1
-	BARB (HEG-1805/3005)	23-0045	2	-	MOTOR 10HP 200V 1PH ODP (HEG-3005-0E8G)	2-0130	1
-	BARB (HEG-1805/3005)	23-0036	1	-	MOTOR 6HP 230V 3PH ODP (HEG1805/2004-0E3G/4G)	2-0108	1
7	HOSE CLAMP (HEG-2004/3004)	42-0011	6	-	MOTOR 10HP 230V 1PH ODP (HEG-3005-0E2G)	2-0132	1
-	HOSE CLAMP (HEG-1805/3005)	42-0011	2	-	MOTOR 8HP 200V 3PH ODP (HEG-3004-0E9G)	2-0129	1
-	CLAMP WORM	42-0003	2	-	MOTOR 8HP 230V 1PH ODP (HEG-3004-0E2G)	2-0109	1
8	HOSE *(THREE FEET REQUIRED) (HEG-1805/3005)	15-0007	1	-	MOTOR 8HP 200V 1PH ODP (HEG-3004-0E8G)	2-0125	1
9	LOCKNUT	30-0155	8	-	MOTOR 6HP 200V 3PH ODP (HEG-1805/2004-0E9G)	2-0127	1
10	FLOAT TANK ASSEMBLY	N/A	1	-	MOTOR 6HP 200V 1PH ODP (HEG-1805/2004-0E8G)	2-0124	1
11	HOSE *(THREE FEET REQUIRED) (HEG-1805/3005)	15-0033	1	-	MOTOR 10HP 230V 3PH ODP (HEG-3005-0E3G/4G)	2-0112	1
-	HOSE *(THREE FEET REQUIRED) (HEG-2004/3004)	15-0007	1	-	MOTOR 10HP 575V 3PH ODP (HEG-3005-0E5G)	2-0113	1
12	WASHER	28-0051	2	-	MOTOR 8HP 575V 3PH ODP (HEG-3004-0E5G)	2-0111	1
13	FILTER	19-0001	(1)	-	MOTOR 10HP 200V 3PH ODP (HEG-3005-0E9G)	2-0131	1
14	SWIVEL	23-0001	1	-	MOTOR - 8HP (HEG-3004-0E3G/4G)	2-0110	1
15	CONDUIT ELBOW	32-0487	2	39	GASKET	26-0314	1
-	CONDUIT STRAIGHT (HEG-1805/2004-0E3G/4G)	32-0488	1	40	PRESSURE SWITCH	22-0171	1
-	CONDUIT 90 ELBOW (HEG-1805/2004-0E3G/4G)	32-0487	1	41	UNLOADER	850-0252	1
16	JUNCTION BOX	32-0310	1	42	ELBOW	23-0034	1
17	BLANK COVER	33-0017	1	43	NIPPLE	24-0002	1
18	BOLT	27-0015	8	44	SWIVEL	24-0037	1
19	BRACKET	20-0626A18	1	45	PUMP	3-0202	1
20	BOLT	27-0118	4	46	TEE	23-0127	1
21	PUMP HAT	5-0153A18	1	47	HEAT DUMP VALVE	22-0408	1
22	REDUCER BUSHING	23-0016	1	48	ELBOW	23-0123	1
23	STREET TEE	23-0388	1	49	CLAMP WORM	42-0004	2
24	SHEAVE	10-0007	1	50	HOSE *(ONE FOOT REQUIRED)	15-0020	1
25	BUSHING (HEG-1805/2004)	9-0010	1	51	ELBOW	23-0054	1
-	BUSHING (HEG-3004/3005)	9-0008	1	52	ELBOW	23-0074	1
26	BUSHING	9-0017	1	53	CLIP NUT	30-6025	2
27	BELT (HEG-1805/3005)	11-0005	2	54	TENSION BRACKET	20-0584A18	1
-	BELT (HEG-2004)	11-0008	2	55	BOLT	27-0133	2
-	BELT (HEG-3004)	11-0057	2	56	LOCKWASHER	29-0055	4
28	PLUG	23-0411	1	57	BOLT	27-8471	4
29	HOSE BARB	23-0360	1	58	SNAP BUSHING	9-0028	1
30	HOSE *(ONE FOOT REQUIRED)	15-0305	1	59	QUICK CONNECT SOCKET	17-0007	1
31	ELBOW	23-0119	1	*MUST ORDER ONE FOOT LENGTHS			
32	SHEAVE (HEG-1805/3005)	10-0104	1				
-	SHEAVE (HEG-3004)	10-0041	1				
-	SHEAVE (HEG-2004)	10-0036	1				

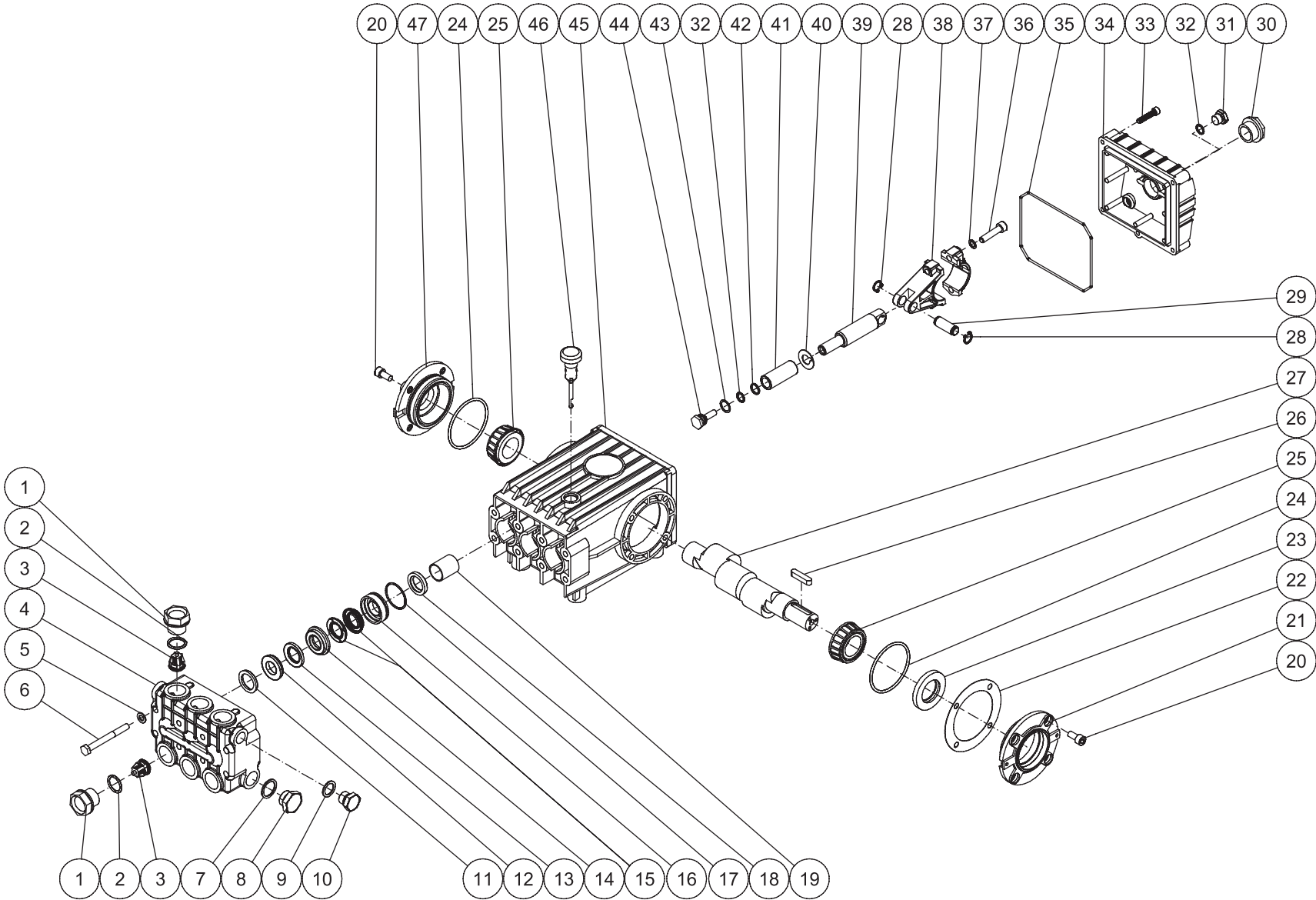
FLOAT TANK ASSEMBLY (AFTER SERIAL #15006770)



HEG FLOAT TANK ASSY-100809-CH

HEG FLOAT TANK ASSY-100809-CH			
FLOAT TANK ASSEMBLY			
REF. #	DESCRIPTION	PART #	QTY.
1	Locknut	23-0428	1
2	Lockwasher	29-0074	1
3	Float Valve	22-0317	1
4	Rod	31-3320	1
5	Float Ball	22-0059	1
6	Float Tank Mounting Bracket	20-0586A18	2
7	Bolt	27-0016	4
8	Float Tank	N/A	1
9	Bulkhead	55-0886	1
10	Float Tank Assembly (Inc. 8-9)	850-0350	1
11	Elbow (HEG-1805/3005)	23-0037	1
-	Elbow (HEG-2004/3004)	23-0418	1
12	Close Nipple	23-0019	1
13	Strainer	19-0203	1
14	Washer	28-0002	4
15	Hex Nut	30-0155	4

PUMP ASSEMBLY (3-0202) (AFTER SERIAL #15045000)



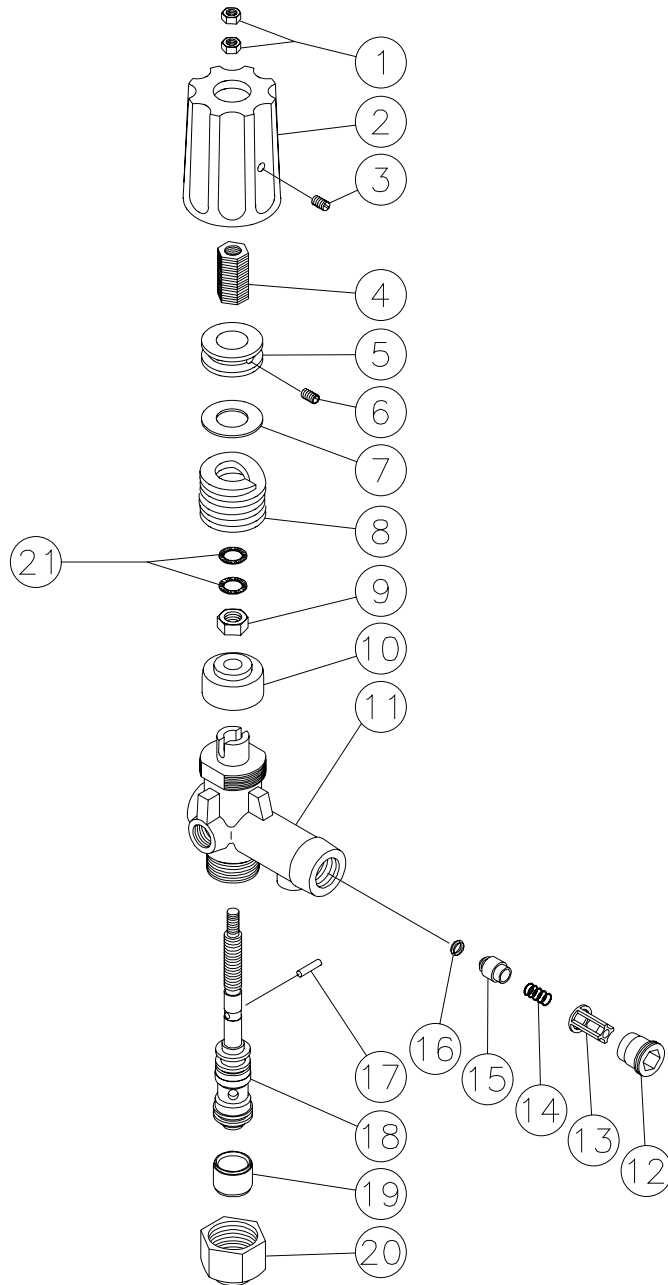
3-0202_3-0203-010408-JJT

PUMP ASSEMBLY

REF. #	DESCRIPTION	PART #	QTY.	REF. #	DESCRIPTION	PART #	QTY.	REF. #	DESCRIPTION	PART #	QTY.
1	Valve Plug	46-0889	6	18	Oil Seal	26-0047	3	35	O-ring Cover	25-0339	1
2	O-ring	25-0012	6	19	Bushing	9-0029	3	36	Bolt	27-8435	6
3	Valve Assembly (See 70-0009)	N/A Sep.	6	20	Bolt	27-8431	8	37	Lockwasher	29-0154	6
4	Manifold	46-0890	1	21	Crankcase Open Cover	46-0296	1	38	Connecting Rod	46-0051	3
5	Flatwasher	28-1039	8	22	Shim	46-0113	1	39	Piston Rod	46-0056	3
6	Bolt	27-8185	8	23	Oil Seal	26-0049	1	40	Washer	46-0146	3
7	Washer	28-1038	2	24	O-ring	25-0013	2	41	Plunger	46-0052	3
8	Plug	39-0019	2	25	Bearing	48-0012	2	42	Back-up Ring	46-0109	3
9	Washer	28-1002	2	26	Key	43-0048	1	43	Washer	28-0400	3
10	Plug	39-0018	2	27	Crankshaft	N/A	1	44	Bolt	46-0069	3
11	O-ring (See 70-0030)	N/A Sep.	3	28	Retaining Ring	46-0103	6	45	Crankcase	46-0047	1
12	V-Packing	26-0098	3	29	Connecting Rod Pin	43-0032	3	46	Oil Dip Stick	46-0144	1
13	Ring	25-0207	3	30	Oil Level Indicator	46-0114	1	47	Crankcase Cover	46-0336	1
14	High Pressure Intermediate Seal Retainer	46-0659	3	31	Plug	39-0017	1		Valve Kit (6 each 3)	70-0009	
15	Low Pressure Seal	N/A Sep.	3	32	O-ring	25-0014	4		Head Ring Kit (1 each 11)	70-0030	
16	Low Pressure Seal Retainer	46-0057	3	33	Bolt	27-8404	5		V-Packing Kit (3 each 12, 13, 15)	70-0147	
17	O-ring	25-0015	3	34	Crankcase Cover	46-0295	1		Intermediate Retainer Kit (3 each 13, 14)	70-0148	
									V-Packing Assembly (3 each 11-13, 15, 17)	852-0122	

UNLOADER (850-0252)

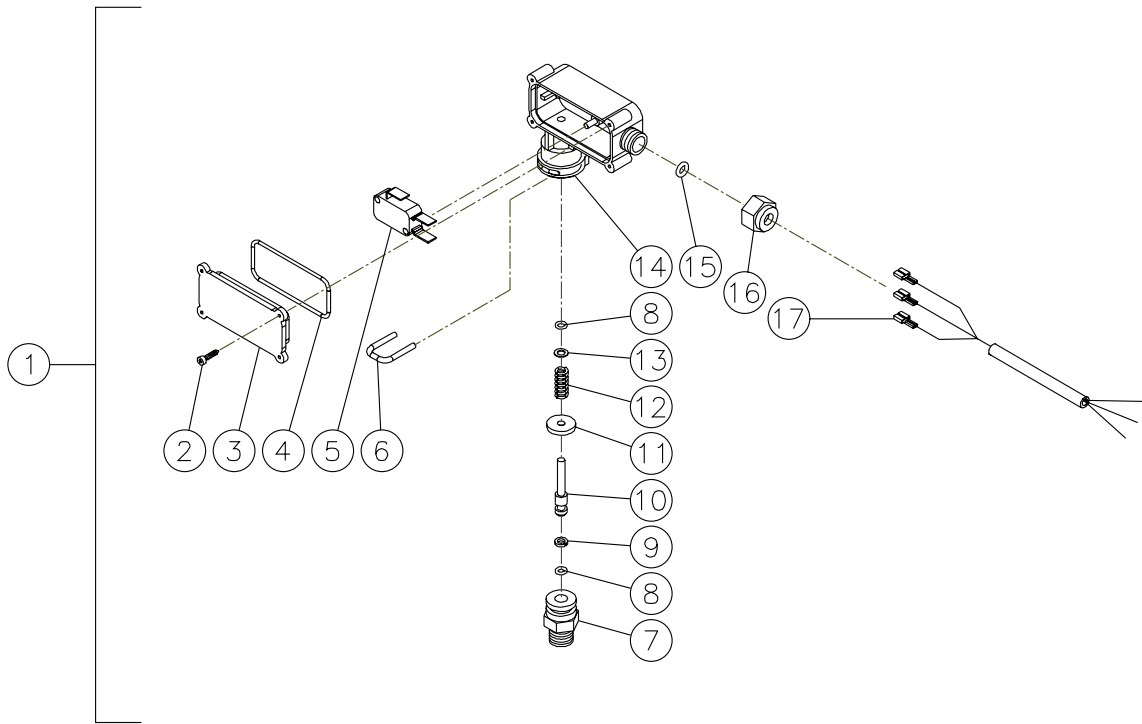
OMGEN163-101298-BAR



UNLOADER (850-0252)			
REF. #	DESCRIPTION	PART #	QTY.
1	Hex Nut	8-0362	2
2	Cover	7-0098	1
3	Set Screw	27-4280	1
4	Adjusting Insert- Brass	8-0363	1
5	Adjustment Nut	8-0364	1
6	Set Screw	8-0365	1
7	Glide Ring	8-0366	1
8	Spring	49-0104	1
9	Hex Nut	8-0367	1
10	Bushing	8-0368	1
11	Unloader Body	8-0369	1
12	Retainer	8-0269	1
13	Valve Housing	8-0104	1
14	Spring	49-0023	1
15	Valve	8-0105	1
16	O-ring	25-0036	1
17	Cylinder Pin	8-0372	1
18	Piston Repair Kit	70-0243	1
19	Spacer	8-0371	1
20	Stop Nut	8-0157	1
21	Washer	29-0154	2
	Check Valve Repair Kit (Includes 13-16)	70-0244	
	Unloader Complete	850-0252	

PRESSURE SWITCH (22-0171)

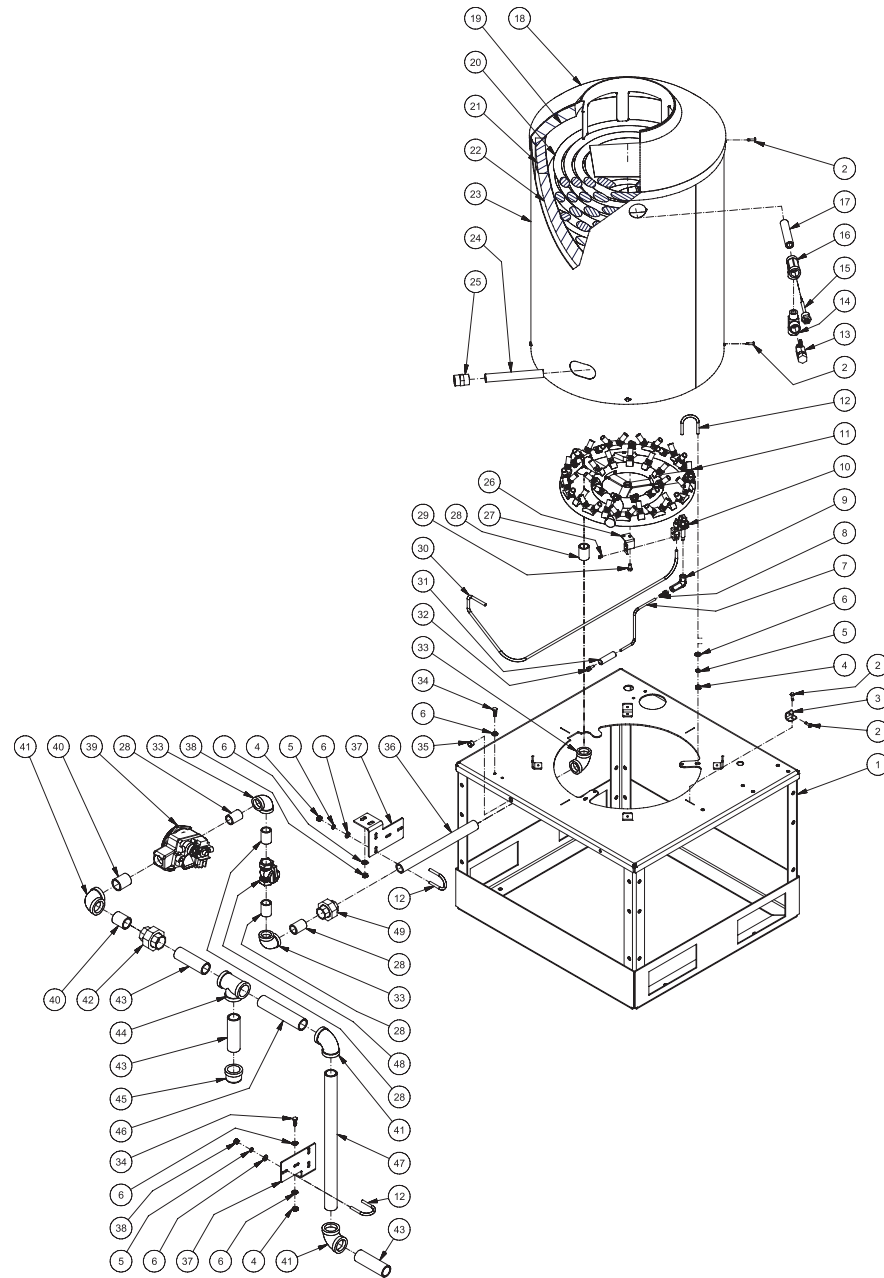
22-0171-120799-BAR



PRESSURE SWITCH (22-0171)			
REF. #	DESCRIPTION	PART #	QTY.
1	Pressure Switch	22-0171	1
2	Screw	N/A	4
3	Cover	N/A	1
4	O-ring (See 70-0306)	N/A Sep.	1
5	Micro Switch	N/A	1
6	Retainer Clip	N/A	1
7	Body	N/A	1
8	O-ring (See 70-0306)	N/A Sep.	2
9	Back-up Ring (See 70-0306)	N/A Sep.	1
10	Piston	N/A	1
11	Washer	N/A	1
12	Spring	49-0144	1
13	Washer	N/A	1
14	Plastic Housing	N/A	1
15	O-ring (See 70-0306)	N/A Sep.	1
16	Nut	N/A	1
17	Wire Assembly	N/A	1
	O-ring Repair Kit (Inc. 4, 8-9, 15)	70-0306	

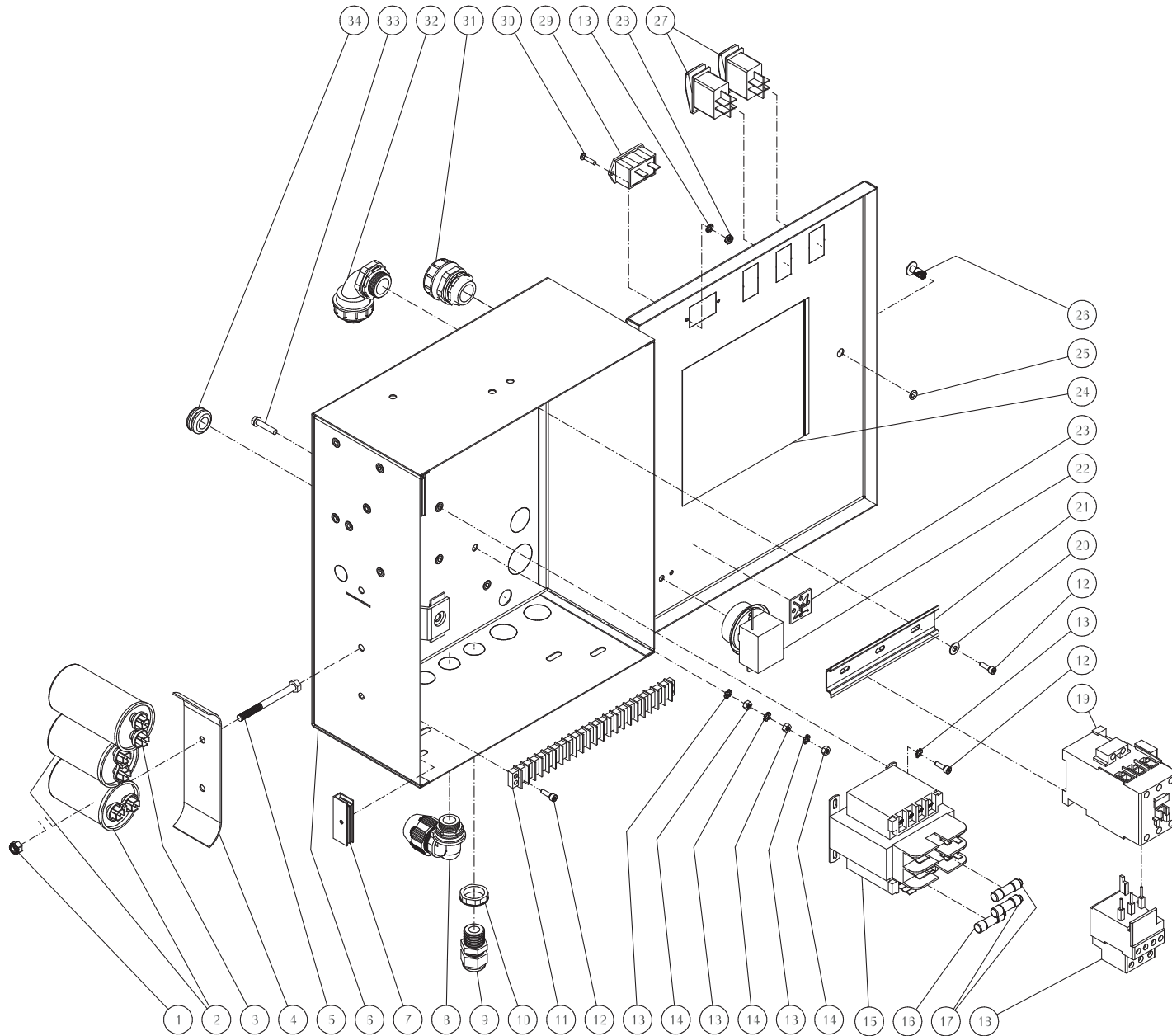
22-0171 & 22-0243-120799-BAR

BURNER ASSEMBLY (AFTER SERIAL #15015061)



BURNER ASSEMBLY							
REF. #	DESCRIPTION	PART #	QTY.	REF. #	DESCRIPTION	PART #	QTY.
1	COIL BASE ASSEMBLY	5-0174A18	1	26	IGNITOR BRACKET	21-0188	1
2	SCREW	27-3064	16	27	SLOT PAN	27-2096	2
3	COIL RETAINER CLIP	20-0651A18	4	28	CLOSE NIPPLE	24-0095	5
4	HEX NUT	30-0002	8	29	BOLT	27-0014	2
5	LOCKWASHER	29-0006	8	30	TUBING *(THREE FEET REQUIRED)	54-0027	1
6	WASHER	28-0002	16	31	HEAT SHRINK *(ONE FOOT REQUIRED)	33-0219	1
7	IGNITER WIRE	44-0117	1	32	TERMINAL	32-0221	1
8	SPARK PLUG TERMINAL	44-0119	1	33	ELBOW	24-0102	3
9	BOOT	44-0118	1	34	BOLT	27-0015	4
10	PILOT BURNER IGNITOR	44-0115	1	35	SNAP BUSHING	9-0028	1
11	NATURAL GAS ASPERATING RING BURNER	4-0011	1	36	PIPE NIPPLE	24-0258	1
12	U-BOLT	31-2008	4	37	PLUMBING BRACKET	20-0667A18	2
13	SAFETY RELIEF VALVE	22-0309	1	38	LOCKNUT	30-0155	4
14	STREET TEE	24-0242	1	39	NATURAL GAS REGULATING VALVE	22-0144	1
15	ADJUSTABLE THERMOSTAT	32-0962	1	40	CLOSE NIPPLE	24-0012	2
16	TEE	24-0055	1	41	ELBOW	24-0096	3
17	PIPE NIPPLE	24-0244	1	42	UNION	24-0259	1
18	DOME ASSEMBLY	20-0621A18	1	43	PIPE NIPPLE	24-0260	3
19	INSULATION DONUT	850-0315	1	44	TEE	24-0261	1
20	HEAT EXCHANGER COIL ASSEMBLY	66-0016	1	45	CAP	24-0262	1
21	INSULATION STRIP	850-0314	1	46	PIPE	24-0097	1
22	INSULATION BLANKET	850-0313	1	47	PIPE NIPPLE	24-0263	1
23	OUTERWRAP ASSEMBLY	20-0634A18	1	48	BALL VALVE	22-0336	1
24	PIPE NIPPLE	24-0254	1	49	UNION	24-0101	1
25	ADAPTER	24-0243	1	*MUST ORDER IN ONE FOOT LENGTHS			

SINGLE PHASE ELECTRIC BOX ASSEMBLY

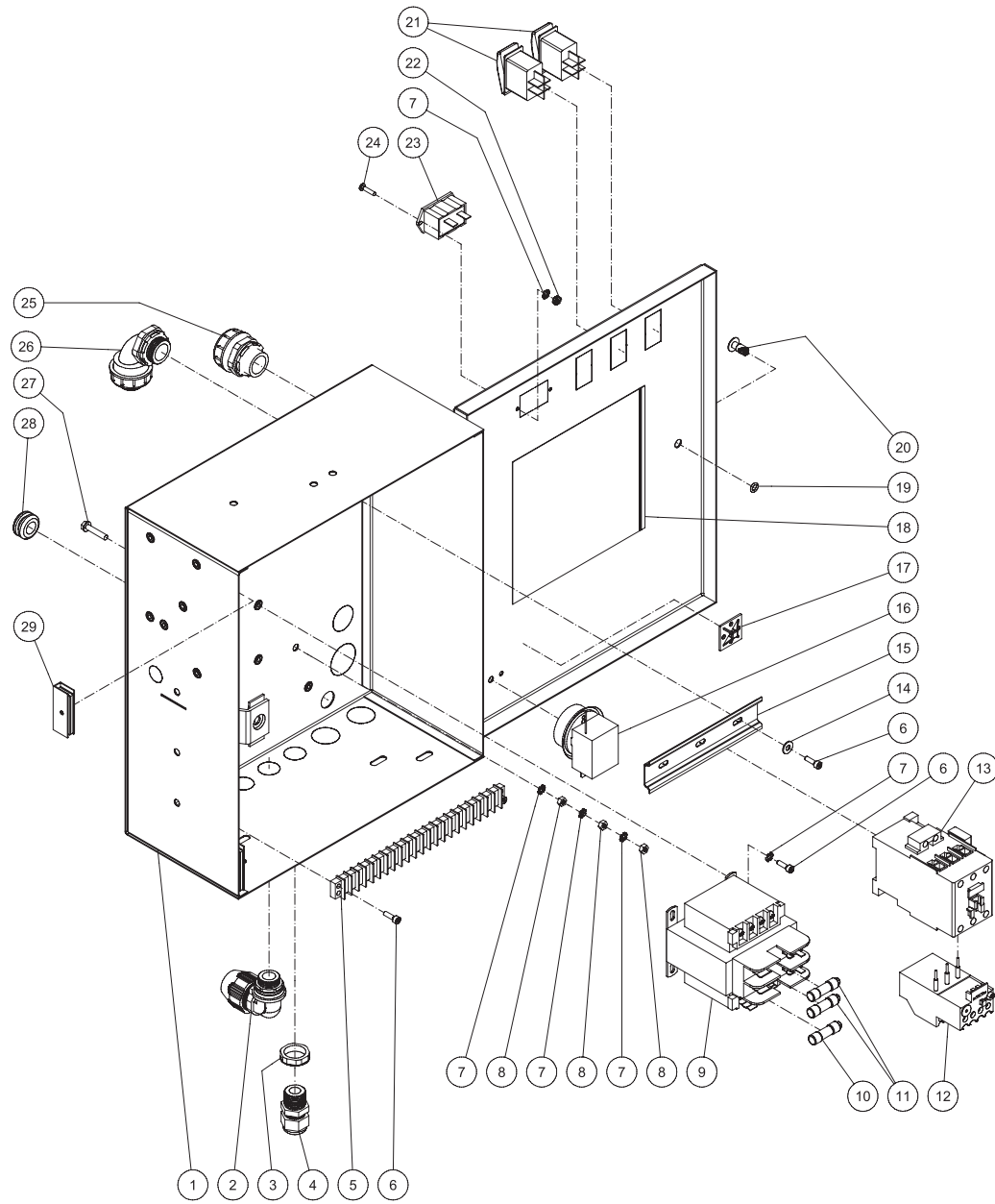


HEG SINGLE PHASE ELECTRIC BOX ASSY-080212-MLK

SINGLE PHASE ELECTRIC BOX ASSEMBLY								
ITEM	DESCRIPTION	PART #	QTY	ITEM	DESCRIPTION	PART #	QTY	
1	LOCKNUT (HEG-3004/3005-0E2G)	30-0155	2	-	FUSE (HEG-1805/2004/3004/3005-0E8G)	32-0742	1	
-	LOCKNUT (HEG-1805/2004-0E2/8G)	30-0155	1	18	OVERLOAD RELAY (HEG-1805/2004-0E2G)	32-1074	1	
2	CAPACITOR - RUN W/ MOTOR (HEG-3005-0E2/8G)	32-0748	2	-	OVERLOAD RELAY (HEG-3005-0E2/8G)	32-0490	1	
-	CAPACITOR - RUN W/ MOTOR (HEG-1805/2004/3004-0E2/8G)	32-0519	1	-	OVERLOAD RELAY (HEG-3004-0E2/8G)	32-0485	1	
3	CAPACITOR - START (W/MOTOR) (HEG-1805/2004-0E2/8G)	32-0686	1	-	OVERLOAD RELAY (HEG-1805/2004-0E8G)	32-1073	1	
-	CAPACITOR - START (W/MOTOR) (HEG-3004/3005-0E2/8G)	32-0747	2	19	CONTACTOR - 30AMP (HEG-1805/2004-0E2G)	32-0597	1	
4	CAPACITOR CLAMP (HEG-3004-0E2/8G)	20-0538A01	1	-	CONTACTOR - 45 AMP (HEG-1805/2004-0E8G, HEG-3004-0E2/8G)	32-0328	1	
-	CAPACITOR CLAMP (HEG-3005/0E2/8G)	20-0467	2	-	CONTACTOR - 60 AMP (HEG-3005-0E2/8)	32-0598	1	
-	CAPACITOR CLAMP (HEG-1805/2004-0E2/8G)	20-0467	1	20	WASHER	28-0001	2	
5	BOLT (HEG-3004/3005-0E2/8G)	27-0024	2	21	DIN RAIL *(ONE FOOT REQUIRED)	32-0316	1	
-	BOLT (HEG-1805/2004-0E2/8G)	27-0024	1	22	ADJUSTABLE THERMOSTAT	32-0962	1	
6	ELECTRIC BOX	32-0739A18	1	23	MOUNTING BASE	32-0621	6	
7	MAGNETIC CATCH	33-0390	2	24	PLASTIC ZIPLOCK BAG	41-0184	1	
8	CONDUIT ELBOW	32-0254	1	25	O-RING	25-0209	1	
9	STRAIN RELIEF	32-0437	1	26	FASTENER	33-0197	1	
10	ELECTRICAL LOCKNUT	32-0108	1	27	ROCKER SWITCH	32-0731	2	
11	TERMINAL STRIP	32-0463	1	28	NUT (HX-0106 OPTION)	30-0052	2	
12	SCREW	27-8835	8	29	HOUR METER (HX-0106 OPTION)	32-0668	1	
13	STAR WASHER	28-1009	9	30	SCREW (HX-0106 OPTION)	27-8881	2	
14	NUT	30-6001	3	31	CONDUIT STRAIGHT	32-0488	1	
15	TRANSFORMER	32-0735	1	32	CONDUIT ELBOW	32-0487	1	
16	FUSE	32-0743	1	33	BOLT	27-8807	1	
17	FUSE (HEG-1805/2004/3004/3005-0E2G)	32-0741	1	34	GROMMET	33-0001	1	

*MUST ORDER IN ONE FOOT LENGTHS

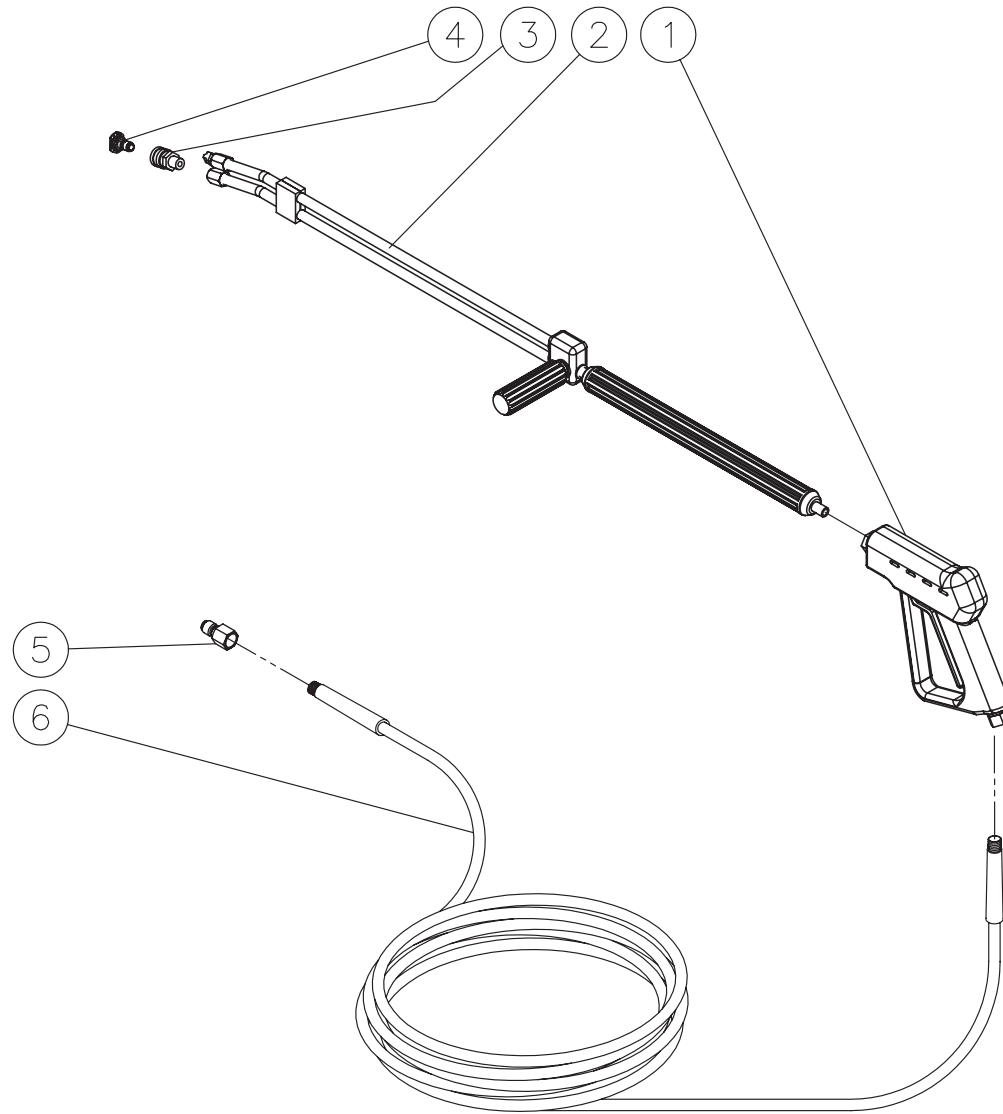
THREE PHASE ELECTRIC BOX ASSEMBLY



HEG STANDARD UNIT THREE PHASE ELECTRIC
BOX ASSY-041410-CAW

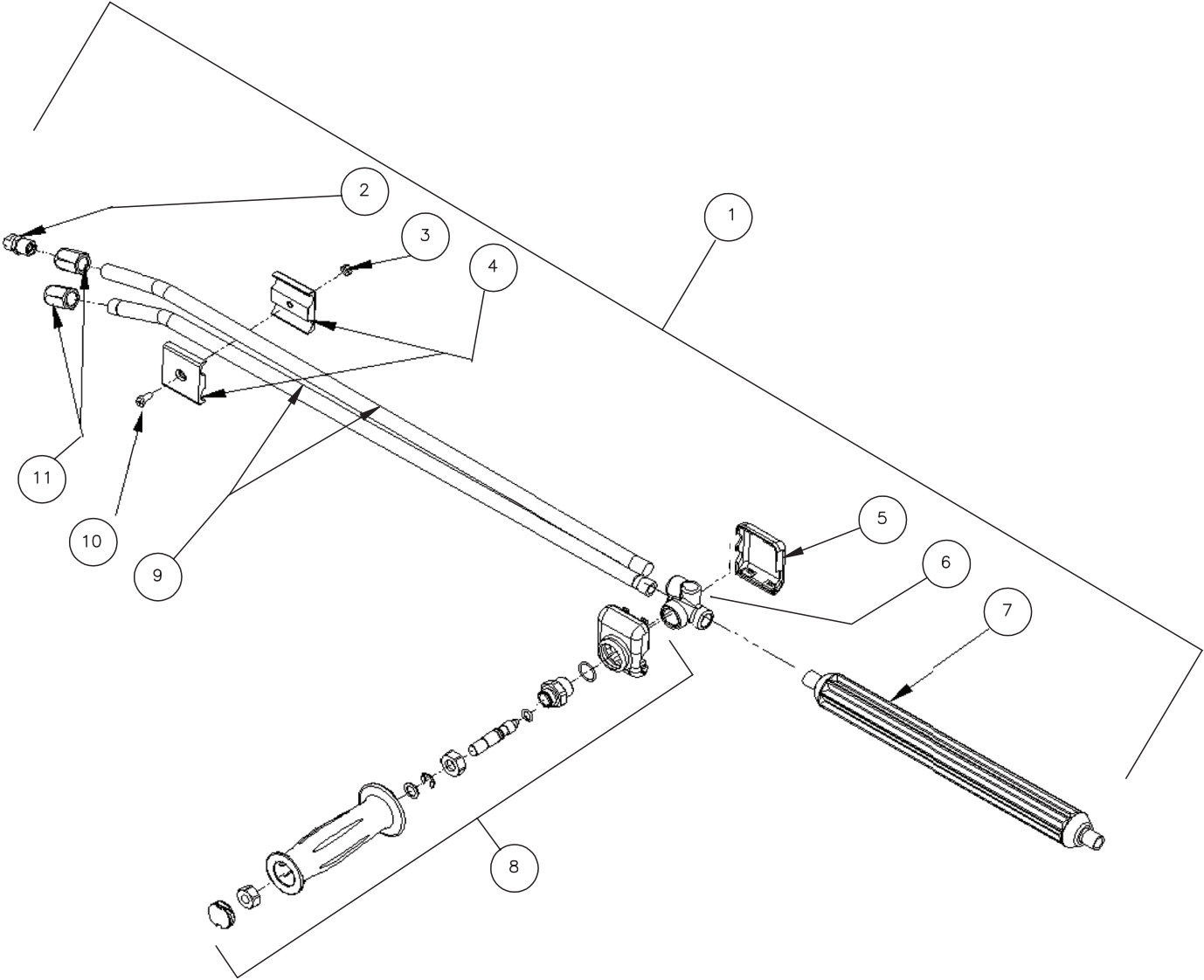
FRAME ASSEMBLY			
ITEM	DESCRIPTION	PART #	QTY
1	ELECTRIC BOX	32-0739A18	1
2	CONDUIT ELBOW	32-0254	1
3	ELECTRICAL LOCKNUT	32-0108	1
4	STRAIN RELIEF	32-0437	1
5	TERMINAL STRIP	32-0463	1
6	SCREW	27-8835	8
7	STAR WASHER	28-1009	9
8	NUT	30-6001	3
9	TRANSFORMER	32-0735	1
-	TRANSFORMER - 24V 100A (HEG-3004/3005-0E5G ONLY)	32-0914	1
10	FUSE	32-0743	1
11	FUSE (0E3G)	32-0741	2
-	FUSE (0E9G)	32-0742	2
-	FUSE (0E5G)	32-0467	2
-	FUSE (0E4G)	32-0740	2
12	OVERLOAD RELAY (HEG-1805/2004/3004-0E3G, HEG-1805/2004-0E9G)	32-0483	1
-	OVERLOAD 24.5-30A (HEG-3004-0E9G, HEG-3005-0E3G)	32-1074	1
-	OVERLOAD RELAY - 10-16AMP (HEG-3004/3005-0E4/5G)	32-0482	1
-	OVERLOAD RELAY - 6-10AMP (HEG-1805/2004-0E4G)	32-0481	1
13	CONTACTOR - 30AMP (HEG-1805/2004/3005-0E3G, HEG-1805/2004/3004-0E9G)	32-0597	1
-	CONTACTOR - 16 AMP 3 POLE (HEG-1805/2004/3004/3005-0E4G, HEG-3004/3005-0E5G)	32-0327	1
-	CONTACTOR - 24AMP 3 POLE (HEG-3004-0E3G)	32-0329	1
-	CONTACTOR - 45 AMP 3 POLE (HEG-3005-0E9G)	32-0328	1
14	WASHER	28-0001	2
15	DIN RAIL *(ONE FOOT REQUIRED)	32-0316	1
16	ADJUSTABLE THERMOSTAT	32-0962	1
17	MOUNTING BASE	32-0621	1
18	PLASTIC ZIPLOCK BAG	41-0184	1
19	O-RING	25-0209	1
20	FASTENER	33-0197	1
21	ROCKER SWITCH	32-0731	2
22	NUT (HX-0106)	30-0052	2
23	HOUR METER (HX-0106)	32-0668	1
24	SCREW (HX-0106)	27-8881	2
25	CONDUIT STRAIGHT	32-0488	1
26	CONDUIT ELBOW	32-0487	1
27	BOLT	27-8807	1
28	GROMMET	33-0001	1
29	MAGNETIC CATCH	33-0390	2

GUN/WAND/HOSE ASSEMBLY (AFTER SERIAL #15024154)



HEG GUN WAND HOSE ASSY-060413 ALC			
GUN/WAND/HOSE ASSEMBLY			
REF. #	DESCRIPTION	PART #	QTY.
1	Gun Assembly	16-0446	1
2	Dual Lance 48" (HEG 3005)	16-0417	1
-	Dual Lance 36" (HEG 1803/2004/3004)	16-0416	1
3	Quick Connect Socket	17-0028	1
4	Nozzle- 0004.5 (HEG-3004)	18-0402	1
-	Nozzle- 1504.5 (HEG-3004)	18-0403	1
-	Nozzle- 2504.5 (HEG-3004)	18-0404	1
-	Nozzle- 4004.5 (HEG-3004)	18-0405	1
-	Nozzle- 0005.5 (HEG-3005)	18-0410	1
-	Nozzle- 1505.5 (HEG-3005)	18-0411	1
-	Nozzle- 2505.5 (HEG-3005)	18-0412	1
-	Nozzle- 4005.5 (HEG-3005)	18-0413	1
-	Nozzle- 0006 (HEG-2004)	18-0414	1
-	Nozzle- 1506 (HEG-2004)	18-0415	1
-	Nozzle- 2506 (HEG-2004)	18-0416	1
-	Nozzle- 4006 (HEG-2004)	18-0417	1
-	Nozzle- 0007 (HEG-1805)	18-0007	1
-	Nozzle- 1507 (HEG-1805)	18-0008	1
-	Nozzle- 2507 (HEG-1805)	18-0009	1
-	Nozzle- 4007 (HEG-1805)	18-0032	1
5	Quick Connect Plug	17-0006	1
6	High Pressure Hose Assembly 4500 PSI	15-0166	1
-	High Pressure Hose Assembly 3000 PSI	15-0146	1

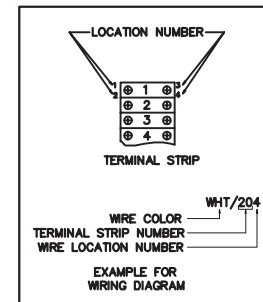
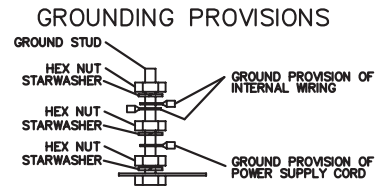
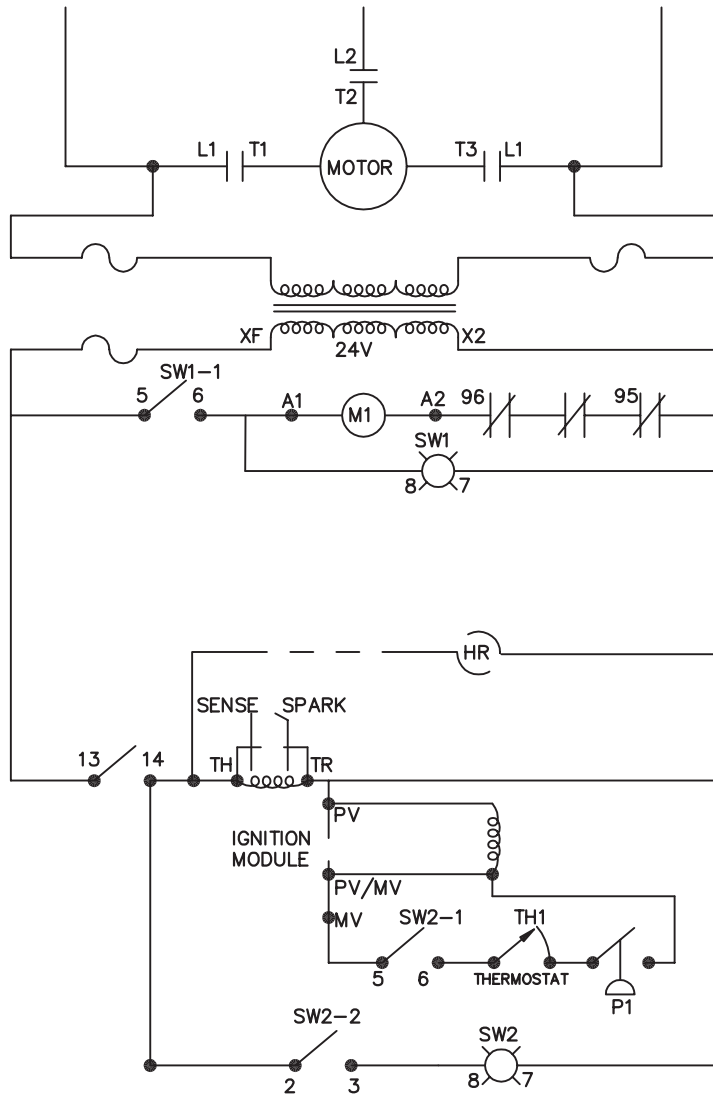
DUAL LANCE ASSEMBLY (16-0416 & 16-0417)



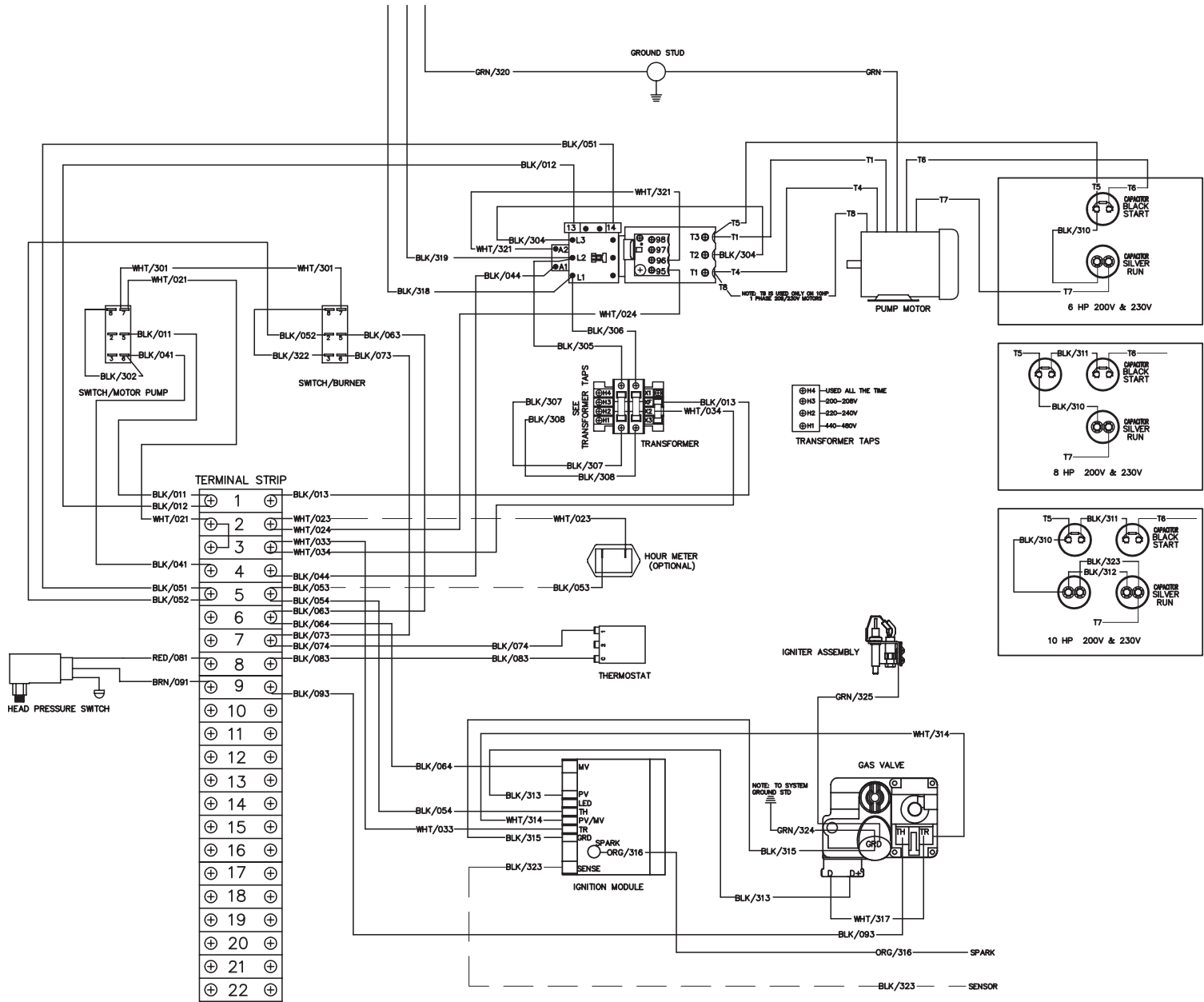
16-0416_16-0417-102405-RZ

DUAL LANCE ASSEMBLY (16-0416 & 16-0417)			
REF. #	DESCRIPTION	PART #	QTY.
1	Dual Lance Assembly - 36" (Inc. 2-11)	16-0416	1
-	Dual Lance Assembly - 48" (Inc. 2-11)	16-0417	1
2	Detergent Nozzle	18-0110	1
3	Nut	30-6001	1
4	Clamp	16-0420	2
5	Lower Valve Cover (See 16-0416 or 16-0417)	N/A Sep.	1
6	Housing (See 16-0416 or 16-0417)	N/A Sep.	1
7	Lance	16-0419	1
8	Handle Repair Kit	70-0419	1
9	Lance (See 16-0416)	N/A Sep.	2
-	Lance (See 16-0417)	N/A Sep.	2
10	Screw	27-8196	1
11	Nozzle Adapter	24-0280	2

WIRE SCHEMATIC SINGLE PHASE

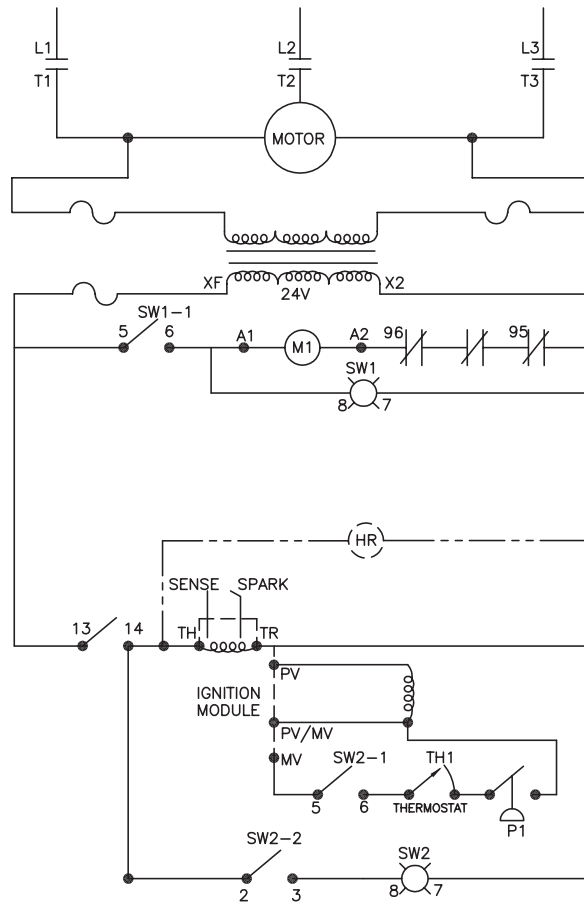


WIRE DIAGRAM SINGLE PHASE

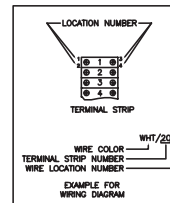
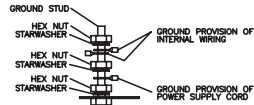


WD HEG STANDARD 1 PHASE 021510 CH

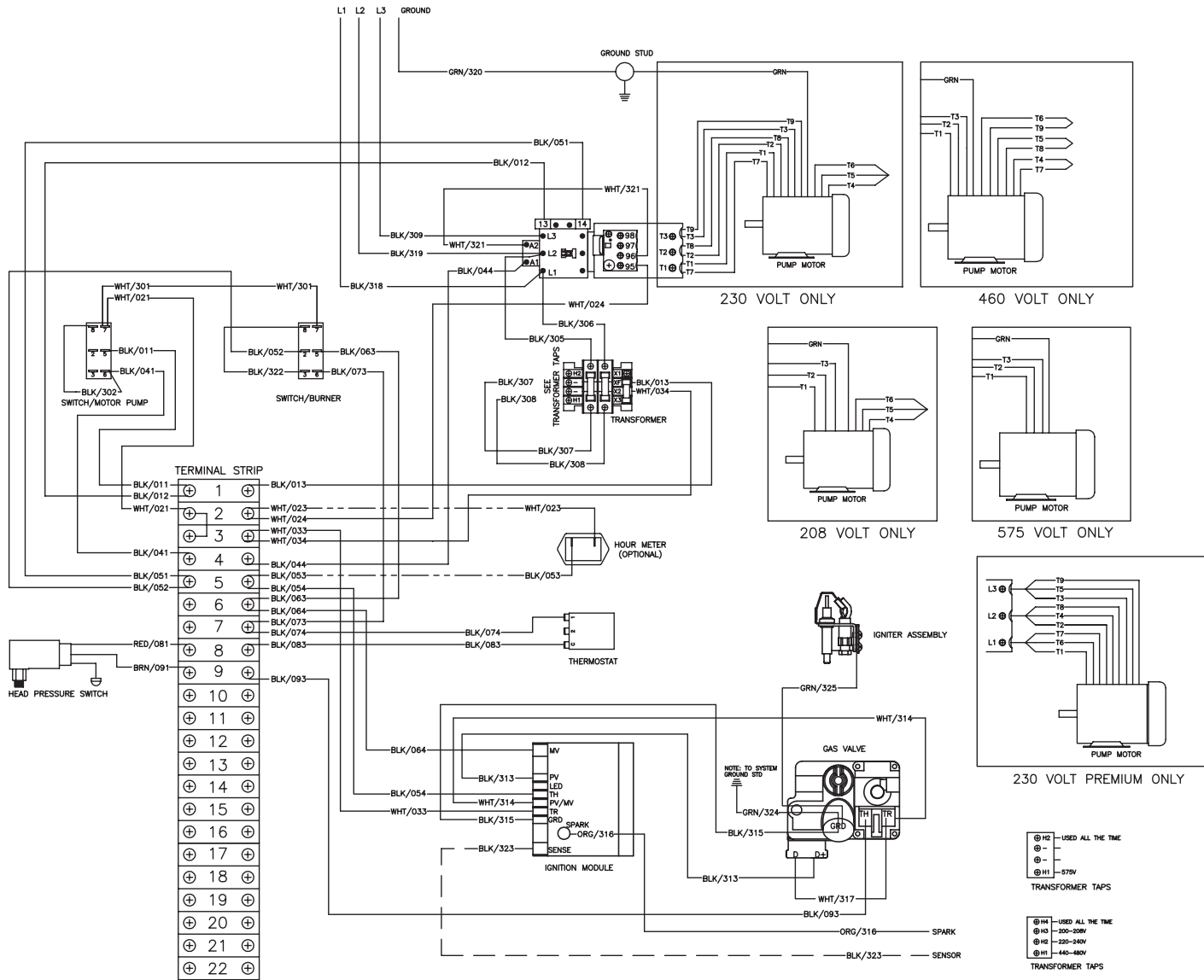
WIRE SCHEMATIC THREE PHASE



GROUNDING PROVISIONS



WIRE DIAGRAM THREE PHASE



WD HEG STANDARD 3 PHASE 092611 MLK

OPTION LISTINGS

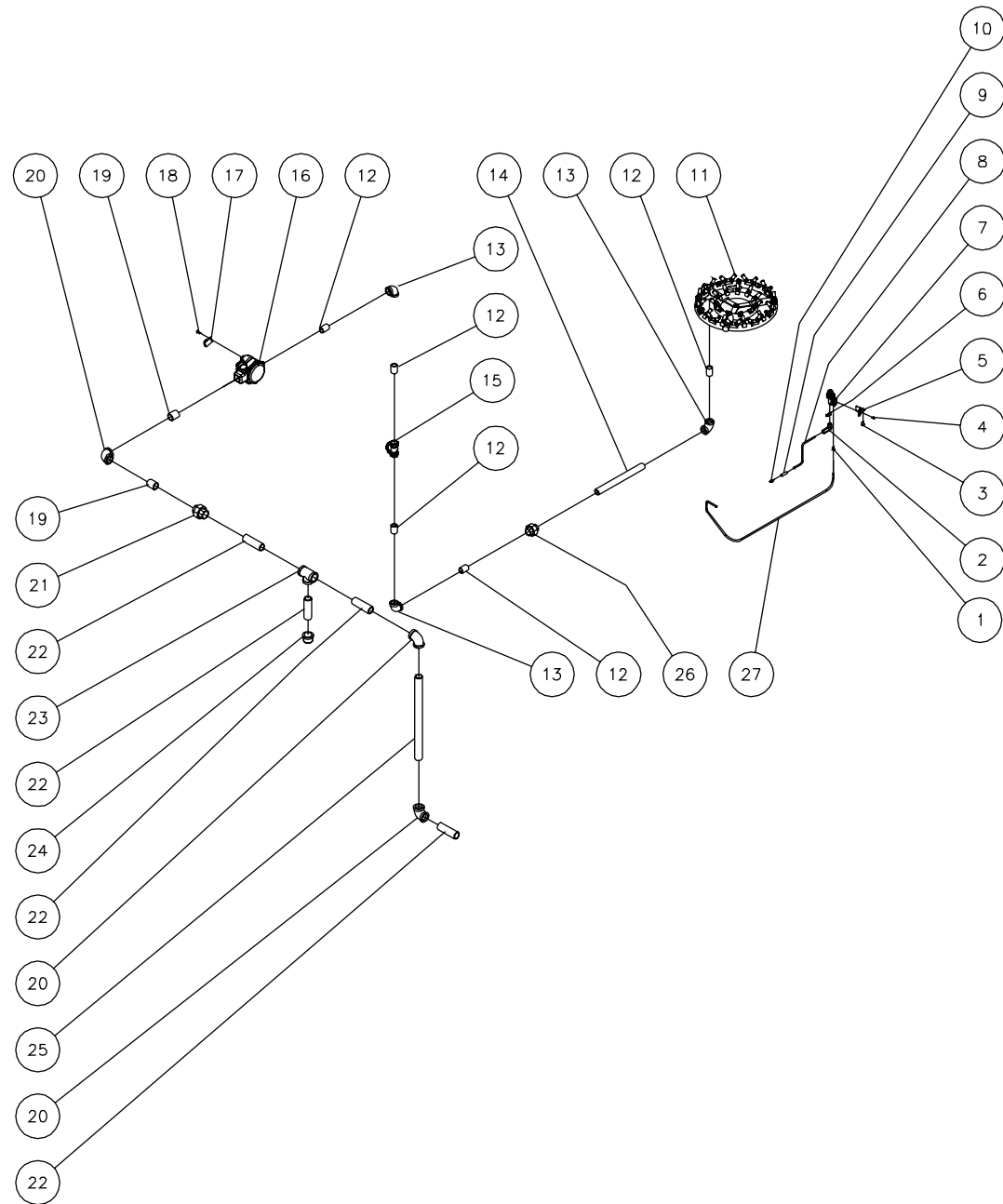
L.P. BURNER ASSEMBLY (HX-0105)	40
SINGLE PHASE ELECTRIC BOX ASSEMBLY W/AUTO START OR TIME DELAY (HX-0107 AND HX-0111)	42
THREE PHASE ELECTRIC BOX ASSEMBLY W/ AUTO START OR TIME DELAY (HX-0107 AND HX-0111).....	44
REMOTE JUNCTION BOX (HX-0108, HX-0109 AND HX-0124)	46
REMOTE BOX ASSEMBLY (HX-0108, HX-0109, HX-0110 AND HX-0124).....	47
SINGLE PHASE ELECTRIC BOX ASSEMBLY W/ TIME DELAY OR AUTO START/STOP AND REMOTES (HX-0108, HX-0109 AND HX-0124)	48
THREE PHASE ELECTRIC BOX ASSEMBLY W/ TIME DELAY OR AUTO START/STOP AND REMOTES (HX-0108, HX-0109 AND HX-0124)	50
DETERGENT SOLENOID FOR TIME DELAY AND REMOTES (HX-0108, HX-0109 AND HX-0124)	52
AUTO START/STOP PLUMBING (HX-0111 AND HX-0124) (AFTER SERIAL #15021777).....	53
K7 OPTION (HX-0104 AND HX-0112) (AFTER SERIAL #15021777).....	54
DUAL GUN OPTION (HX-0113 AND HX-0114)	55
STAINLESS STEEL MODULAR PANELS AND COIL WRAP OPTION (HX-0115 AND HX-0116)	56
BOX PANEL OPTION (HX-0117).....	58
STAINLESS STEEL BOX PANEL OPTION (HX-0118).....	60
STEAM OPTION (HX-0119, HX-0120 AND HX-0121) (AFTER SERIAL #15021777).....	61
WIRE SCHEMATIC SINGLE PHASE WITH TIME DELAY (HX-0107)	62
WIRE DIAGRAM SINGLE PHASE WITH TIME DELAY (HX-0107)	63
WIRE SCHEMATIC SINGLE PHASE WITH REMOTES (HX-0108)	64
WIRE DIAGRAM SINGLE PHASE WITH REMOTES (HX-0108)	65
WIRE SCHEMATIC SINGLE PHASE WITH TIME DELAY AND REMOTES (HX-0109).....	66
WIRE DIAGRAM SINGLE PHASE WITH TIME DELAY AND REMOTES (HX-0109).....	67
WIRE SCHEMATIC SINGLE PHASE WITH AUTO START/STOP (HX-0111)	68
WIRE DIAGRAM SINGLE PHASE WITH AUTO START/STOP (HX-0111)	69
WIRE SCHEMATIC SINGLE PHASE WITH AUTO START/STOP AND REMOTES (HX-0124).....	70
WIRE DIAGRAM SINGLE PHASE WITH AUTO START/STOP AND REMOTES (HX-0124).....	71
WIRE SCHEMATIC THREE PHASE WITH TIME DELAY (HX-0107)	72
WIRE DIAGRAM THREE PHASE WITH TIME DELAY (HX-0107)	73
WIRE SCHEMATIC THREE PHASE WITH REMOTES (HX-0108).....	74
WIRE DIAGRAM THREE PHASE WITH REMOTES (HX-0108).....	75
WIRE SCHEMATIC THREE PHASE WITH TIME DELAY AND REMOTES (HX-0109).....	76
WIRE DIAGRAM THREE PHASE WITH TIME DELAY AND REMOTES (HX-0109).....	77
WIRE SCHEMATIC THREE PHASE WITH AUTO/START STOP (HX-0111).....	78
WIRE DIAGRAM THREE PHASE WITH AUTO/START STOP (HX-0111).....	79
WIRE SCHEMATIC THREE PHASE WITH AUTO/START STOP AND REMOTES (HX-0124).....	80
WIRE DIAGRAM THREE PHASE WITH AUTO/START STOP AND REMOTES (HX-0124)	81
WIRE DIAGRAM FOR REMOTE BOX (HX-0108 AND HX-0110).....	82

OPTION LISTINGS

<u>OPTION</u>	<u>DESCRIPTION</u>		
HX-0104	K7 UNLOADER OPTION	HX-0114	DUAL GUN OPTION (HEG-3005 ONLY)
HX-0105	LIQUID PROPANE OPTION	HX-0115	STAINLESS STEEL MODULAR PANELS OPTION
HX-0106	HOURLY METER OPTION	HX-0116	STAINLESS STEEL COIL WRAP OPTION
HX-0107	TIME DELAY OPTION	HX-0117	PAINTED BOX KIT OPTION
HX-0108	FIRST REMOTE BOX OPTION	HX-0118	PAINTED AND STAINLESS STEEL BOX KIT OPTION
HX-0109	TIME DELAY AND FIRST REMOTE BOX OPTION	HX-0119	STEAM 1805 OPTION
HX-0110	ADDITIONAL REMOTE BOX OPTION	HX-0120	STEAM 2004 OPTION
HX-0111	AUTO START/STOP OPTION	HX-0121	STEAM 3004 OPTION
HX-0112	K7 UNLOADER OPTION	HX-0122	STEAM 3005 OPTION
HX-0113	DUAL GUN OPTION (HEG-1805 ONLY)	HX-0124	AUTO START/STOP AND FIRST REMOTE OPTION

<p>WIRE SCHEMATIC/DIAGRAM:</p> <p>HEG-1805/2004/3004/3005-0E2G/8G:</p> <p style="padding-left: 40px;">TIME DELAY (HX-0107)</p> <p style="padding-left: 40px;">REMOTES (HX-0108)</p> <p style="padding-left: 40px;">TIME DELAY AND REMOTES (HX-0109)</p> <p style="padding-left: 40px;">AUTO START/STOP (HX-0111)</p> <p style="padding-left: 40px;">AUTO START/STOP AND REMOTES (HX-0124)</p> <p>HEG-1805/2004/3004/3005-0E3G/9G:</p> <p style="padding-left: 40px;">TIME DELAY (HX-0107)</p> <p style="padding-left: 40px;">REMOTES (HX-0108)</p> <p style="padding-left: 40px;">TIME DELAY AND REMOTES (HX-0109)</p> <p style="padding-left: 40px;">AUTO START/STOP (HX-0111)</p> <p style="padding-left: 40px;">AUTO START/STOP AND REMOTES (HX-0124)</p>	<p>HEG-1805/2004/3004/3005-0E4G:</p> <p style="padding-left: 40px;">TIME DELAY (HX-0107)</p> <p style="padding-left: 40px;">REMOTES (HX-0108)</p> <p style="padding-left: 40px;">TIME DELAY AND REMOTES (HX-0109)</p> <p style="padding-left: 40px;">AUTO START/STOP (HX-0111)</p> <p style="padding-left: 40px;">AUTO START/STOP AND REMOTES (HX-0124)</p> <p style="padding-left: 40px;">REMOTE BOX WIRING</p> <p style="padding-left: 40px;">REMOTE ONLY (HX-0108 AND HX-0110)</p> <p style="padding-left: 40px;">REMOTE AND TIME DELAY (HX-0109 AND HX-0110)</p> <p style="padding-left: 40px;">REMOTE AND AUTO START/STOP (HX-0110 AND HX-0124)</p>
--	--

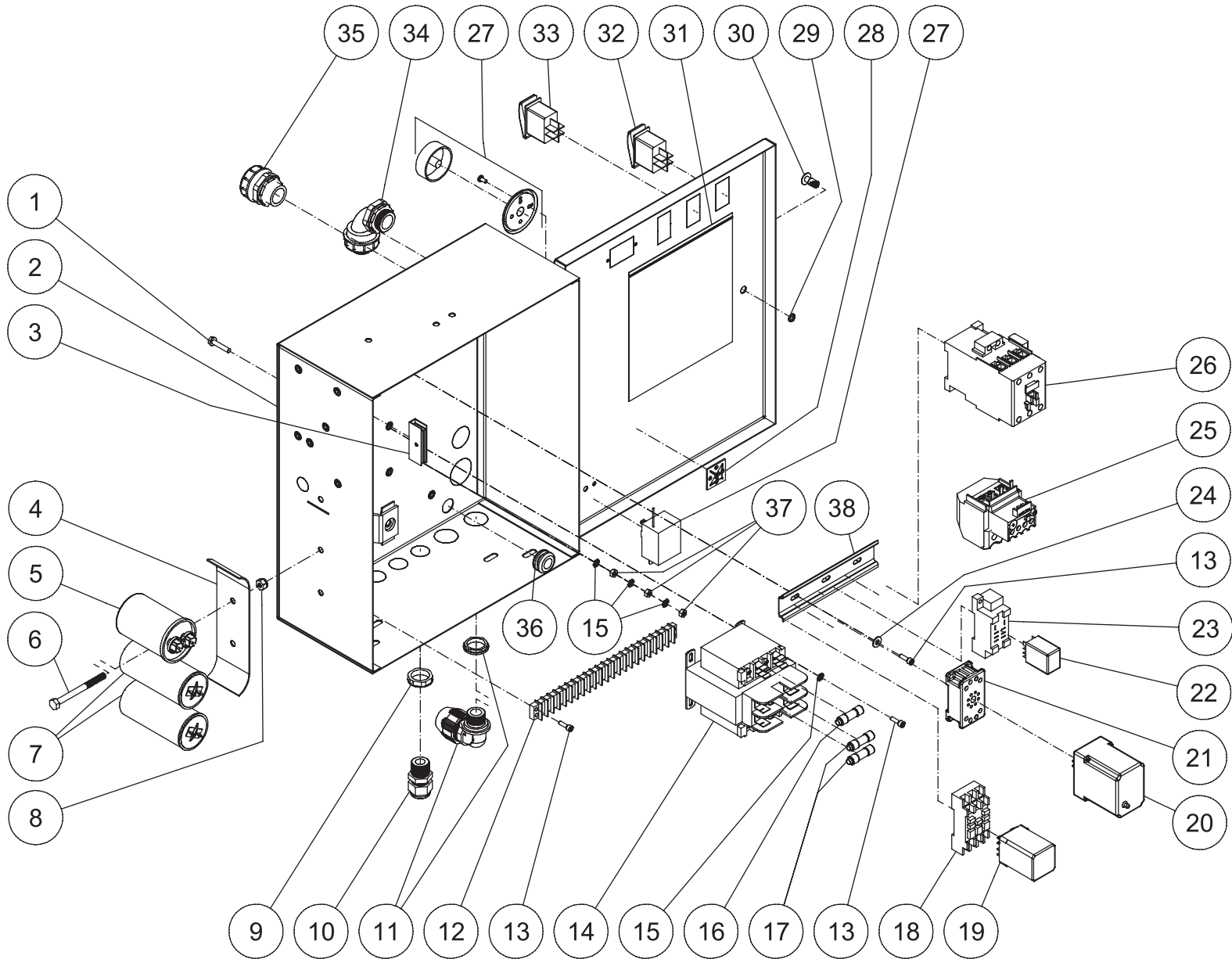
L.P. BURNER ASSEMBLY (HX-0105)



HEG LP BURNER ASSY-012803-KZ

L.P. BURNER ASSEMBLY (HX-0105)								
REF. #	DESCRIPTION	PART #	QTY.		REF. #	DESCRIPTION	PART #	QTY.
1	L.P. Pilot Orifice	44-0116	1		15	Ball Valve	22-0336	1
2	Boot	44-0118	1		16	Natural Gas Regulating Valve	850-0150	1
3	Bolt	27-0014	2		17	Regulator Kit	70-0077	1
4	Screw	27-2096	2		18	Screw (See 70-0077)	N/A Sep.	2
5	Ignitor Bracket	13-0107A01	1		19	Close Nipple	24-0012	2
6	Spark Plug Terminal	44-0119	1		20	Elbow	24-0096	3
7	Pilot Burner Ignitor	44-0115	1		21	Union	24-0259	1
8	Ignitor Wire *(Four Feet Required)	44-0117	1		22	Pipe Nipple	24-0260	4
9	Heat Shrink *(One Foot Required)	33-0219	1		23	Tee	24-0261	1
10	Terminal	32-0221	1		24	Cap	24-0262	1
11	Natural Gas Asperating Ring Burner	4-0012	1		25	Pipe Nipple	24-0263	1
12	Close Nipple	24-0095	5		26	Union	24-0101	1
13	Elbow	24-0102	3		27	Tubing *(Three Feet Required)	54-0027	1
14	Pipe Nipple	24-0258	1		*Must Order in One Foot Lengths			

SINGLE PHASE ELECTRIC BOX ASSEMBLY W/AUTO START OR TIME DELAY (HX-0107 AND HX-0111)



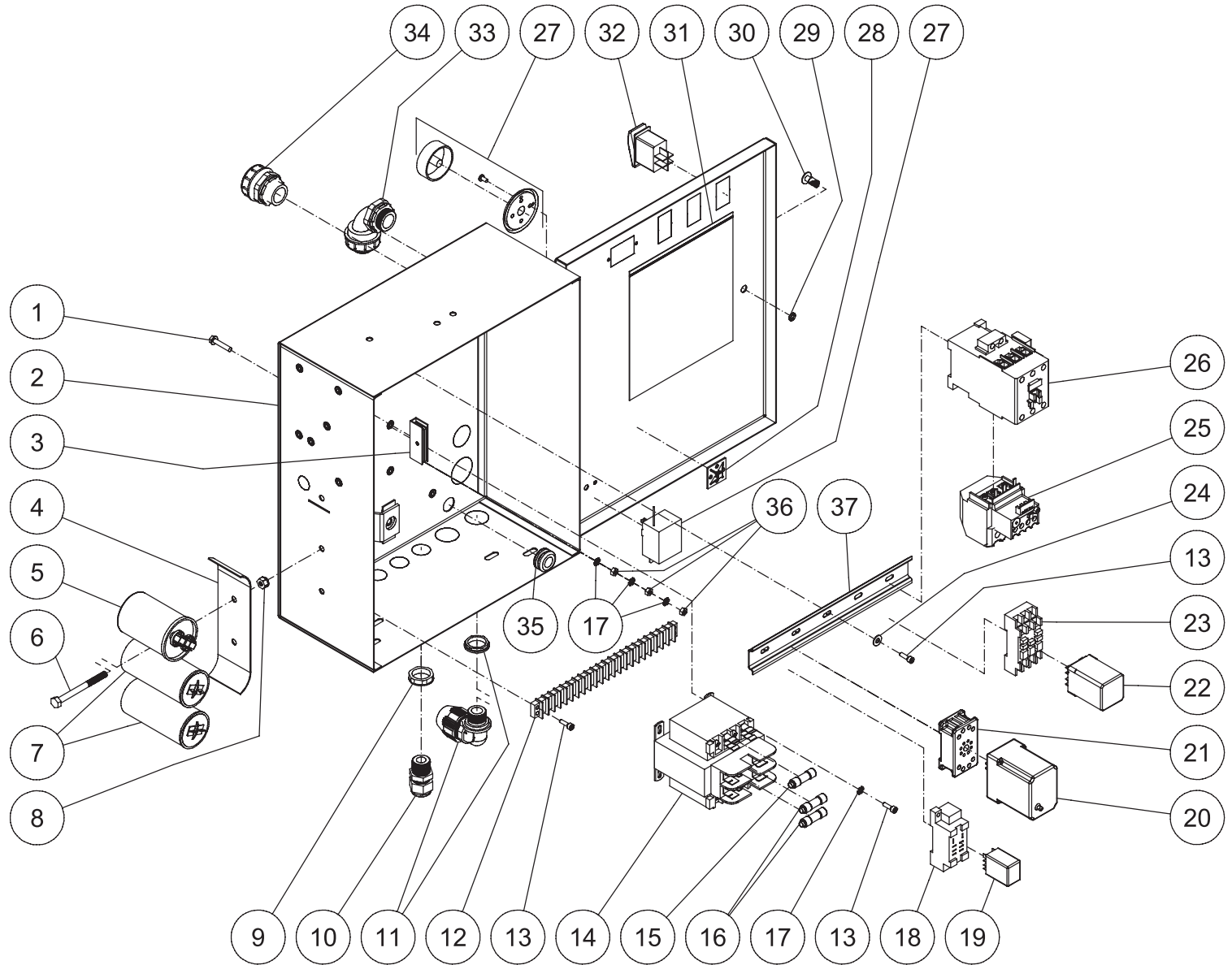
HEG SINGLE PHASE ELE. BOX ASSY W/
AUTO START OR TIME DELAY-020410-CH

SINGLE PHASE ELECTRIC BOX ASSEMBLY W/ AUTO START OR TIME DELAY (HX-0107 AND HX-0111)

REF. #	DESCRIPTION	PART #	QTY.	REF. #	DESCRIPTION	PART #	QTY.
1	Bolt	27-8807	1	19	Latching Relay (HX-0107)	32-0736	1
2	Electric Box Assembly	32-0739A18	1	20	Off Delay Timer	32-0314	1
3	Magnetic Catch w/Adhesive	33-0390	1	21	Timer Base Socket	32-0315	1
4	Capacitor Clamp (HEG-3004)	20-0538A01	1	22	Relay	32-0320	1
-	Capacitor Clamp (HEG-3005)	20-0467	2	23	Relay Socket	32-0321	1
-	Capacitor Clamp (HEG-1805, 2004)	20-0467	1	24	Washer	28-0001	3
5	Start Capacitor w/Motor (HEG-3004, 3005)	32-0747	1	25	Overload (HEG-1805; 2004-0E2G) (HEG-3004-0E2G/8G)	32-0485	1
-	Start Capacitor w/Motor (HEG-1805, 2004)	32-0686	1	-	Overload (HEG-1805; 2004-0E2G)	32-0484	1
6	Bolt (HEG-1805, 2004)	27-0024	2	-	Overload (HEG-3005-0E2G/8G)	32-0490	1
-	Bolt (HEG-3004, 3005)	27-0024	1	26	Contactora (HEG-1805; 2004-0E2G)	32-0597	1
7	Run Capacitor w/Motor	32-0748	2	-	Contactora (HEG-1805; 2004-0E8G) (HEG-3004-0E2G/8G)	32-0328	1
-	Run Capacitor w/Motor	32-0519	1	-	Contactora (HEG-3005)	32-0598	1
8	Locknut (HEG-3004, 3005)	30-0155	2	27	Adjustable Thermostat	32-0962	1
-	Locknut (HEG-1805, 2004)	30-0155	1	28	Ty-rap Mounting Base w/Adhesive	32-0621	6
9	Locknut	32-0108	2	29	O-ring	25-0209	1
10	Strain Relief	32-0437	2	30	Fastener	33-0197	1
11	Conduit Elbow	32-0254	1	31	Envelope	41-0184	1
12	Terminal Strip	32-0463	1	32	Rocker Switch (HX-0107)	32-0732	1
13	Screw	27-8835	7	-	Rocker Switch (HX-0111)	32-0731	2
14	Transformer	32-0735	1	33	Rocker Switch (HX-0107)	32-0731	1
15	Lockwasher	28-1009	7	34	Conduit Elbow	32-0487	1
16	Primary Fuse	32-0743	1	35	Conduit Connector	32-0488	1
17	Primary Fuse (HEG-0E8G)	32-0742	2	36	Grommet	33-0001	1
-	Primary Fuse (HEG-0E2G)	32-0741	2	37	Hex Nut	30-6001	3
18	Relay Base (HX-0107)	32-0737	1	38	Din Rail *(One Foot Required)	32-0316	1

*Must Order in One Foot Lengths

THREE PHASE ELECTRIC BOX ASSEMBLY W/ AUTO START OR TIME DELAY (HX-0107 AND HX-0111)



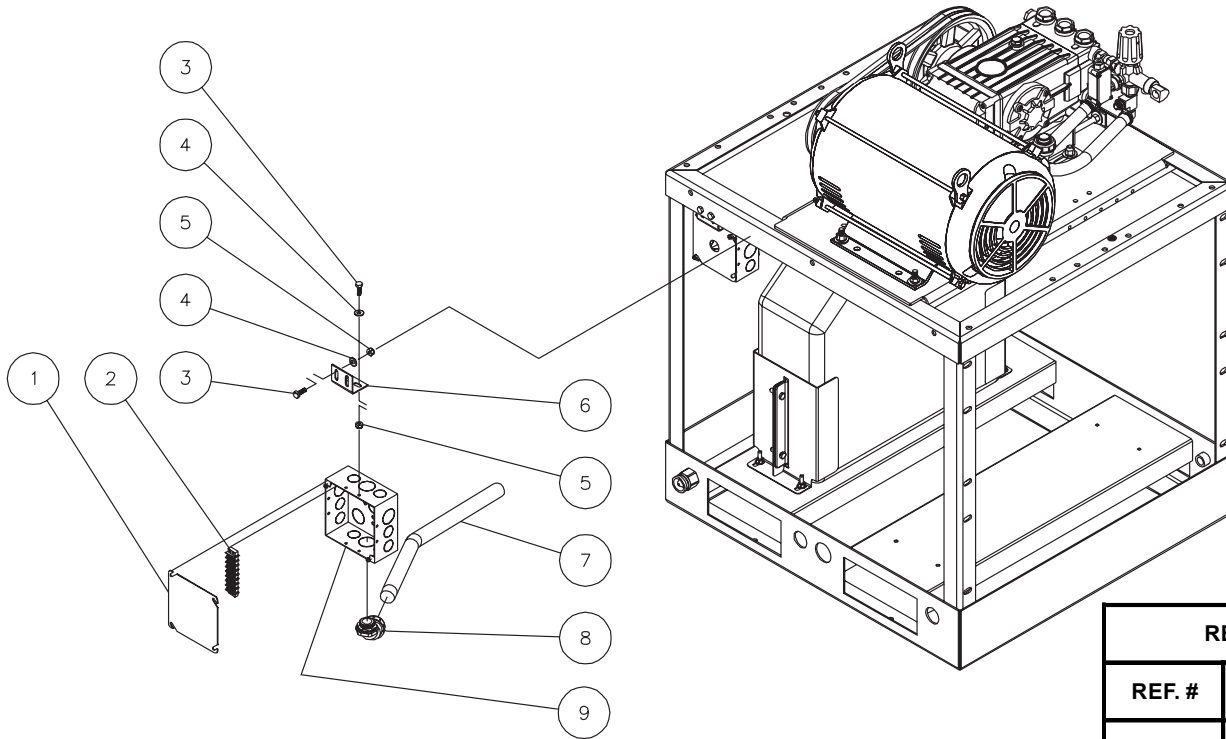
HEG THREE PHASE ELE. BOX ASSY W/
 AUTO START OR TIME DELAY-020410-CH

SINGLE PHASE ELECTRIC BOX ASSEMBLY WITH AUTO START STOP OR TIME DELAYS AND REMOTES

ITEM	DESCRIPTION	PART #	QTY	ITEM	DESCRIPTION	PART #	QTY
1	BOLT	27-8807	1	18	SOCKET - RELAY 8 PIN (HX-0109; HX-0124)	32-0321	1
2	ELECTRIC BOX	32-0739A18	1	19	RELAY - 24V (HX-0109; HX-0124)	32-0320	1
3	MAGNETIC CATCH	33-0390	1	20	TIMER - OFF DELAY 24VOLT (HX-0109; HX-0124)	32-0314	1
4	CAPACITOR CLAMP (HEG-3004-0E2G/8G)	20-0538A01	1	21	SOCKET - TIMER 24VOLT (HX-0109; HX-0124)	32-0315	1
-	CAPACITOR CLAMP (HEG-1805; 2004-0E2G/8G)	20-0467	1	22	RELAY - LATCHING	32-0736	3
-	CAPACITOR CLAMP (HEG-3005-0E2G/8G)	20-0467	2	23	BASE - RELAY	32-0737	3
5	CAPACITOR (HEG-3004; 3005-0E2G/8G)	32-0747	2	24	WASHER	28-0001	3
-	CAPACITOR (HEG-1805; 2004-0E2G/8G)	32-0686	1	25	OVERLOAD RELAY (HEG-1805; 2004-0E2G)	32-0484	1
6	BOLT (HEG-3004; 3005-0E2G/8G)	27-0024	2	-	OVERLOAD RELAY (HEG-1805; 2004-0E8G) (HEG-3004-0E2G/8G)	32-0485	1
-	BOLT (HEG-1805; 2004-0E2G/8G)	27-0024	1	-	OVERLOAD RELAY (HEG-3005-0E2G/8G)	32-0490	1
7	CAPACITOR (HEG-3005-0E2G/8G)	32-0748	2	26	CONTACTOR - 30AMP (HEG-1805; 2004-0E2G)	32-0597	1
-	CAPACITOR (HEG-1805; 2004; 3004-0E2G/8G)	32-0519	1	-	CONTACTOR - 45 AMP (HEG-1805; 2004-0E8G) (HEG-3004-0E2G/8G)	32-0328	1
8	LOCKNUT (HEG-3004; 3005-0E2G/8G)	30-0155	2	-	CONTACTOR - 60 AMP (HEG-3005-0E2G/8G)	32-0598	1
-	LOCKNUT (HEG-1805; 2004-0E2G/8G)	30-0155	1	27	ADJUSTABLE THERMOSTAT	32-0962	1
9	ELECTRICAL LOCKNUT	32-0108	2	28	MOUNTING BASE	32-0621	6
10	STRAIN RELIEF	32-0437	2	29	O-RING	25-0209	1
11	CONDUIT ELBOW	32-0254	1	30	FASTENER	33-0197	1
12	TERMINAL STRIP	32-0463	1	31	PLASTIC ZIPLOCK BAG	41-0184	1
13	SCREW	27-8835	7	32	ROCKER SWITCH	32-0732	3
14	TRANSFORMER	32-0735	1	33	CONDUIT ELBOW	32-0487	1
15	FUSE (HEG-1805; 2004; 3004; 3005-0E2G/8G)	32-0743	1	34	CONDUIT STRAIGHT	32-0488	1
16	FUSE (HEG-1805; 2004; 3004; 3005-0E2G)	32-0741	2	35	GROMMET	33-0001	1
-	FUSE (HEG-1805; 2004; 3004; 3005-0E8G)	32-0742	2	36	NUT	30-6001	3
17	STAR WASHER	28-1009	5	37	DIN RAIL *(ONE FOOT REQUIRED)	32-0316	1

*MUST ORDER IN ONE FOOT LENGTHS

REMOTE JUNCTION BOX (HX-0108, HX-0109 AND HX-0124)

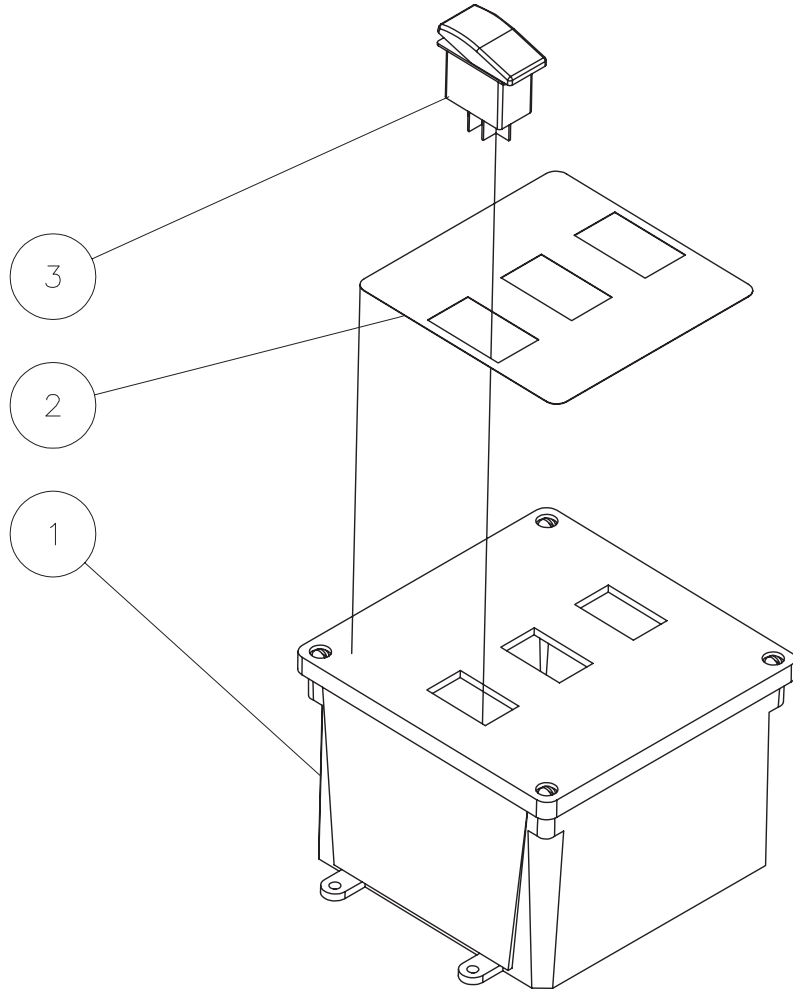


HEG REMOTE JUNCTION BOX-032202-BAR

REMOTE JUNCTION BOX (HX-0108, HX-0109 AND HX-0124)			
REF. #	DESCRIPTION	PART #	QTY.
1	Cover	32-0750	1
2	Terminal Strip	32-0436	2
3	Bolt	27-0015	4
4	Washer	28-0002	4
5	Locknut	30-0155	4
6	Electric Box Bracket	20-0626A18	1
7	Conduit *(One Foot Required)	32-0486	1
8	Conduit Elbow	32-0487	1
9	Electric Junction Box	32-0749	1
*Must Order in One Foot Lengths			

HEG REMOTE JUNCTION BOX-032202-BAR

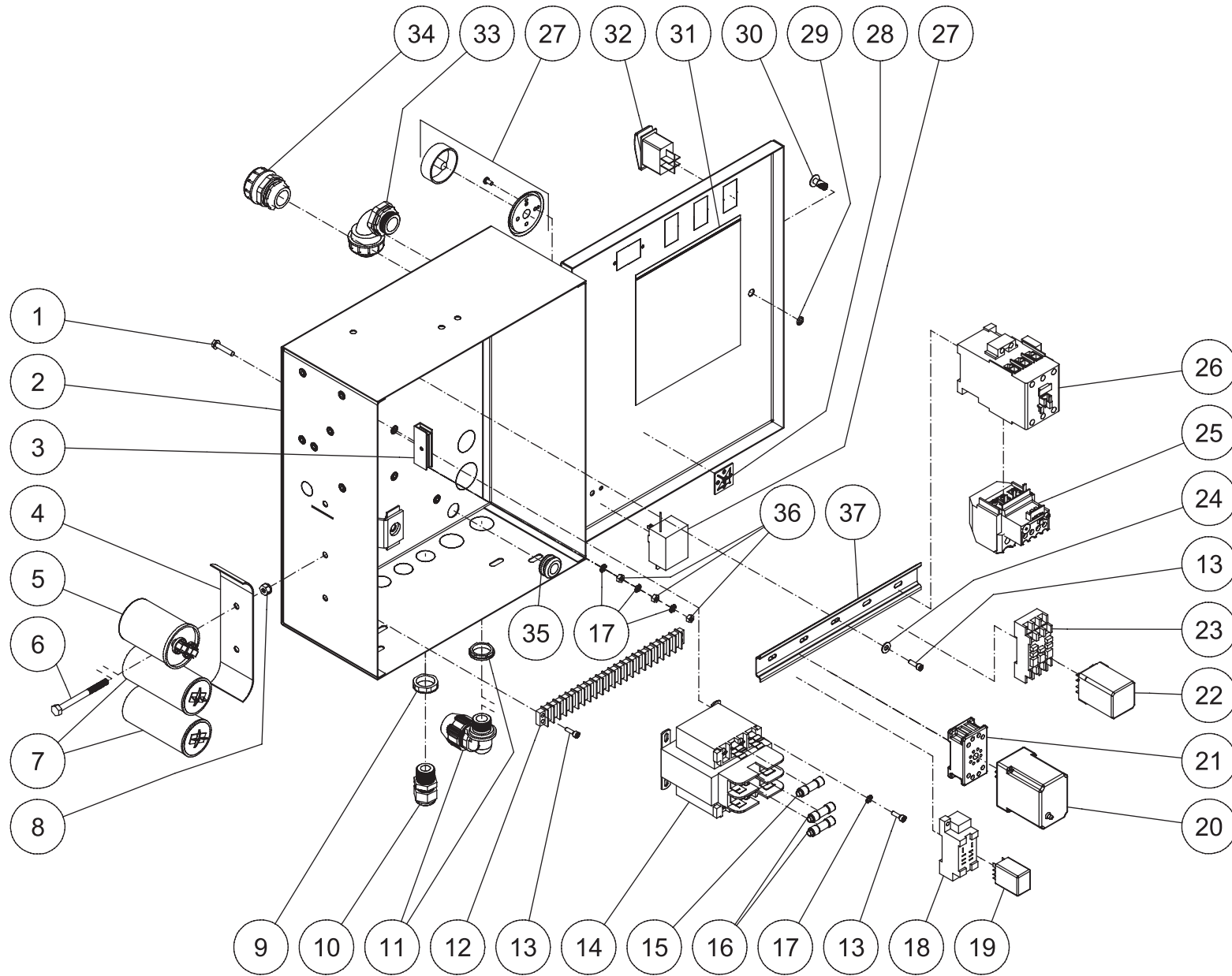
REMOTE BOX ASSEMBLY (HX-0108, HX-0109, HX-0110 AND HX-0124)



HEG REMOTE BOX ASSY-060513-ALC			
REMOTE BOX ASSEMBLY			
REF. #	DESCRIPTION	PART #	QTY.
1	REMOTE BOX	32-1107	1
2	DECAL- REMOTE BOX	34-1296	1
3	ROCKER SWITCH	32-0732	3

HEG REMOTE BOX ASSY-060513-ALC

SINGLE PHASE ELECTRIC BOX ASSEMBLY W/ TIME DELAY OR AUTO START/STOP AND REMOTES (HX-0108, HX-0109 AND HX-0124)

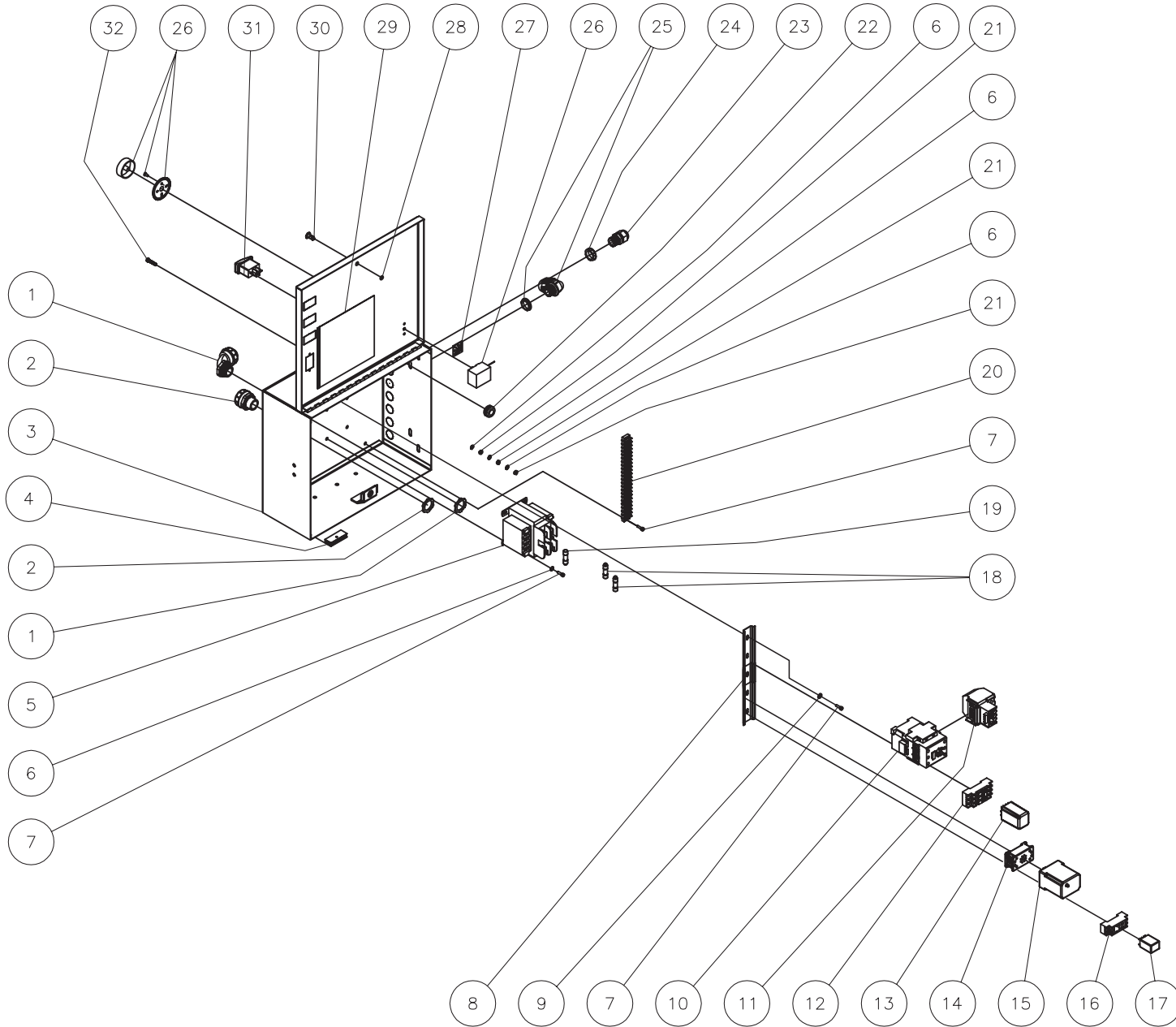


HEG 1 PH ELE. BOX ASSY W/ TIME DELAY OR AUTO START STOP AND REMOTES-080212-MLK

SINGLE PHASE ELECTRIC BOX ASSEMBLY WITH AUTO START STOP OR TIME DELAYS AND REMOTES

ITEM	DESCRIPTION	PART #	QTY	ITEM	DESCRIPTION	PART #	QTY
1	BOLT	27-8807	1	19	RELAY - 24V (HX-0109; HX-0124)	32-0320	1
2	ELECTRIC BOX	32-0739A18	1	20	TIMER - OFF DELAY 24VOLT (HX-0109; HX-0124)	32-0314	1
3	MAGNETIC CATCH	33-0390	1	21	SOCKET - TIMER 24VOLT (HX-0109; HX-0124)	32-0315	1
4	CAPACITOR CLAMP (HEG-3004-0E2G/8G)	20-0538A01	1	22	RELAY - LATCHING	32-0736	3
-	CAPACITOR CLAMP (HEG-1805; 2004-0E2G/8G)	20-0467	1	23	BASE - RELAY	32-0737	3
-	CAPACITOR CLAMP (HEG-3005-0E2G/8G)	20-0467	2	24	WASHER	28-0001	3
5	CAPACITOR (HEG-3004; 3005-0E2G/8G)	32-0747	2	25	OVERLOAD RELAY (HEG-1805; 2004-0E2G)	32-0484	1
-	CAPACITOR (HEG-1805; 2004-0E2G/8G)	32-0686	1	-	OVERLOAD RELAY (HEG-1805; 2004-0E8G)	32-1073	1
6	BOLT (HEG-3004; 3005-0E2G/8G)	27-0024	2	-	OVERLOAD RELAY (HEG-1805; 2004-0E8G) (HEG-3004-0E2G/8G)	32-0485	1
-	BOLT (HEG-1805; 2004-0E2G/8G)	27-0024	1	-	OVERLOAD RELAY (HEG-3005-0E2G/8G)	32-0490	1
7	CAPACITOR (HEG-3005-0E2G/8G)	32-0748	2	26	CONTACTOR - 30AMP (HEG-1805; 2004-0E2G)	32-0597	1
-	CAPACITOR (HEG-1805; 2004; 3004-0E2G/8G)	32-0519	1	-	CONTACTOR - 45 AMP (HEG-1805; 2004-0E8G) (HEG-3004-0E2G/8G)	32-0328	1
8	LOCKNUT (HEG-3004; 3005-0E2G/8G)	30-0155	2	-	CONTACTOR - 60 AMP (HEG-3005-0E2G/8G)	32-0598	1
-	LOCKNUT (HEG-1805; 2004-0E2G/8G)	30-0155	1	27	ADJUSTABLE THERMOSTAT	32-0962	1
9	ELECTRICAL LOCKNUT	32-0108	2	28	MOUNTING BASE	32-0621	6
10	STRAIN RELIEF	32-0437	2	29	O-RING	25-0209	1
11	CONDUIT ELBOW	32-0254	1	30	FASTENER	33-0197	1
12	TERMINAL STRIP	32-0463	1	31	PLASTIC ZIPLOCK BAG	41-0184	1
13	SCREW	27-8835	7	32	ROCKER SWITCH	32-0732	3
14	TRANSFORMER	32-0735	1	33	CONDUIT ELBOW	32-0487	1
15	FUSE (HEG-1805; 2004; 3004; 3005-0E2G/8G)	32-0743	1	34	CONDUIT STRAIGHT	32-0488	1
16	FUSE (HEG-1805; 2004; 3004; 3005-0E2G)	32-0741	2	35	GROMMET	33-0001	1
-	FUSE (HEG-1805; 2004; 3004; 3005-0E8G)	32-0742	2	36	NUT	30-6001	3
17	STAR WASHER	28-1009	5	37	DIN RAIL *(ONE FOOT REQUIRED)	32-0316	1
18	SOCKET - RELAY 8 PIN (HX-0109; HX-0124)	32-0321	1	*MUST ORDER IN ONE FOOT LENGTHS			

THREE PHASE ELECTRIC BOX ASSEMBLY W/ TIME DELAY OR AUTO START/STOP AND REMOTES (HX-0108, HX-0109 AND HX-0124)



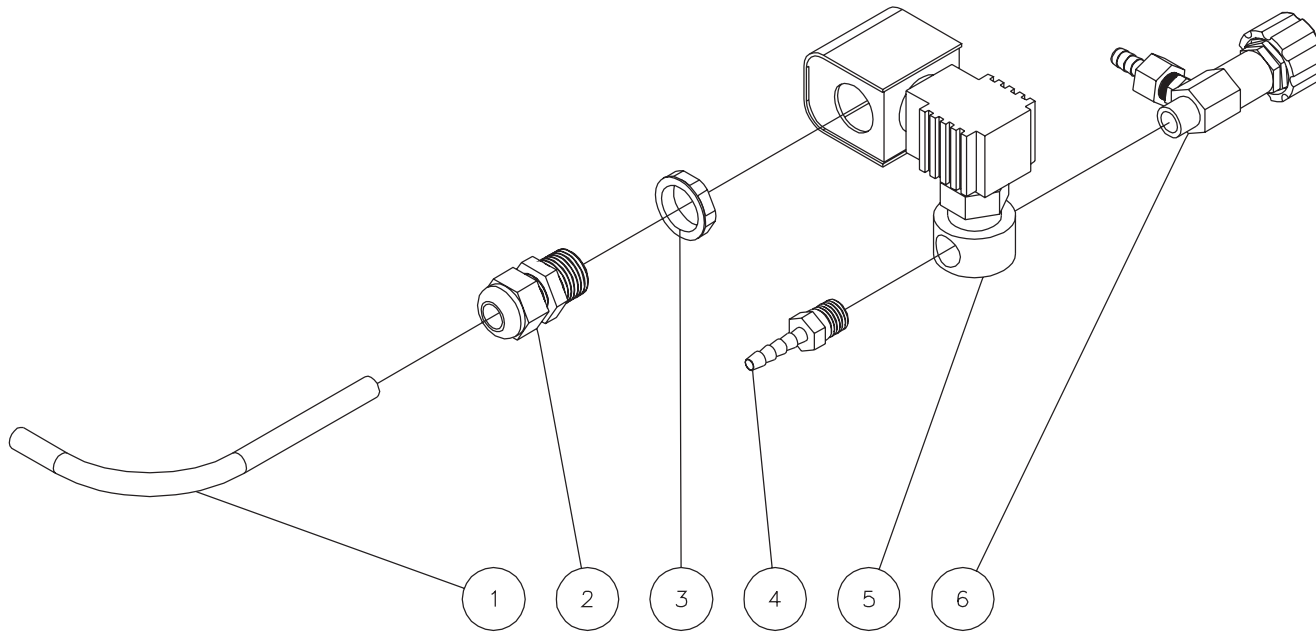
HEG THREE PHASE ELE. BOX ASSY W/ TIME DELAY OR AUTO START
STOP AND REMOTES-040109-CH

THREE PHASE ELECTRIC BOX ASSEMBLY W/ TIME DELAY OR AUTO START/STOP AND REMOTES (HX-0108, HX-0109 AND HX-0124)

REF. #	DESCRIPTION	PART #	QTY.	REF. #	DESCRIPTION	PART #	QTY.
1	Conduit Elbow	32-0487	1	15	Oil Delay Timer (HX-0109, HX-0124) (HEG-1805/2004/3004/3005-0E3G/4G/5G/9G)	32-0314	1
2	Conduit Connector	32-0488	2	16	Primary Socket (HX-0109, HX-0124) (HEG-1805/2004/3004/3005-0E3G/4G/5G/9G)	32-0321	1
3	Electric Box Assembly	32-0739A18	1	17	Relay (HX-0109, HX-0124) (HEG-1805/2004/3004/3005-0E3G/4G/5G/9G)	32-0320	1
4	Magnetic Catch w/Adhesive	33-0390	2	18	Primary Fuse (HEG-1805/2004/3004/3005-0E3G)	32-0741	2
5	Transformer (HEG-1805/2004/3004/3005-0E3G/0E4G/0E9G)	32-0735	1	-	Primary Fuse (HEG-1805/2004/3004/3005-0E4G)	32-0740	2
-	Transformer (HEG-3004/3005-0E5G)	32-0914	1	-	Primary Fuse (HEG-1805/2004/3004/3005-0E9G)	32-0467	2
6	Lockwasher	28-1009	7	-	Primary Fuse (HEG-3004/3005-0E5G)	32-0742	2
7	Screw	27-8835	9	19	Primary Fuse (HEG-1805/2004/3004/3005-0E3G/4G/5G/9G)	32-0743	1
8	Din Rail *(One Foot Required)	32-0316	1	20	Terminal Strip	32-0463	1
9	Washer	28-0001	3	21	Hex Nut	30-6001	3
10	Contactora (HEG-1805/2004-0E3G/9G & HEG-3004-0E9G & HEG-3005-0E3G)	32-0597	1	22	Grommet	33-0001	1
-	Contactora (HEG-1805/2004/3004/3005-0E4G, HEG-3004/3005-0E5G)	32-0327	1	23	Strain Relief	32-0437	2
-	Contactora (HEG-3004-0E3G)	32-0329	1	24	Locknut	32-0108	2
-	Contactora (HEG-3005-0E9G)	32-0328	1	25	Conduit Elbow	32-0254	1
11	Overload (HEG-1805/2004/3004-0E3G/9G)	32-0483	1	26	Adjustable Thermostat	32-0962	1
-	Overload (HEG-1805/2004-0E4G)	32-0481	1	27	Ty-rap Mounting Base w/Adhesive	32-0621	6
-	Overload (HEG-3004/3005-0E4G/5G)	32-0482	1	28	O-ring	25-0209	1
-	Overload (HEG-3005-0E3G/9G)	32-0484	1	29	Envelope	41-0184	1
12	Relay Base	32-0737	3	30	Fastener	33-0197	1
13	Latching Relay	32-0736	3	31	Rocker Switch	32-0732	3
14	Timer Base Socket (HX-0109, HX-0124) (HEG-1805/2004/3004/3005-0E3G/4G/5G/9G)	32-0315	1	32	Bolt	27-8807	1

*Must Order in One Foot Lengths

DETERGENT SOLENOID FOR TIME DELAY AND REMOTES (HX-0108, HX-0109 AND HX-0124)



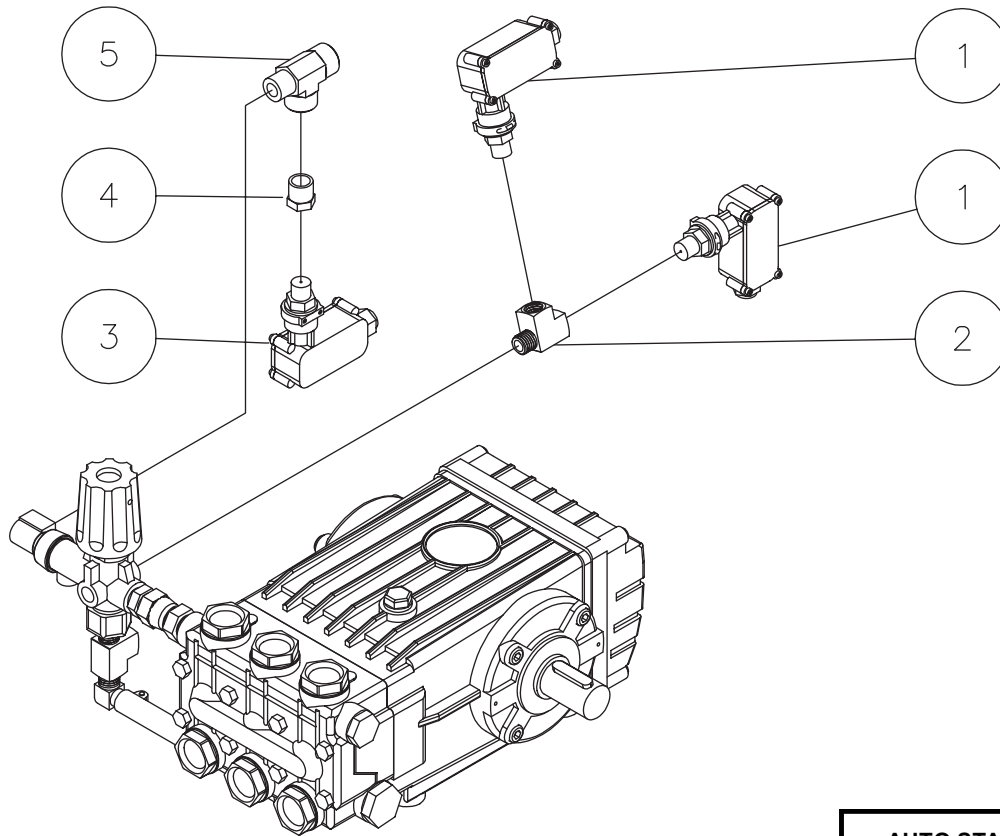
HEG DETERGENT SOLENOID FOR TIME DELAY/REMOTES-032202-BAR

DETERGENT SOLENOID FOR TIME DELAY AND REMOTES

REF. #	DESCRIPTION	PART #	QTY.
1	Cord *(Two Feet Required)	32-0075	1
2	Strain Relief	32-0437	1
3	Locknut	32-0108	1
4	Hose Barb	23-0051	1
5	Detergent Solenoid	32-0733	1
6	Detergent Valve	22-0226	1
*Must Order in One Foot Lengths			

HEG DETERGENT SOLENOID FOR TIME DELAY AND REMOTES-032202-BAR

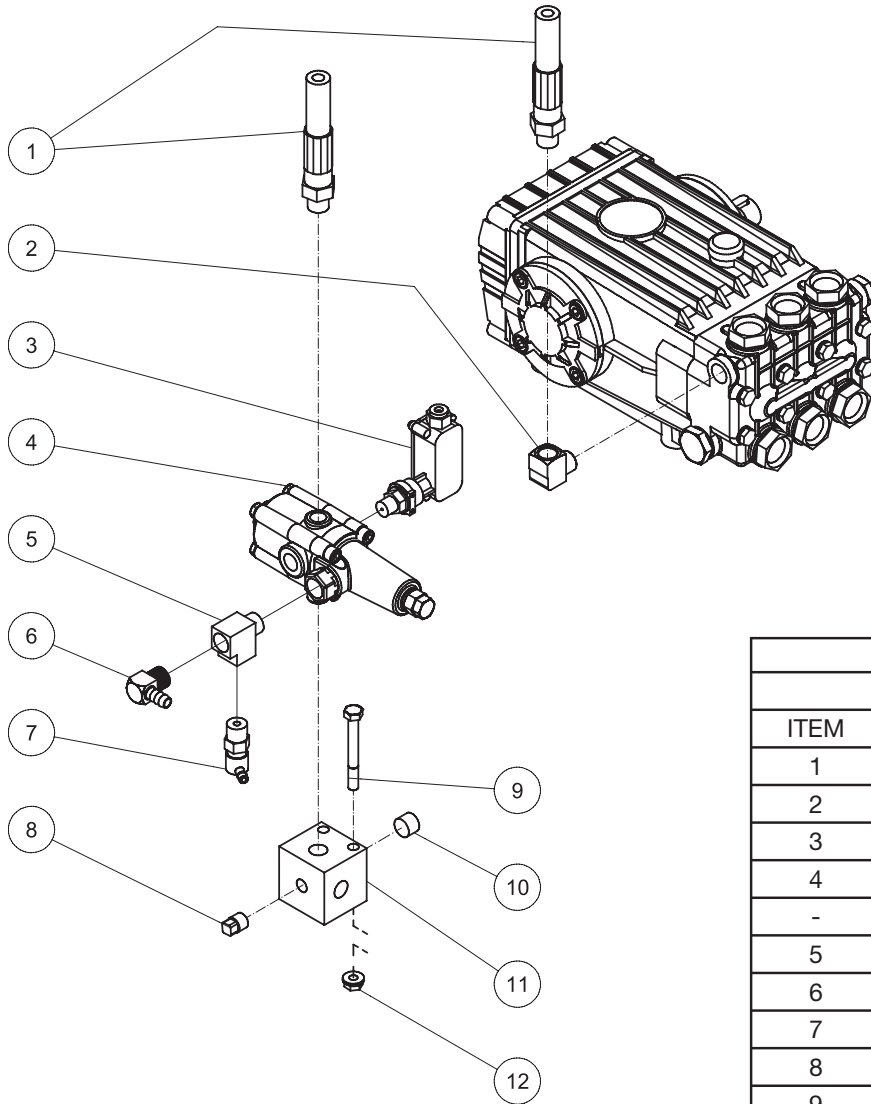
AUTO START/STOP PLUMBING (HX-0111 AND HX-0124) (AFTER SERIAL #15021777)



HEG AUTO START STOP PLUMBING-061005-RZ

AUTO START/STOP PLUMBING (HX-0111 AND HX-0124) (AFTER SERIAL #15021777)			
REF. #	DESCRIPTION	PART #	QTY.
1	Pressure Switch	22-0171	2
2	Tee	23-0127	2
3	Pressure Switch	22-0243	1
4	Reducer	23-0017	1
5	Street Tee	23-0058	1

K7 OPTION (HX-0104 AND HX-0112) (AFTER SERIAL #15021777)

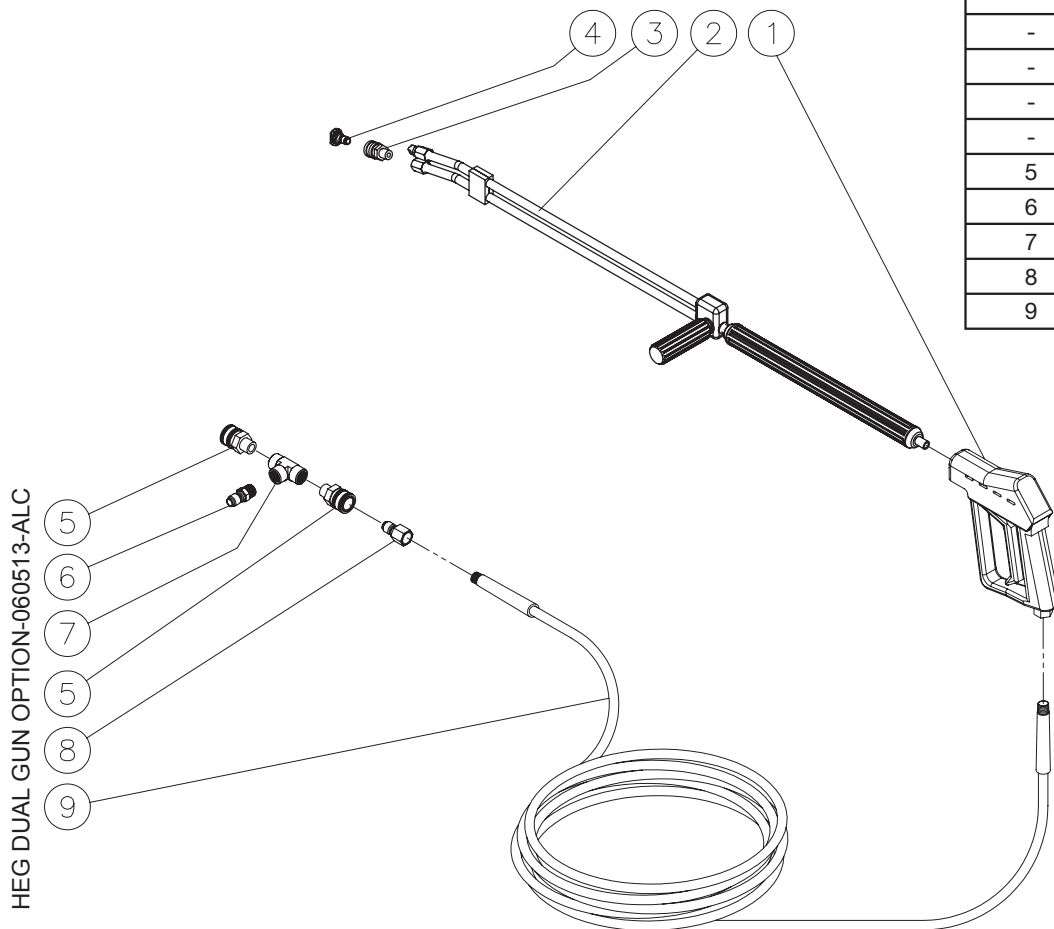


HX-0104 AND HX-0112 HEG K7 OPTION			
K7 OPTION (HX-0104 AND HX-0112)			
ITEM	DESCRIPTION	PART #	QTY
1	HIGH PRESSURE HOSE	15-0194	1
2	ELBOW	23-0034	1
3	PRESSURE SWITCH	22-0119	1
4	UNLOADER (HEG-1805/2004/3005)	8-0013	1
-	UNLOADER K - 7.0 FLOW ACTIVATED (HEG-3004)	8-0012	1
5	TEE	23-0382	1
6	ELBOW	23-0074	1
7	HEAT DUMP VALVE	22-0432	1
8	PLUG	23-0238	1
9	BOLT	27-8040	2
10	PLUG	23-0244	1
11	MANIFOLD	51-0024	1
12	NUT	30-3023	2

HX-0104 AND HX-0112 HEG K7 OPTION 050113 ALC

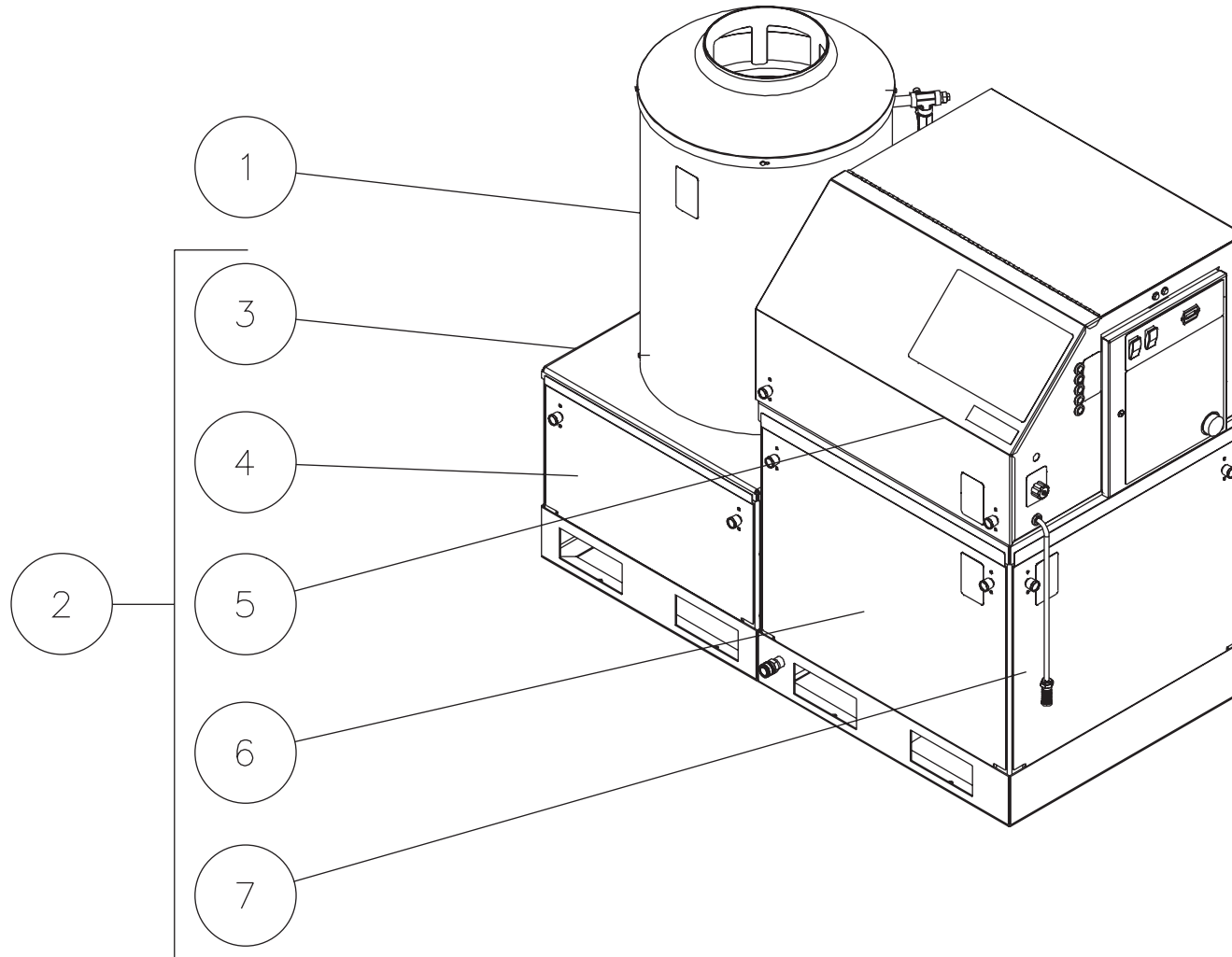
DUAL GUN OPTION (HX-0113 AND HX-0114)

HEG DUAL GUN OPTION-060513 ALC			
DUAL GUN OPTION (HX-0113 AND HX-0114)			
REF. #	DESCRIPTION	PART #	QTY.
1	Gun Assembly	16-0446	1
2	Lance Extension	16-0417	1
3	Quick Connect Socket	17-0028	1
4	Nozzle- 0003.5 (HX-0113) (HEG-1805)	18-0392	2
-	Nozzle- 1503.5 (HX-0113) (HEG-1805)	18-0393	2
-	Nozzle- 2503.5 (HX-0113) (HEG-1805)	18-0395	2
-	Nozzle- 4003.5 (HX-0113) (HEG-1805)	18-0396	2
-	Nozzle- 0002.5 (HX-0114) (HEG-3005)	18-0316	2
-	Nozzle- 1502.5 (HX-0114) (HEG-3005)	18-0317	2
-	Nozzle- 2502.5 (HX-0114) (HEG-3005)	18-0318	2
-	Nozzle- 4002.5 (HX-0114) (HEG-3005)	18-0319	2
5	Quick Connect Socket	17-0007	2
6	Quick Connect Plug	17-0005	1
7	Tee	24-0026	1
8	Quick Connect Plug	17-0006	1
9	High Pressure Hose 4500PSI	15-0166	1



HEG DUAL GUN OPTION-060513-ALC

STAINLESS STEEL MODULAR PANELS AND COIL WRAP OPTION (HX-0115 AND HX-0116)

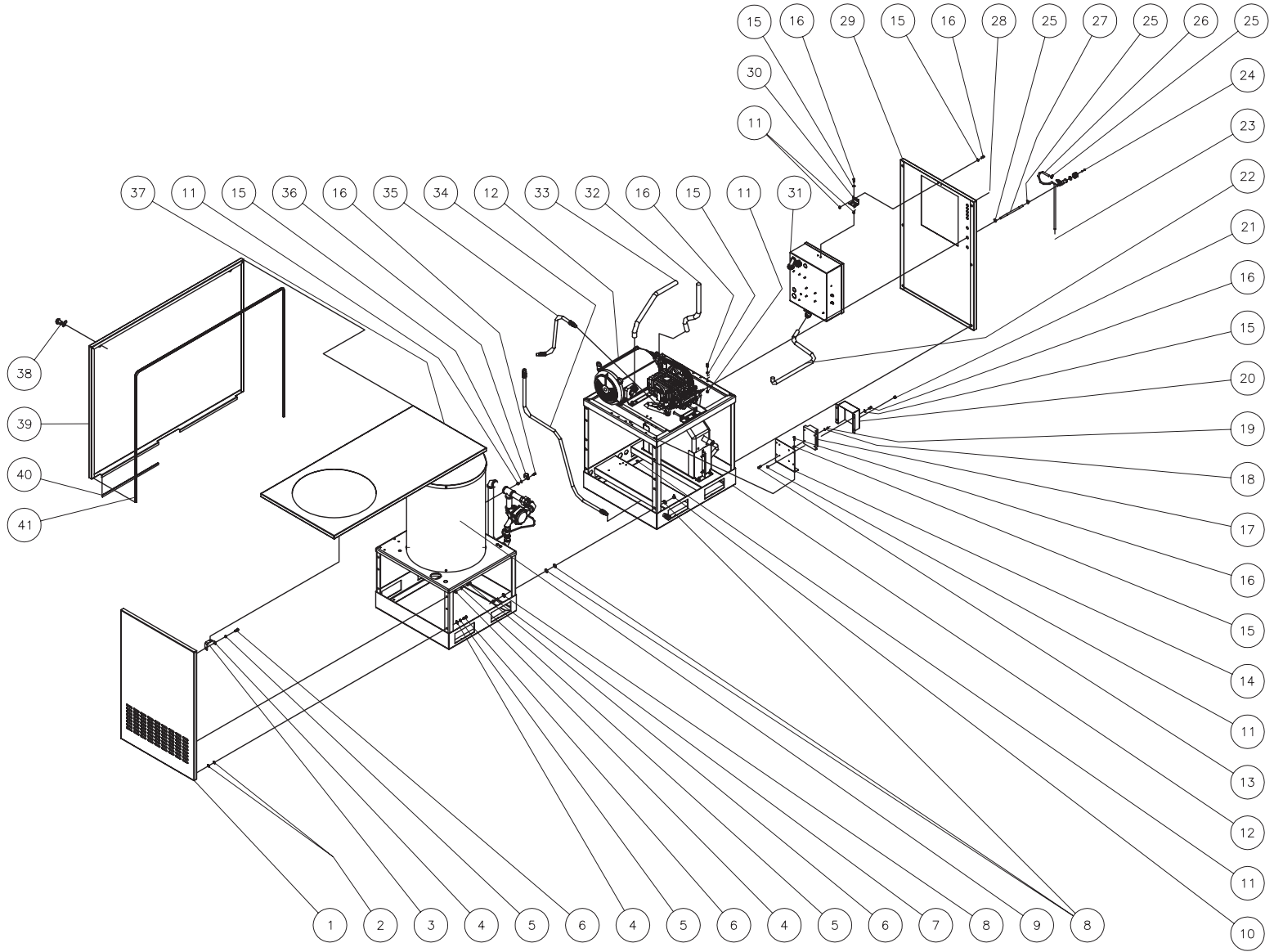


HEG SS MODULAR PNLs & COIL
WRAP OPTION-031102-BAR

HEG SS MODULAR PNLS & COIL WRAP OPTION-031102-BAR

STAINLESS STEEL MODULAR PANELS AND COIL WRAP OPTION (HX-0115 AND HX-0116)			
REF. #	DESCRIPTION	PART #	QTY.
1	Outer Wrap Assembly (HX-0116)	21-0164	1
2	Module Panels (Inc. 3-7)	HX-0115	1
3	Side Coil Stainless Steel Access Panel Assembly	850-0320	1
4	Front Coil Stainless Steel Access Panel Assembly	850-0319	1
5	Stainless Steel Door Assembly w/Hinge	850-0316	1
6	Front Motor Stainless Steel Access Panel Assembly	850-0317	1
7	Side Motor Stainless Steel Access Panel Assembly	850-0318	1

BOX PANEL OPTION (HX-0117)

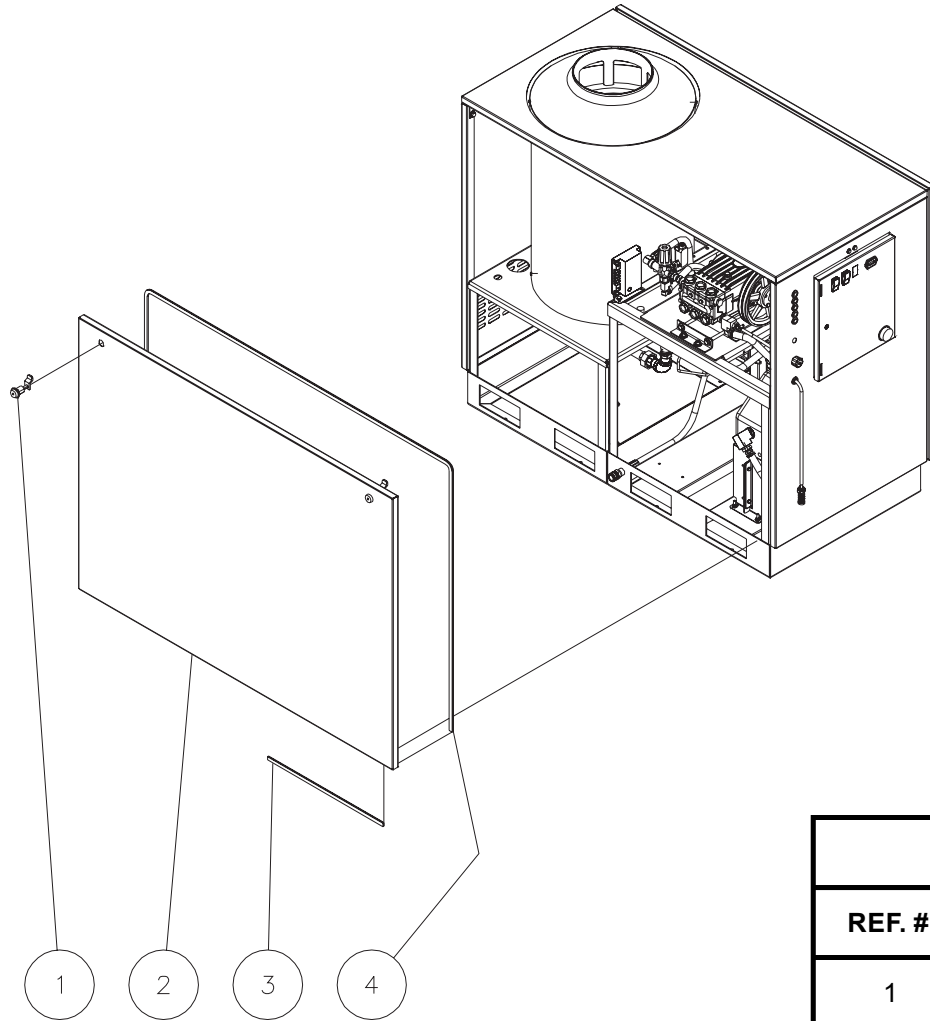


HEG BOX PANEL OPTION-061009-CH

BOX PANEL OPTION (HX-0117)								
REF. #	DESCRIPTION	PART #	QTY.	REF. #	DESCRIPTION	PART #	QTY.	
1	Natural Gas Side End Panel	20-0640A18	1	22	Conduit *(Four Feet Required)	32-0253	1	
2	Washer	28-0003	8	23	Detergent Strainer w/Check	19-0056	1	
3	Angle Support	13-0102A01	4	24	Detergent Valve	22-0226	1	
4	Washer	28-0022	16	25	Clamp Worm	42-0004	3	
5	Lockwasher	29-0007	16	26	Detergent Hose *(Six Feet Required)	15-0021	1	
6	Bolt	27-0067	16	27	Detergent Hose *(One Foot Required)	15-0079	1	
7	Bolt	27-0119	4	28	Grommet	33-0001	6	
8	Flatwasher	28-0023	16	29	Natural Gas E-Box End Panel	20-0637A18	1	
9	Burner Assembly (See Exploded Drawing)	N/A Sep.	1	30	E-Box Bracket	20-0626A18	1	
10	Locknut	30-0159	4	31	Three Phase Electric Box Assembly (See Exploded Drawing)	N/A Sep.	1	
11	Locknut	30-0155	13	-	Single Phase Electric Box Assembly (See Exploded Drawing)	N/A Sep.	1	
12	Motor Base Assembly (See Exploded Drawing)	N/A Sep.	1	32	Conduit *(Two Feet Required)	32-0486	1	
13	Bolt	27-8807	2	33	Conduit *(Two Feet Required)	32-0486	1	
14	Bracket	20-0657A18	1	34	High Pressure Hose Assembly - Coil Outlet to Outlet Q.C.	15-0186	1	
15	Washer	28-0002	13	35	High Pressure Hose Assembly- Pump Outlet to Coil Inlet	15-0194	1	
16	Bolt	27-0015	13	36	Hose Clamp	33-0291	1	
17	Ignition Modular	32-0319	1	37	Top Panel	20-0638A18	1	
18	Lockwasher	28-1009	2	38	Latch	33-0128	4	
19	Nut	30-6001	2	39	Natural Gas Side Panel	20-0639A18	2	
20	Ignitor Cover	20-0656A18	1	40	Trimlock	33-0020	4	
21	Bushing	9-0092	1	41	Trimlock w/Seal	33-0129	2	

*Must Order in One Foot Lengths

STAINLESS STEEL BOX PANEL OPTION (HX-0118)

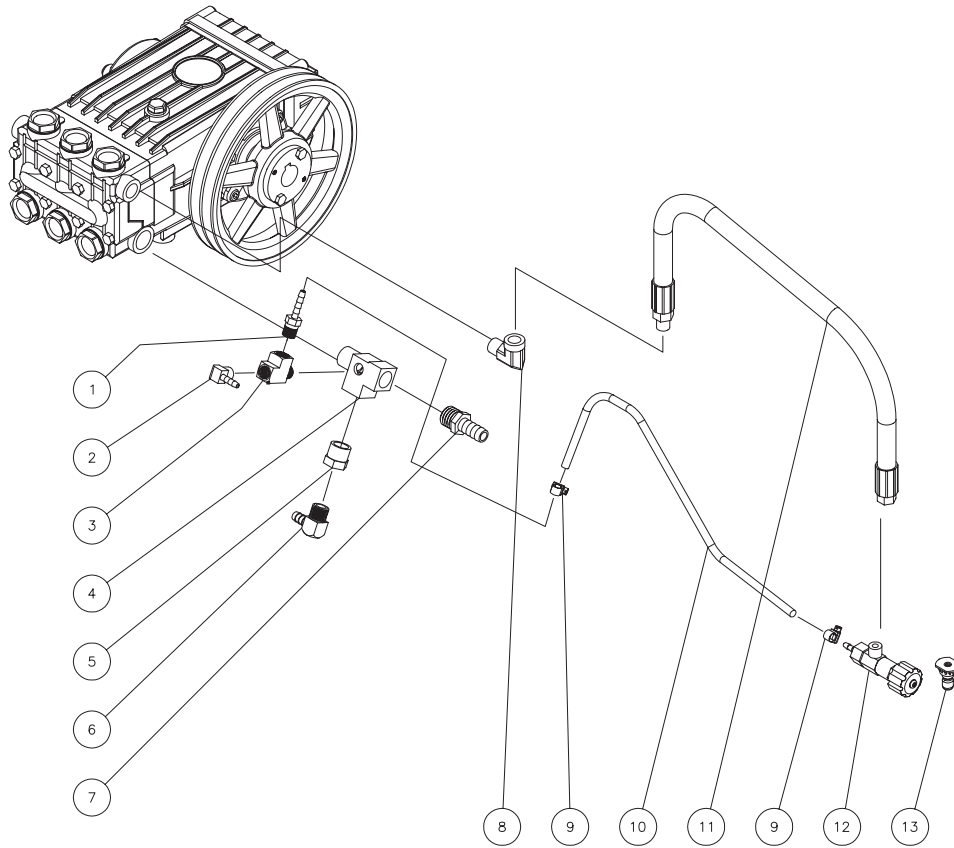


HEG SS BOX PANEL OPTION-031102-BAR

STAINLESS STEEL BOX PANEL OPTION (HX-0118)			
REF. #	DESCRIPTION	PART #	QTY.
1	Latch	33-0128	4
2	Side Panel	21-0165	2
3	Trimlock	33-0020	4
4	Trimlock w/Seal	33-0129	2

HEG SS BOX PANEL OPTION-031102-BAR

STEAM OPTION (HX-0119, HX-0120 AND HX-0121) (AFTER SERIAL #15021777)

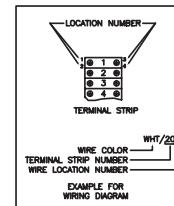
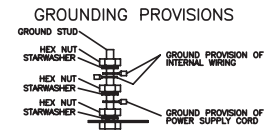
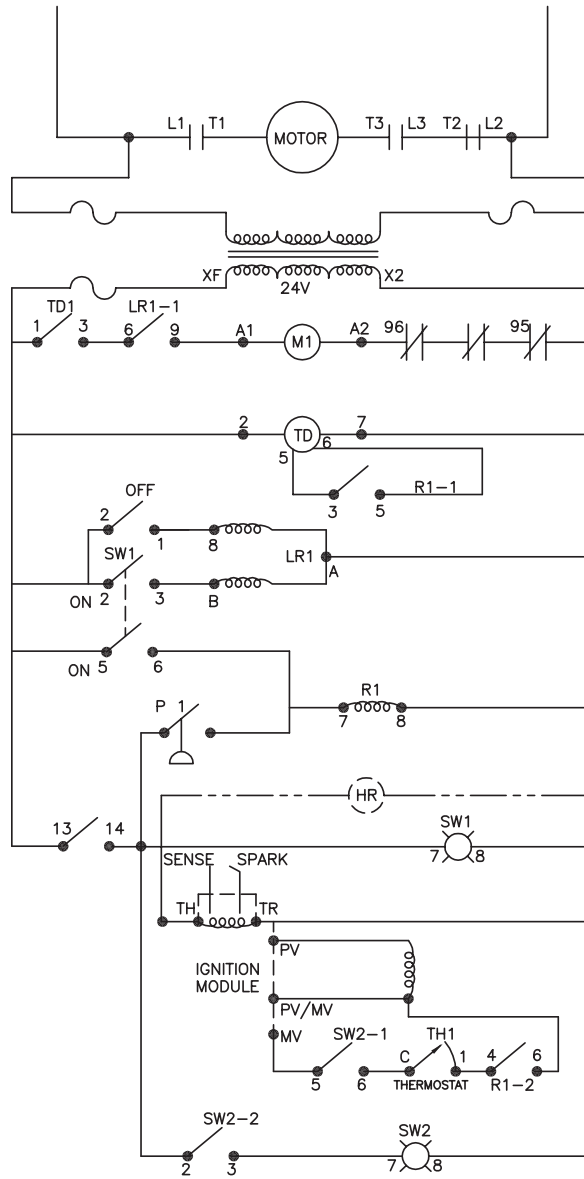


HEG STEAM OPTION-061305-RZ

STEAM OPTION (HX-0119, HX-0120, HX-0121 AND HX-0122) (AFTER SERIAL #15021777)			
REF. #	DESCRIPTION	PART #	QTY.
1	Hose Barb	23-0051	1
2	Elbow	23-0054	1
3	Tee	23-0127	1
4	Street Tee	23-0388	1
5	Bushing	23-0016	1
6	Elbow	23-0074	1
7	Hose Barb (HEG-1805/3005)	23-0036	1
-	Hose Barb (HEG-2004/3004)	23-0045	1
8	Elbow	24-0004	1
9	Clamp Worm	42-0004	2
10	Hose *(Nine Feet Required)	15-0008	1
11	High Pressure Hose Assembly	15-0072	1
12	Steam Valve (HEG-1805/2004/3005)	22-0329	1
-	Steam Valve (HEG-3004)	22-0349	1
13	Steam Nozzle (HX-0119) (HEG-1805)	18-0062	1
-	Steam Nozzle (HX-0120) (HEG-2004)	18-0009	1
-	Steam Nozzle (HX-0121) (HEG-3004)	18-0303	1
-	Steam Nozzle (HX-0122) (HEG-3005)	18-0153	1
*Must Order in One Foot Lengths			

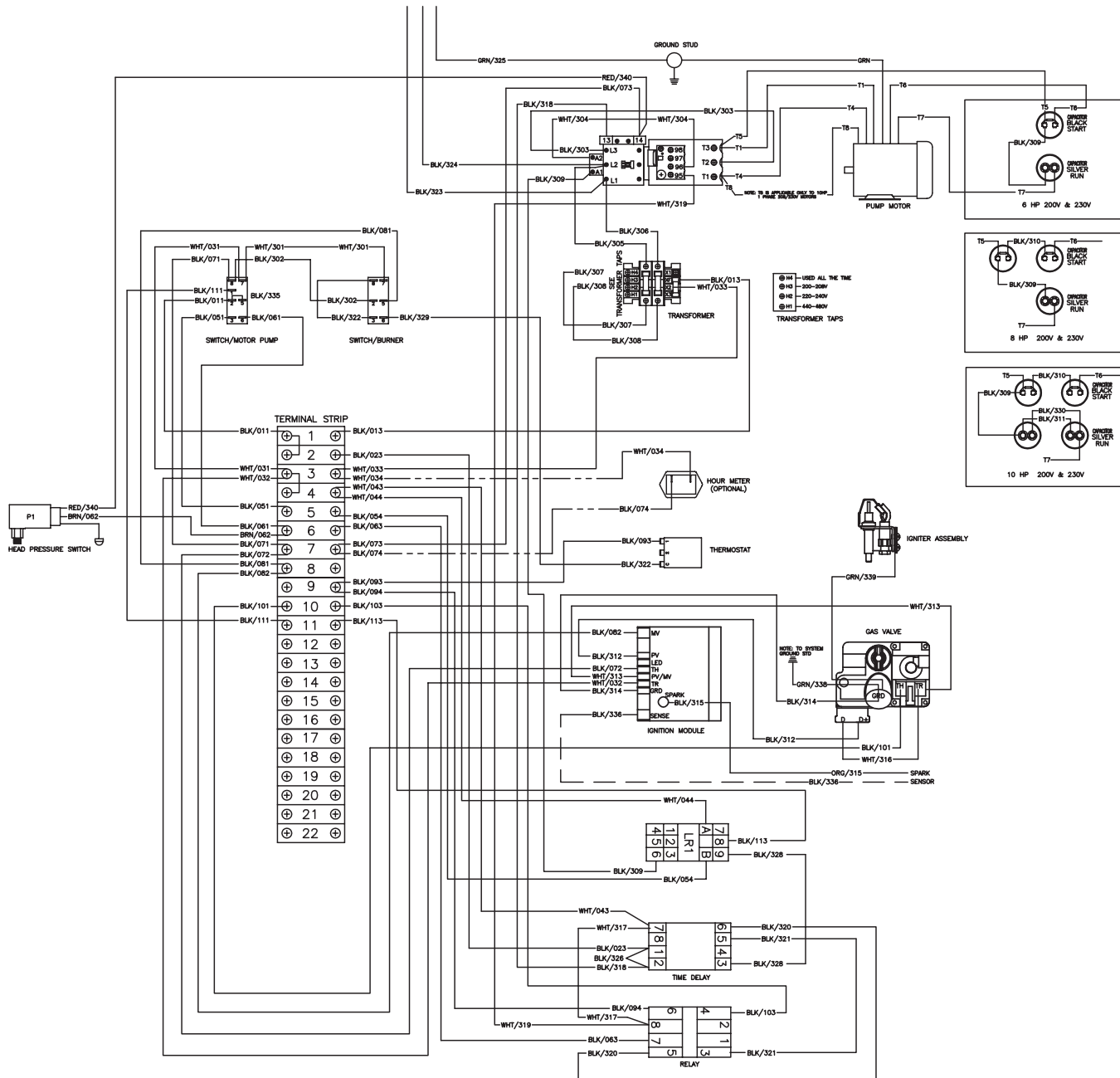
HEG STEMA OPTION-061305-RZ

WIRE SCHEMATIC SINGLE PHASE WITH TIME DELAY (HX-0107)



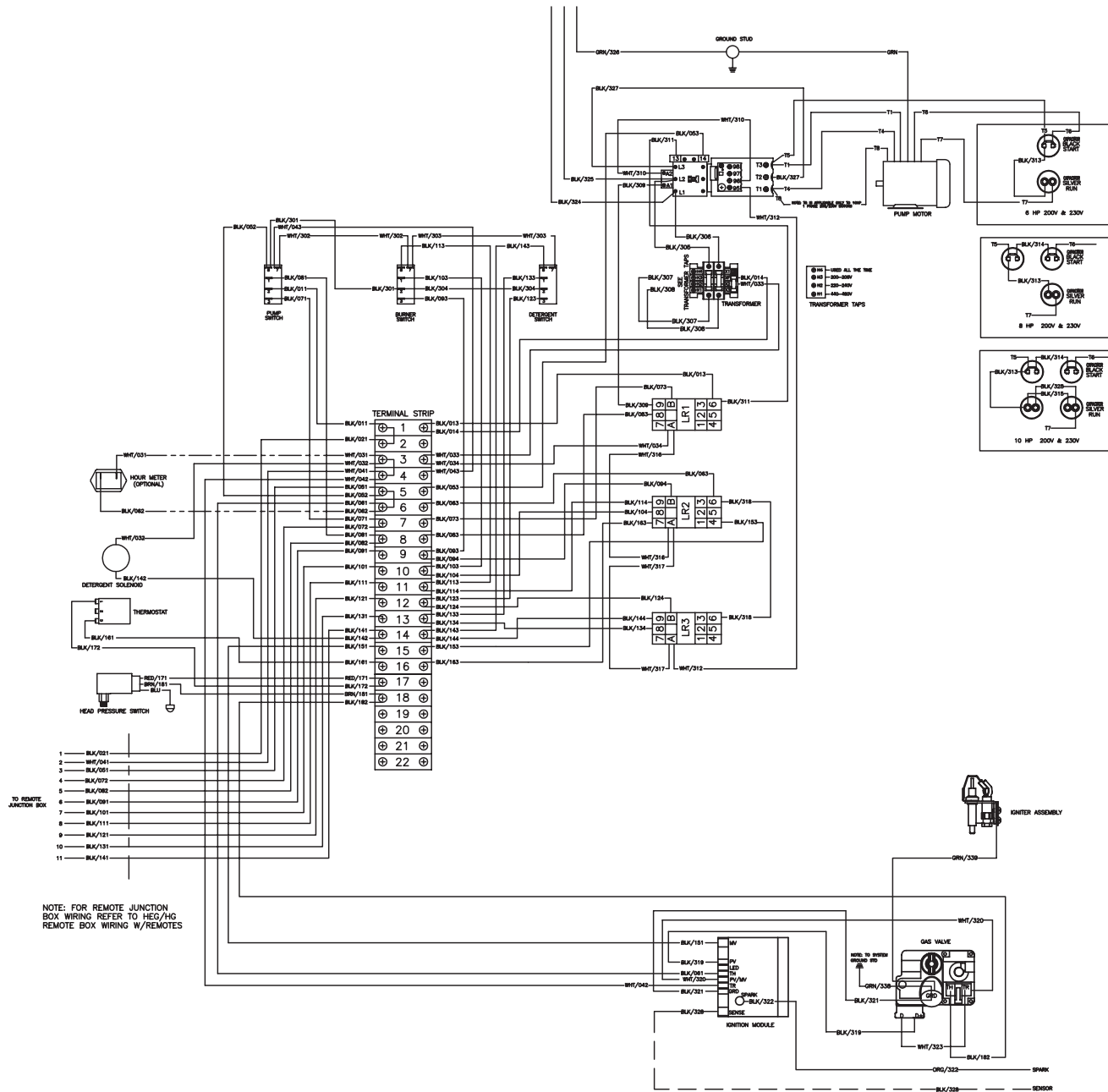
WS HEG-1805_2004_3004_3005-1PH WITH
TIME DELAY 061212 MLK

WIRE DIAGRAM SINGLE PHASE WITH TIME DELAY (HX-0107)



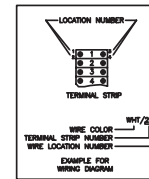
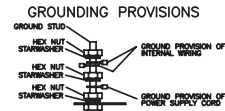
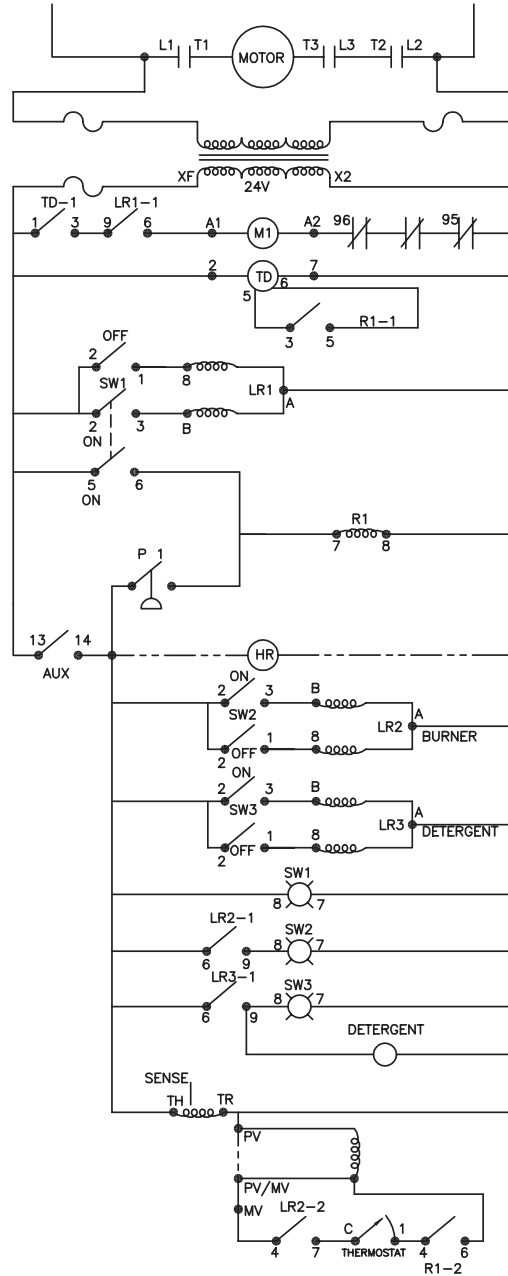
HEG-1805/2004/3004/3005-0E2G/8G W/
TIME DELAY WIRE DIAGRAM-060106-MLK

WIRE DIAGRAM SINGLE PHASE WITH REMOTES (HX-0108)



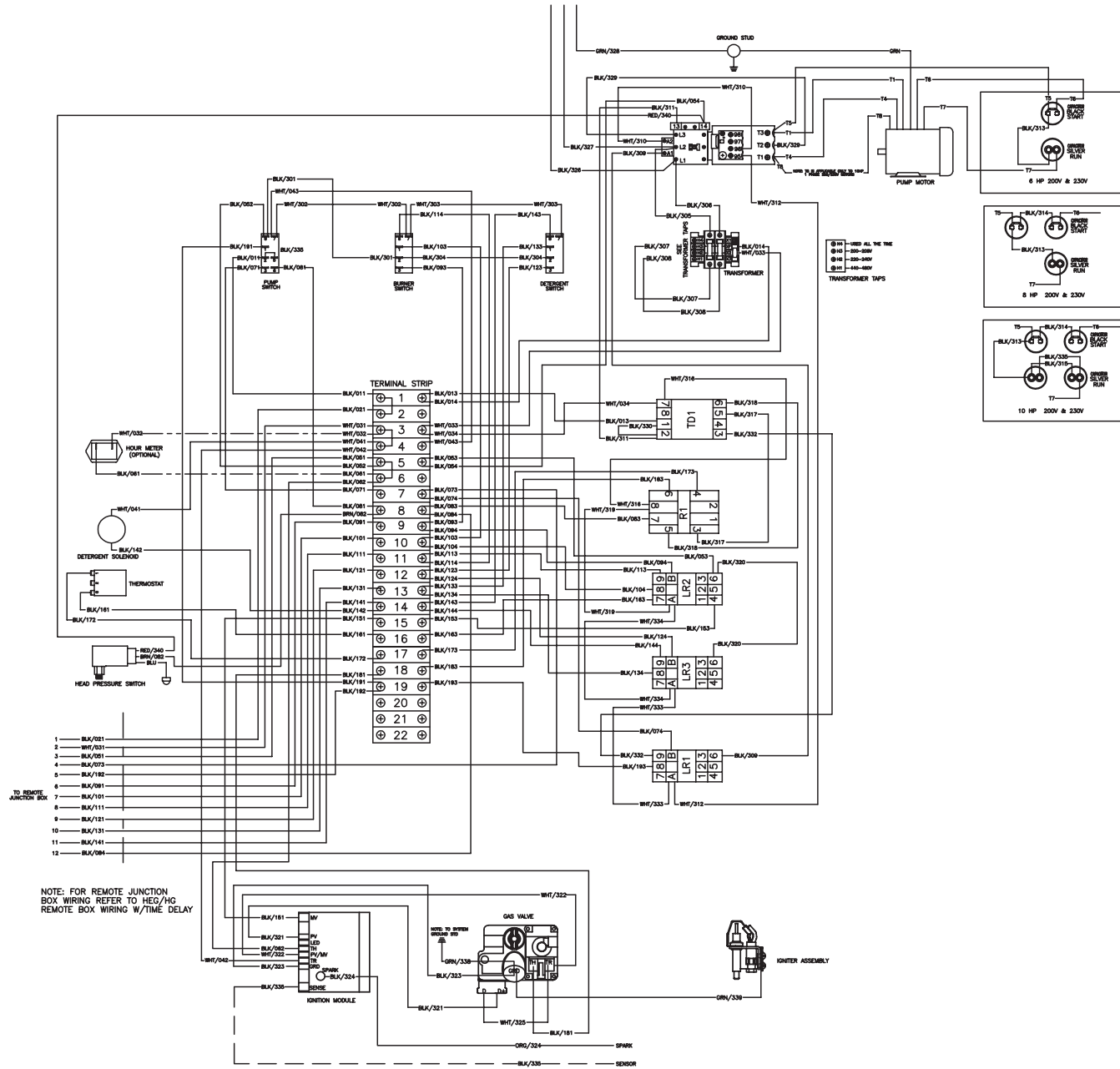
WD HEG-1805_2004_3004_3005-1PH WITH REMOTES 120511 RSW

WIRE SCHEMATIC SINGLE PHASE WITH TIME DELAY AND REMOTES (HX-0109)



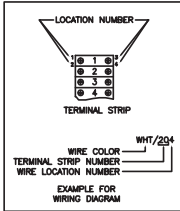
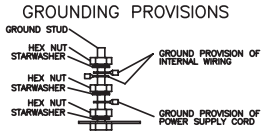
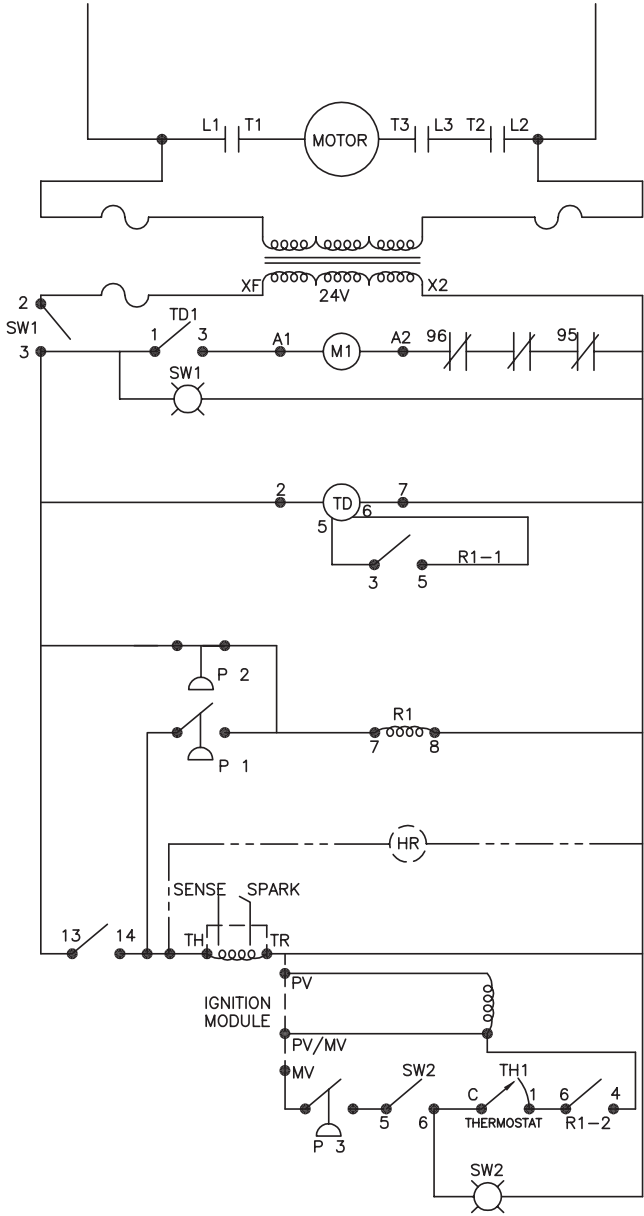
WS HEG-1805_2004_3004_3005-1PH WITH TIME DELAY AND REMOTES 120511 RSW

WIRE DIAGRAM SINGLE PHASE WITH TIME DELAY AND REMOTES (HX-0109)



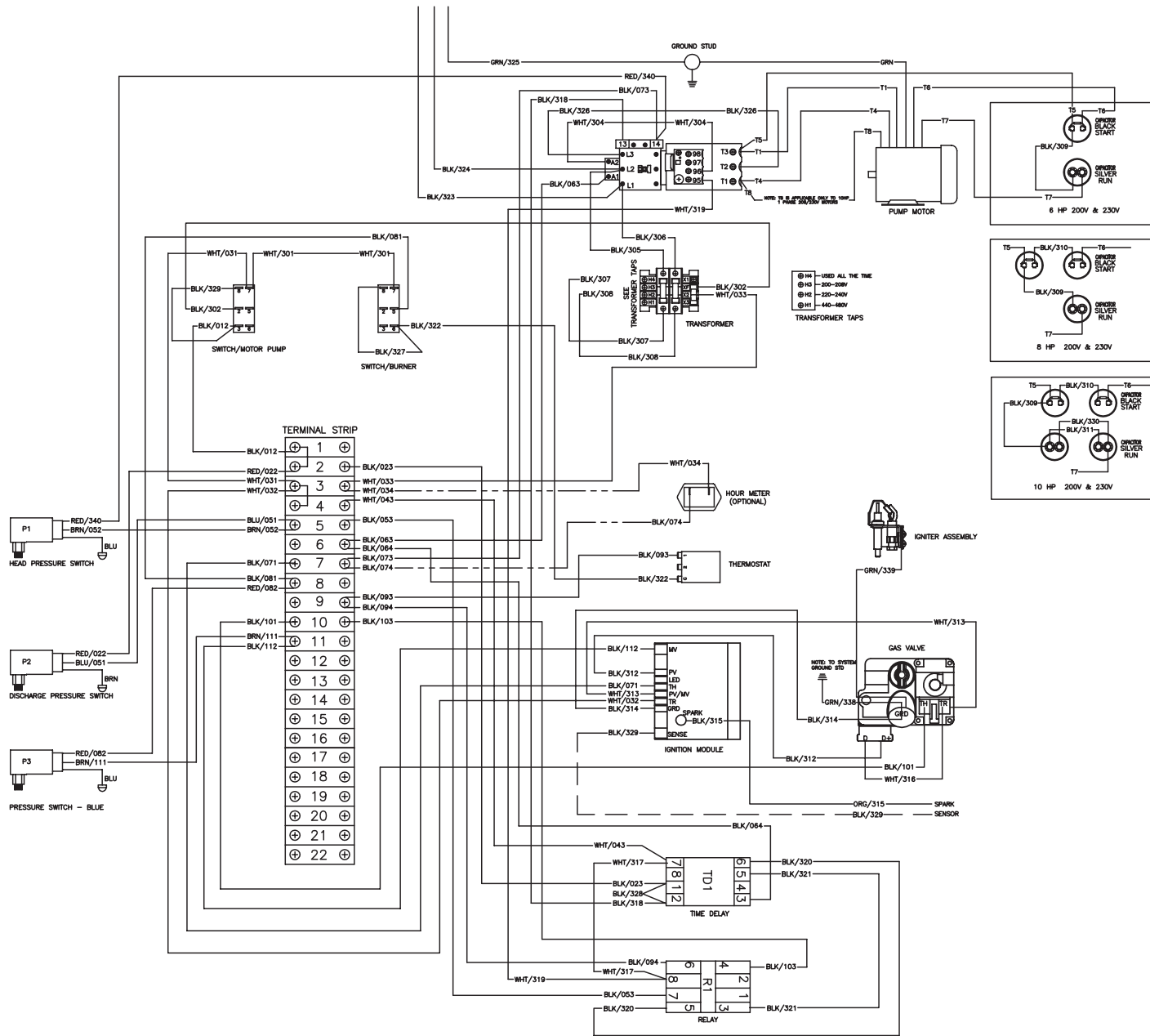
WD HEG-1805_2004_3004_3005-1PH WITH TIME DELAY AND REMOTES 120511 RSW

WIRE SCHEMATIC SINGLE PHASE WITH AUTO START/STOP (HX-0111)



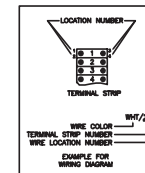
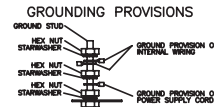
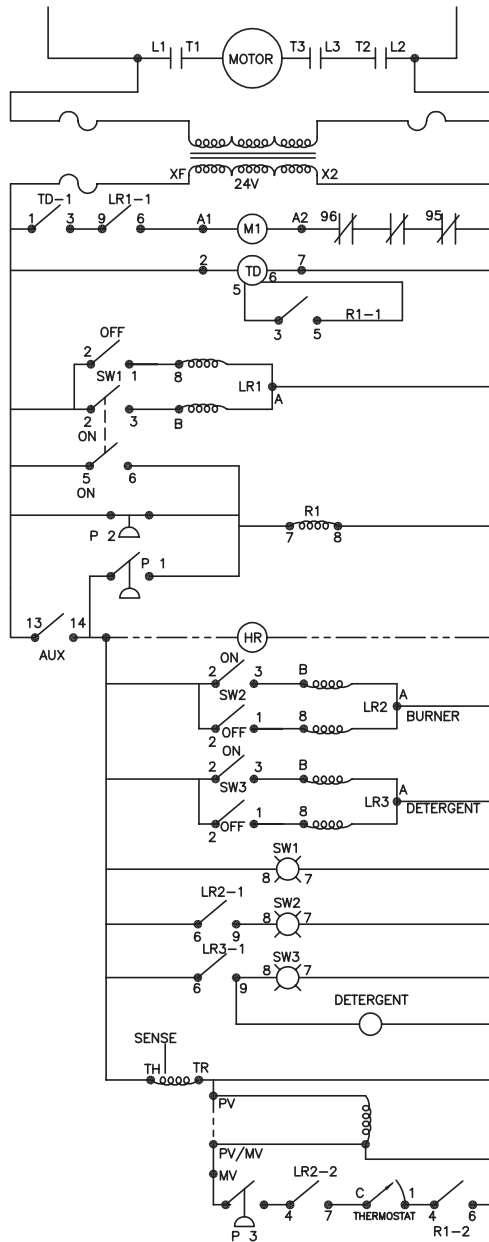
WS HEG-1805_2004_3004_3005-1PH WITH AND
 AUTO SS 120511 RSW

WIRE DIAGRAM SINGLE PHASE WITH AUTO START/STOP (HX-0111)



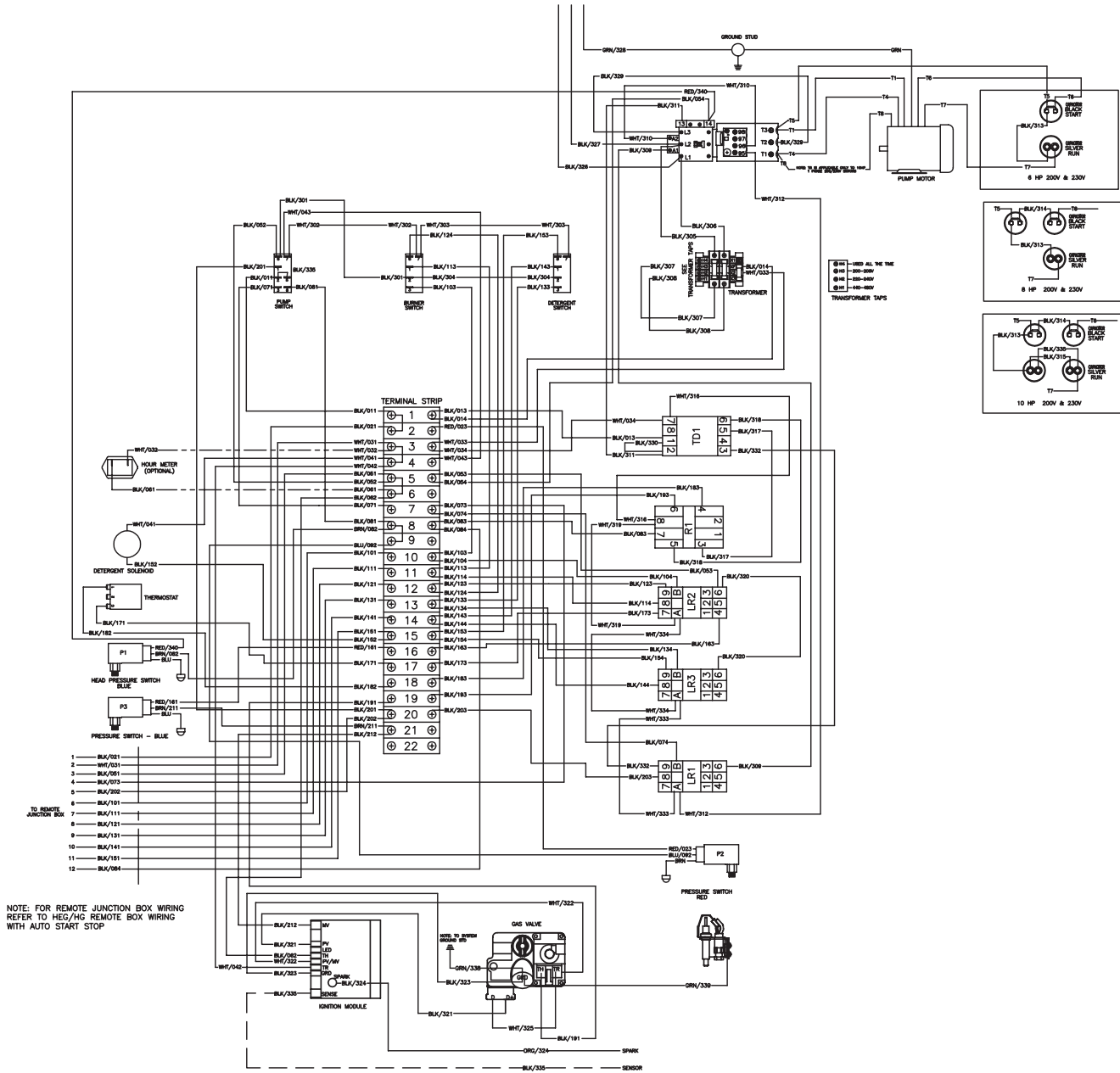
WD HEG-1805_2004_3004_3005-1PH WITH AND AUTO SS 120511 RSW

WIRE SCHEMATIC SINGLE PHASE WITH AUTO START/STOP AND REMOTES (HX-0124)



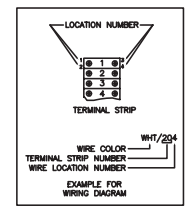
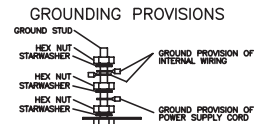
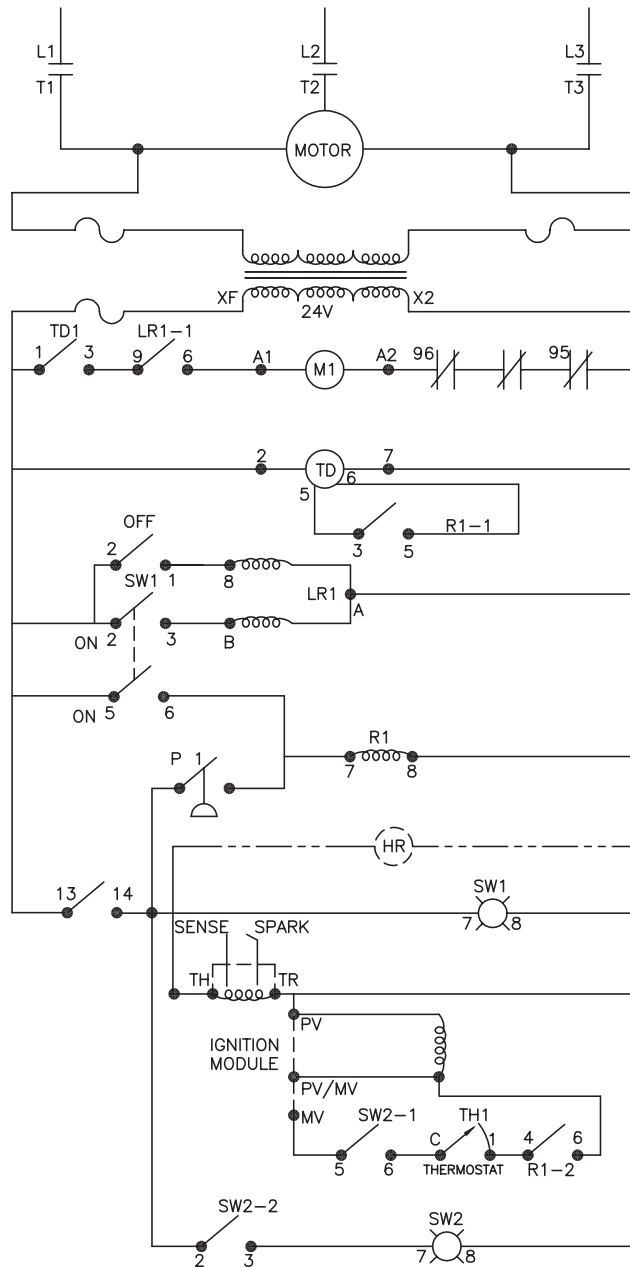
WS HEG-1805_2004_3004_3005-1PH WITH
 AUTO SS AND REMOTES 120511 RSW

WIRE DIAGRAM SINGLE PHASE WITH AUTO START/STOP AND REMOTES (HX-0124)



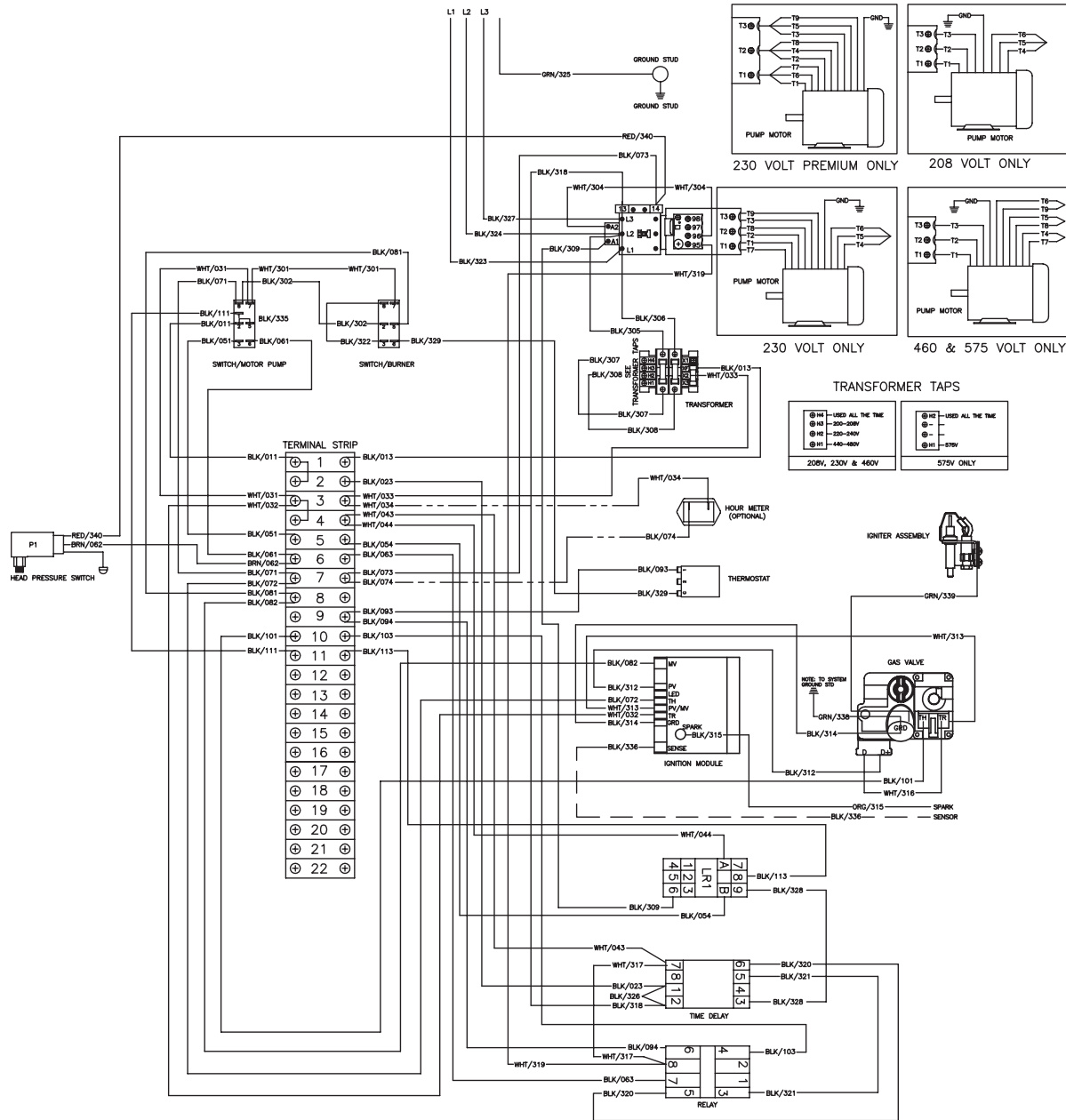
WD HEG-1805_2004_3004_3005-1PH WITH AUTO SS AND REMOTES 120511 RSW

WIRE SCHEMATIC THREE PHASE WITH TIME DELAY (HX-0107)



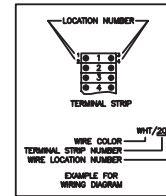
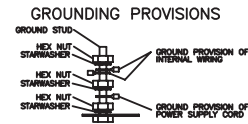
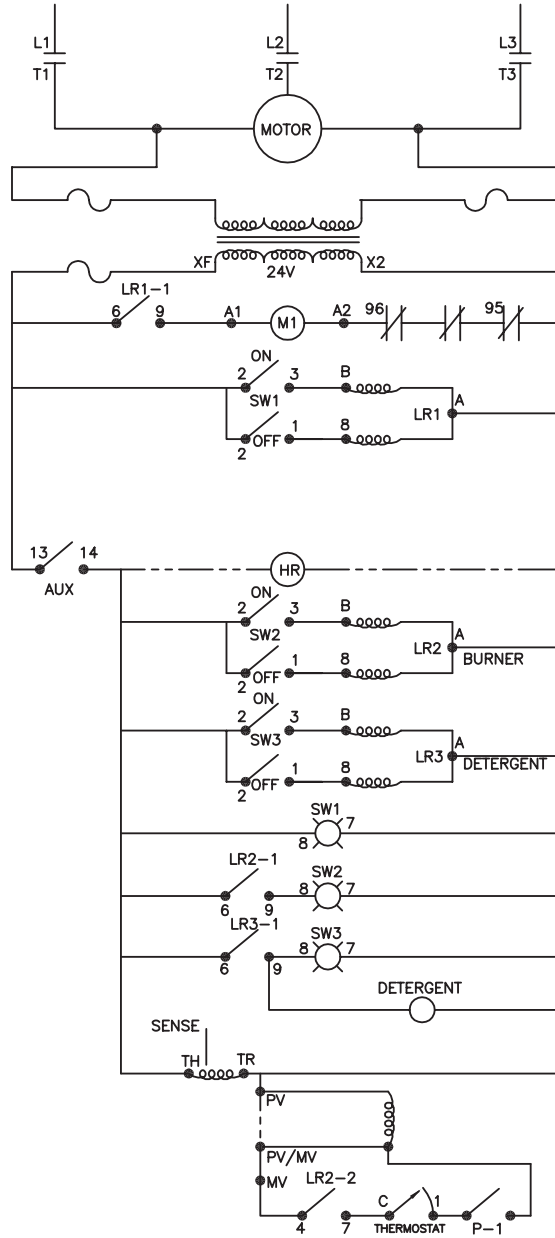
WS HEG-1805_2004_3004_3005-1PH WITH TIME DELAY 061212 MLK

WIRE DIAGRAM THREE PHASE WITH TIME DELAY (HX-0107)



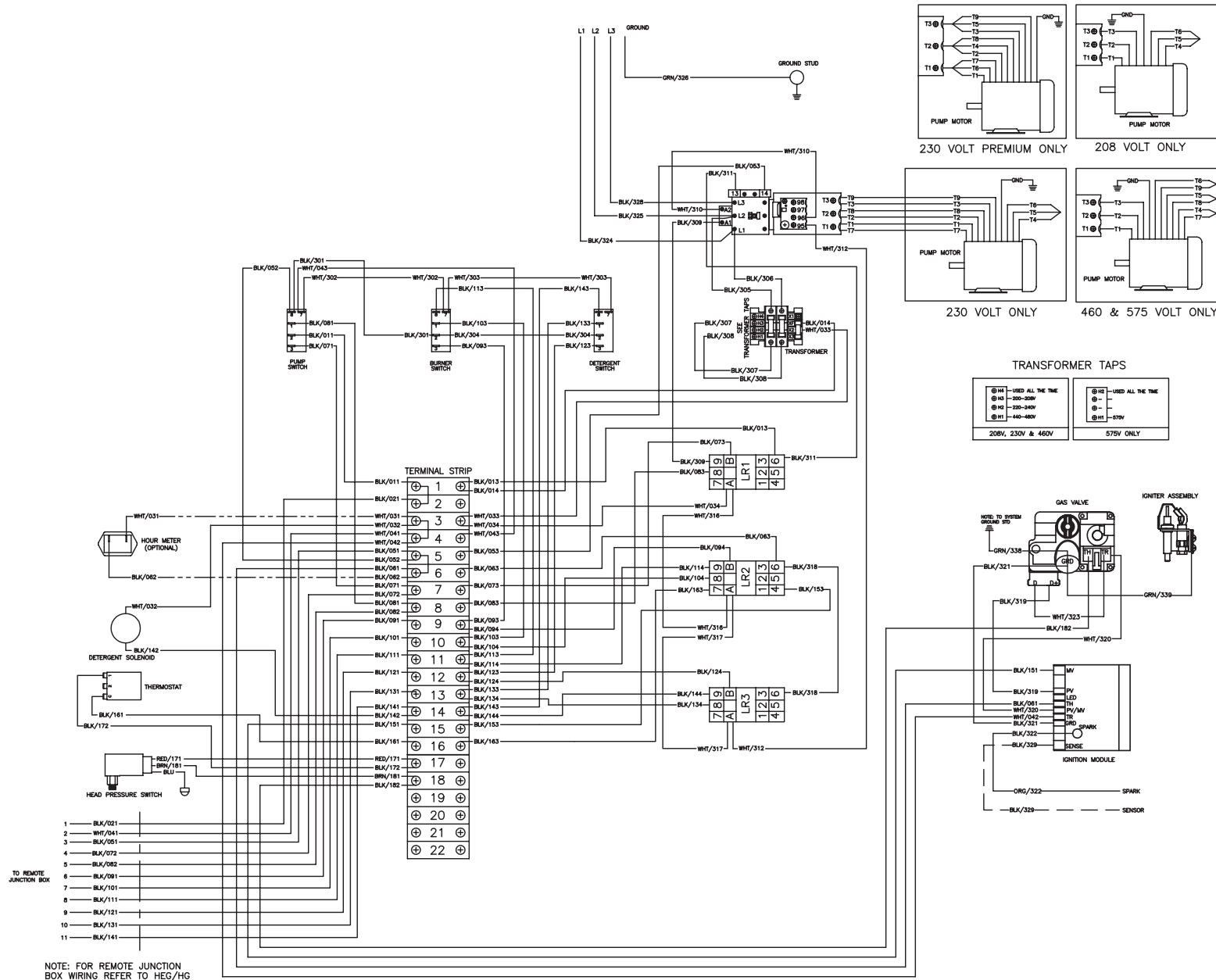
WD HEG-1805_2004_3004_3005-3PH WITH
TIME DELAY 061212

WIRE SCHEMATIC THREE PHASE WITH REMOTES (HX-0108)



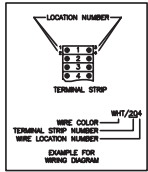
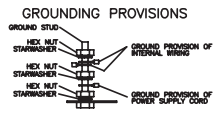
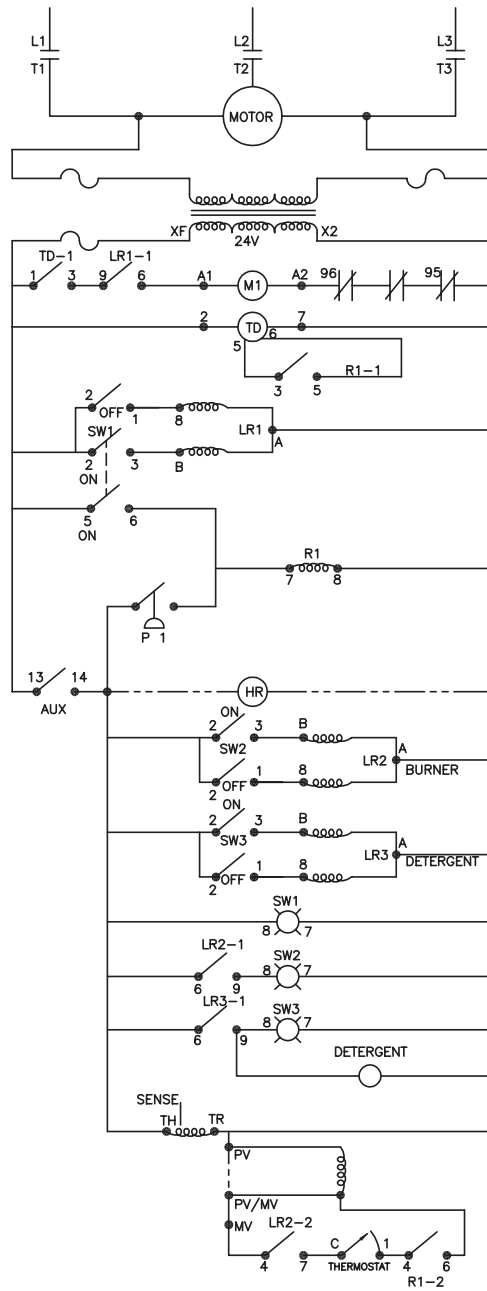
WDS HEG-1805_2004_3004_3005-3PH WITH REMOTES 120511 RSW

WIRE DIAGRAM THREE PHASE WITH REMOTES (HX-0108)



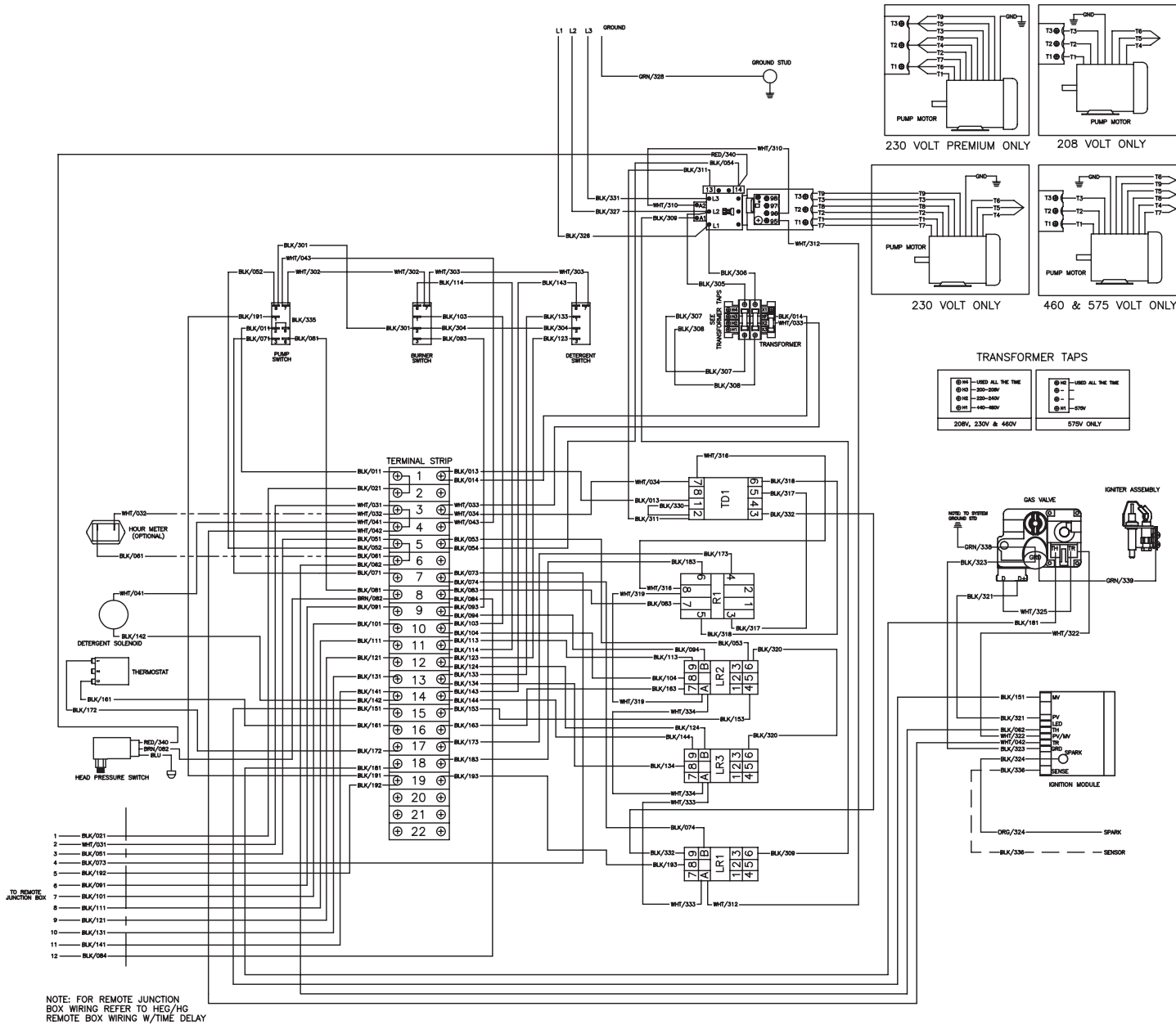
WDS HEG-1805_2004_3004_3005-3PH WITH REMOTES 120511 RSW

WIRE SCHEMATIC THREE PHASE WITH TIME DELAY AND REMOTES (HX-0109)



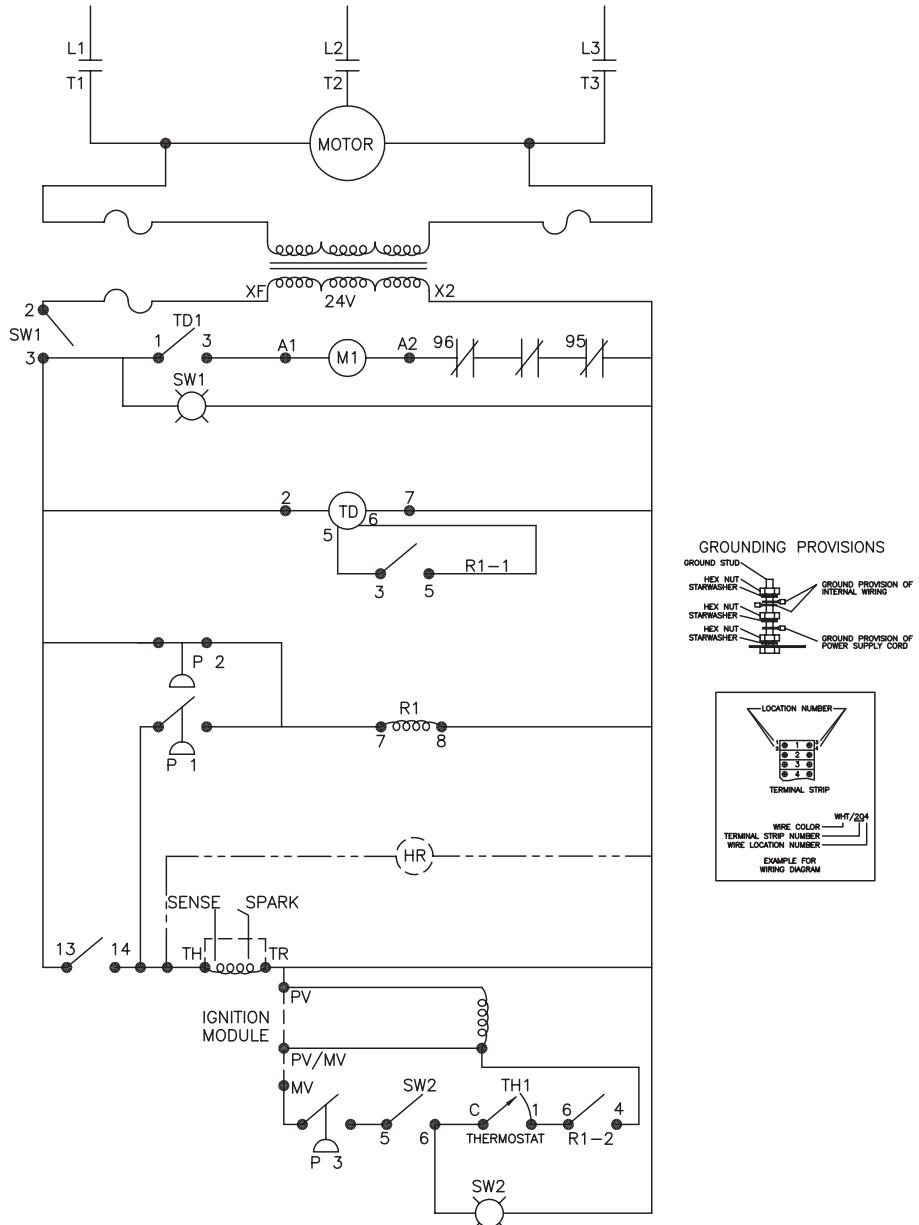
WS HEG-1805_2004_3004_3005-3PH WITH
 TIME DELAY & REMOTES_041913 JPS

WIRE DIAGRAM THREE PHASE WITH TIME DELAY AND REMOTES (HX-0109)



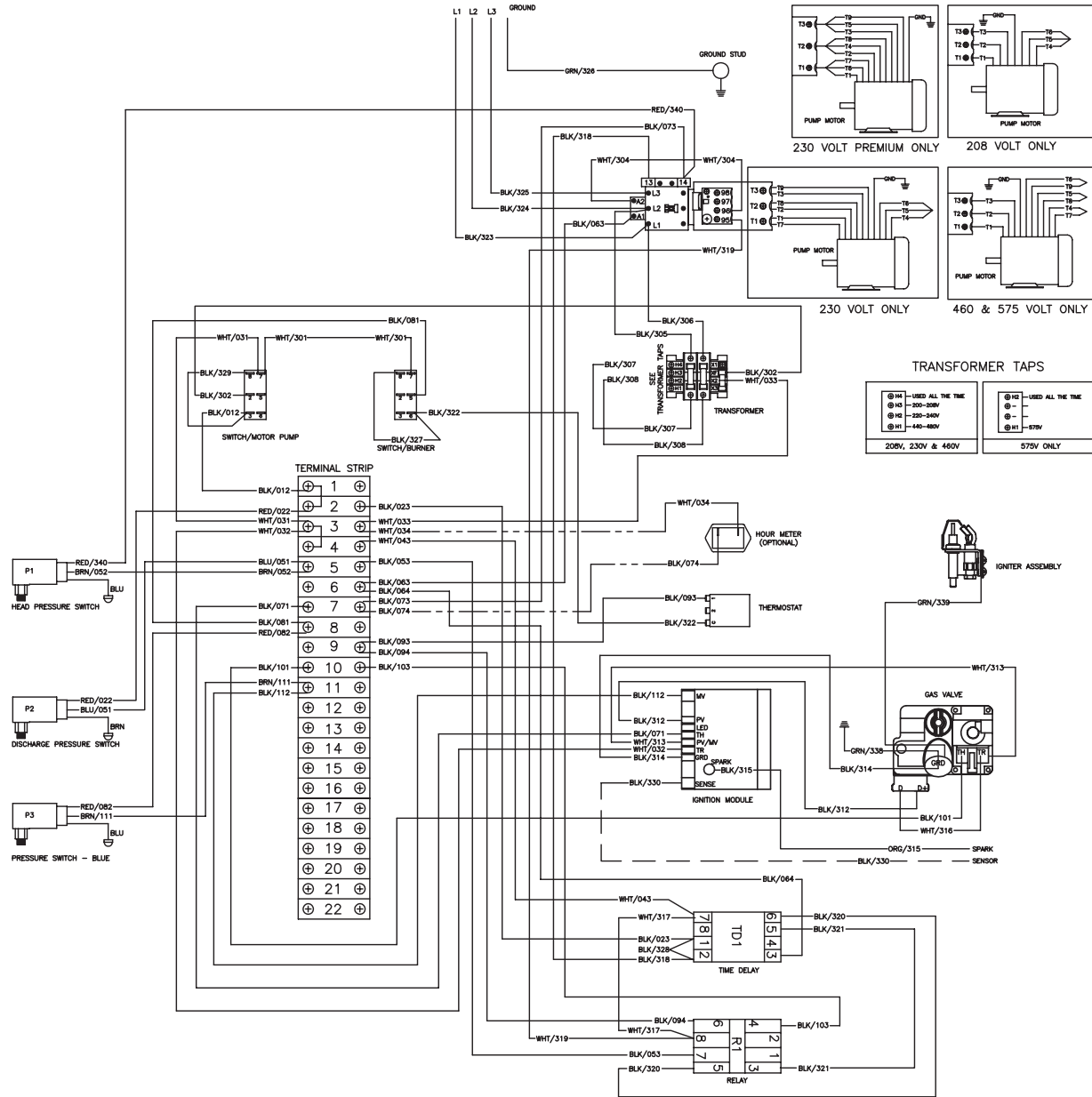
WD HEG-1805_2004_3004_3005-3PH WITH TIME DELAY & REMOTES_041913 JPS

WIRE SCHEMATIC THREE PHASE WITH AUTO/START STOP (HX-0111)



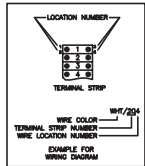
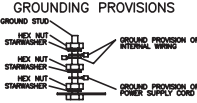
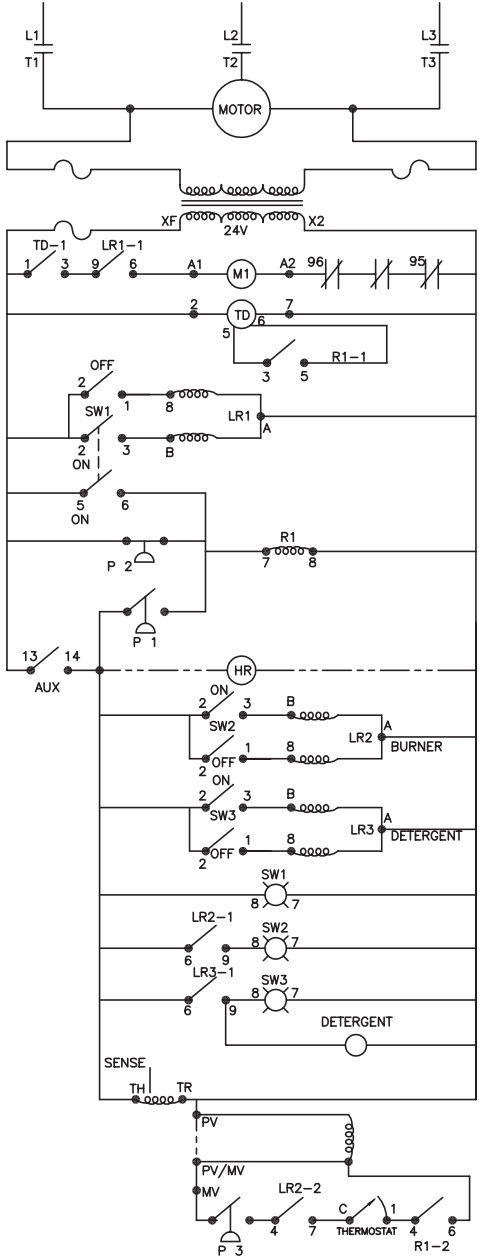
WS HEG-1805_2004_3004_3005-3PH WITH
AUTO SS 120511 RSW

WIRE DIAGRAM THREE PHASE WITH AUTO/START STOP (HX-0111)



WD HEG-1805_2004_3004_3005-3PH WITH AUTO SS 120511 RSW

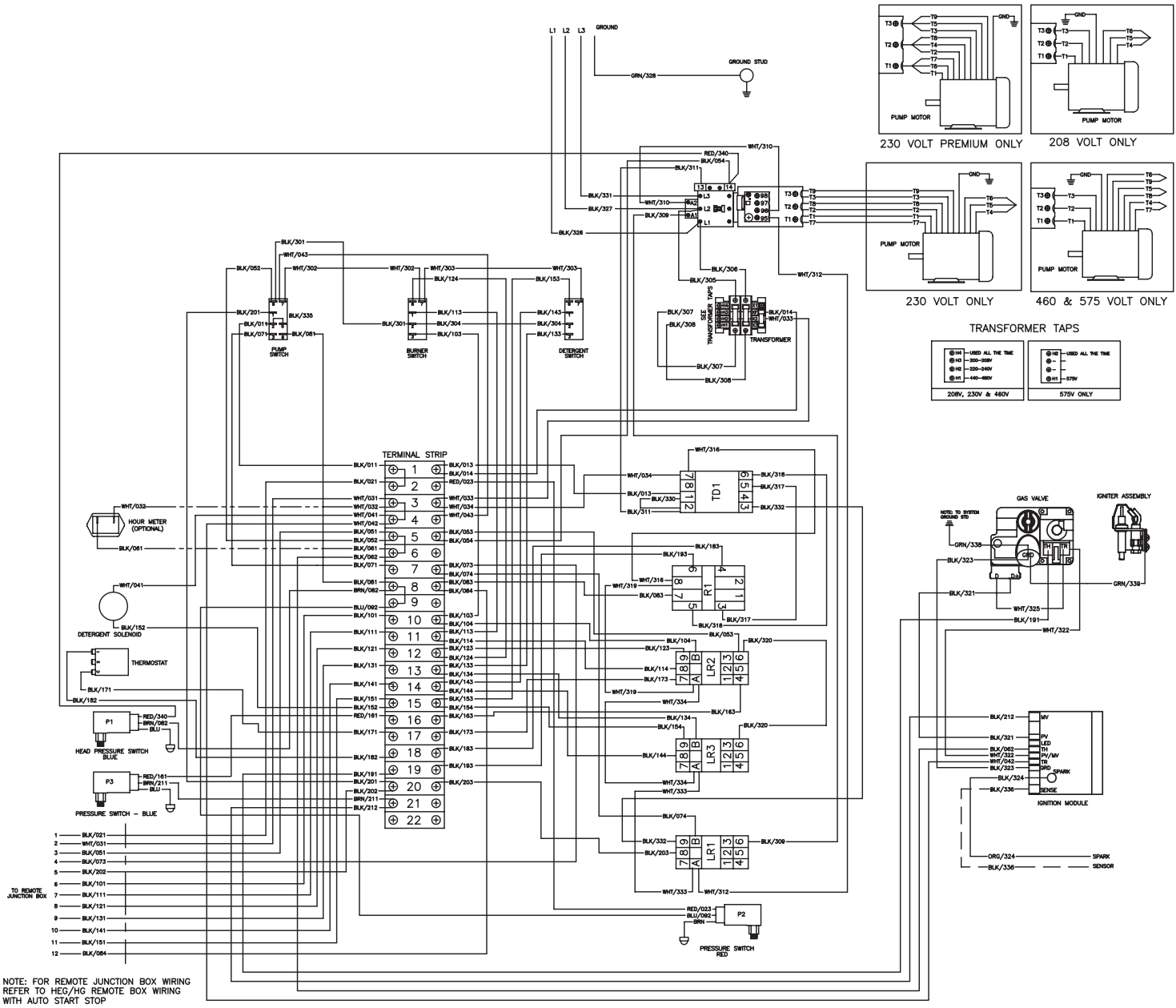
WIRE SCHEMATIC THREE PHASE WITH AUTO/START STOP AND REMOTES (HX-0124)



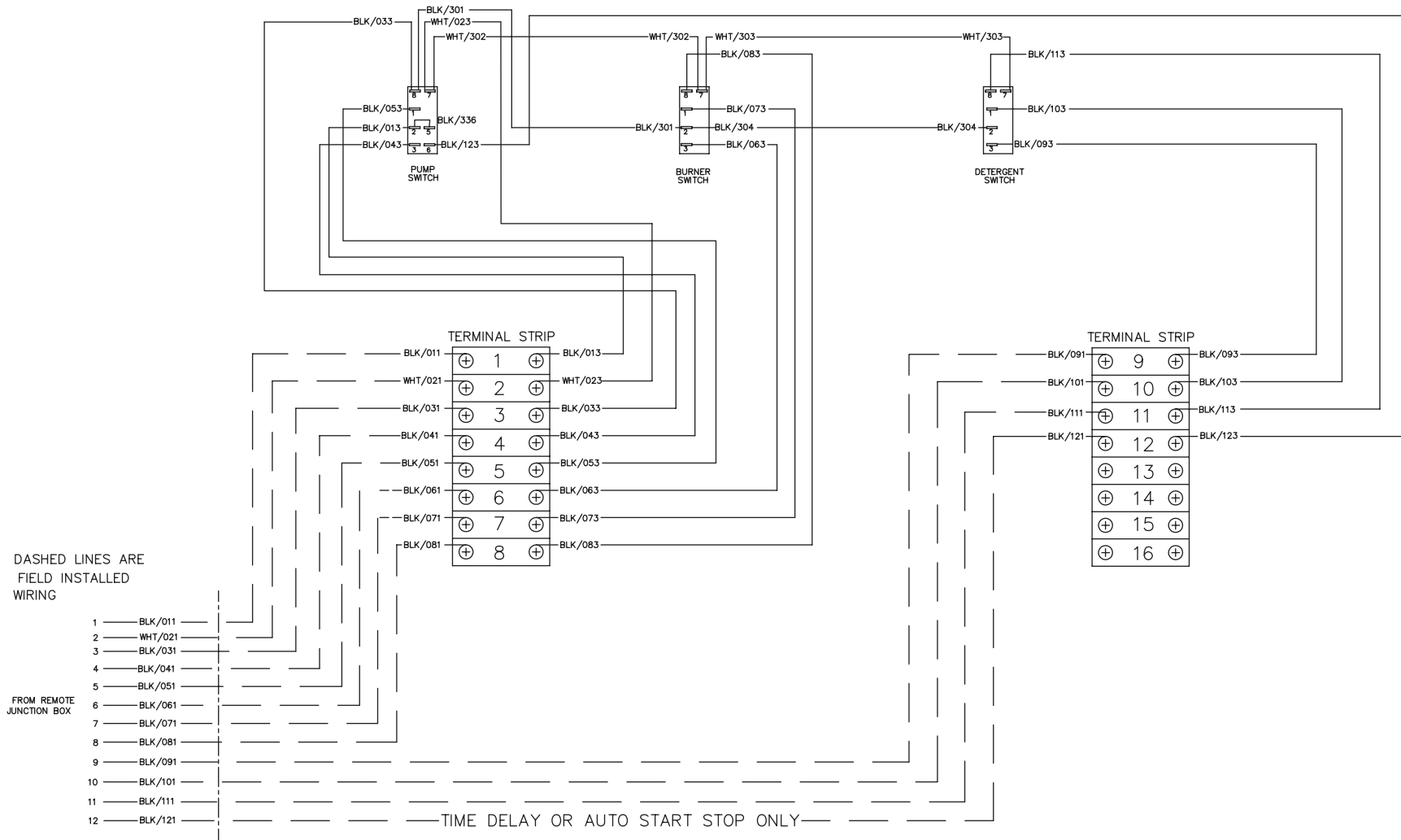
WS HEG-1805_2004_3004_3005-3PH WITH
 AUTO SS & REMOTES 120511 RSW

WIRE DIAGRAM THREE PHASE WITH AUTO/START STOP AND REMOTES (HX-0124)

WD HEG-1805_2004_3004_3005-3PH WITH AUTO SS & REMOTES 120511 RSW



WIRE DIAGRAM FOR REMOTE BOX (HX-0108 AND HX-0110)



Manufactured by Mi-T-M
8650 Enterprise Drive, Peosta IA 52068
563-556-7484/ Fax 563-556-1235