

PARTS LIST FOR ***HHS SERIES***

PUMP OIL GRADE:	SAE20 or 30 Non-Detergent	BTU INPUT	
PUMP OIL CAPACITY		HHS-1003:	257,600
HHS-1003:	15 oz.	HHS-2004:	386,400
HHS-2004, 3004, 3005:	41 oz.	HHS-3004:	341,800
FUEL NOZZLE		HHS-3005:	428,400
HHS-1003:	1.50 90°A Delavan	PRESSURE NOZZLE SIZE	
HHS-2004:	2.25 80°B Delavan	HHS-3004:	4.5
HHS-3004:	2.00 80°B Delavan	HHS-1003/3005:	5.5
HHS-3005:	2.50 80°B Delavan	HHS-2004:	6.0

This Parts Listing has been compiled for your benefit. You can be assured your hot water pressure washer was constructed and designed with quality and performance in mind. Each component has been rigorously tested to insure the highest level of acceptance.

The contents of this Parts Listing are based on the latest product information available at the time of publication. The manufacturer reserves the right to make changes in price, color, materials, equipment, specifications or models at any time without notice.

WARNING

THIS IS A PROFESSIONAL HIGH PRESSURE, HOT WATER PRESSURE WASHER. CAUTION SHOULD BE OBSERVED WHEN USING OR REPAIRING THIS UNIT! READ AND FOLLOW THE SAFETY WARNINGS LISTED BELOW BEFORE ATTEMPTING ANY REPAIRS ON THIS PRESSURE WASHER!

SAFETY WARNINGS

1. NEVER alter or modify the equipment. Be sure any accessory items and system components being used will withstand the pressure developed. Use only genuine manufacturer parts for repair of your pressure washer. Failure to do so can cause hazardous operating conditions and will VOID warranty.
2. This unit has multiple safety devices which should never be altered, modified, removed or made inoperable. If a device fails, replace immediately with only genuine manufacturer replacement parts.
3. Electrical System: The unit must be connected to a properly grounded electrical source which provides the correct voltage and adequate fuse protection. Disconnect from power source when making repairs. Never assume the pressure washer is safe to work on just because it is not operating. It could restart at any time. Never operate the pressure washer with electrical enclosures open, removed or damaged. Do not allow metal components of the pressure washer to come in contact with live electrical components.
4. Do not operate the unit without all protective covers in place. Know how to stop and bleed pressures quickly. Be thoroughly familiar with controls.
5. Before servicing the unit, turn unit off, and trigger the gun to release trapped pressure. Do not make repairs while the unit is running. Service in a clean, dry, flat area.
6. After testing the machine, DO NOT leave the pressurized unit unattended. Shut off the unit and release trapped pressure before leaving.

Table of Contents

SPECIFICATIONS.....	4
SPECIFICATIONS.....	5
SPECIFICATIONS.....	6
SPECIFICATIONS.....	7
FLOW CHART	8
GENERAL THEORY OF OPERATION	9
SAFETY DECAL PLACEMENT.....	10
UNIT ASSEMBLY.....	12
ELECTRICAL BOX FOR HHS-1003-2E1G & 2004/3004/3005-2E2G/A & 2E8G.....	14
ELECTRICAL BOX FOR HHS-2004/3004/3005-2E3G & 2E9G	16
ELECTRICAL BOX FOR HHS-2004/3004/3005-2E4G & 2E5G	18
HEAT EXCHANGER ASSEMBLY.....	20
BURNER ASSEMBLY (4-0033 AND 4-0034)	22
BURNER ASSEMBLY (4-0032)	24
FLOAT TANK ASSEMBLY.....	26
FUEL TANK ASSEMBLY (850-0303)	28
MOTOR/PUMP ASSEMBLY FOR HHS-1003-2E1G AND HHS-2004/3004/3005G/A.....	30
PUMP ASSEMBLY (3-0005)	32
PUMP ASSEMBLY (3-0202)	34
PUMP ASSEMBLY (3-0211)	36
UNLOADER (850-0252).....	38
PRESSURE SWITCH (22-0171 AND 22-0243)	40
GUN/WAND/HOSE ASSEMBLY	42
DUAL LANCE ASSEMBLY (16-0416 & 16-0417)	44
WIRE SCHEMATIC FOR HHS-1003-2E1G	46
WIRE DIAGRAM FOR HHS-1003-2E1G	47
WIRE SCHEMATIC FOR HHS-2004/3004/3005-2E2G/A & 2E8G	48
WIRE DIAGRAM FOR HHS-2004/3004/3005-2E2G/A & 2E8G	49
WIRE SCHEMATIC FOR HHS-2004/3004/3005-2E3G & 2E9G	50
WIRE DIAGRAM FOR HHS-2004/3004/3005-2E3G & 2E9G	51
WIRE SCHEMATIC FOR HHS-2004/3004/3005-2E4G	52
WIRE DIAGRAM FOR HHS-2004/3004/3005-2E4G	53
WIRE SCHEMATIC FOR HHS-2004/3004/3005-2E5G	54
WIRE DIAGRAM FOR HHS-2004/3004/3005-2E5G	55
AUTO START/STOP OR TIME DELAY SHUTDOWN	56
OPTION AVAILABILITY LISTING	57

SPECIFICATIONS

MODEL NUMBER	HHS-1003-2E1G
Operating Pressure (psi/Bar):	1000/69
Water Volume (gpm/Lpm):	2.8/10.6
Outlet Water Temperature (F/C):	140°F/78°C (+/- 10°F) rise above inlet ambient (180°F/82°C maximum)
Electrical System:	
Phase	Single
Hz	60
Voltage	115
Total System Amperage	20.0
On/Off Switch	Industrial Rocker Switch
Motor (Pump):	ODP
Horsepower	2.0
RPM	3450
Amperage	16.8
Service Factor	1.15
High Pressure Pump:	Belt Driven, Oil Bath, Triplex Piston
Oil Type	SAE20 or 30 Non-Detergent
Oil Capacity (oz/Liters)	15/.45
Plungers	Ceramic
Manifold	Forged Brass
Valves	Stainless Steel
Water System:	
Inlet Water Strainer	Removable Thimble for inspection and cleaning of Stainless Steel Screen
Float Tank Strainer	Removable Strainer for inspection and cleaning of Stainless Steel Screen
Float Tank Capacity (gal/Liters)	4.75/18.0
Unloader	Pressure Trapping, Preset
Thermal Relief Valve	Protects pump against damaging heat in recirculated and inlet water
Detergent System	Adjustable Metering Valve
Burner Fuel System:	
Fuel Type	No. 1 or No. 2 Fuel Oil, Diesel or Kerosene
Fuel Capacity (gal/Liters)	10/37.8
Fuel Filter/Water Separator	Spin on (10 micron) filter/E-Z water drain
Fuel Pump	Two Line, Single Stage
Fuel Pressure (psi/Bar)	150/10.4
Fuel Nozzle	1.50 90° A Delavan
Fuel Consumption (gph/Lph, cont. burning)	1.84/6.96
Burner Electrical System:	
Voltage	115
Amps	3.0
Heat Exchanger:	Horizontal, Side Fired, Pancake Coil
BTU Input	257,600
Efficiency	75% with #2 Fuel Oil/Diesel
Smoke Density	0-3 per ASTM D2156
Safety System:	
Pressure Switch	Shuts off burner fuel supply upon trigger release
Fuel Solenoid Valve	24 Volt, controls fuel supply to burner
Safety Relief	Relieves excess system pressure
High Pressure Nozzle:	5.5
Unit Net Weight (lbs/kg):	490/222.5
Unit Shipping Weight (lbs/kg):	620/277
Unit Net Dimensions (in/cm):	56.5Lx30Wx41.5H/143.5Lx76Wx105.5H
Unit Shipping Dimensions (in/cm):	57.5Lx35.5Wx59.5H/146Lx90Wx151H
Warranty:	
Unit	(2) Two Year Limited Warranty
Coil	(5) Five Year Limited Warranty
AR Pump Crankcase	(5) Five Year Limited Warranty
General Pump Crankcase	(10) Ten Year Limited Warranty
Pump Manifold	Lifetime Limited Warranty

SPECIFICATIONS

MODEL NUMBER	HHS-2004-2E2A	HHS-2004-2E2G	HHS-2004-2E3G	HHS-2004-2E4G	HHS-2004-2E8G	HHS-2004-2E9G
Operating Pressure (psi/Bar):	2000/138					
Water Volume (gpm/Lpm):	4.2/15.9					
Outlet Water Temperature (F/C):	140°F/78°C (+/- 10°F) rise above inlet ambient (180°F/82°C maximum)					
Electrical System:						
Phase	Single		Three		Single	Three
Hz	60					
Voltage	230		460		208	
Total System Amperage	28.0		18.5	12.0	30.7	21.0
On/Off Switch	Industrial Rocker Switch					
Motor (Pump):	ODP					
Horsepower	6.0					
RPM	1750					
Amperage	25.5		16.0	12.0	28.2	18.5
Service Factor	1.15					
High Pressure Pump:	Belt Driven, Oil Bath, Triplex Piston					
Oil Type	SAE20 or 30 Non-Detergent					
Oil Capacity (oz/Liters)	15/.45	41/1.2				
Plungers	Ceramic					
Manifold	Forged Brass					
Valves	Stainless Steel					
Water System:						
Inlet Water Strainer	Removable Thimble for inspection and cleaning of Stainless Steel Screen					
Float Tank Strainer	Removable Strainer for inspection and cleaning of Stainless Steel Screen					
Float Tank Capacity (gal/Liters)	4.75/18.0					
Unloader	Pressure Trapping, Preset					
Thermal Relief Valve	Protects pump against damaging heat in recirculated and inlet water					
Detergent System	Adjustable Metering Valve					
Burner Fuel System:						
Fuel Type	No. 1 or No. 2 Fuel Oil, Diesel or Kerosene					
Fuel Capacity (gal/Liters)	10/37.8					
Fuel Filter/Water Separator	Spin on (10 micron) filter/E-Z water drain					
Fuel Pump	Two Line, Single Stage					
Fuel Pressure (psi/Bar)	150/10.4					
Fuel Nozzle	2.25 80° B Delavan					
Fuel Consumption (gph/Lph, cont. burning)	2.76/10.4					
Burner Electrical System:						
Voltage	230		115		230	
Amps	2.5		4.0		2.5	
Heat Exchanger:	Horizontal, Side Fired, Pancake Coil					
BTU Input	386,400					
Efficiency	75% with #2 Fuel Oil/Diesel					
Smoke Density	0-3 per ASTM D2156					
Safety System:						
Pressure Switch	Shuts off burner fuel supply upon trigger release					
Fuel Solenoid Valve	24 Volt, controls fuel supply to burner					
Safety Relief	Relieves excess system pressure					
High Pressure Nozzle:	6.0					
Unit Net Weight (lbs/kg):	550/249					
Unit Shipping Weight (lbs/kg):	670/304.1					
Unit Net Dimensions (in/cm):	56.5Lx30Wx41.5H/143.5Lx76Wx105.5H					
Unit Shipping Dimensions (in/cm):	57.5Lx35.5Wx59.5H/146Lx90Wx151H					
Warranty:						
Unit	(2) Two Year Limited Warranty					
Coil	(5) Five Year Limited Warranty					
AR Pump Crankcase	(5) Five Year Limited Warranty					
General Pump Crankcase	(10) Ten Year Limited Warranty					
Pump Manifold	Lifetime Limited Warranty					

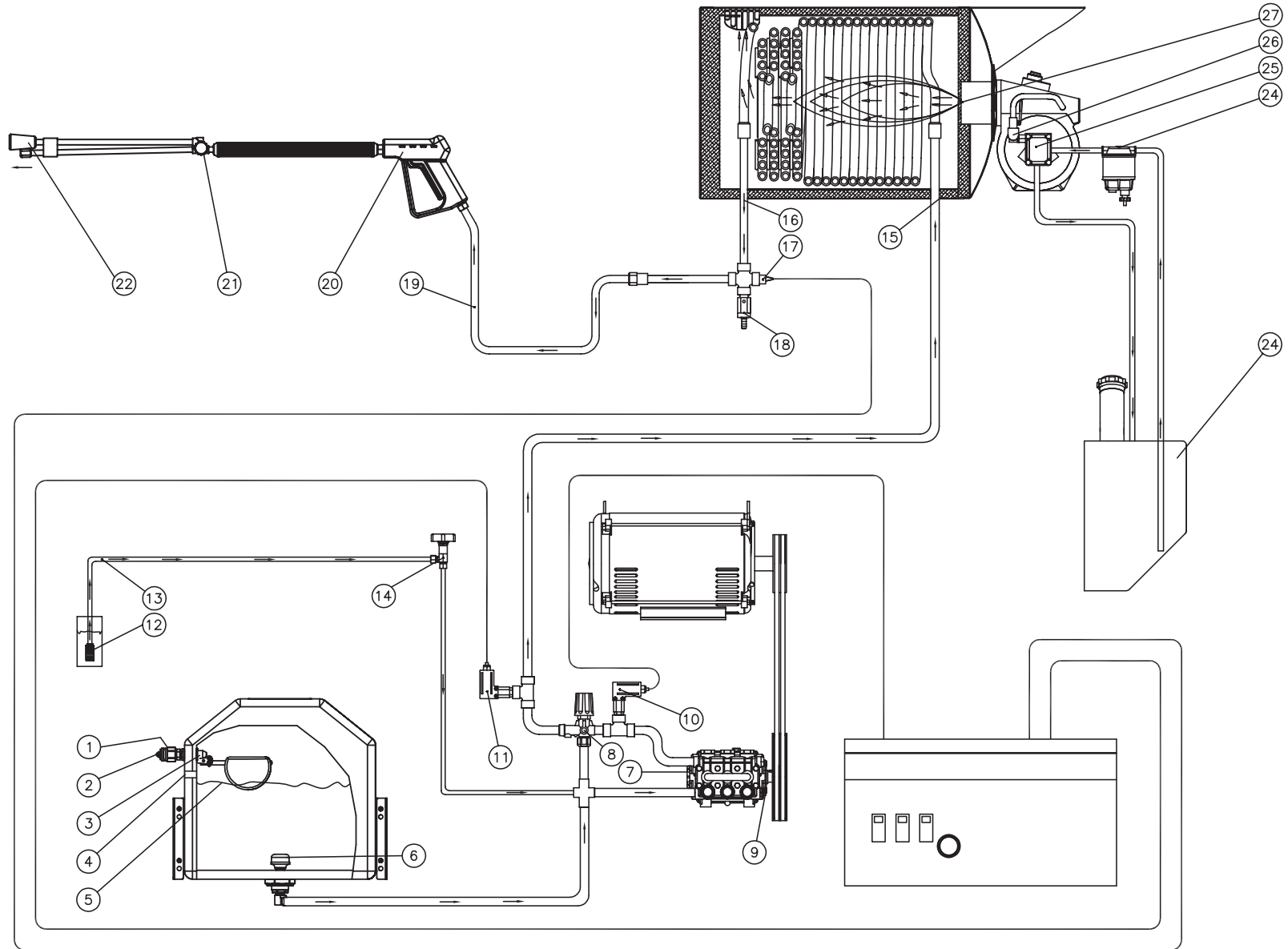
SPECIFICATIONS

MODEL NUMBER	HHS-3004-2E2A	HHS-3004-2E2G	HHS-3004-2E3G	HHS-3004-2E4G	HHS-3004-2E5G	HHS-3004-2E8G	HHS-3004-2E9G
Operating Pressure (psi/Bar):	3000/207						
Water Volume (gpm/Lpm):	3.9/14.7						
Outlet Water Temperature (F/C):	140°F/78°C (+/- 10°F) rise above inlet ambient (180°F/82°C maximum)						
Electrical System:							
Phase	Single		Three			Single	Three
Hz							
Voltage	230		460		575	208	
Total System Amperage	39.5		22.5	14.0	12.0	43.0	25.5
On/Off Switch	Industrial Rocker Switch						
Motor (Pump):	ODP						
Horsepower	8.0						
RPM	1750						
Amperage	37.0		20.0	10.0	8.0	40.5	23.0
Service Factor	1.15						
High Pressure Pump:	Belt Driven, Oil Bath, Triplex Piston						
Oil Type	SAE20 or 30 Non-Detergent						
Oil Capacity (oz/Liters)	15/45		41/1.2				
Plungers	Ceramic						
Manifold	Forged Brass						
Valves	Stainless Steel						
Water System:							
Inlet Water Strainer	Removable Thimble for inspection and cleaning of Stainless Steel Screen						
Float Tank Strainer	Removable Strainer for inspection and cleaning of Stainless Steel Screen						
Float Tank Capacity (gal/Liters)	4.75/18.0						
Unloader	Pressure Trapping, Preset						
Thermal Relief Valve	Protects pump against damaging heat in recirculated and inlet water						
Detergent System	Adjustable Metering Valve						
Burner Fuel System:							
Fuel Type	No. 1 or No. 2 Fuel Oil, Diesel or Kerosene						
Fuel Capacity (gal/Liters)	10/37.8						
Fuel Filter/Water Separator	Spin on (10 micron) filter/E-Z water drain						
Fuel Pump	Two Line, Single Stage						
Fuel Pressure (psi/Bar)	150/10.4						
Fuel Nozzle	2.00 80° B Delavan						
Fuel Consumption (gph/Lph, cont. burning)	2.14/8.1						
Burner Electrical System:							
Voltage	230		115			230	
Amps	2.5		4.0			2.5	
Heat Exchanger:	Horizontal, Side Fired, Pancake Coil						
BTU Input	341,800						
Efficiency	75% with #2 Fuel Oil/Diesel						
Smoke Density	0-3 per ASTM D2156						
Safety System:							
Pressure Switch	Shuts off burner fuel supply upon trigger release						
Fuel Solenoid Valve	24 Volt, controls fuel supply to burner						
Safety Relief	Relieves excess system pressure						
High Pressure Nozzle:	4.5						
Unit Net Weight (lbs/kg):	580/263.2						
Unit Shipping Weight (lbs/kg):	700/317.6						
Unit Net Dimensions (in/cm):	56.5Lx30Wx41.5H/143.5Lx76Wx105.5H						
Unit Shipping Dimensions (in/cm):	57.5Lx35.5Wx59.5H/146Lx90Wx151H						
Warranty:							
Unit	(2) Two Year Limited Warranty						
Coil	(5) Five Year Limited Warranty						
AR Pump Crankcase	(5) Five Year Limited Warranty						
General Pump Crankcase	(10) Ten Year Limited Warranty						
Pump Manifold	Lifetime Limited Warranty						

SPECIFICATIONS

MODEL NUMBER	HHS-3005-2E2G	HHS-3005-2E3G	HHS-3005-2E4G	HHS-3005-2E5G	HHS-3005-2E8G	HHS-3005-2E9G
Operating Pressure (psi/Bar):						
Water Volume (gpm/Lpm):	4.8/18.1					
Outlet Water Temperature (F/C):	140°F/78°C (+/- 10°F) rise above inlet ambient (180°F/82°C maximum)					
Electrical System:						
Phase	Single	Three			Single	Three
Hz						
Voltage	230		460	575	208	
Total System Amperage	46.5	27.5	16.5	14.0	50.7	31.5
On/Off Switch	Industrial Rocker Switch					
Motor (Pump):	ODP					
Horsepower	10.0					
RPM	1750					
Amperage	44.0	25.0	12.5	10.0	48.2	27.6
Service Factor	1.15					
High Pressure Pump:	Belt Driven, Oil Bath, Triplex Piston					
Oil Type	SAE20 or 30 Non-Detergent					
Oil Capacity (oz/Liters)	Ceramic					
Plungers	Forged Brass					
Manifold	Stainless Steel					
Valves						
Water System:	Removable Thimble for inspection and cleaning of Stainless Steel Screen					
Inlet Water Strainer	Removable Strainer for inspection and cleaning of Stainless Steel Screen					
Float Tank Strainer	4.75/18.0					
Float Tank Capacity (gal/Liters)	Pressure Trapping, Preset					
Unloader	Protects pump against damaging heat in recirculated and inlet water					
Thermal Relief Valve	Adjustable Metering Valve					
Detergent System						
Burner Fuel System:	No. 1 or No. 2 Fuel Oil, Diesel or Kerosene					
Fuel Type	10/37.8					
Fuel Capacity (gal/Liters)	Spin on (10 micron) filter/E-Z water drain					
Fuel Filter/Water Separator	Two Line, Single Stage					
Fuel Pump	150/10.4					
Fuel Pressure (psi/Bar)						
Fuel Nozzle	2.50 80° B Delavan					
Fuel Consumption (gph/Lph, cont. burning)	3.06/11.58					
Burner Electrical System:						
Voltage	230		115		230	
Amps	2.5		4.0		2.5	
Heat Exchanger:	Horizontal, Side Fired, Pancake Coil					
BTU Input	428,400					
Efficiency	75% with #2 Fuel Oil/Diesel					
Smoke Density	0-3 per ASTM D2156					
Safety System:						
Pressure Switch	Shuts off burner fuel supply upon trigger release					
Fuel Solenoid Valve	24 Volt, controls fuel supply to burner					
Safety Relief	Relieves excess system pressure					
High Pressure Nozzle:	5.5					
Unit Net Weight (lbs/kg):	584/265					
Unit Shipping Weight (lbs/kg):	704/319.5					
Unit Net Dimensions (in/cm):	56.5Lx30Wx41.5H/143.5Lx76Wx105.5H					
Unit Shipping Dimensions (in/cm):	57.5Lx35.5Wx59.5H/146Lx90Wx151H					
Warranty:						
Unit	(2) Two Year Limited Warranty					
Coil	(5) Five Year Limited Warranty					
AR Pump Crankcase	(5) Five Year Limited Warranty					
General Pump Crankcase	(10) Ten Year Limited Warranty					
Pump Manifold	Lifetime Limited Warranty					

FLOW CHART



HHS FLOW DIAGRAM-021714 RJA

GENERAL THEORY OF OPERATION

WATER FLOW: Connect a pressurized water source to the INLET GARDEN HOSE CONNECTION (1) and turn on the water supply. The water will flow through a WATER STRAINER (2) and then through a FLOAT VALVE (3) into a WATER FLOAT TANK (5). If the water rises above the OVERFLOW HOLES (4), the excess water will drain out the unit through the overflow tube.

The water is then drawn through the WATER STRAINER (6) and into the TRIPLEX HIGH PRESSURE PUMP (7) which has an UNLOADER (8) that bypasses the water when the trigger gun is closed. To protect the pump from heated water during this bypass stage, a THERMAL RELIEF VALVE (9) will open at 140°F/60°C allowing the heated water to escape. The Thermal Relief Valve automatically resets when the water cools. The BURNER CONTROL PRESSURE SWITCH (10) controls the fuel supply to the burner and will activate the timer because the unit is equipped with a Auto Start/Stop and Time Delay. Following is the AUTO START/STOP PRESSURE SWITCH (11) and activates the shut-off of the Auto Start/Stop feature.

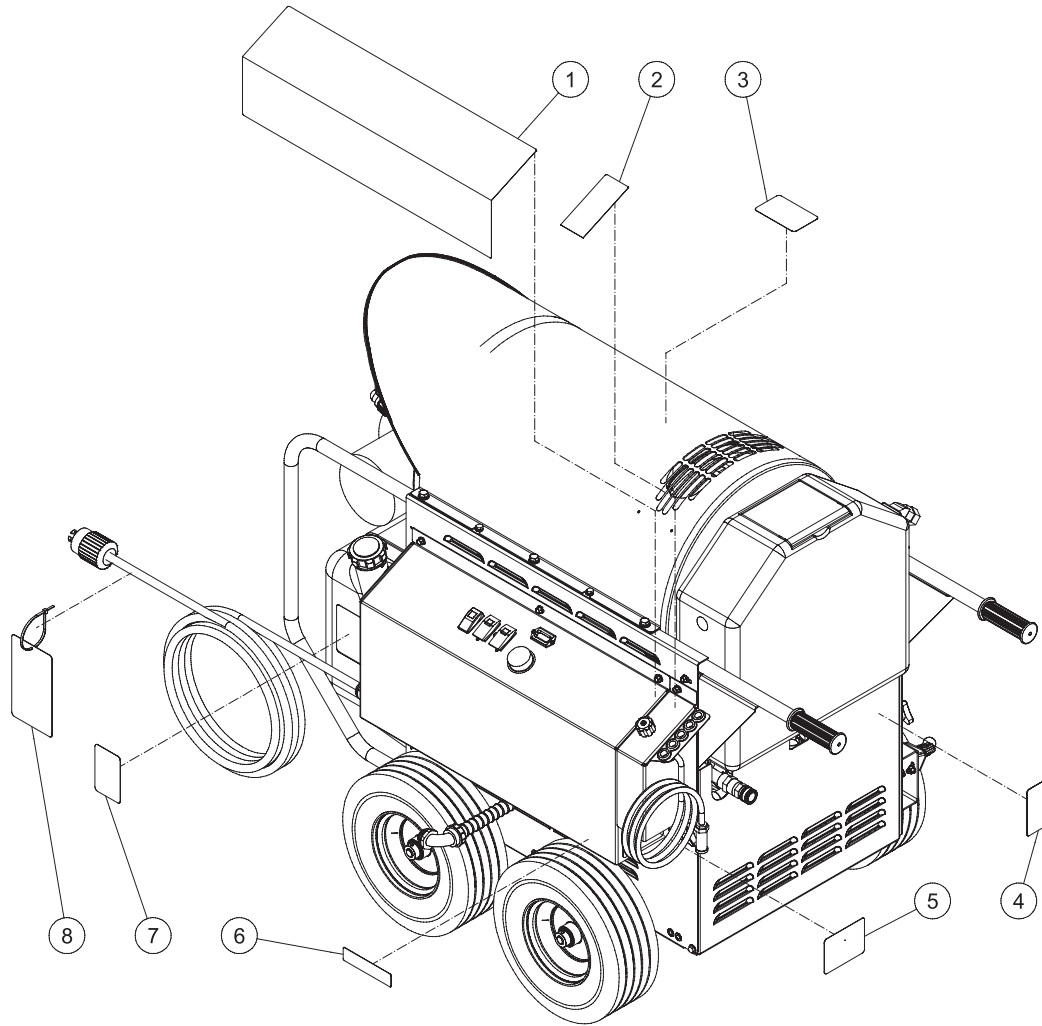
When using detergents, the solution passes through the DETERGENT STRAINER (12) located on the DETERGENT HOSE (13). The detergent solution then travels through the DETERGENT METERING VALVE (14).

From there, the water flows through HEAT EXCHANGER INLET (15) where it is heated when the burner is on. As the water exits the HEAT EXCHANGER OUTLET (16), it enters a safety system which protects the operator from danger. The safety system contains an ADJUSTABLE THERMOSTAT (17) which controls the working temperature of the unit, allowing the operator to set the unit to the desired water temperature setting. If the unloader fails to bypass water or the burner remains on when the trigger gun is closed, the SAFETY RELIEF VALVE (18) will relieve and allow water to exit safely.

The heated water then flows through the HIGH PRESSURE HOSE (19) and to the TRIGGER GUN ASSEMBLY (20) which allows the operator to control the water spray. When the trigger gun is open, the water flows through the ADJUSTABLE PRESSURE DUAL LANCE (21) and exits the NOZZLE (22).

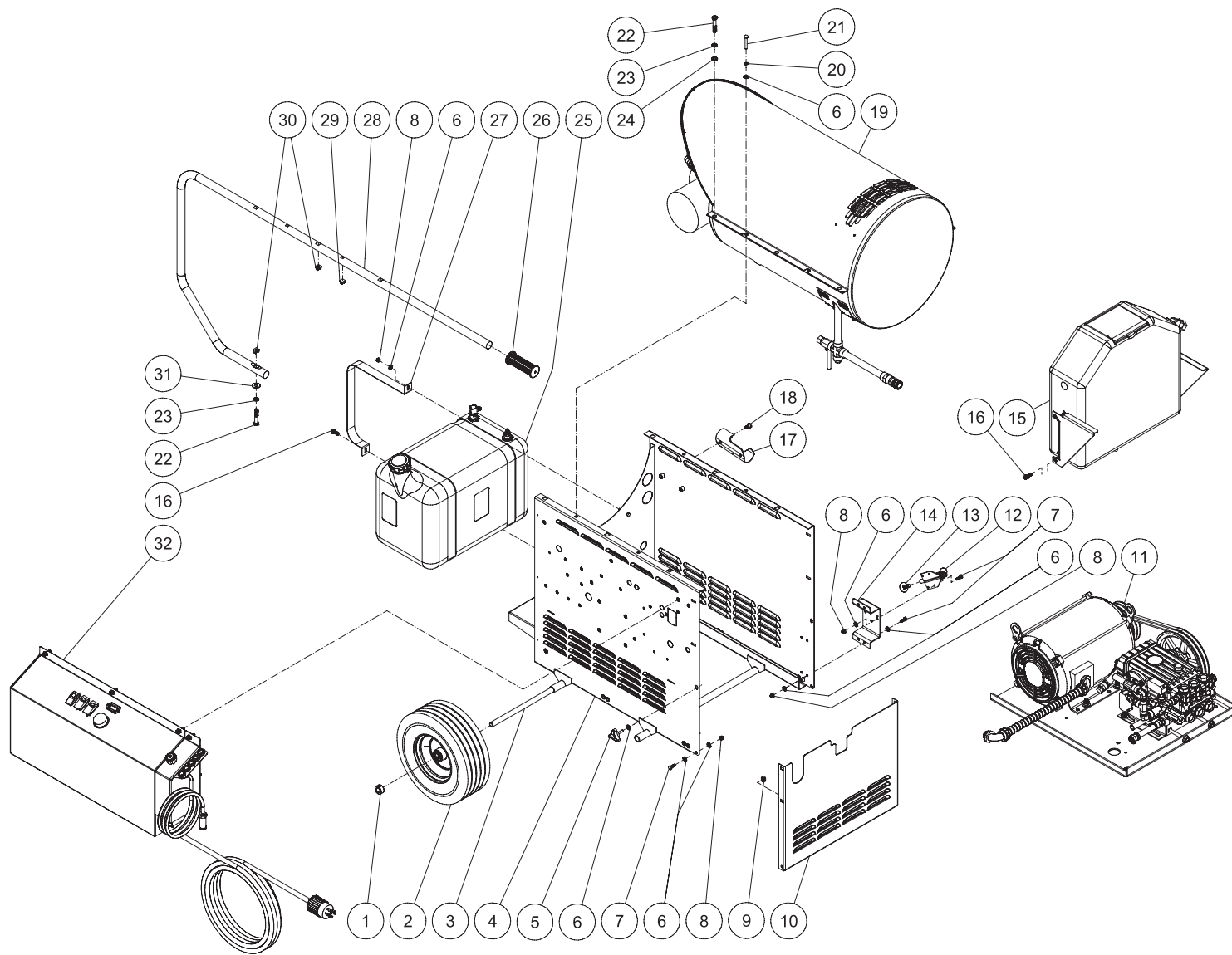
FUEL FLOW: The Fuel Pump draws fuel from the FUEL TANK (23) through a replaceable FUEL FILTER/WATER SEPARATOR (24) and into the FUEL PUMP (25). Fuel exits the fuel pump, into a FUEL SOLENOID VALVE (26) which controls fuel flow to the FUEL NOZZLE (27) where it ignites and burns in the heat exchanger.

SAFETY DECAL PLACEMENT



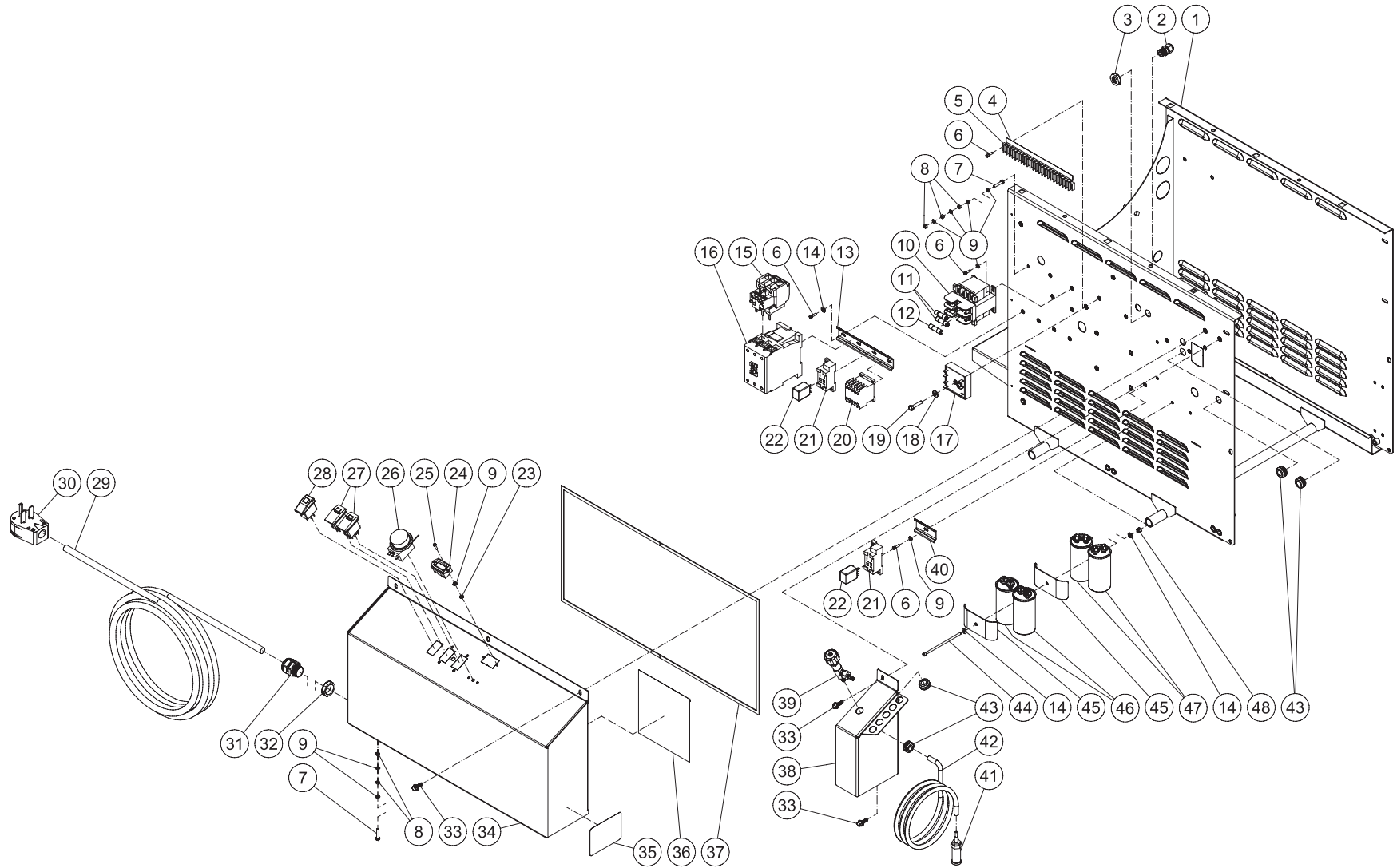
SAFETY DECALS HHS 051914 RJA			
SAFETY DECALS			
ITEM	DESCRIPTION	PART #	QTY
1	DECAL-WARN/CAUT/OPER (E/S/F)	N/A	1
2	DECAL-CHEM INJ & NOZZLES	N/A	1
3	DECAL - WARNING HOT SURFACES	N/A	1
4	DECAL - WARNING; RISK OF INJURY	N/A	1
5	DECAL - HW DATA PLATE	N/A	1
6	PRESSURE DECAL	N/A	1
7	DECAL- CAUTION RISK OF FIRE	N/A	1
8	TAG - WARN RISK OF ELECTRO (E/F/S)	34-1035	1
-	DECAL SET	71-0122	

UNIT ASSEMBLY



HHS UNIT ASSY030217 RJA			
UNIT ASSMBLY			
ITEM	DESCRIPTION	PART #	QTY
1	COLLAR	33-0351	4
2	WHEEL	14-0127	4
3	AXLE	20-0524	2
4	CHASSIS	5-0337A18	1
5	KNOB	7-0168	2
6	WASHER	28-0002	24
7	BOLT	27-0015	10
8	LOCKNUT	30-0155	12
9	CLIP NUT	30-6026	2
10	ACCESS DOOR	20-0525A18	1
11	MOTOR PUMP PLATE ASSEMBLY	N/A	1
12	PUSH/PULL TOGGLE CLAMP	33-0400	1
13	BOLT	27-9550	1
14	BRAKE BRACKET	20-0825A18	1
15	FLOAT TANK ASSEMBLY	N/A	1
16	BOLT	27-1200	6
17	WAND HOLDER	20-0870A18	1
18	BOLT	27-0419	2
19	HEAT EXCHANGER ASSEMBLY	N/A	1
20	LOCKWASHER	29-0006	8
21	BOLT	27-0019	4
22	BOLT	27-0121	8
23	LOCKWASHER	29-0008	8
24	WASHER	28-0030	6
25	FUEL TANK ASSEMBLY	850-0303	1
26	HANDLE GRIP	7-0167	2
27	FUEL TANK STRAP	20-0598A18	2
28	HANDLE	7-0166A18	2
29	CLIP NUT	30-6027	4
30	CLIP NUT	30-6025	8
31	WASHER	28-0023	2
32	ELECTRIC BOX ASSEMBLY	N/A	1

ELECTRICAL BOX FOR HHS-1003-2E1G & 2004/3004/3005-2E2G/A & 2E8G

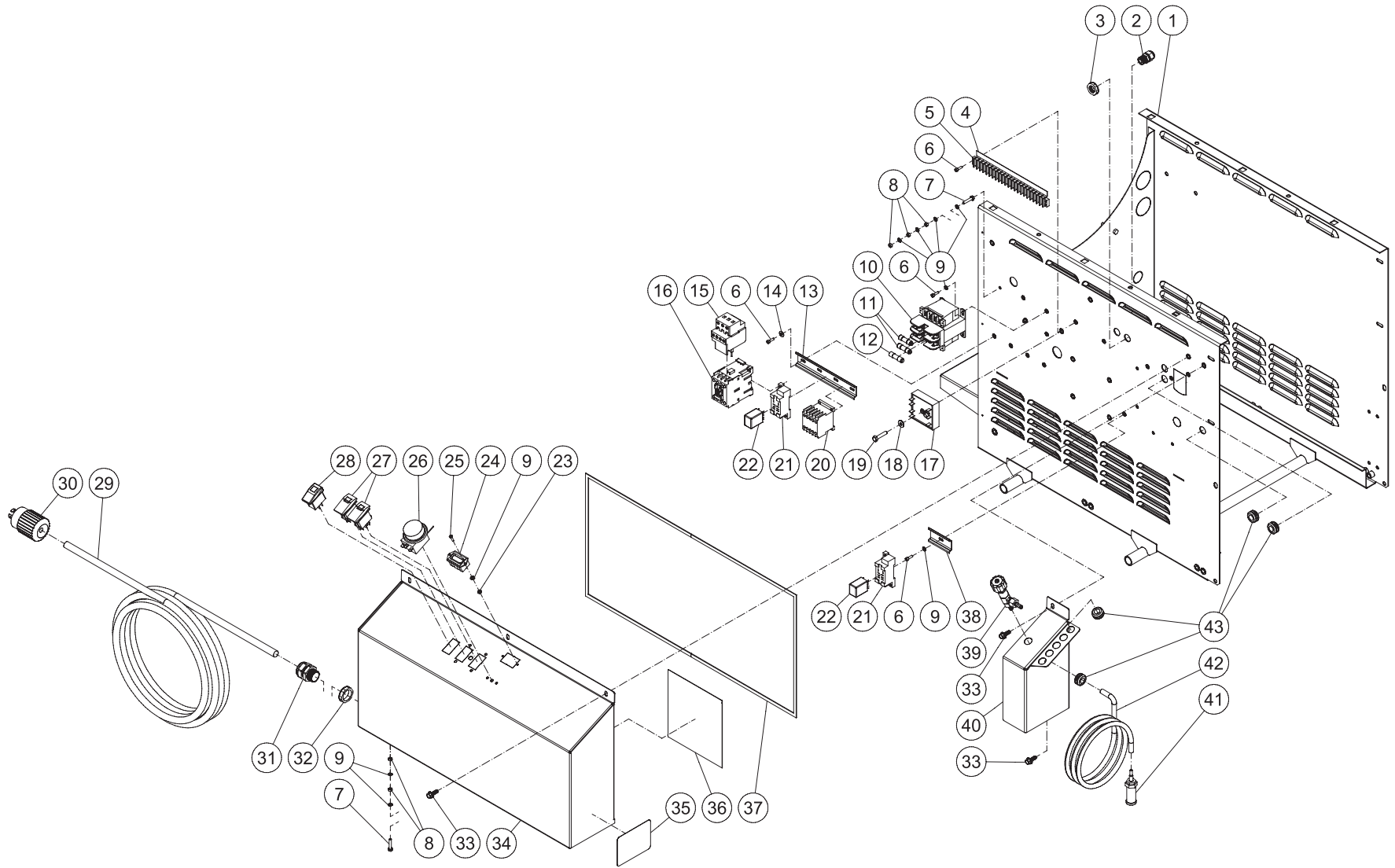


E-BOX HHS 1G_2A_2G_8G 032715 RJA

ELECTRIC BOX ASSEMBLY

ITEM	TITLE	PART #	QTY	ITEM	TITLE	PART #	QTY
1	CHASSIS	5-0337A18	1	29	CORD *(THIRTY SEVEN FEET REQUIRED) (2004-2E8G, 3004-2E2G/A)	32-0021	1
2	STRAIN RELIEF	32-0586	2	-	CORD *(THIRTY SEVEN FEET REQUIRED) (3004-2E8G, 3005)	32-0504	1
3	ELECTRICAL LOCKNUT	32-0587	2	-	CORD (2004-2E2G/A)	32-0334	1
4	DECAL - TERMINAL STRIP (SEE 71-0122)	N/A	1	-	CORD (1003)	32-0215	1
5	TERMINAL STRIP	32-0463	1	30	PLUG (2004-2E8G, 3004, 3005)	32-0012	1
6	SCREW	27-8835	7	31	STRAIN RELIEF (1003, 2004, 3004-2E2G/A)	9-0046	1
7	BOLT	27-8807	2	-	BUSHING (3004-2E8G, 3005)	9-0048	1
8	NUT	30-6001	5	32	ELECTRICAL LOCKNUT (1003, 2004, 3004-2E2G/A)	32-0292	1
9	STAR WASHER	28-1009	11	-	ELECTRICAL LOCKNUT (3004-2E8G, 3005)	32-0515	1
10	TRANSFORMER (2A, 2G, 8G MODELS)	32-0313	1	33	BOLT	27-1200	5
-	TRANSFORMER (1G MODELS)	32-0324	1	34	ELECTRIC BOX	20-1343A18	1
11	FUSE	32-0467	2	35	DECAL - DATA PLATE	34-1138	1
12	FUSE	32-1084	1	36	PLASTIC ZIPLOCK BAG	41-0184	1
13	DIN RAIL *(ONE FOOT REQUIRED)	32-0316	1	37	GASKET	26-0240	1
14	WASHER (3005)	28-0001	4	38	CHEM INJ BOX	20-1344A18	1
-	WASHER (1003/2004/3004)	28-0001	2	39	DETERGENT VALVE	22-0226	1
15	OVERLOAD (3005)	32-0490	1	40	DIN RAIL *(ONE FOOT REQUIRED)	32-0316	1
-	OVERLOAD (3004)	32-0485	1	41	STRAINER	19-0056	1
-	OVERLOAD (2004)	32-1073	1	42	CHEMICAL HOSE *(SIX FEET REQUIRED)	15-0021	1
-	OVERLOAD (1003)	32-0482	1	43	GROMMET	33-0001	8
16	CONTACTOR (3005)	32-0598	1	44	BOLT (3005)	27-0759	1
-	CONTACTOR (2004, 3004)	32-0328	1	-	BOLT (3004)	27-0024	2
-	CONTACTOR (1003)	32-0329	1	-	BOLT (2004)	27-0024	1
17	TIMER SWITCH	32-1172	1	45	CAPACITOR CLAMP (3005)	N/A	2
18	WASHER	28-0002	1	-	CAPACITOR CLAMP (2004)	N/A	1
19	BOLT	27-0017	1	-	CAPACITOR CLAMP (3004)	20-0538A01	1
20	CONTACTOR	32-1153	1	46	CAPACITOR (3005)	32-0748	2
21	SOCKET - RELAY 8 PIN	32-0321	2	-	CAPACITOR (2004 & 3004)	32-0519	1
22	RELAY - 24V	32-0320	2	47	CAPACITOR (3004 & 3005)	32-0747	2
23	NUT	30-0052	2	-	CAPACITOR (2004)	32-0686	1
24	HOUR METER	32-0668	1	48	NUT (3005)	30-0154	1
25	SCREW	27-8881	2	-	NUT (3004)	30-0155	2
26	ADJUSTABLE THERMOSTAT	32-0962	1	-	NUT (2004)	30-0155	1
27	SWITCH	32-0801	2				
28	ROCKER SWITCH	32-0731	1				
*MUST ORDER IN ONE FOOT LENGTHS							

ELECTRICAL BOX FOR HHS-2004/3004/3005-2E3G & 2E9G

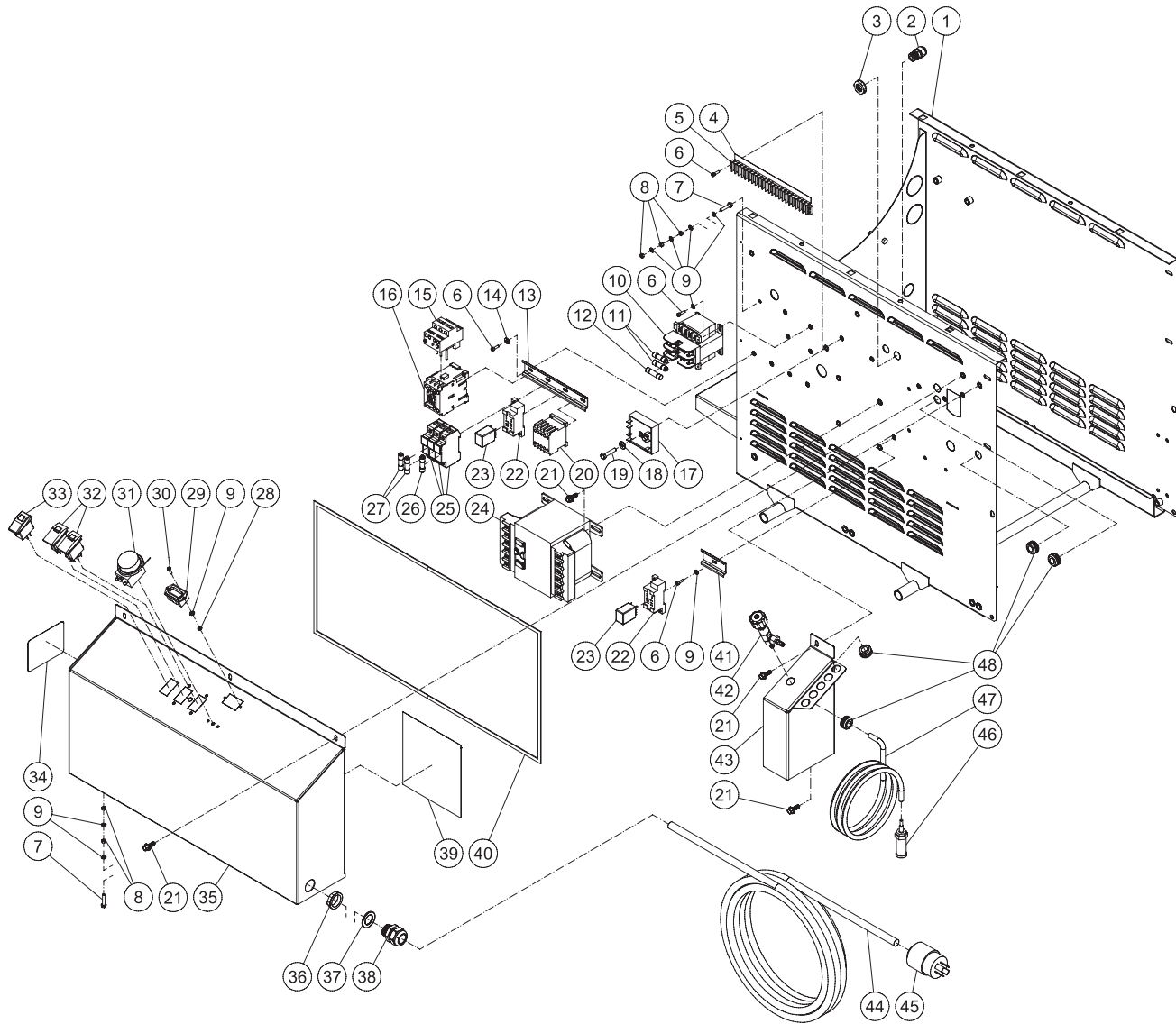


E-BOX HHS 3G_9G 032715 RJA

ELECTRIC BOX ASSEMBLY

ITEM	TITLE	PART #	QTY	ITEM	TITLE	PART #	QTY
1	CHASSIS	5-0337A18	1	23	NUT	30-0052	2
2	STRAIN RELIEF	32-0586	2	24	HOUR METER	32-0668	1
3	ELECTRICAL LOCKNUT	32-0587	2	25	SCREW	27-8881	2
4	DECAL - TERMINAL STRIP (SEE 71-0122)	N/A	1	26	ADJUSTABLE THERMOSTAT	32-0962	1
5	TERMINAL STRIP	32-0463	1	27	SWITCH	32-0801	2
6	SCREW	27-8835	7	28	ROCKER SWITCH	32-0731	1
7	BOLT	27-8807	2	29	CORD *(THIRTY SEVEN FEET REQUIRED) (2004, 3004-2E3G)	32-0023	1
8	NUT	30-6001	5	-	CORD *(THIRTY SEVEN FEET REQUIRED) (3004-2E9G, 3005)	32-0123	1
9	STAR WASHER	28-1009	11	30	PLUG (2004-2E3G)	32-0118	1
10	TRANSFORMER	32-0313	1	-	PLUG (2004-2E9G, 3004, 3005-2E3G)	32-0037	1
11	FUSE	32-0467	2	-	PLUG (3005-2E9G)	32-0647	1
12	FUSE	32-1084	1	31	CORD STRAIN RELIEF (2004, 3004-2E3G)	9-0046	1
13	DIN RAIL *(ONE FOOT REQUIRED)	32-0316	1	-	BUSHING (3004-2E9G, 3005)	9-0048	1
14	WASHER	28-0001	2	32	ELECTRICAL LOCKNUT (2004, 3004-2E3G)	32-0292	1
15	OVERLOAD (2004-2E3G)	32-1075	1	-	ELECTRICAL LOCKNUT (3004-2E9G, 3005)	32-0515	1
-	OVERLOAD (2004-2E9G)	32-1159	1	33	BOLT	27-1200	5
-	OVERLOAD (3004, 3005-2E3G)	32-1076	1	34	ELECTRIC BOX	20-1343A18	1
-	OVERLOAD (3005-2E9G)	32-0485	1	35	DECAL - DATA PLATE	34-1138	1
16	CONTACTOR	32-0329	1	36	PLASTIC ZIPLOCK BAG	41-0184	1
-	CONTACTOR (3004, 3005-2E3G)	32-0597	1	37	GASKET	26-0240	1
-	CONTACTOR (3005-2E9G)	32-0328	1	38	DIN RAIL *(ONE FOOT REQUIRED)	32-0316	1
17	TIMER SWITCH	32-1172	1	39	DETERGENT VALVE	22-0226	1
18	WASHER	28-0002	1	40	CHEM INJ BOX	20-1344A18	1
19	BOLT	27-0017	1	41	STRAINER	19-0056	1
20	CONTACTOR	32-1153	1	42	CHEMICAL HOSE *(SIX FEET REQUIRED)	15-0021	1
21	SOCKET - RELAY 8 PIN	32-0321	2	43	GROMMET	33-0001	8
22	RELAY - 24V	32-0320	2	*MUST ORDER IN ONE FOOT LENGTHS			

ELECTRICAL BOX FOR HHS-2004/3004/3005-2E4G & 2E5G

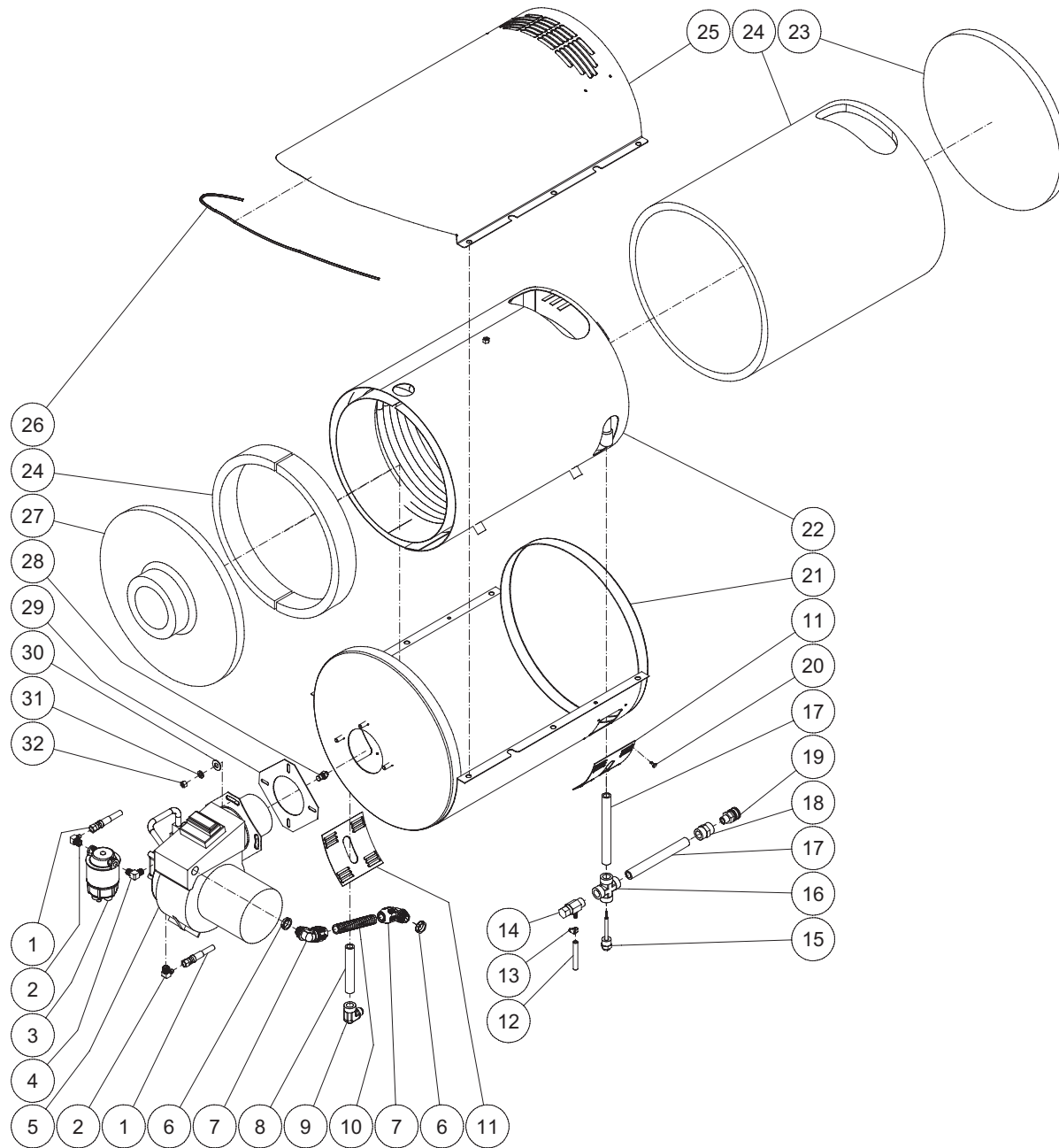


E-BOX HHS 4G_5G 080216 RJA

ELECTRIC BOX ASSEMBLY

ITEM	DESCRIPTION	PART #	QTY	ITEM	DESCRIPTION	PART #	QTY
1	CHASSIS	5-0337A18	1	25	FUSE HOLDER	32-0473	3
2	STRAIN RELIEF	32-0586	2	26	FUSE	32-1027	1
3	ELECTRICAL LOCKNUT	32-0587	2	27	FUSE	32-1084	2
4	DECAL - TERMINAL STRIP (SEE 71-0122)	N/A	1	28	NUT	30-0052	2
5	TERMINAL STRIP	32-0463	1	29	HOUR METER	32-0668	1
6	SCREW	27-8835	7	30	SCREW	27-8881	2
7	BOLT	27-8807	2	31	ADJUSTABLE THERMOSTAT	32-0962	1
8	NUT	30-6001	5	32	SWITCH	32-0801	2
9	STAR WASHER	28-1009	11	33	ROCKER SWITCH	32-0731	1
10	TRANSFORMER (4G MODELS)	32-0313	1	34	CORD *(THIRTY SEVEN FEET REQUIRED)	32-0023	1
-	TRANSFORMER (5G MODELS)	32-0914	1	35	PLUG (4G MODELS)	32-0117	1
11	FUSE	32-0467	2	-	PLUG (5G MODELS)	32-0695	1
12	FUSE (4G MODELS)	32-1055	1	36	CORD RELIEF	9-0046	1
-	FUSE (5G MODELS)	32-0472	1	37	WASHER	28-0051	1
13	DIN RAIL *(ONE FOOT REQUIRED)	32-0316	1	38	ELECTRICAL LOCKNUT	32-0292	1
14	WASHER	28-0001	2	39	ELECTRIC BOX	20-1343A18	1
15	OVERLOAD RELAY (3004-2E4G, 3005)	32-0482	1	40	DECAL - DATA PLATE	34-1138	1
-	OVERLOAD RELAY (2004, 3004-2E5G)	32-0481	1	41	PLASTIC ZIPLOCK BAG	41-0184	1
16	CONTACTOR	32-0329	1	42	GASKET	26-0240	1
17	TIMER SWITCH	32-1172	1	43	DIN RAIL *(ONE FOOT REQUIRED)	32-0316	1
18	WASHER	28-0002	1	44	DETERGENT VALVE	22-0226	1
19	BOLT	27-0017	1	45	CHEM INJ BOX	20-1344A18	1
20	CONTACTOR	32-1153	1	46	STRAINER	19-0056	1
21	BOLT	27-1200	9	47	CHEMICAL HOSE *(SIX FEET REQUIRED)	15-0021	1
22	SOCKET - RELAY 8 PIN	32-0321	2	48	GROMMET	33-0001	8
23	RELAY - 24V	32-0320	2	*MUST ORDER IN ONE FOOT LENGTHS			
24	TRANSFORMER (4G MODELS)	32-0678	1				
-	TRANSFORMER (5G MODELS)	32-0677	1				

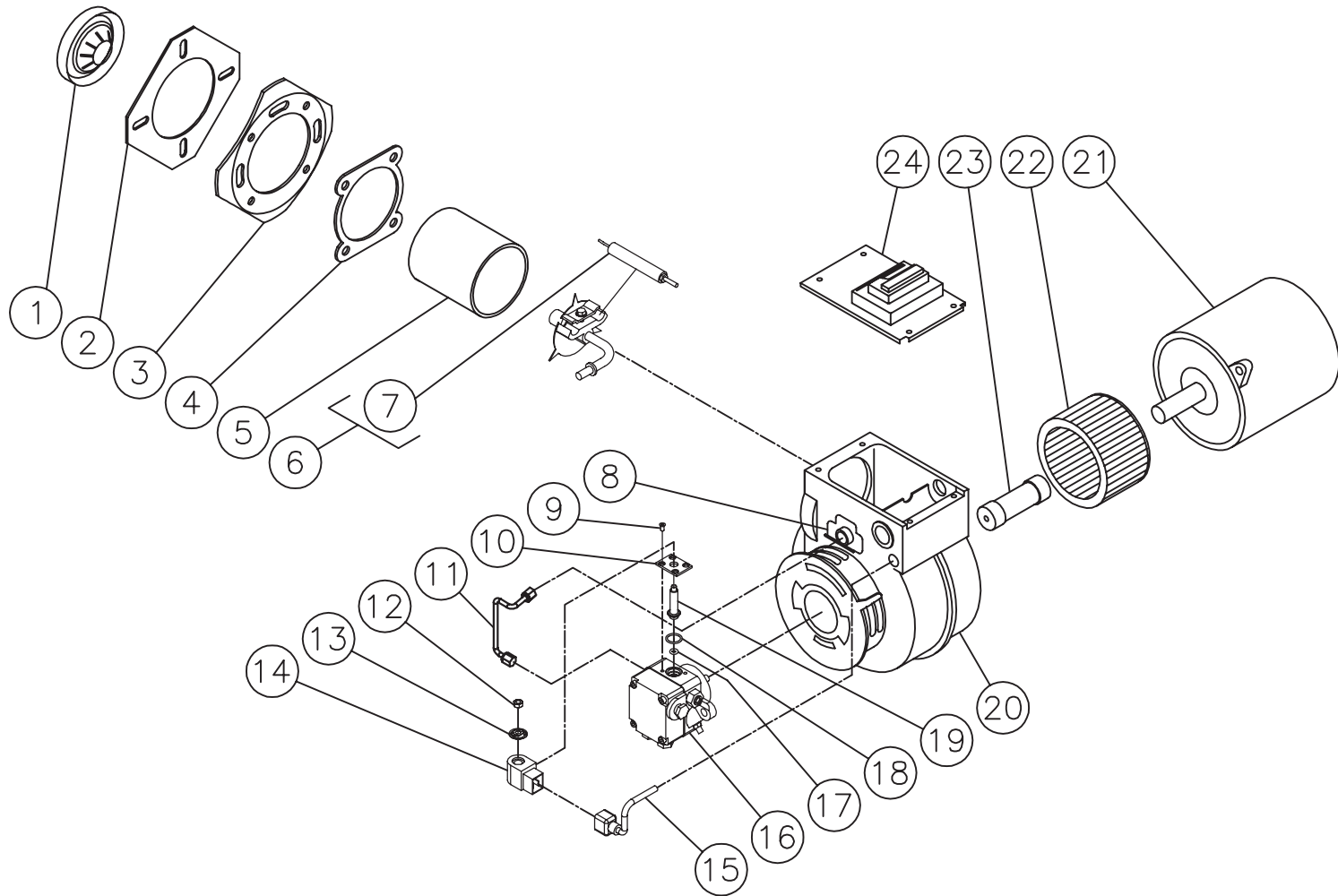
HEAT EXCHANGER ASSEMBLY



HEAT EXCHANGER ASSY HHS 072517 JRC

HEAT EXCHANGER ASSY HHS 072517 JRC			
HEAT EXCHANGER			
ITEM	TITLE	PART #	QTY
1	FUEL HOSE	15-0147	2
2	ELBOW	23-0237	2
3	FUEL FILTER / WATER SEPERATOR	19-0070	1
4	ELBOW	23-0130	1
5	BURNER (2G/A, 3G, 8G, 9G)	4-0034	1
-	BURNER (4G, 5G)	4-0033	1
-	BURNER (1G)	4-0032	1
6	ELECTRICAL LOCKNUT	32-0108	2
7	CONDUIT ELBOW	32-0254	2
8	PIPE NIPPLE	24-0245	1
9	ELBOW	24-0240	1
10	CONDUIT FLEX *(TWO FEET REQUIRED)	32-0253	1
11	PATCH PLATE	20-0537A18	2
12	FUEL HOSE *(TWO FEET REQUIRED)	15-0008	1
13	CLAMP WORM	42-0004	1
14	VALVE (1003, 2004)	22-0308	1
-	VALVE (3004, 3005)	22-0309	1
15	ADJUSTABLE THERMOSTAT	32-0962	1
16	CROSS	24-0241	1
17	PIPE NIPPLE	24-0255	2
18	ADAPTER	24-0243	1
19	QUICK CONNECT SOCKET	17-0007	1
20	BOLT	27-3062	8
21	BOTTOM WRAP	20-0527A18	1
22	COIL	66-0014	1
23	INSULATION DISC	33-0346	1
24	INSULATION BLANKET	850-0279	1
25	TOP WRAP	21-0129	1
26	EDGING *(THREE FEET REQUIRED)	33-0020	1
27	INSULATION DRUM HEAD	33-0345	1
28	FUEL NOZZLE (2004)	18-0090	1
-	FUEL NOZZLE (3004)	18-0091	1
-	FUEL NOZZLE (3005)	18-0093	1
-	FUEL NOZZLE (1003)	18-0356	1
29	GASKET	44-0108	1
30	WASHER	28-0023	3
31	LOCKWASHER	29-0008	3
32	NUT	30-0006	3
*MUST ORDER IN ONE FOOT LENGTHS			

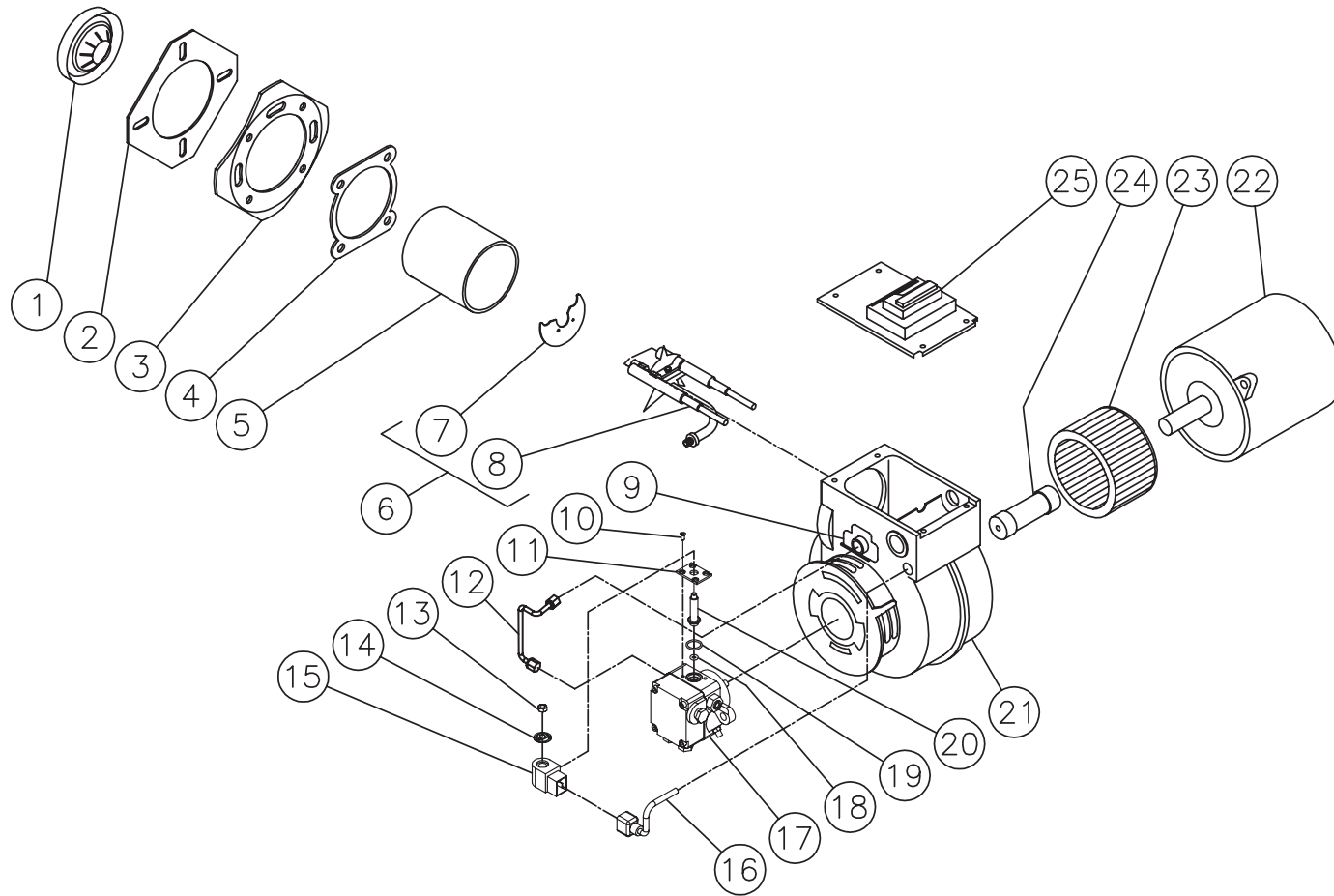
BURNER ASSEMBLY (4-0033 AND 4-0034)



BURNER ASSEMBLY

REF.	DESCRIPTION	PART #	QTY.	REF.	DESCRIPTION	PART #	QTY.
1	Burner Head	44-0011	1	14	Fuel Solenoid	44-0165	1
2	Mounting Gasket	44-0108	1	15	Cord Set	44-0122	1
3	Flange	44-0109	1	16	Fuel Pump	3-0434	1
4	Gasket	26-0138	1	17	O-Ring	N/A	1
5	Air Tube	44-0110	1	18	O-Ring	N/A	1
6	Nozzle Line Assembly	44-0113	1	19	Solenoid Piston	46-1343	1
7	Electrode Kit	44-0114	1	20	Burner Housing	44-0033	1
8	Escutcheon Plate	44-0031	1	21	Motor (4-0033)	2-0068	1
9	Screw	N/A	1	-	Motor (4-0034)	2-0192	1
10	Base Plate	46-1004	1	22	Blower Wheel	44-0071	1
11	Fuel Line	44-0026	1	23	Coupler	44-0014	1
12	Piston Nut	46-1016	1	24	Ignition Transformer (4-0033)	44-0017	1
13	Spring Washer	N/A	1	-	Ignition Transformer (4-0034)	44-0015	1

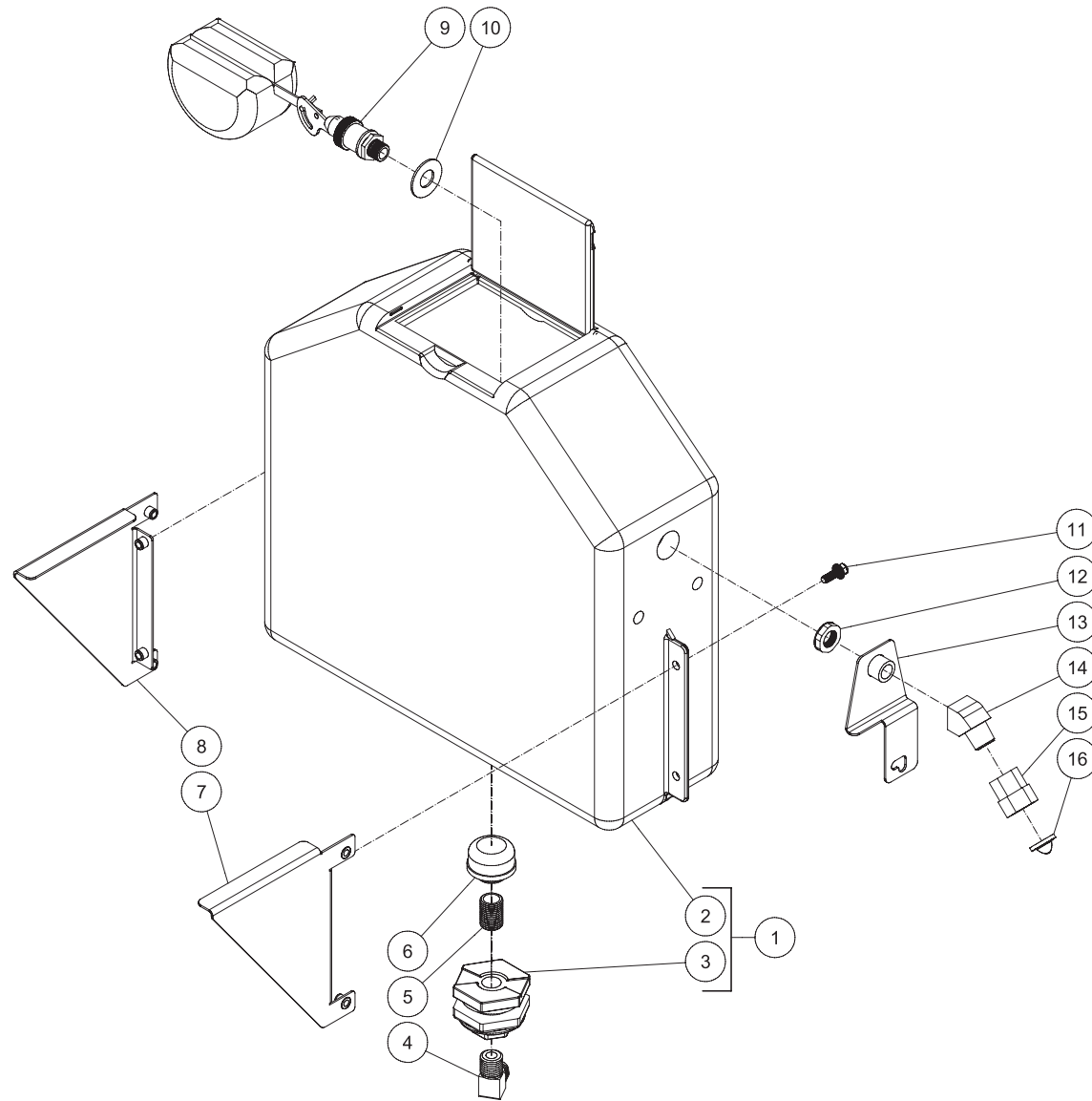
BURNER ASSEMBLY (4-0032)



BURNER ASSEMBLY

REF.	DESCRIPTION	PART #	QTY.	REF.	DESCRIPTION	PART #	QTY.
1	Burner Head	44-0163	1	14	Spring Washer	N/A	1
2	Mounting Gasket	44-0108	1	15	Fuel Solenoid	44-0165	1
3	Flange	44-0109	1	16	Cord Set	44-0122	1
4	Gasket	26-0138	1	17	Fuel Pump	3-0434	1
5	Air Tube	44-0110	1	18	O-Ring	N/A	1
6	Nozzle Line Assembly	44-0113	1	19	O-Ring	N/A	1
7	Static Plate	44-0027	1	20	Solenoid Piston	46-1343	1
8	Electrode Kit	44-0114	1	21	Burner Housing	44-0033	1
9	Escutcheon Plate	44-0031	1	22	Motor	2-0068	1
10	Screw	N/A	1	23	Blower Wheel	44-0071	1
11	Base Plate	46-1004	1	24	Coupler	44-0014	1
12	Fuel Line	44-0026	1	25	Ignition Transformer	44-0017	1
13	Piston Nut	46-1016	1				

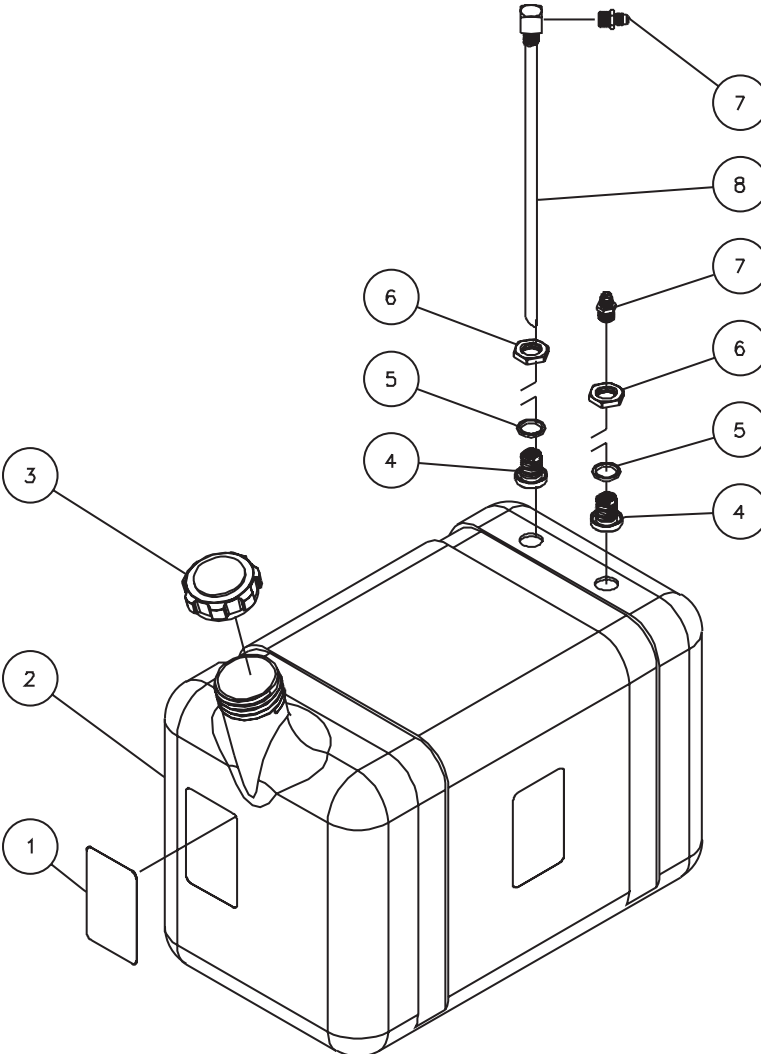
FLOAT TANK ASSEMBLY



FLOAT TANK ASSY HHS 022314 RJA

FLOAT TANK ASSY HHS 022314 RJA			
FLOAT TANK ASSEMBLY			
ITEM	TITLE	PART #	QTY
1	FLOAT TANK ASSY (INC 2-3)	850-0321	1
2	FLOAT TANK	N/A	1
3	BULKHEAD (INC. 25-0506 GASKET)	55-0886	1
4	ELBOW	23-0389	1
5	NIPPLE (2004/3005)	23-0019	1
-	NIPPLE (3004)	23-0392	1
-	NIPPLE (1003)	23-0403	1
6	STRAINER	19-0203	1
7	BRACKET HANDLE RIGHT	20-1362A18	1
8	BRACKET HANDLE LEFT	20-1363A18	1
9	FLOAT VALVE	850-0238	1
10	WASHER	28-0050	1
11	BOLT	27-1200	4
12	NUT	23-0138	1
13	WATER INLET BRACKET	20-1364A18	1
14	ELBOW	23-0344	1
15	SWIVEL	23-0001	1
16	FILTER	19-0001	1

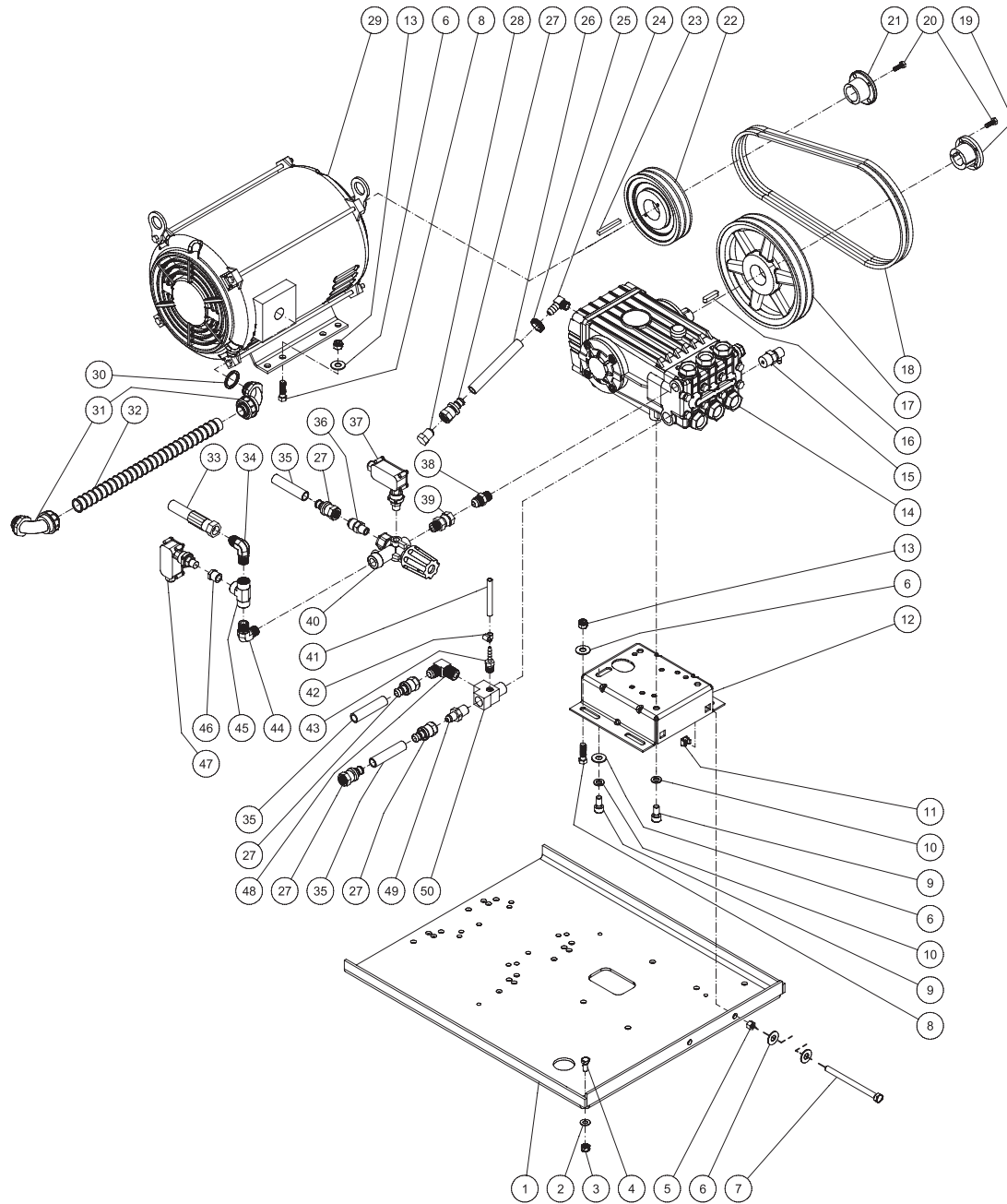
FUEL TANK ASSEMBLY (850-0303)



850-0303-032101-BAR

850-0303-34-9037-032101-BAR			
FUEL TANK ASSEMBLY (850-0303)			
REF. #	DESCRIPTION	PART #	QTY.
1	Decal- Caution: Risk of Fire (E/S)	N/A Sep.	1
2	Fuel Tank	12-0126	1
3	Vented Fuel Cap	12-0033	1
4	Bulkhead Fitting	23-0408	2
5	O-ring	25-0427	2
6	Nut	23-0409	2
7	Flare Fitting	23-0247	2
8	Fuel Pick-up	33-0352	1

MOTOR/PUMP ASSEMBLY FOR HHS-1003-2E1G AND HHS-2004/3004/3005G/A

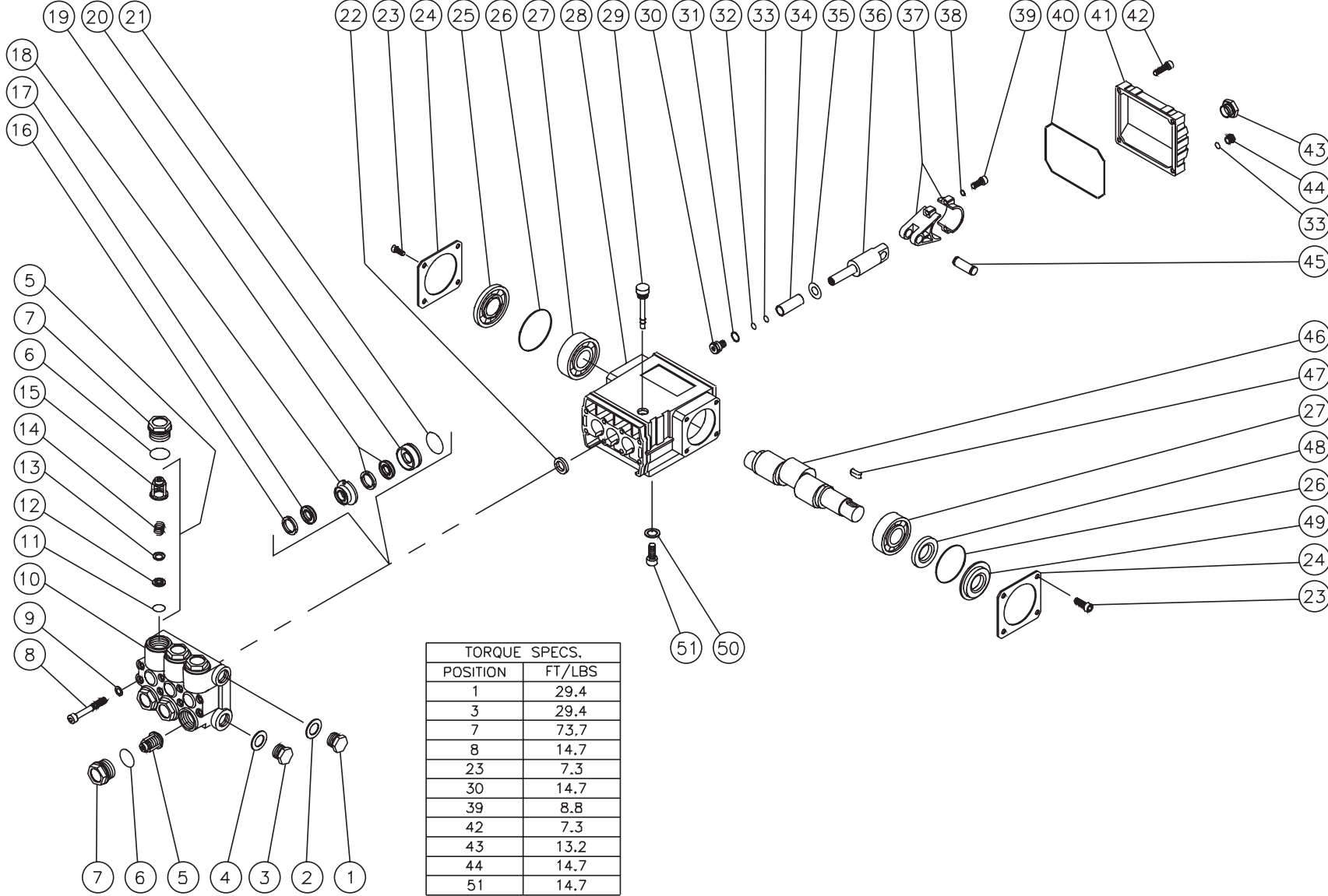


MOTOR PUMP PLATE ASSY HHS 022114 RJA

MOTOR/PUMP ASSY HHS 022114 RJA							
MOTOR/PUMP ASSEMBLY							
ITEM	TITLE	PART #	QTY	ITEM	TITLE	PART #	QTY
1	MOTOR PUMP BASEPLATE	5-0152A18	1	26	HOSE *(ONE FOOT REQUIRED)	15-0007	1
2	WASHER	28-0003	1	27	HOSE BARB	23-0360	5
3	LOCKNUT	30-0157	1	28	PLUG	23-0411	1
4	BOLT	27-0066	1	29	MOTOR (HHS-1003-2E1G) 2HP	2-0120	1
5	NUT	30-0006	2	-	MOTOR (HHS-2004-2E2G_A) 6HP	2-0107	1
6	WASHER	28-0023	13	-	MOTOR (HHS-3004-2E2G_A) 8HP	2-0109	1
7	BOLT	27-0133	2	-	MOTOR (HHS-3005-2E2G) 10HP	2-0132	1
8	BOLT	27-0118	8	-	MOTOR (HHS-2004-2E3G_2E4G) 6HP	2-0108	1
9	BOLT (G)	27-8471	4	-	MOTOR (HHS-3004-2E3G_2E4G) 8HP	2-0110	1
-	BOLT (A)	27-8884	4	-	MOTOR (HHS-3005-2E3G_2E4G) 10HP	2-0112	1
10	LOCKWASHER (G)	29-0055	4	-	MOTOR (HHS-3004-2E5G) 8HP	2-0111	1
-	LOCKWASHER (A)	29-0054	4	-	MOTOR (HHS-3005-2E5G) 10HP	2-0113	1
11	CLIP NUT	30-6025	2	-	MOTOR (HHS-2004-2E8G) 6HP	2-0124	1
12	PUMP HAT (G)	5-0153A18	1	-	MOTOR (HHS-3004-2E8G) 8HP	2-0125	1
-	PUMP HAT (A)	5-0154A18	1	-	MOTOR (HHS-3005-2E8G) 10HP	2-0130	1
13	LOCKNUT	30-0159	8	-	MOTOR (HHS-2004-2E9G) 6HP	2-0127	1
14	PUMP (G)	3-0202	1	-	MOTOR (HHS-3004-2E9G) 8HP	2-0129	1
-	PUMP (A)	3-0211	1	-	MOTOR (HHS-3005-2E9G) 10HP	2-0131	1
-	PUMP 1003 (G)	3-0005	1	30	GASKET	26-0314	1
15	HEAT DUMP VALVE	22-0414	1	31	CONDUIT ELBOW	32-0487	2
16	KEY	43-0048	1	32	CONDUIT FLEX *(TWO FEET REQUIRED)	32-0486	1
17	PUMP SHEAVE (2004, 3004, 3005)	10-0007	1	33	HIGH PRESSURE HOSE ASSEMBLY	15-0221	1
-	PUMP SHEAVE (1003)	10-0066	1	34	ELBOW	24-0092	1
18	BELT (2004)	11-0008	2	35	HOSE *(THREE FEET REQUIRED)	15-0200	3
-	BELT (3004)	11-0057	2	36	NIPPLE	23-0370	1
-	BELT (3005)	11-0030	2	37	PRESSURE SWITCH	22-0171	1
-	BELT (1003)	11-0023	2	38	NIPPLE	24-0002	1
19	PUMP BUSHING	9-0017	1	39	SWIVEL	24-0037	1
20	BOLT	27-0015	4	40	UNLOADER	850-0252	1
21	MOTOR BUSHING (2004)	9-0010	1	41	HOSE *(THREE FEET REQUIRED)	15-0021	1
-	MOTOR BUSHING (3004, 3005)	9-0008	1	42	CLAMP WORM	42-0004	1
22	MOTOR SHEAVE (2004)	10-0036	1	43	BARB	23-0051	1
-	MOTOR SHEAVE (3004)	10-0041	1	44	ELBOW	24-0131	1
-	MOTOR SHEAVE (1003)	10-0111	1	45	TEE	24-0026	1
-	MOTOR SHEAVE (3005)	10-0104	1	46	BUSHING	24-0181	1
23	KEY	43-0078	1	47	PRESSURE SWITCH	22-0243	1
24	ELBOW (G)	23-0119	1	48	ELBOW	23-0389	1
-	ELBOW (A)	23-0050	1	49	NIPPLE	23-0361	1
25	HOSE CLAMP	42-0011	1	50	STREET TEE	23-0388	1

*MUST ORDER IN ONE FOOT LENGTHS

PUMP ASSEMBLY (3-0005)



TORQUE SPECS.	
POSITION	FT/LBS
1	29.4
3	29.4
7	73.7
8	14.7
23	7.3
30	14.7
39	8.8
42	7.3
43	13.2
44	14.7
51	14.7

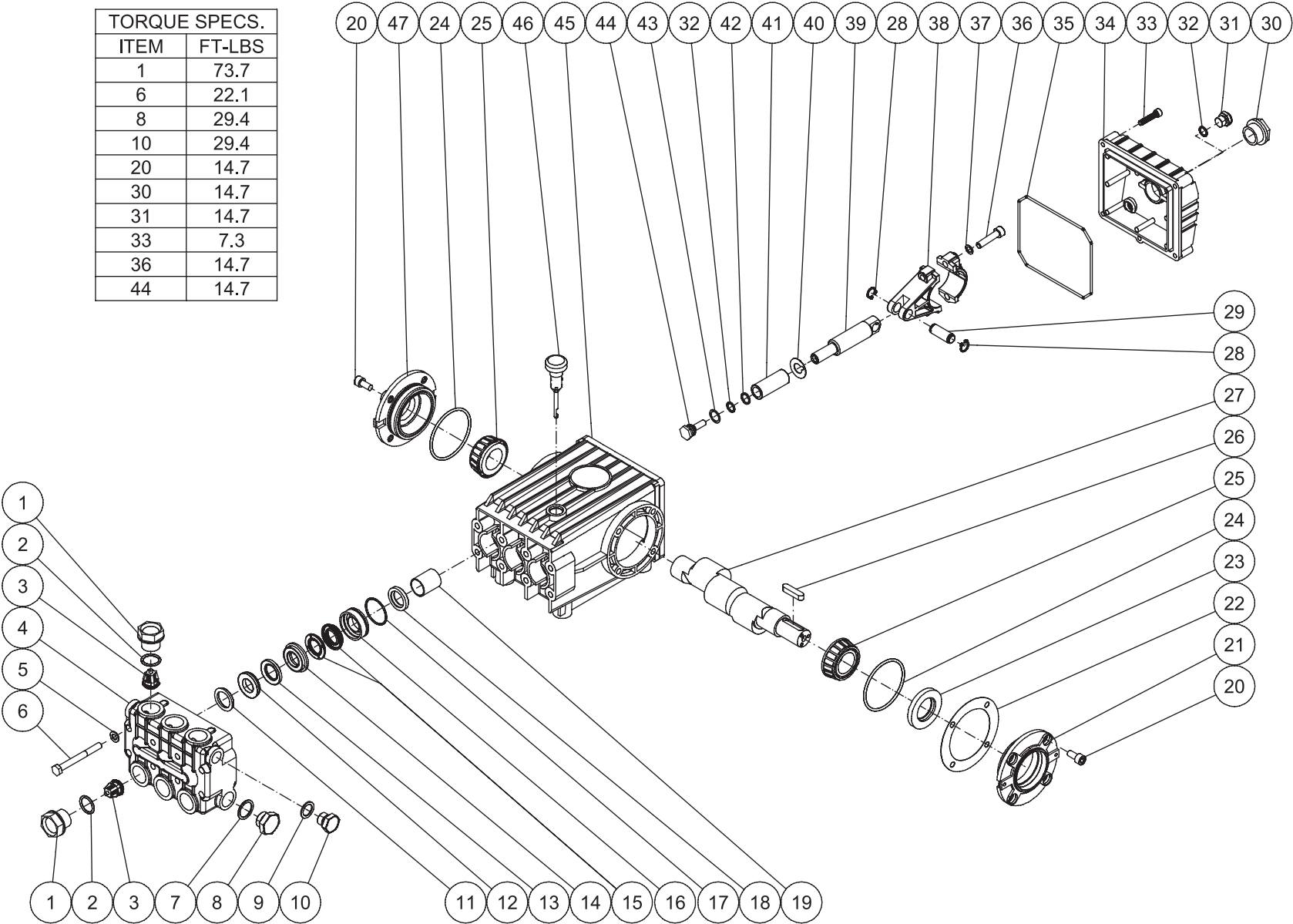
3-0005-062800-RD

PUMP ASSEMBLY							
REF #	DESCRIPTION	PART #	QTY	REF #	DESCRIPTION	PART #	QTY
1	HEX PLUG	39-0018	1	28	CRANKCASE	46-0225	1
2	WASHER	28-0600	1	29	OIL DIPSTICK	46-0143	1
3	HEX PLUG	39-0019	1	30	PISTON SCREW	46-0069	3
4	WASHER	28-0601	1	31	WASHER	28-0400	3
5	VALVE ASSEMBLY (INC. 11-15) (SEE 70-0009)	SEE KIT	6	32	O-RING	25-0014	4
6	O-RING	25-0012	6	33	BACK-UP RING	46-0109	3
7	VALVE PLUG	39-0020	6	34	PLUNGER-CERAMIC	46-0078	3
8	BOLT	27-8439	8	35	FLINGER WASHER	46-0146	3
9	LOCKWASHER	29-0154	8	36	PISTON ROD	46-0080	3
10	PUMP MANIFOLD	46-0083	1	37	CONNECTING ROD	46-0077	3
11	O-RING (SEE 70-0009)	SEE KIT	6	38	WASHER	28-0201	6
12	VALVE SEAT (SEE 70-0009)	SEE KIT	6	39	BOLT	27-8405	6
13	VALVE PLATE (SEE 70-0009)	SEE KIT	6	40	GASKET COVER - OLD STYLE	26-0081	1
14	VALVE SPRING (SEE 70-0009)	SEE KIT	6	-	O-RING COVER- NEW STYLE	25-0317	1
15	VALVE CAGE (SEE 70-0009)	SEE KIT	6	41	CRANKCASE COVER - OLD STYLE	46-0085	1
16	HEAD RING (SEE 70-0032 AND 852-0012)	SEE KIT	3	-	CRANKCASE COVER - NEW STYLE	46-0226	1
17	V-PACKING (SEE 70-0040 AND 852-0012)	SEE KIT	3	42	BOLT	27-8401	5
18	INTERMEDIATE RING	46-0089	3	43	OIL LEVEL INDICATOR	46-0114	1
19	LOW PRESSURE SEAL (SEE 70-0040 AND 852-0012)	SEE KIT	3	44	HEX PLUG	39-0017	1
20	LOW PRESSURE SEAL RETAINER	46-0081	3	45	CONNECTING ROD PIN	43-0031	3
21	O-RING	25-0048	3	46	CRANKSHAFT	46-0230	1
22	OIL SEAL	26-0046	3	47	KEY	43-0028	1
23	BOLT	27-8000	8	48	OIL SEAL	26-0048	1
24	RETAINER/OIL LEVEL/SPACER	46-0084	2	49	SPACER-BEARING	46-0087	1
25	SPACER	46-0088	1	50	LOCKWASHER	46-0605	4
26	O-RING	25-0060	2	51	BOLT	46-0606	4
27	BALL BEARING	48-0011	2				

REPLACEMENT KITS				
KIT #	DESCRIPTION	ITEMS	# OF ASSEMBLIES	# OF CYLINDERS
70-0009	VALVE KIT	11-15	6	3
70-0040	PACKING KIT	17, 19	3	3
852-0012	PACKING KIT	16, 17, 19, 21	3	3
70-0032	HEAD RING KIT	16	3	3

PUMP ASSEMBLY (3-0202)

TORQUE SPECS.	
ITEM	FT-LBS
1	73.7
6	22.1
8	29.4
10	29.4
20	14.7
30	14.7
31	14.7
33	7.3
36	14.7
44	14.7



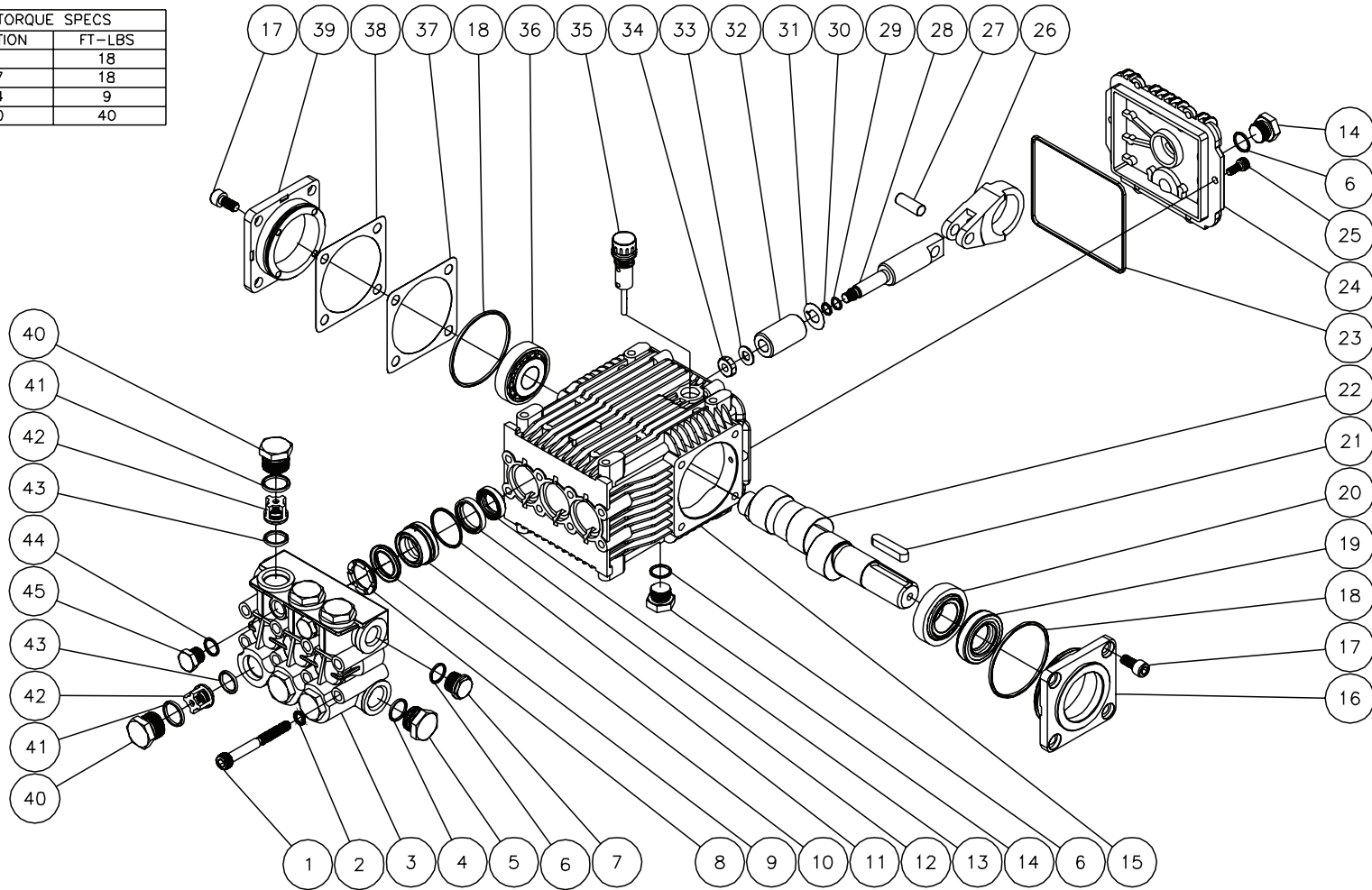
3-0202_3-0203 082713

PUMP ASSEMBLY								
ITEM	DESCRIPTION	PART #	QTY		ITEM	DESCRIPTION	PART #	QTY
1	VALVE CAP	46-0889	6		25	BEARING	48-0012	2
2	O-RING	25-0012	6		26	KEY	43-0048	1
3	VALVE (SEE KIT 70-0009)	SEE KIT	6		27	CRANKSHAFT	N/A	1
4	MANIFOLD	46-0890	1		28	RETAINING RING	46-0103	6
5	WASHER	28-1039	8		29	CONNECTING ROD PIN	43-0032	3
6	BOLT	27-8185	8		30	OIL LEVEL INDICATOR	46-0114	1
7	WASHER	28-1038	2		31	PLUG	39-0017	1
8	PLUG	39-0019	2		32	O-RING	25-0014	4
9	WASHER	28-1002	2		33	BOLT	27-8404	5
10	PLUG	39-0018	2		34	CRANKCASE OPEN COVER	46-0295	1
11	HEAD RING (SEE KIT 70-0030 AND 852-0122)	SEE KIT	3		35	O-RING	25-0339	1
12	V-PACKING SUPPORT (SEE KIT 70-0147 AND 852-0122)	SEE KIT	3		36	BOLT	27-8435	6
13	O-RING (SEE KIT 70-0147 AND 70-0148 AND 852-0122)	SEE KIT	3		37	LOCKWASHER	29-0154	6
14	HIGH PRESSURE INTERMEDIATE SEAL RETAINER (SEE KIT 70-0148)	SEE KIT	3		38	CONNECTING ROD	46-0051	3
15	PRESSURE SEAL (SEE KIT 70-0147 AND 852-0122)	SEE KIT	3		39	PISTON ROD	46-0056	3
16	LOW PRESSURE SEAL RETAINER	46-0057	3		40	SLINGER WASHER	46-0146	3
17	O-RING (SEE KIT 852-0122)	SEE KIT	3		41	PLUNGER	46-0052	3
18	OIL SEAL	26-0047	3		42	BACK-UP RING	46-0109	3
19	BUSHING	9-0029	3		43	WASHER	28-0400	3
20	BOLT	27-8431	8		44	NUT / PISTON	46-0069	3
21	CRANKCASE COVER	46-0296	1		45	CRANKCASE	46-0047	1
22	SHIM	46-0113	1		46	OIL DIP STICK	46-0144	1
23	OIL SEAL	26-0049	1		47	CRANKCASE COVER	46-0336	1
24	O-RING	25-0013	2					

REPLACEMENT KITS				
KIT#	DESCRIPTION	ITEMS	# OF ASSEMBLIES	# OF CYLINDERS
70-0009	VALVES	3	6	3
70-0030	HEAD RING	11	3	3
70-0147	V-PACKING	12, 13, 15	3	3
70-0148	INTERMEDIATE RETAINER	13, 14	3	3
852-0122	V-PACKING ASSY	11-13, 15, 17	3	3

PUMP ASSEMBLY (3-0211)

TORQUE SPECS	
POSITION	FT-LBS
1	18
17	18
34	9
40	40



3-02.11-080405-DLG

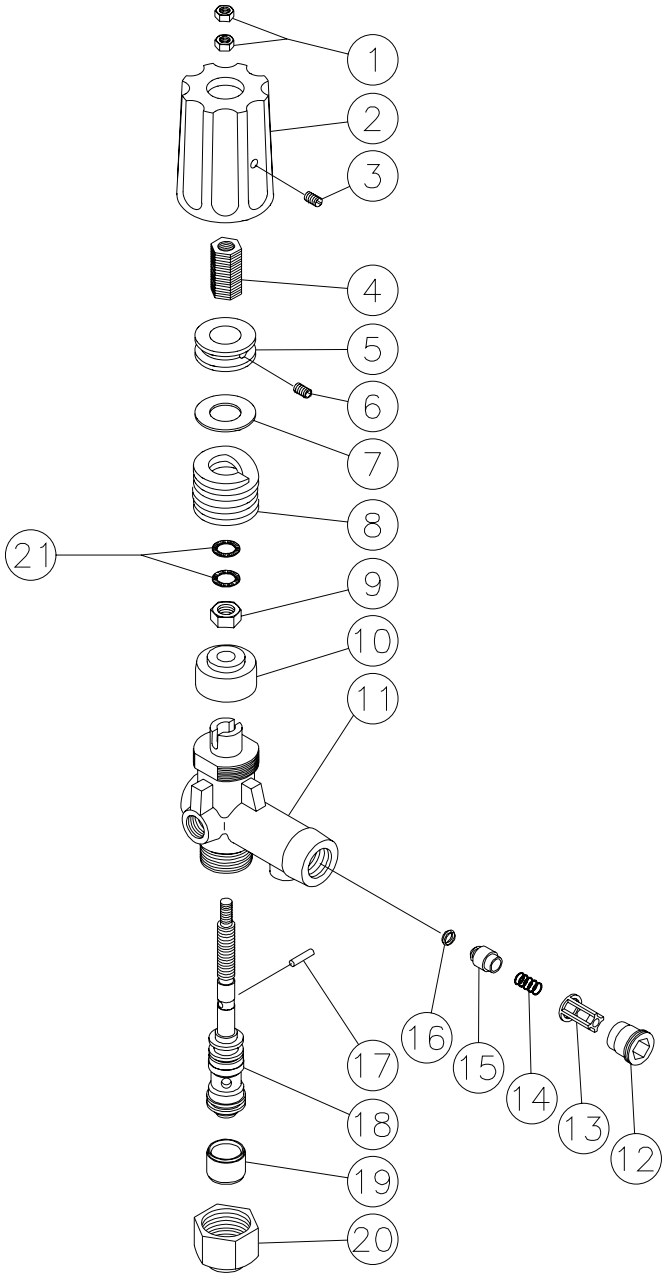
PUMP ASSEMBLY

REF. #	DESCRIPTION	PART #	QTY.	REF. #	DESCRIPTION	PART #	QTY.
1	SCREW	27-8440	8	24	CRANKCASE COVER	46-0719	1
2	LOCKWASHER	29-0154	8	25	SCREW	27-8401	6
3	PUMP HEAD	46-0927	1	26	CONNECTING ROD	46-0922	3
4	O-RING	25-0372	1	27	PISTON PIN	46-0698	3
5	PLUG	39-0103	1	28	PLUNGER ROD	46-0699	3
6	O-RING	25-0510	3	29	BACK-UP RING	25-0404	3
7	PLUG	39-0205	1	30	O-RING	25-0382	1
8	SUPPORT RING (SEE 70-0323)	SEE KIT	3	31	WASHER	46-0700	3
9	GASKET (SEE 70-0322)	SEE KIT	3	32	PISTON (SEE 70-0320)	SEE KIT	3
10	PISTON GUIDE	46-0929	3	33	SEAL	26-0191	3
11	O-RING (SEE 70-0322)	SEE KIT	3	34	NUT	30-6020	3
12	GASKET (SEE 70-0322)	SEE KIT	3	35	OIL DIPSTICK	39-0090	1
13	SEAL (SEE 70-0321)	SEE KIT	3	36	BEARING	48-0072	1
14	PLUG-OIL DRAIN	39-0206	2	37	PUMP SHIM (0.25MM)	46-0936	1
15	CRANKCASE	46-0811	1	38	PUMP SHIM (0.2MM)	46-0705	1
16	PUMP SHAFT COVER	46-0691	1	39	BEARING CAP/ SUPPORT	46-0703	1
17	SCREW	27-8884	8	40	VALVE CAP	39-0105	6
18	O-RING (SEE 70-0321)	SEE KIT	2	41	O-RING	25-0160	6
19	OIL SEAL (SEE 70-0321)	SEE KIT	1	42	COMPLETE VALVE (SEE 70-0319)	SEE KIT	6
20	BEARING	48-0061	1	43	O-RING	25-0386	6
21	KEY	43-0091	1	44	O-RING	25-0387	2
22	CRANKSHAFT	46-0933	1	45	PLUG	39-0207	2
23	O-RING (SEE 70-0321)	SEE KIT	1				

REPLACEMENT KITS

MI-T-M KIT #	DESCRIPTION	ITEMS	# OF ASSEMBLIES	# OF CYLINDERS
70-0319	VALVE KIT	42	6	3
70-0320	PISTON KIT	32	3	3
70-0321	OIL SEAL KIT	13, 18-19, 23	4	3
70-0322	WATER SEALS KIT	9, 11, 12	3	3
70-0323	SUPPORT RING KIT	8	3	3

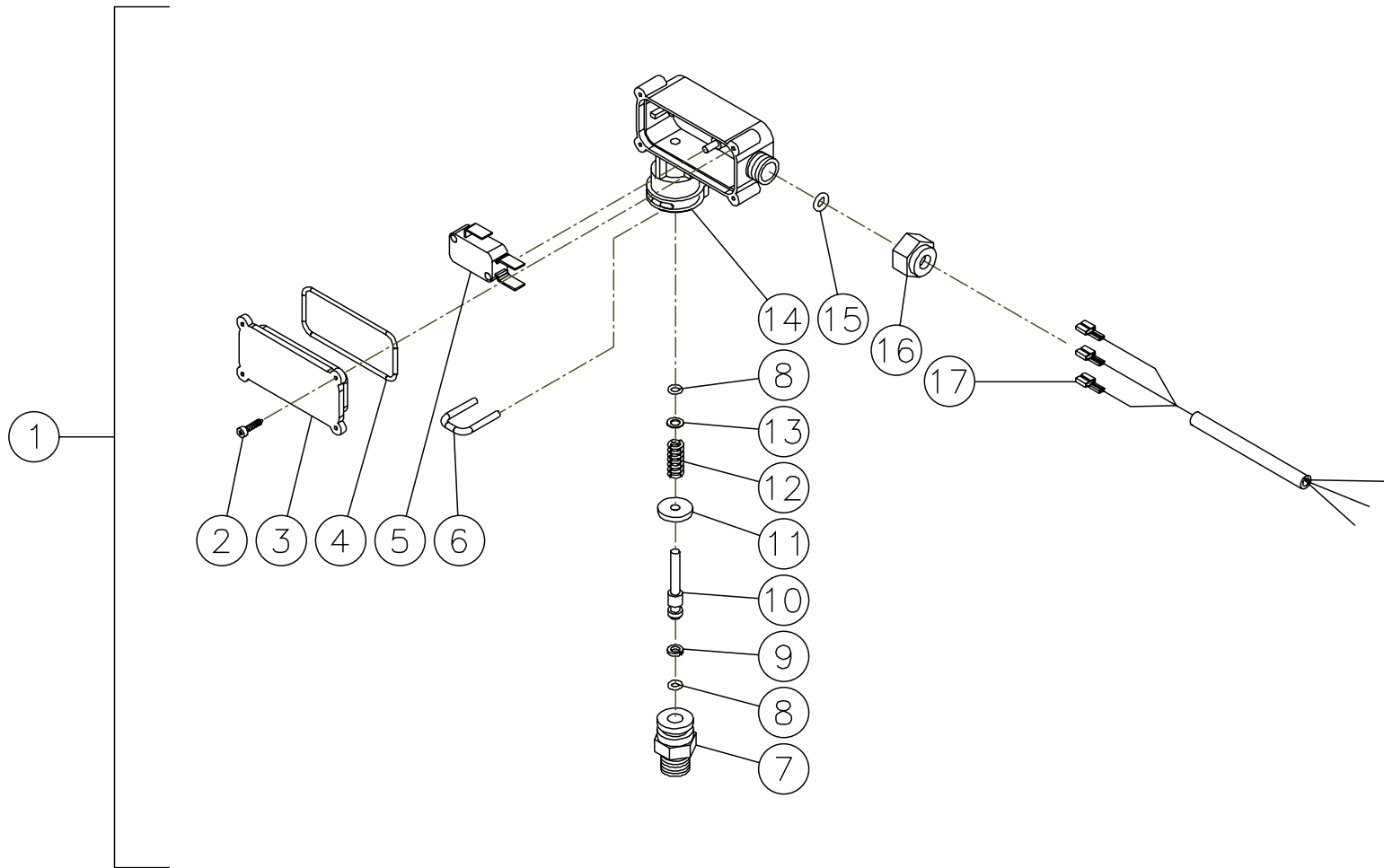
UNLOADER (850-0252)



OMGENI63-101298-BAR

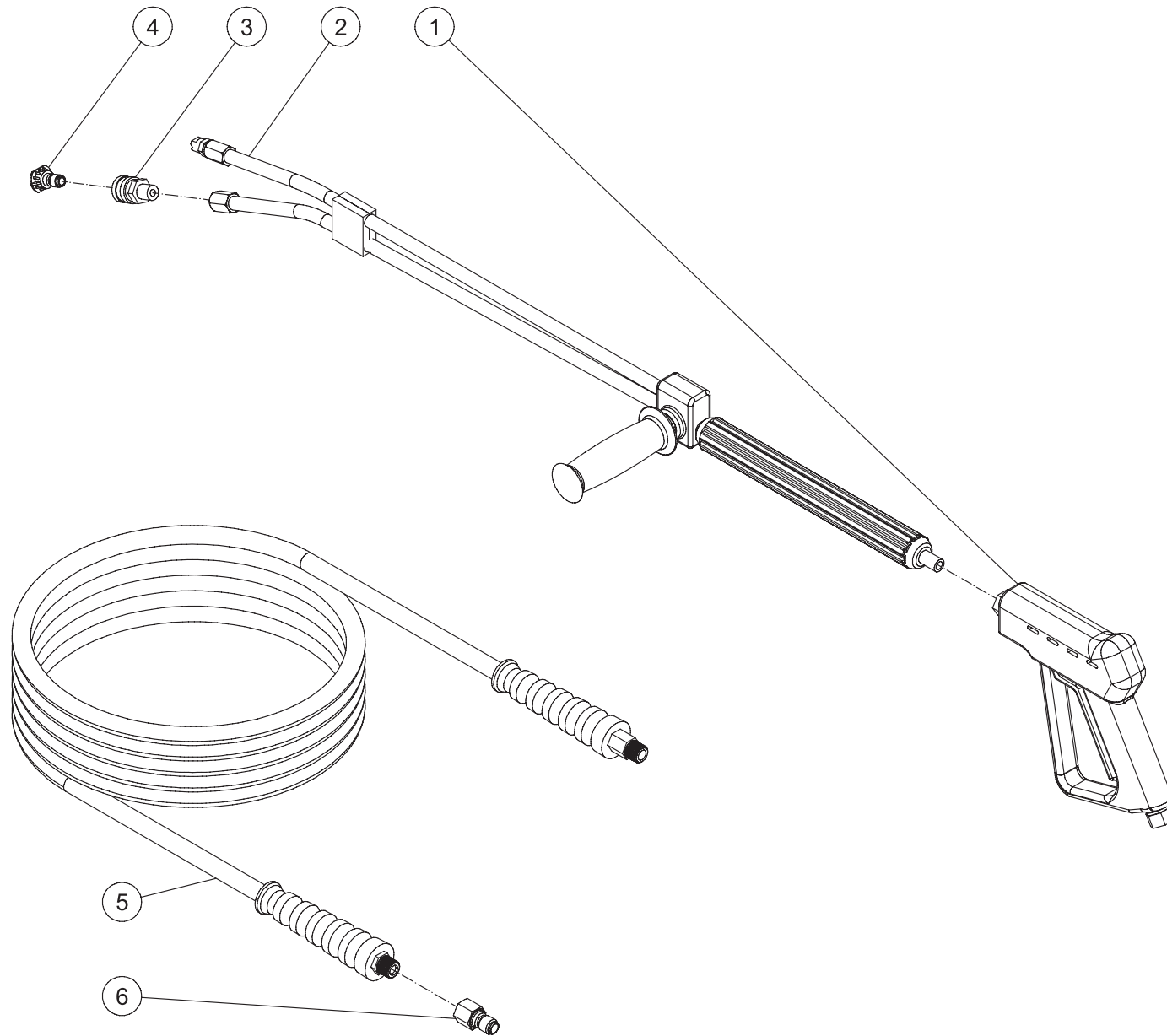
UNLOADER (850-0252)			
REF. #	DESCRIPTION	PART #	QTY.
1	Hex Nut	8-0362	2
2	Cover	7-0098	1
3	Set Screw	27-4280	1
4	Adjusting Insert- Brass	8-0363	1
5	Adjustment Nut	8-0364	1
6	Set Screw	8-0365	1
7	Glide Ring	8-0366	1
8	Spring	49-0104	1
9	Hex Nut	8-0367	1
10	Bushing	8-0368	1
11	Unloader Body	8-0369	1
12	Retainer	8-0269	1
13	Valve Housing	8-0104	1
14	Spring	49-0023	1
15	Valve	8-0105	1
16	O-ring	25-0036	1
17	Cylinder Pin	8-0372	1
18	Piston Repair Kit	70-0243	1
19	Spacer	8-0371	1
20	Stop Nut	8-0157	1
21	Washer	29-0154	2
	Check Valve Repair Kit (Includes 13-16)	70-0244	
	Unloader Complete	850-0252	

PRESSURE SWITCH (22-0171 AND 22-0243)



PRESSURE SWITCH								
REF. #	DESCRIPTION	PART #	QTY.		REF. #	DESCRIPTION	PART #	QTY.
1	Pressure Switch- 15 BAR	22-0171	1		11	Washer	N/A	1
-	Pressure Switch- 25 BAR	22-0243	1		12	Spring- 15 BAR	49-0144	1
2	Screw	N/A	4		-	Spring- 25 BAR	49-0145	1
3	Cover	N/A	1		13	Washer	N/A	1
4	O-ring (See 70-0306)	N/A Sep.	1		14	Plastic Housing	N/A	1
5	Micro Switch	N/A	1		15	O-ring (See 70-0306)	N/A Sep.	1
6	Retainer Clip	N/A	1		16	Nut- 15 BAR	N/A	1
7	Body	N/A	1		-	Nut- 25 BAR	N/A	1
8	O-ring (See 70-0306)	N/A Sep.	2		17	Wire Assembly	N/A	1
9	Back-up Ring (See 70-0306)	N/A Sep.	1			O-ring Repair Kit (Inc. 4, 8-9, 15)	70-0306	
10	Piston	N/A	1					

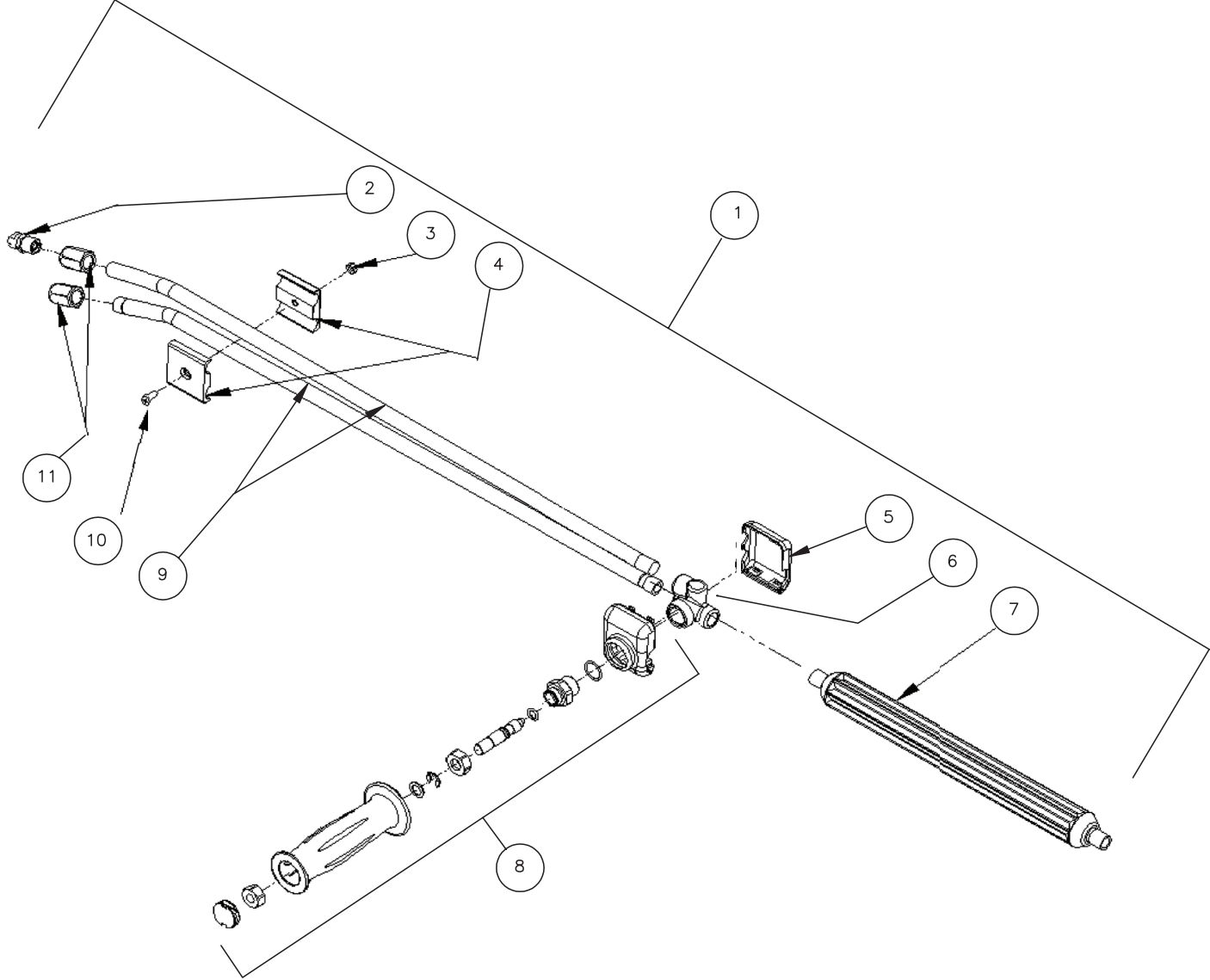
GUN/WAND/HOSE ASSEMBLY



GUN WAND HOSE ASSY HHS 022114

GUN WAND HOSE ASSY HHS 022114		
GUN/WAND/HOSE ASSEMBLY		
ITEM	TITLE	PART #
1	GUN	16-0001
3	QC SOCKET	17-0028
2	DUAL LANCE ASSY (1003, 2004, 3004)	16-0416
-	DUAL LANCE ASSY (3005)	16-0417
4	NOZZLE 00055 QC (1003, 3005)	18-0410
-	NOZZLE 15055 QC (1003, 3005)	18-0411
-	NOZZLE 25055 QC (1003, 3005)	18-0412
-	NOZZLE 40055 QC (1003, 3005)	18-0413
-	NOZZLE 00060 QC (2004)	18-0414
-	NOZZLE 15060 QC (2004)	18-0415
-	NOZZLE 25060 QC (2004)	18-0416
-	NOZZLE 40060 QC (2004)	18-0417
-	NOZZLE 00045 QC (3004)	18-0402
-	NOZZLE 15045 QC (3004)	18-0403
-	NOZZLE 25045 QC (3004)	18-0404
-	NOZZLE 40045 QC (3004)	18-0405
5	HOSE ASSY (1003, 2004)	15-0146
-	HOSE ASSY (3004, 3005)	15-0166
6	QUICK CONNECT	17-0006

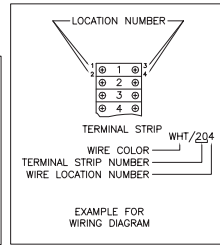
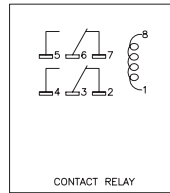
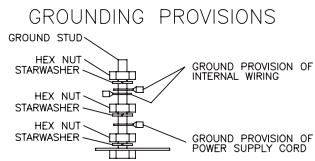
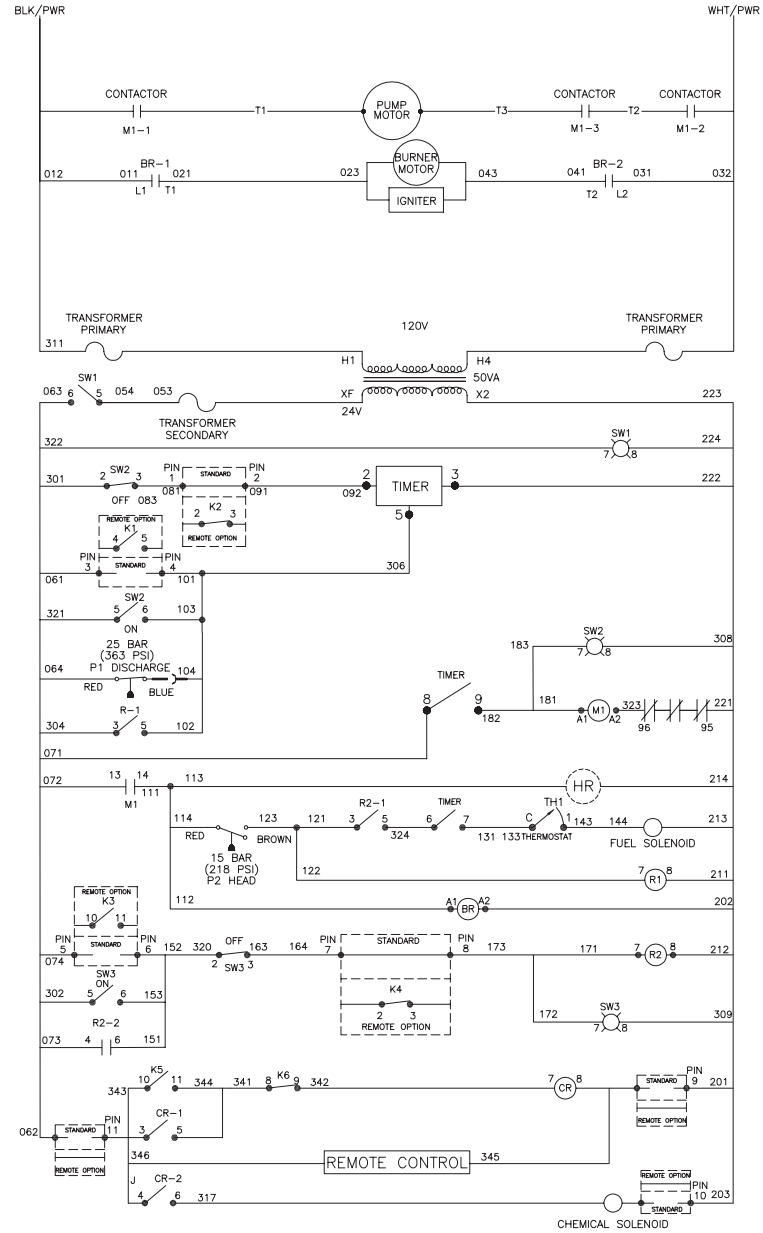
DUAL LANCE ASSEMBLY (16-0416 & 16-0417)



16-0416_16-0417-102405-RZ

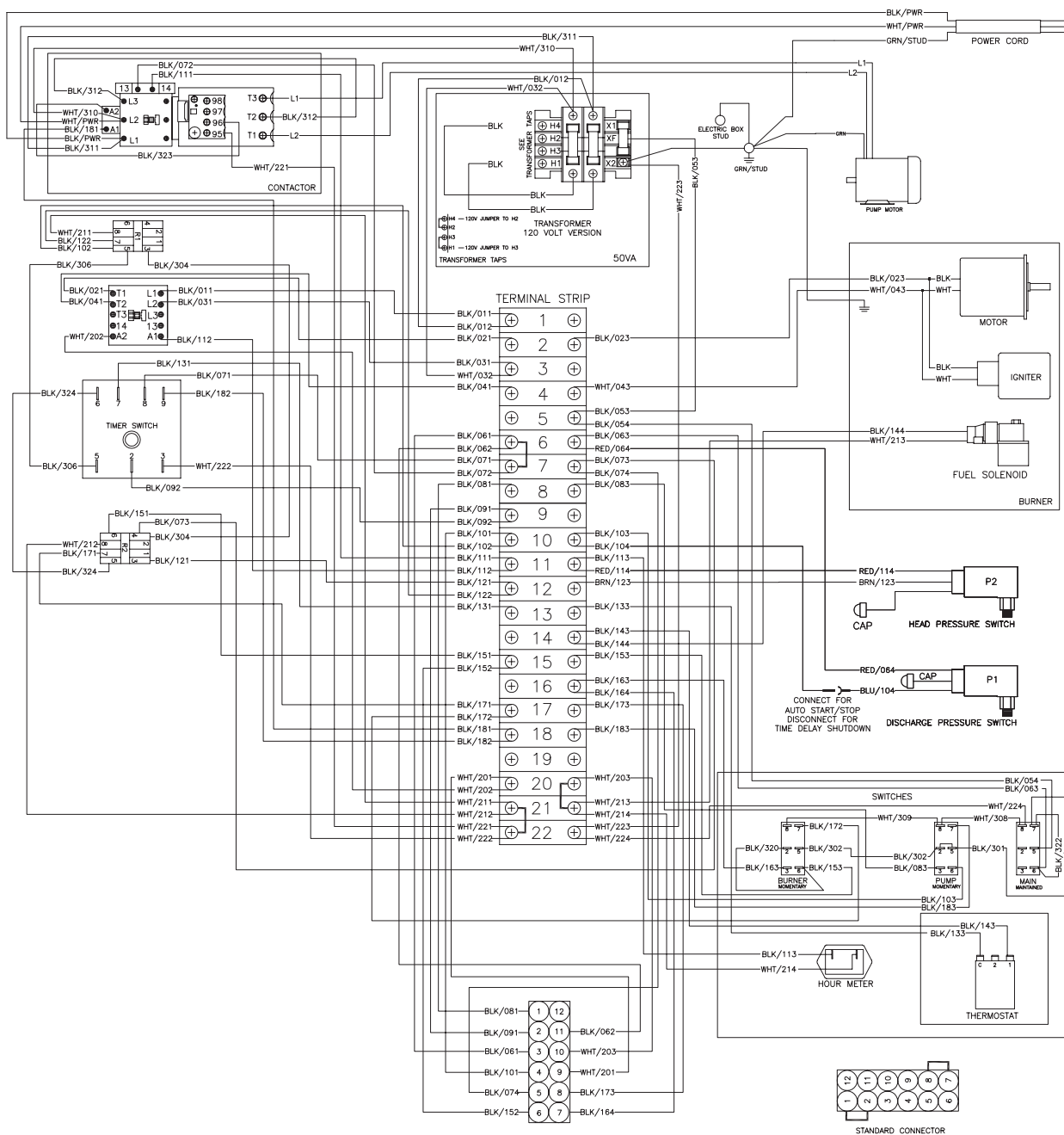
DUAL LANCE ASSEMBLY (16-0416 & 16-0417)			
REF. #	DESCRIPTION	PART #	QTY.
1	Dual Lance Assembly - 36" (Inc. 2-11)	16-0416	1
-	Dual Lance Assembly - 48" (Inc. 2-11)	16-0417	1
2	Detergent Nozzle	18-0110	1
3	Nut	30-6001	1
4	Clamp	16-0420	2
5	Lower Valve Cover (See 16-0416 or 16-0417)	N/A Sep.	1
6	Housing (See 16-0416 or 16-0417)	N/A Sep.	1
7	Lance	16-0419	1
8	Handle Repair Kit	70-0419	1
9	Lance (See 16-0416)	N/A Sep.	2
-	Lance (See 16-0417)	N/A Sep.	2
10	Screw	27-8196	1
11	Nozzle Adapter	24-0280	2

WIRE SCHEMATIC FOR HHS-1003-2E1G



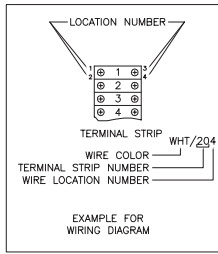
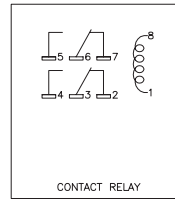
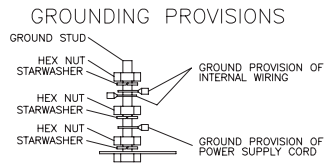
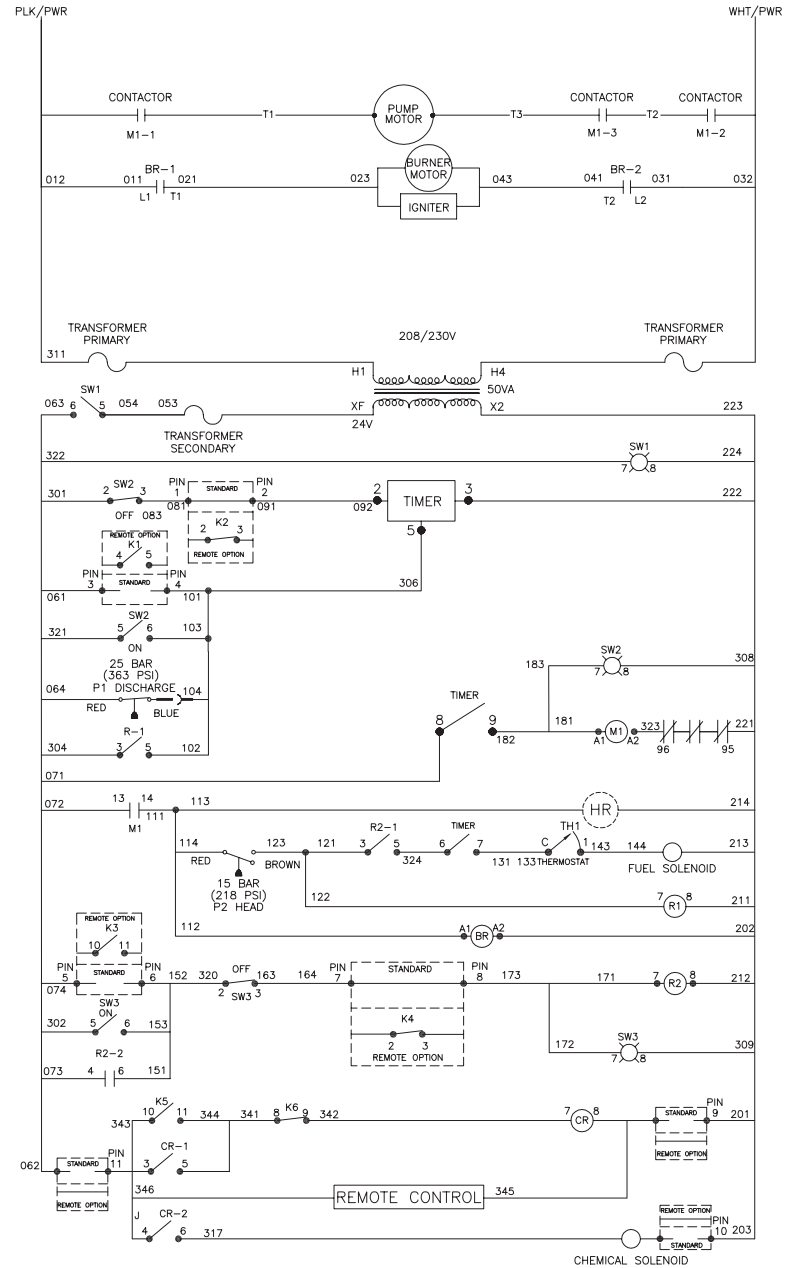
WS HHS 1G 031715 RJA

WIRE DIAGRAM FOR HHS-1003-2E1G



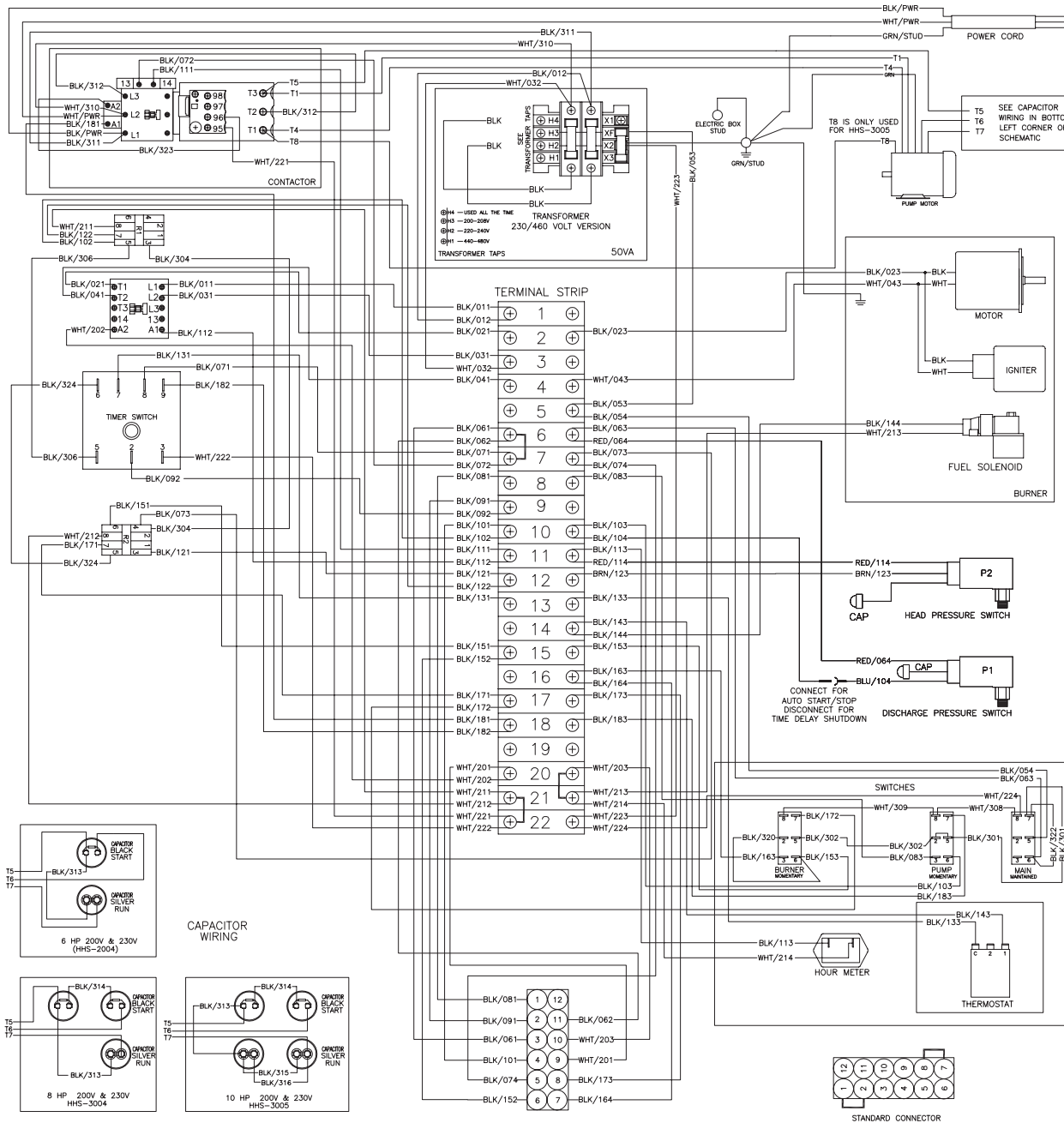
Note: See page 56 for Auto Start/Stop or Time Delay choice.

WIRE SCHEMATIC FOR HHS-2004/3004/3005-2E2G/A & 2E8G



WS HHS 2A_2G_8G 031715 RJA

WIRE DIAGRAM FOR HHS-2004/3004/3005-2E2G/A & 2E8G

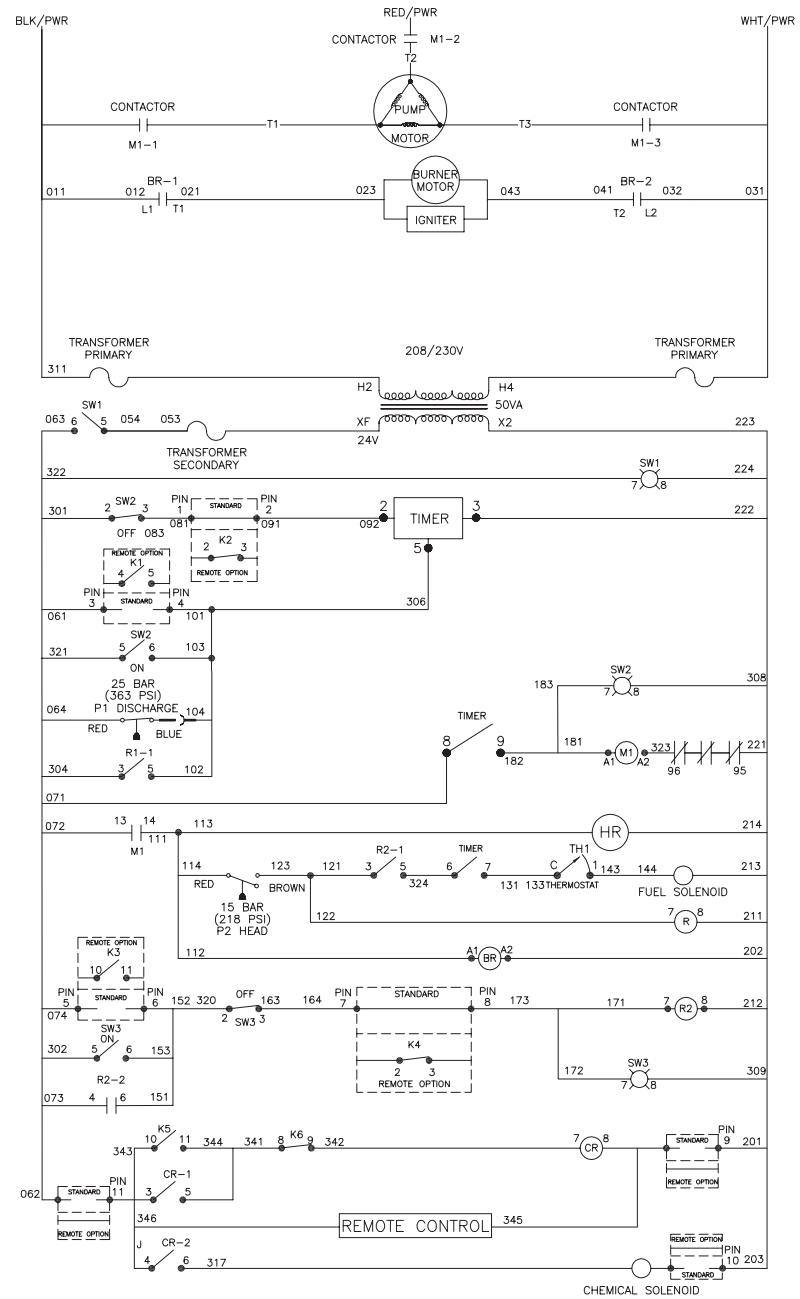
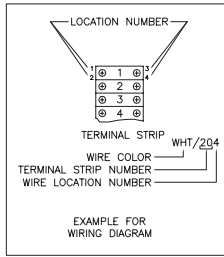
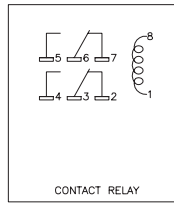
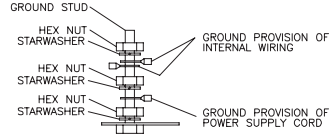


WD HHS 2A_2G_8G 031715 RJA

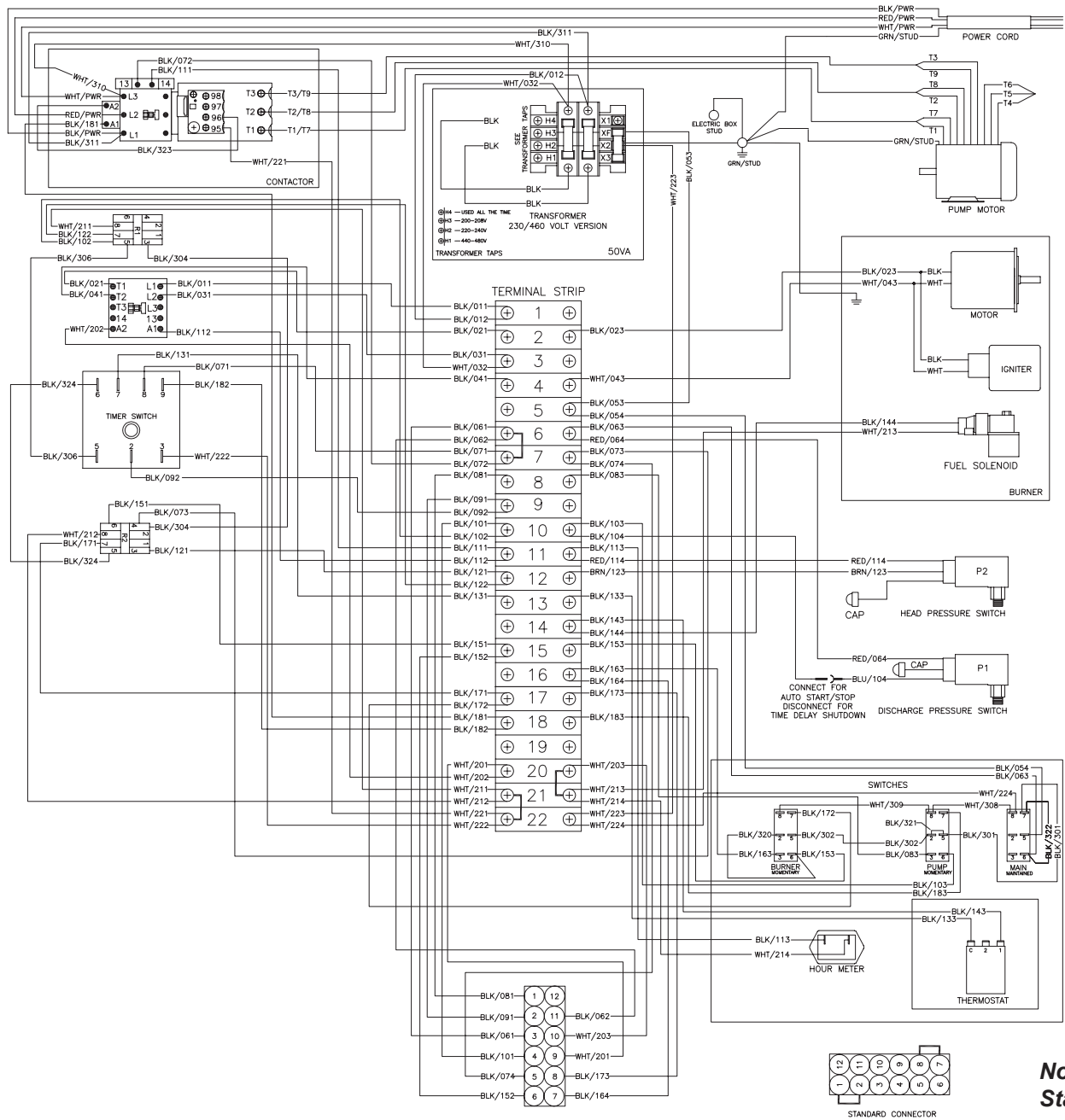
Note: See page 56 for Auto Start/Stop or Time Delay choice.

WIRE SCHEMATIC FOR HHS-2004/3004/3005-2E3G & 2E9G

GROUNDING PROVISIONS

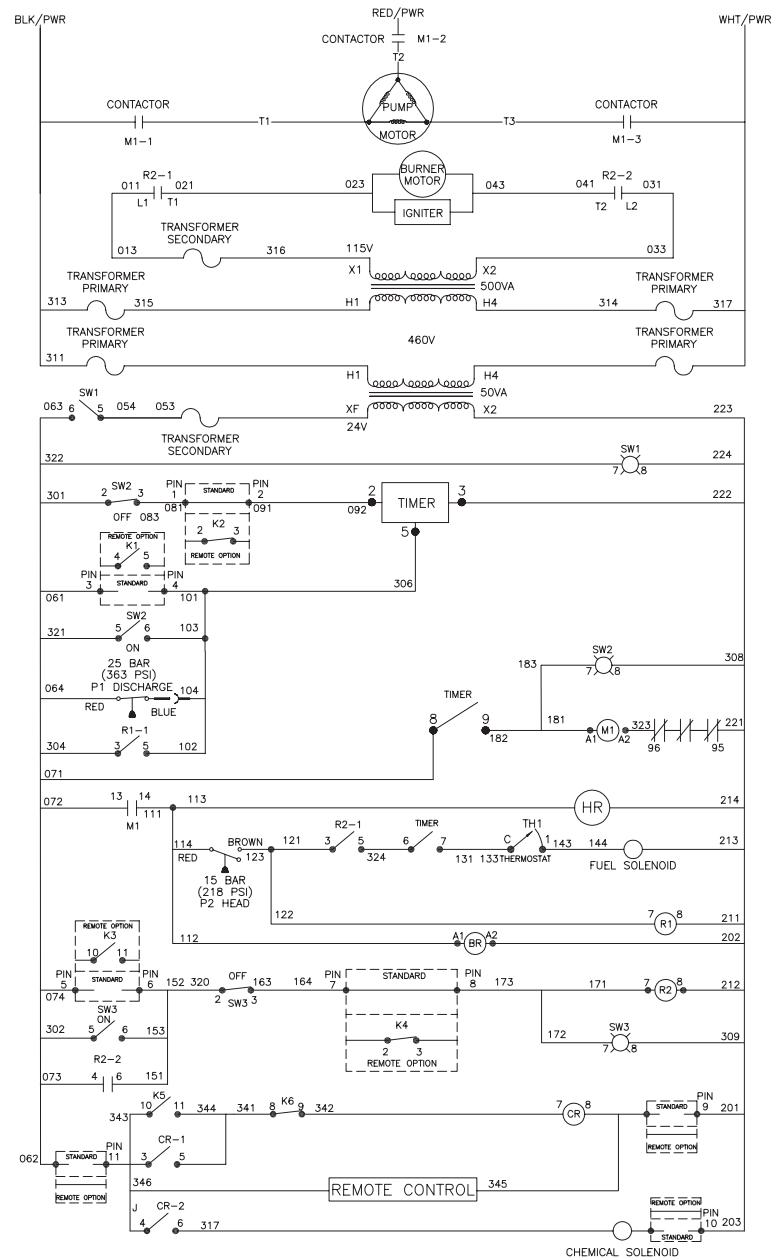
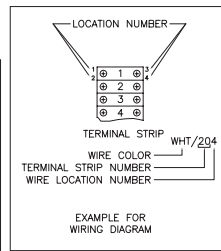
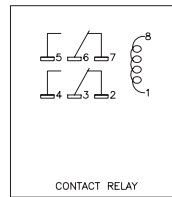
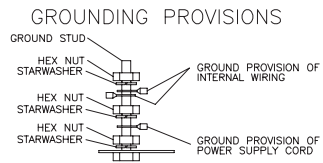


WIRE DIAGRAM FOR HHS-2004/3004/3005-2E3G & 2E9G



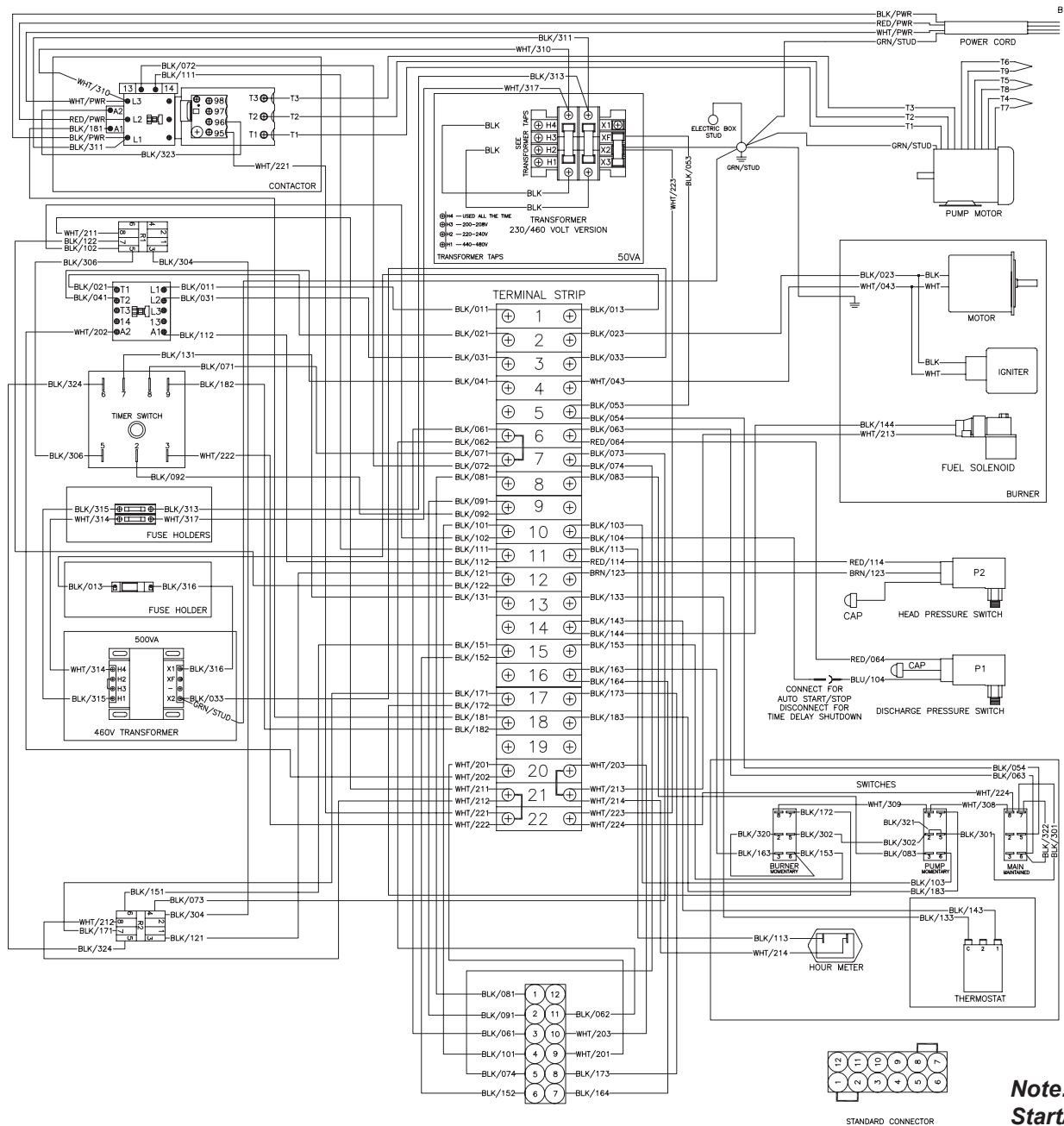
WD HHS 3G_9G 031715 RJA

WIRE SCHEMATIC FOR HHS-2004/3004/3005-2E4G



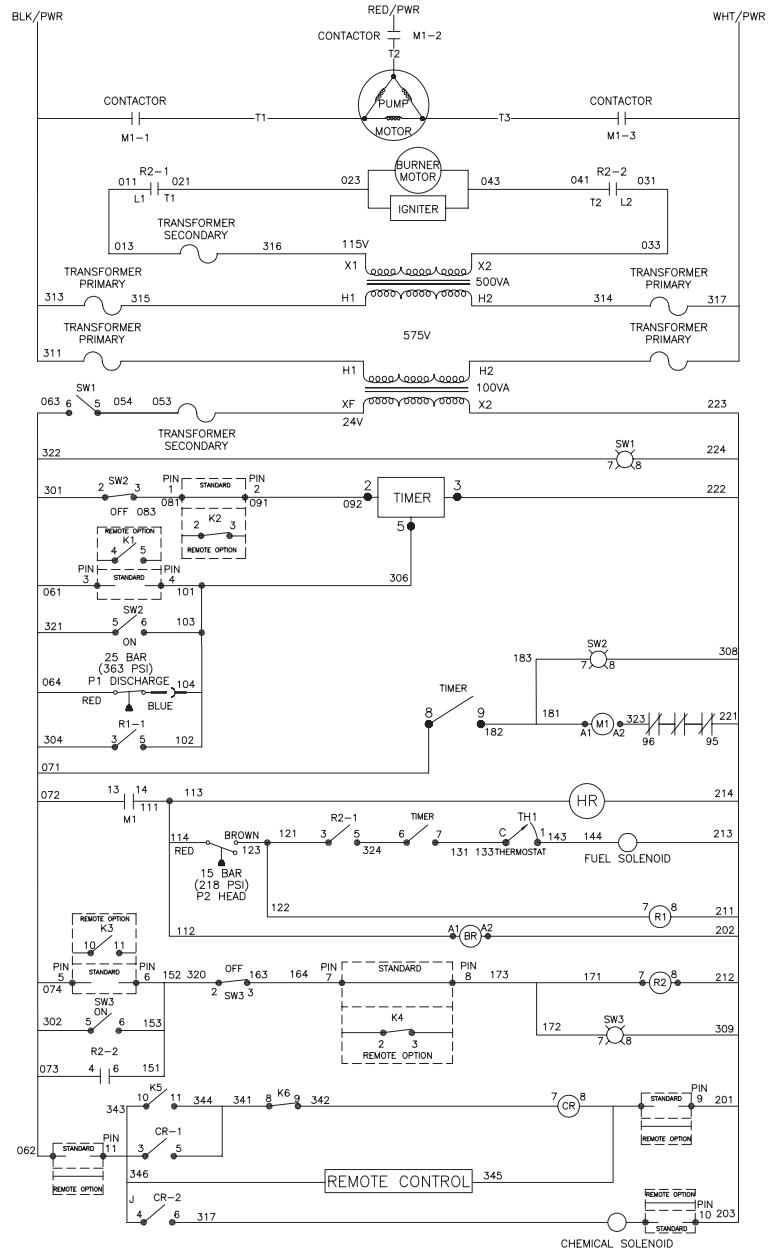
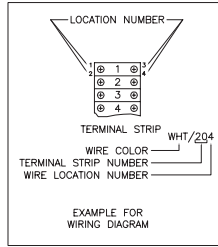
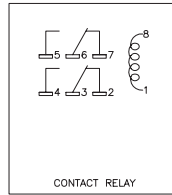
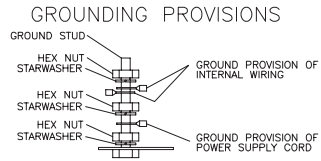
WS HHS 4G 031715 RJA

WIRE DIAGRAM FOR HHS-2004/3004/3005-2E4G



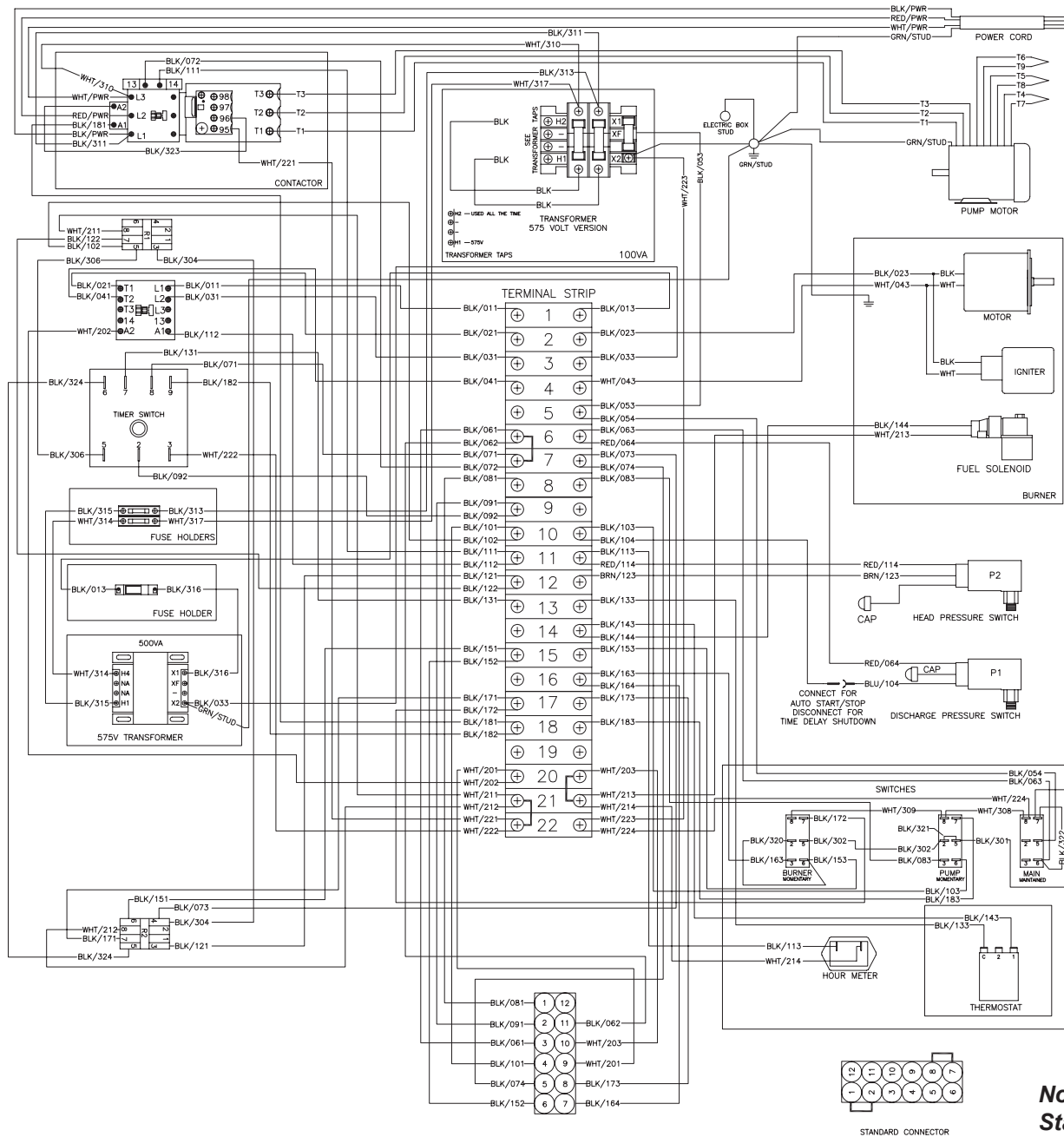
WD HHS 4G 031715 RJA

WIRE SCHEMATIC FOR HHS-2004/3004/3005-2E5G



WS HHS 5G 031715 RJA

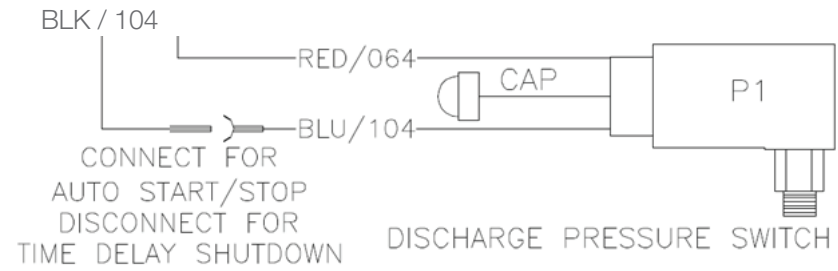
WIRE DIAGRAM FOR HHS-2004/3004/3005-2E5G



Note: See page 56 for Auto Start/Stop or Time Delay choice.

AUTO START/STOP OR TIME DELAY SHUTDOWN

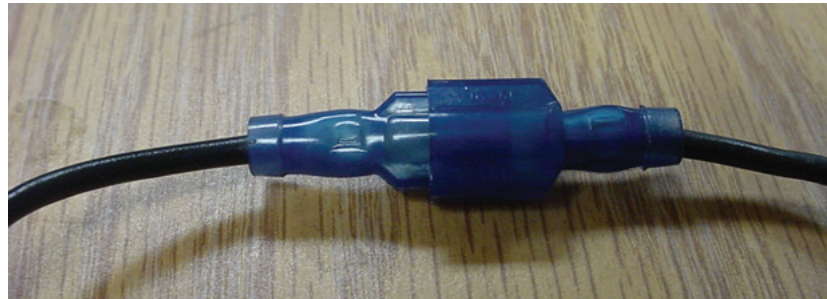
From Wiring Diagram



Time Delay Shutdown



Auto Start/Stop



OPTION AVAILABILITY LISTING

UNIT	HX-0162	HX-0171	HX-0172	HX-0174	HX-0176	HX-0196	HX-0248	HX-0254	HX-0255
HHS-1003	x	x		x		x	x		
HHS-2004	x	x		x		x	x	x	
HHS-3004	x	x	x			x	x	x	
HHS-3005	x	x			x	x	x		x
Option									
	Description								
HX-0162	Stainless Steel Bottom Coil Wrap Option								
HX-0171	Skid Feet Option								
HX-0172	250° Steam Option								
HX-0174	250° Steam Option								
HX-0176	250° Steam Option								
HX-0196	HHS Rollcage								
HX-0248	E-Z-Quip Wireless Remote Option								
HX-0254	K7 Unloader								
HX-0255	K7 Unloader								

Manufactured by Mi-T-M
8650 Enterprise Drive, Peosta IA 52068
563-556-7484/ Fax 563-556-1235