

PARTS LIST FOR ***HHM SERIES***

FUEL NOZZLE:

HHM-3506: 2.25 80°B Delavan

BTU INPUT:

HHM-3506: 386,400

This Parts Listing has been compiled for your benefit. You can be assured your hot water pressure washer was constructed and designed with quality and performance in mind. Each component has been rigorously tested to insure the highest level of acceptance.

The contents of this Parts Listing are based on the latest product information available at the time of publication. The manufacturer reserves the right to make changes in price, color, materials, equipment, specifications or models at any time without notice.

WARNING

THIS IS A PROFESSIONAL HIGH PRESSURE, HOT WATER PRESSURE WASHER. CAUTION SHOULD BE OBSERVED WHEN USING OR REPAIRING THIS UNIT! READ AND FOLLOW THE SAFETY WARNINGS LISTED BELOW BEFORE ATTEMPTING ANY REPAIRS ON THIS PRESSURE WASHER!

SAFETY WARNINGS

1. NEVER alter or modify the equipment. Be sure any accessory items and system components being used will withstand the pressure developed. Use only genuine manufacturer parts for repair of your pressure washer. Failure to do so can cause hazardous operating conditions and will VOID warranty.
2. This unit has multiple safety devices which should never be altered, modified, removed or made inoperable. If a device fails, replace immediately with only genuine manufacturer replacement parts.
3. Electrical System: The unit must be connected to a properly grounded electrical source which provides the correct voltage and adequate fuse protection. Disconnect from power source when making repairs. Never assume the pressure washer is safe to work on just because it is not operating. It could restart at any time. Never operate the pressure washer with electrical enclosures open, removed or damaged. Do not allow metal components of the pressure washer to come in contact with live electrical components.
4. Do not operate the unit without all protective covers in place. Know how to stop and bleed pressures quickly. Be thoroughly familiar with controls.
5. Before servicing the unit, turn unit off, and trigger the gun to release trapped pressure. Do not make repairs while the unit is running. Service in a clean, dry, flat area.
6. After testing the machine, DO NOT leave the pressurized unit unattended. Shut off the unit and release trapped pressure before leaving.

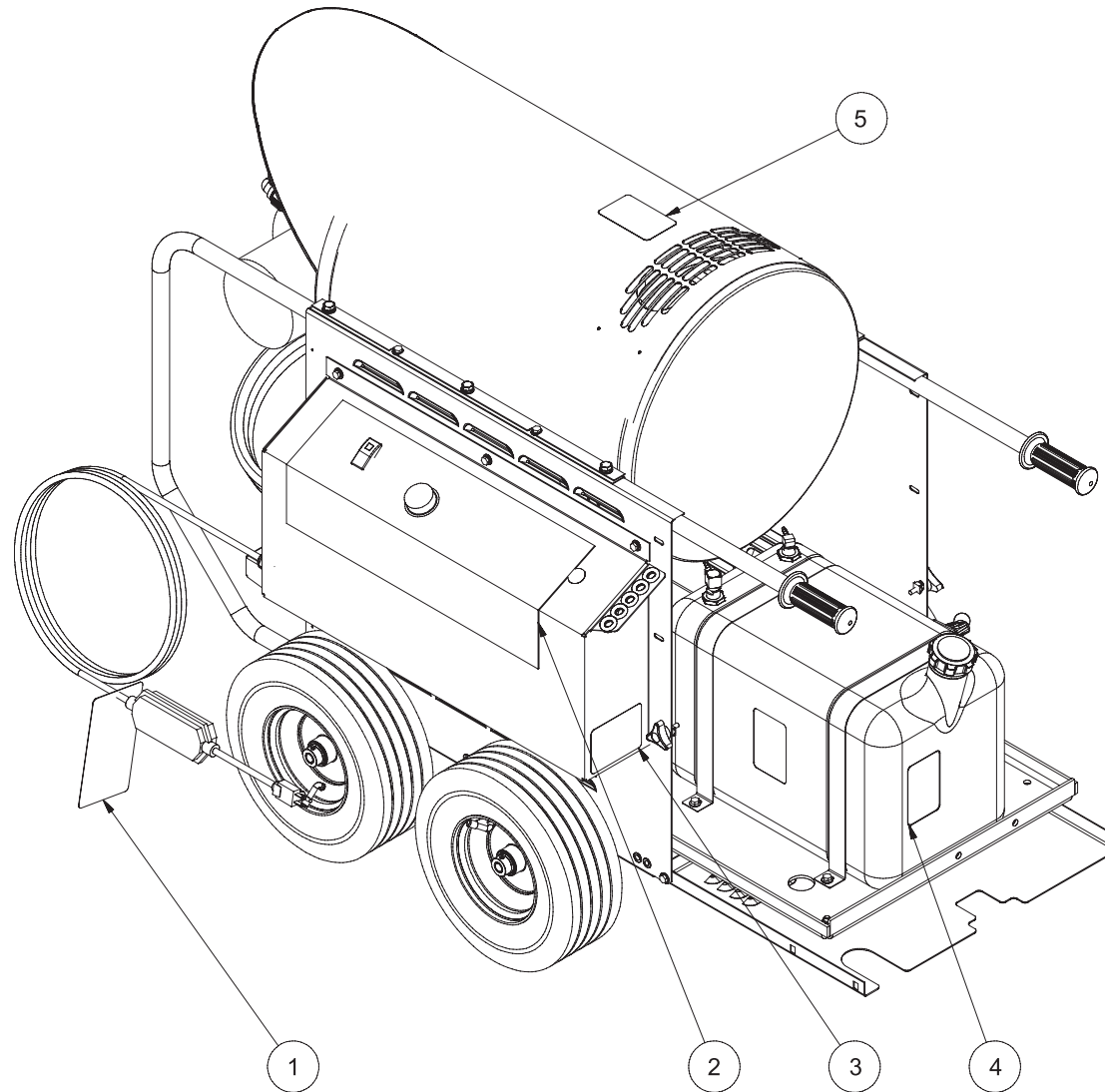
TABLE OF CONTENTS

| | |
|--|-----------|
| SPECIFICATIONS FOR HHM-3506-1E10 | 3 |
| SAFETY DECAL PLACEMENT | 4 |
| HHM UNIT ASSEMBLY | 6 |
| HHM CHASSIS ASSY | 8 |
| ELECTRICAL BOX FOR HHM | 10 |
| HEAT EXCHANGER ASSEMBLY | 12 |
| BURNER ASSEMBLY (4-0017 AFTER SERIAL #15008085 & 4-0018 AFTER SERIAL #15008463) | 14 |
| FUEL TANK ASSEMBLY | 16 |
| WIRE SCHEMATIC FOR HHM | 18 |
| WIRE DIAGRAM FOR HHM | 19 |

SPECIFICATIONS FOR HHM-3506-1E10

| | |
|-------------------------------------|--|
| MODEL NUMBER | HHM-3506-1E10 |
| Operating Pressure (PSI/Bar): | 3500 max |
| Water Volume (GPM/lpm): | 6.0 max |
| Outlet Water Temperature (F/C): | 250°F max (150°F Temp Rise at 4 GPM) |
| Electrical System: | |
| Phase | Single |
| Hz | 60 |
| Voltage | 115 |
| Total System Amperage | 3.2 |
| On/ Off Switch | Rocker Switch |
| Water System: | |
| Inlet Water Strainer | Removable Thimble for inspection and cleaning of Stainless Steel Screen |
| Float Tank Strainer | Removable Strainer for inspection and cleaning of Stainless Steel Screen |
| Float Tank Capacity (Gal. / Liters) | 4.75/18.0 |
| Burner Fuel System: | |
| Fuel Type | No.1 or No.2 Fuel Oil, Diesel or Kerosene |
| Fuel Capacity (Gal. / liters) | 10/37.8 |
| Fuel Filter/ Water Separator | Spin on (10 micron) filter/ E-Z water drain |
| Fuel Pump | Two Line, Single Stage |
| Fuel Pressure (PSI / BAR) | 150/10.4 |
| Fuel Nozzle | 2.25 80° B Delavan |
| Fuel Consumption (GPH / LPH) | 2.76 |
| Burner Electrical System: | |
| Voltage | 115 |
| Amps | 3.0 |
| Heat Exchanger: | Horizontal, Side Fired, Pancake Coil |
| BTU Input | 386,400 |
| Efficiency | 75% with #2 Fuel Oil/ Diesel |
| Smoke Density | 0-3 per ASTM D2156 |
| Safety Relief: | |
| Flow Switch | Shuts off burner fuel supply upon trigger release |
| Fuel Solenoid Valve | 115 Volt, controls fuel supply to burner |
| Safety Relief | Relieves excess system pressure |
| Unit Net Weight (lbs/kg) | 423/192 |
| Unit Shipping Weight (lbs/kg) | 543/247 |
| Unit Net Dimension (in/cm) | 56.5Lx30Wx41.5H/143.5Lx76Wx105.5H |
| Unit Shipping Dimension (in/cm) | 57.5Lx35.5Wx59.5H/146Lx90Wx151H |
| Warranty: | |
| Unit | (2) Two Year Limited Warranty |
| Coil | (5) Five Year Limited Warranty |

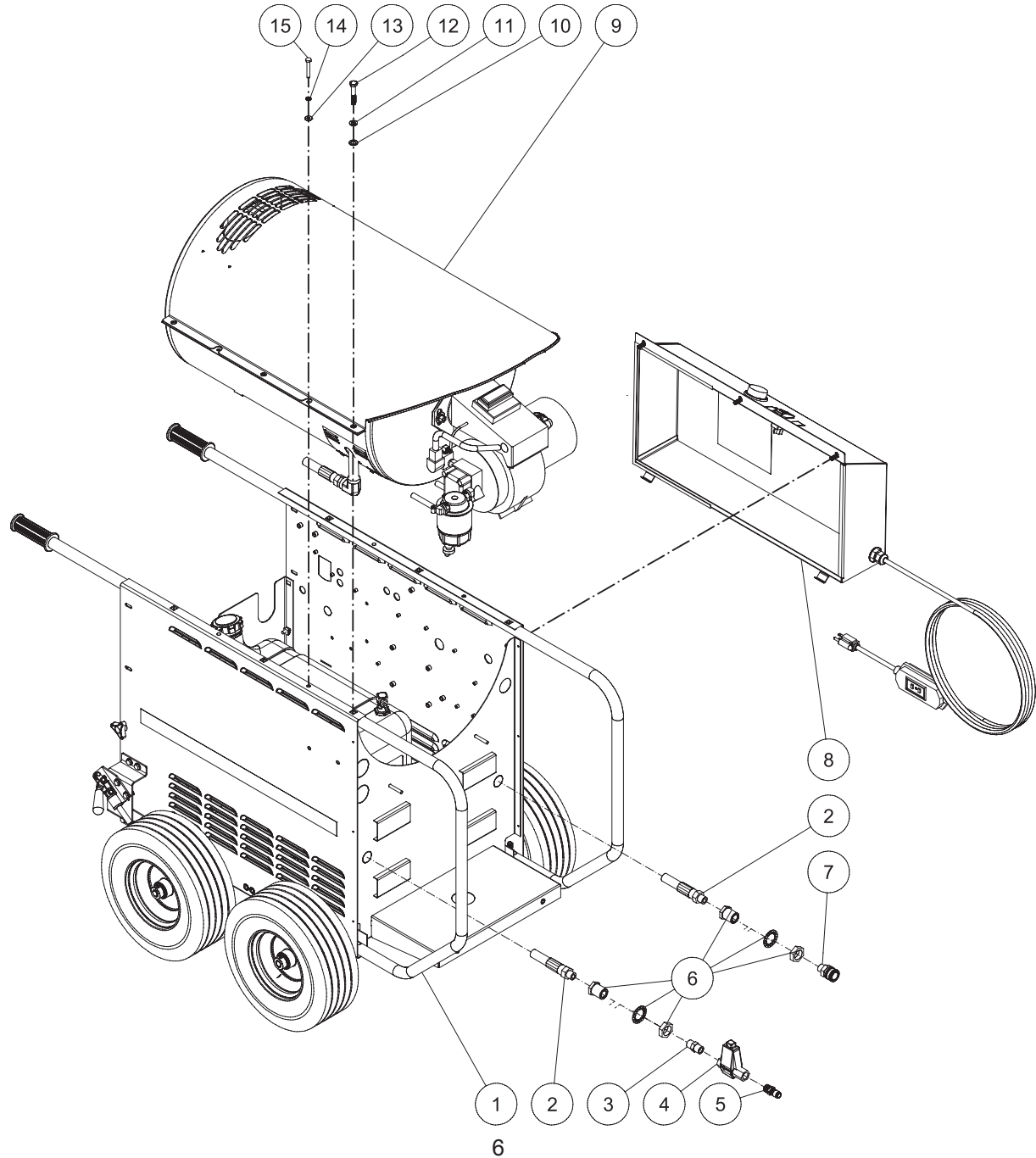
SAFETY DECAL PLACEMENT



HHM-SERIES SAFETY DECALS PLACEMENT GENERIC-120709-CH

| HHM- SAFETY DECAL PLACEMENT GENERIC-032707-PO | | | |
|---|--|----------|------|
| SAFETY DECAL PLACEMENT | | | |
| REF. # | DESCRIPTION | PART # | QTY. |
| 1 | HANG TAG: WARNING: RISK OF ELECTROCUTION (E/F/S) | 34-1035 | 1 |
| 2 | DECAL- WARNING/CAUTION/OPERATION (E/F/S) | N/A SEP. | 1 |
| 3 | DECAL- DATA PLATE | N/A | 1 |
| 4 | DECAL- CAUTION: RISK OF FIRE (E/F/S) | N/A SEP. | 1 |
| 5 | DECAL- WARNING: HOT SURFACE (E/F/S) | N/A SEP. | 1 |
| 6 | DECAL SET | 71-0120 | 1 |

HHM UNIT ASSEMBLY

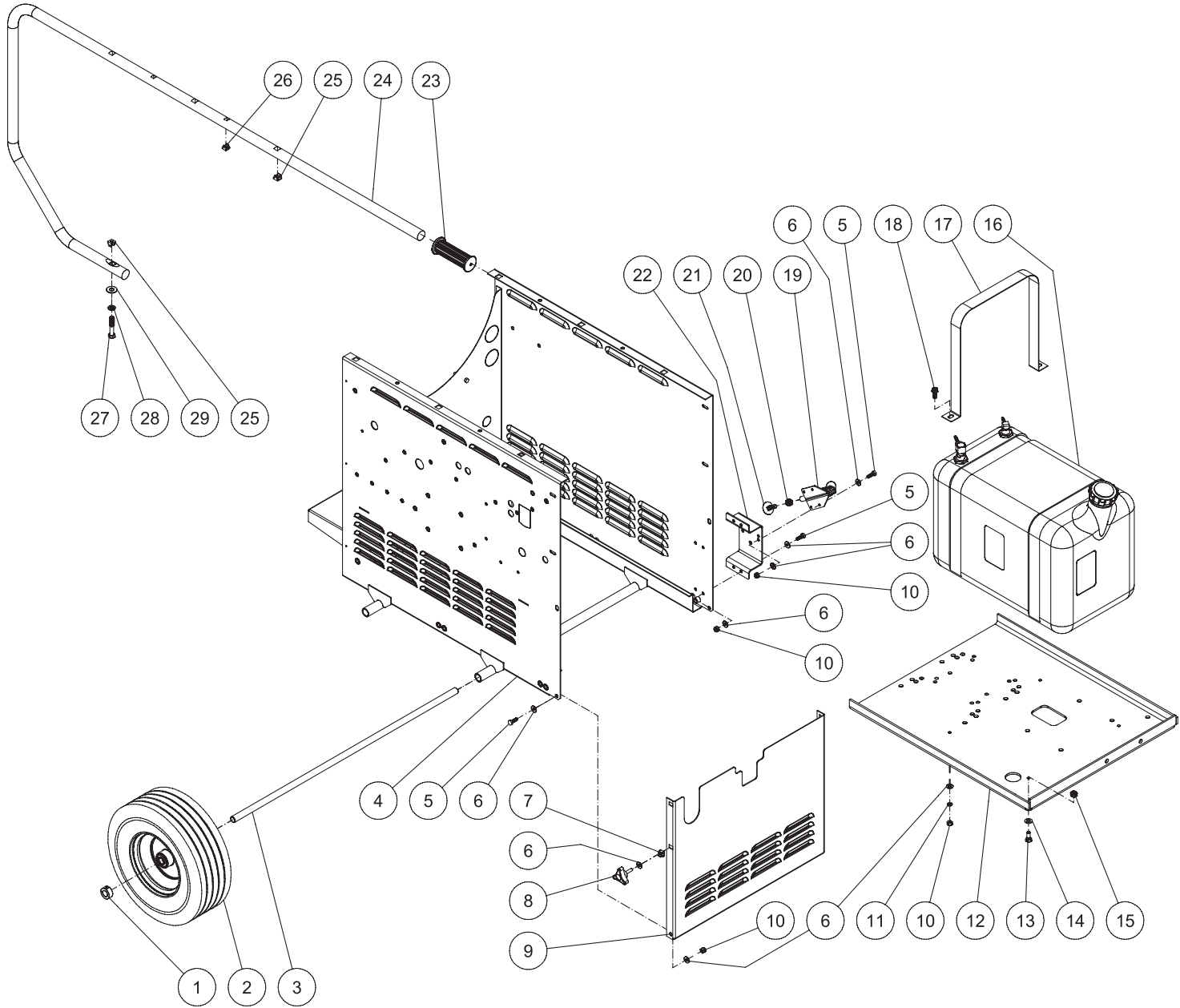


HHM UNIT ASSY 020314 RJA

UNIT ASSEMBLY

| ITEM | TITLE | PART # | QTY |
|------|-------------------------|---------|-----|
| 1 | HHM CHASSIS ASSY | N/A | 1 |
| 2 | HIGH PRESSURE HOSE | 15-0194 | 2 |
| 3 | NIPPLE | 24-0010 | 1 |
| 4 | FLOW SWITCH | 22-0348 | 1 |
| 5 | QUICK CONNECT | 17-0005 | 1 |
| 6 | FITTING | 24-0274 | 2 |
| 7 | QUICK CONNECT SOCKET | 17-0007 | 1 |
| 8 | HHM E-BOX ASSY | N/A | 1 |
| 9 | HHM HEAT EXCHANGER ASSY | N/A | 1 |
| 10 | WASHER | 28-0030 | 6 |
| 11 | LOCKWASHER | 29-0008 | 6 |
| 12 | BOLT | 27-0121 | 6 |
| 13 | WASHER | 28-0002 | 4 |
| 14 | LOCKWASHER | 29-0006 | 4 |
| 15 | BOLT | 27-0019 | 4 |

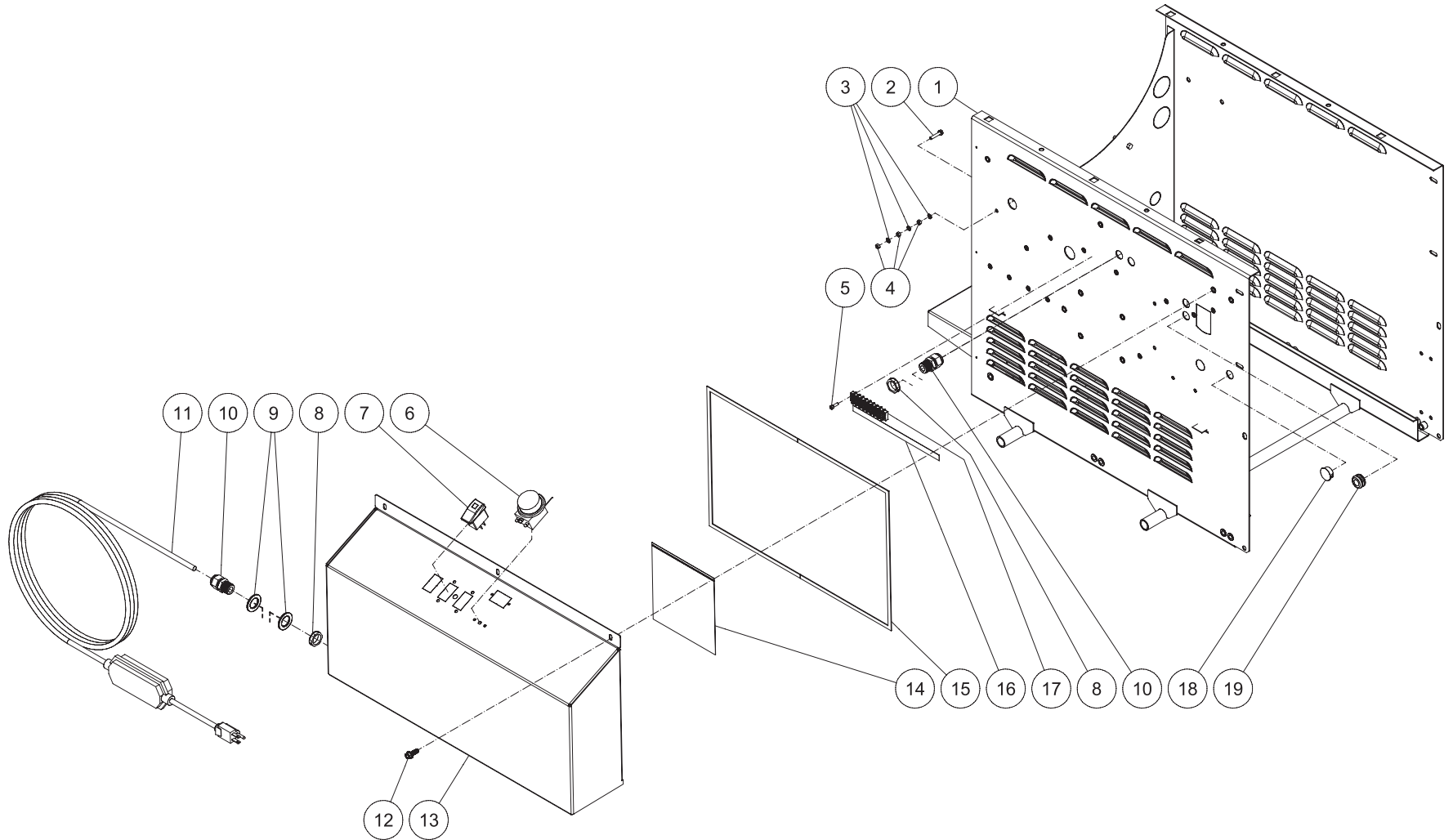
HHM CHASSIS ASSY



HHM-CHASSIS ASSY-021414-RJA

| HHM CHASSIS ASSY 021414 RJA | | | |
|-----------------------------|------------------------|------------|-----|
| CHASSIS ASSEMBLY | | | |
| ITEM | DESCRIPTION | PART # | QTY |
| 1 | COLLAR | 33-0351 | 4 |
| 2 | WHEEL | 14-0127 | 4 |
| 3 | AXLE | 20-0524 | 2 |
| 4 | CHASSIS | 5-0337A18 | 1 |
| 5 | BOLT | 27-0015 | 10 |
| 6 | WASHER | 28-0002 | 26 |
| 7 | CLIP NUT | 30-6026 | 2 |
| 8 | KNOB | 7-0168 | 2 |
| 9 | ACCESS DOOR | 20-0525A18 | 1 |
| 10 | LOCKNUT | 30-0155 | 14 |
| 11 | LOCKWASHER | 29-0006 | 4 |
| 12 | MOTOR PUMP BASEPLATE | 5-0152A18 | 1 |
| 13 | BOLT | 27-0066 | 1 |
| 14 | WASHER | 28-0003 | 1 |
| 15 | LOCKNUT | 30-0157 | 1 |
| 16 | FUEL TANK ASSEMBLY | N/A | 1 |
| 17 | FUEL TANK STRAP | 20-0579A01 | 2 |
| 18 | BOLT | 27-1200 | 4 |
| 19 | PUSH/PULL TOGGLE CLAMP | 33-0400 | 1 |
| 20 | NUT | 30-0004 | 1 |
| 21 | BOLT | 27-9550 | 1 |
| 22 | BRAKE BRACKET | 20-0825A18 | 1 |
| 23 | HANDLE GRIP | 7-0167 | 2 |
| 24 | HANDLE | 7-0166A18 | 2 |
| 25 | CLIP NUT | 30-6025 | 8 |
| 26 | CLIP NUT | 30-6027 | 4 |
| 27 | BOLT | 27-0121 | 2 |
| 28 | LOCKWASHER | 29-0008 | 2 |
| 29 | WASHER | 28-0023 | 2 |

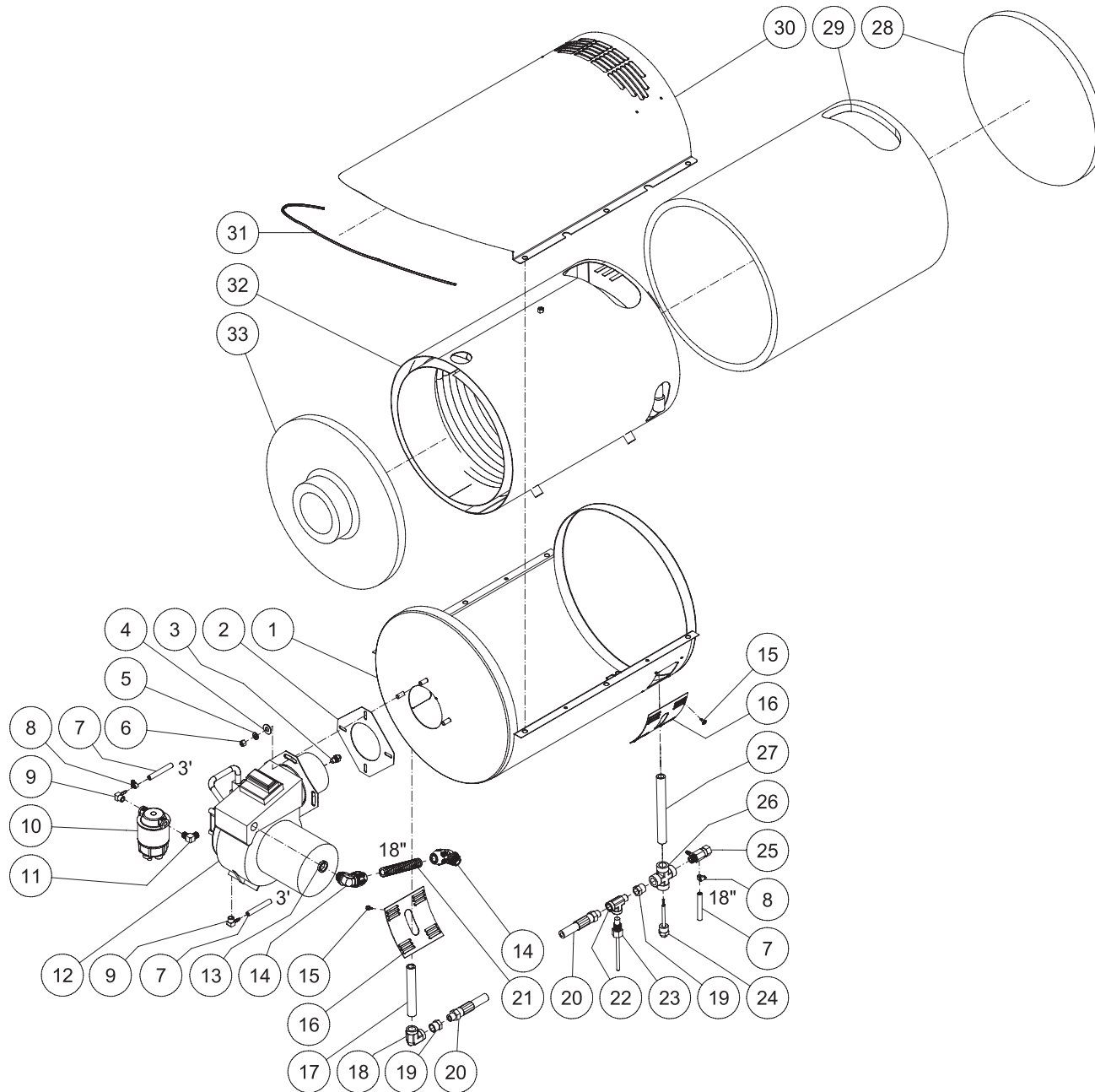
ELECTRICAL BOX FOR HHM



HHM-E BOX ASSY-021414-RJA

| HHM E BOX ASSY 021414 RJA | | | |
|---------------------------|---|------------|-----|
| ELECTRIC BOX ASSEMBLY | | | |
| ITEM | DESCRIPTION | PART # | QTY |
| 1 | CHASSIS | 5-0337A18 | 1 |
| 2 | BOLT | 27-8807 | 1 |
| 3 | STAR WASHER | 28-1009 | 3 |
| 4 | NUT | 30-6001 | 3 |
| 5 | SCREW | 27-8835 | 2 |
| 6 | ADJUSTABLE THERMOSTAT | 32-0962 | 1 |
| 7 | ROCKER SWITCH | 32-0669 | 1 |
| 8 | ELECTRICAL LOCKNUT | 32-0108 | 2 |
| 9 | WASHER | 28-0051 | 2 |
| 10 | STRAIN RELIEF | 32-0437 | 2 |
| 11 | ELECTRIC CORD W/ GFCI | 32-0268 | 1 |
| 12 | BOLT | 27-1200 | 3 |
| 13 | ELECTRIC BOX | 20-1343A18 | 1 |
| 14 | PLASTIC ZIPLOCK BAG | 41-0184 | 1 |
| 15 | GASKET | 26-0240 | 1 |
| 16 | DECAL - TERMINAL STRIP #01-22 (SEE 71-0050) | N/A | 1 |
| 17 | TERMINAL STRIP | 32-0436 | 1 |
| 18 | PLUG | 39-0014 | 1 |
| 19 | GROMMET | 33-0001 | 1 |

HEAT EXCHANGER ASSEMBLY



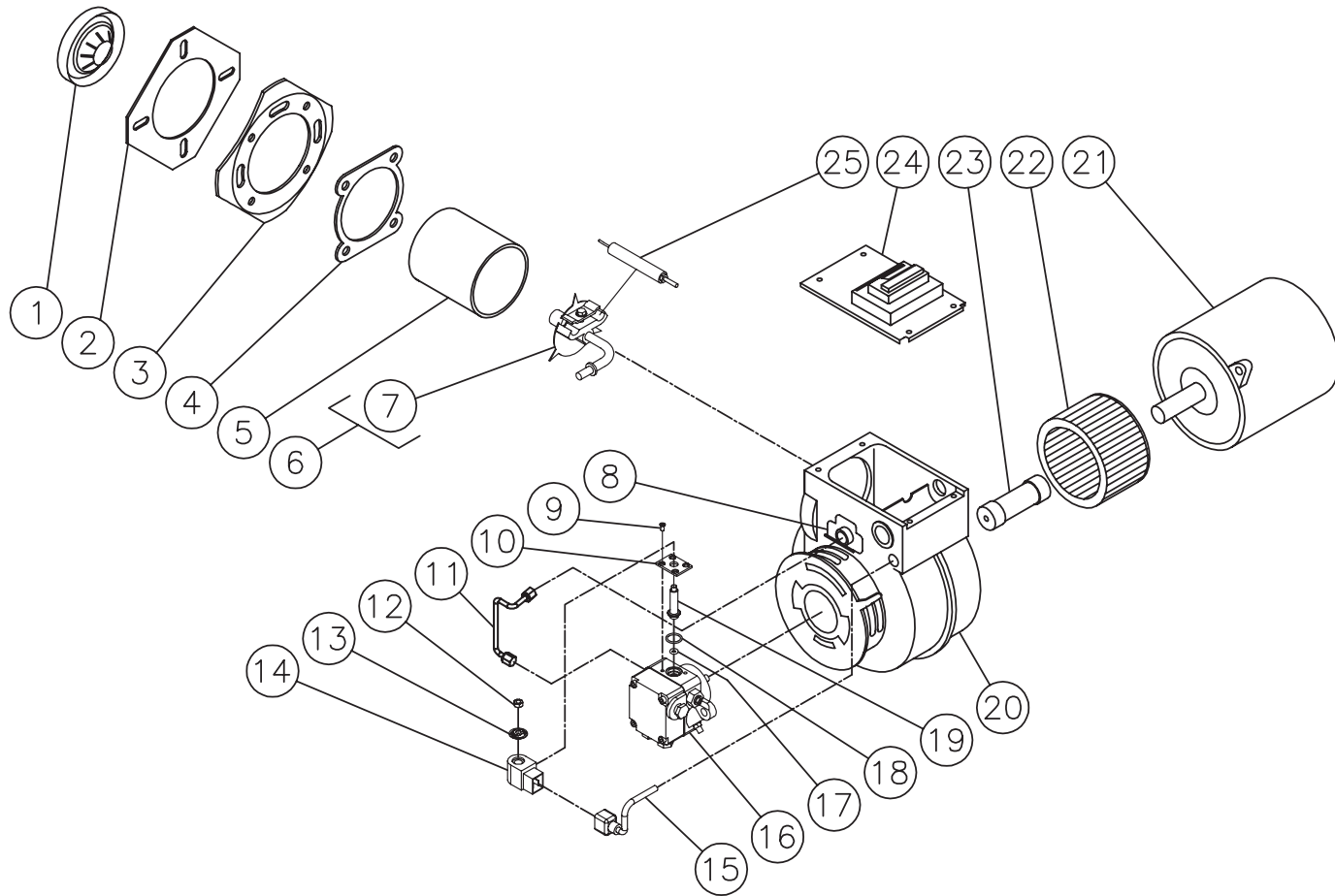
HHM HEAT EXCHANGER ASSY-060412-JDK

HEAT EXCHANGER ASSEMBLY

| REF. # | DESCRIPTION | PART # | QTY. | REF. # | DESCRIPTION | PART # | QTY. |
|--------|----------------------------------|------------|------|--------|-------------------------------|----------|------|
| 1 | Bottom Wrap Assy | 20-0527A18 | 1 | 18 | Elbow | 24-0078 | 1 |
| 2 | Gasket | 44-0108 | 1 | 19 | Bushing | 23-0016 | 2 |
| 3 | Fuel Nozzle | 18-0090 | 1 | 20 | Hose | 15-0194 | 2 |
| 4 | Flatwasher | 28-0023 | 3 | 21 | Conduit *(Two Feet Required) | 32-0253 | 1 |
| 5 | Lockwasher | 29-0008 | 3 | 22 | Tee | 23-0058 | 1 |
| 6 | Nut | 30-0006 | 3 | 23 | Switch- Hi Limit | 32-0798 | 1 |
| 7 | Fuel Hose *(Eight Feet Required) | 15-0008 | 3 | 24 | Thermostat | 32-0962 | 1 |
| 8 | Clamp | 42-0004 | 2 | 25 | Safety Relief Valve | 22-0309 | 1 |
| 9 | Elbow | 23-0054 | 2 | 26 | Cross | 24-0241 | 1 |
| 10 | Filter | 19-0070 | 1 | 27 | Pipe | 24-0255 | 1 |
| 11 | Elbow | 23-0130 | 1 | 28 | Insulation Disc | 33-0346 | 1 |
| 12 | Burner | 4-0017 | 1 | 29 | Insulation Blanket | 850-0279 | 1 |
| 13 | Locknut | 32-0108 | 1 | 30 | Shell | 21-0129 | 1 |
| 14 | Conduit | 32-0254 | 2 | 31 | Edging *(Three Feet Required) | 33-0020 | 1 |
| 15 | Bolt | 27-3062 | 8 | 32 | Coil Assy | 66-0014 | 1 |
| 16 | Patch Plate | 20-0537A18 | 2 | 33 | Insulation Drum Head | 33-0345 | 1 |
| 17 | Pipe | 24-0246 | 1 | | | | |

*Must Order in One Foot Lengths

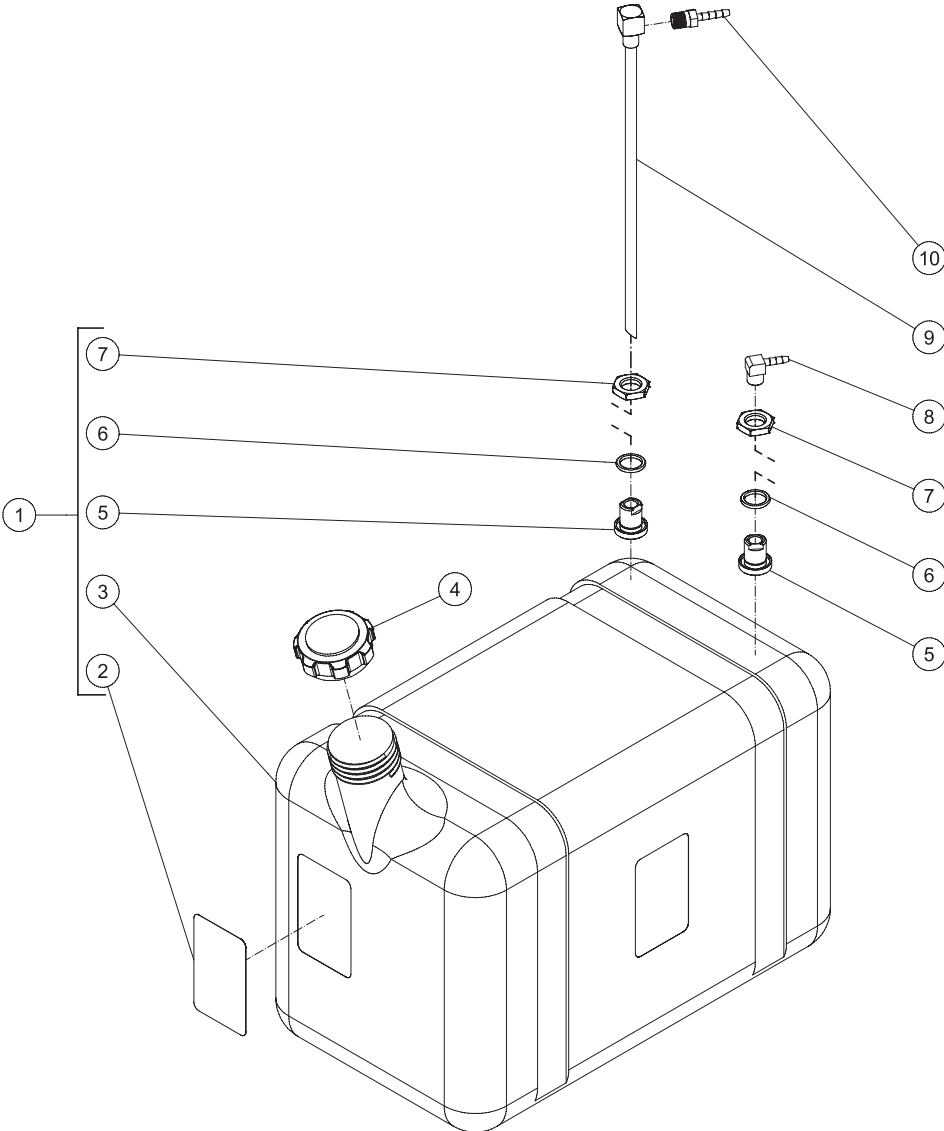
BURNER ASSEMBLY (4-0017 AFTER SERIAL #15008085 & 4-0018 AFTER SERIAL #15008463)



BURNER ASSEMBLY (4-0017 AFTER SERIAL #15008085 & 4-0018 AFTER SERIAL #15008463)

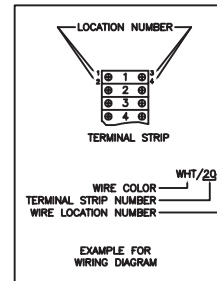
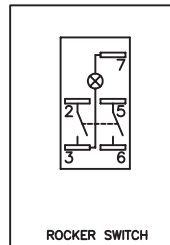
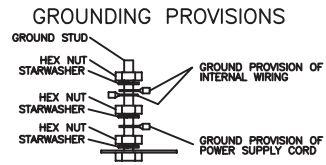
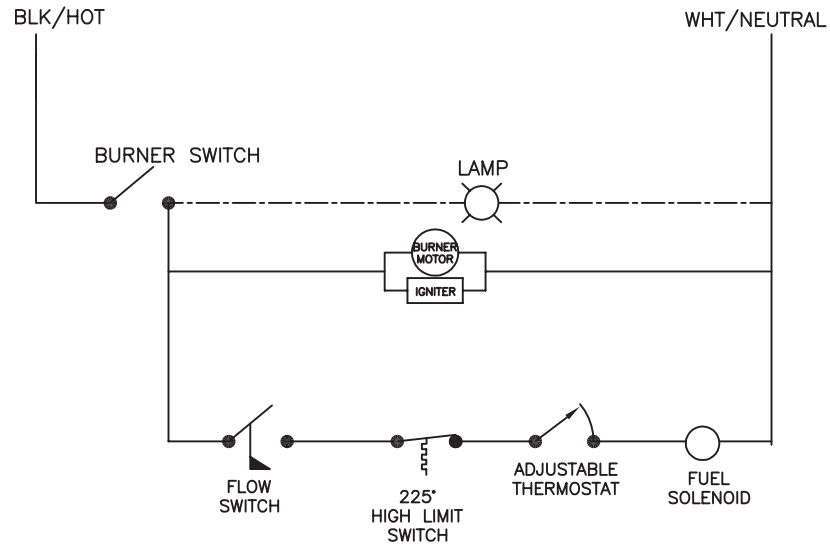
| REF. | DESCRIPTION | PART # | QTY. | REF. | DESCRIPTION | PART # | QTY. |
|------|----------------------|---------|------|------|---------------------------------|---------|------|
| 1 | BURNER HEAD | 44-0011 | 1 | 16 | FUEL PUMP | 3-0236 | 1 |
| 2 | MOUNTING GASKET | 44-0108 | 1 | 17 | O-RING | N/A | 1 |
| 3 | FLANGE | 44-0109 | 1 | 18 | O-RING | N/A | 1 |
| 4 | GASKET | 26-0138 | 1 | 19 | SOLENOID PISTON | 46-1343 | 1 |
| 5 | AIR TUBE | 44-0110 | 1 | 20 | BURNER HOUSING | 44-0033 | 1 |
| 6 | NOZZLE LINE ASSEMBLY | 44-0113 | 1 | 21 | MOTOR (4-0017) | 2-0068 | 1 |
| 7 | ELECTRODE KIT | 44-0114 | 1 | - | MOTOR (4-0018) | 2-0067 | 1 |
| 8 | ESCUTCHEON PLATE | 44-0031 | 1 | 22 | BLOWER WHEEL | 44-0071 | 1 |
| 9 | SCREW | N/A | 1 | 23 | COUPLER | 44-0014 | 1 |
| 10 | BASE PLATE | 46-1004 | 1 | 24 | IGNITION TRANSFORMER (4-0017) | 44-0017 | 1 |
| 11 | FUEL LINE | 44-0026 | 1 | - | IGNITION TRANSFORMER (4-0018) | 44-0015 | 1 |
| 12 | PISTON NUT | 46-1016 | 1 | 25 | ELECTRODE | 44-0114 | 2 |
| 13 | SPRING WASHER | N/A | 1 | | COMPLETE BURNER (INCLUDES 1-17) | 4-0017 | |
| 14 | FUEL SOLENOID | 46-1020 | 1 | | COMPLETE BURNER (INCLUDES 1-17) | 4-0018 | |
| 15 | CORD SET | 44-0122 | 1 | | | | |

FUEL TANK ASSEMBLY

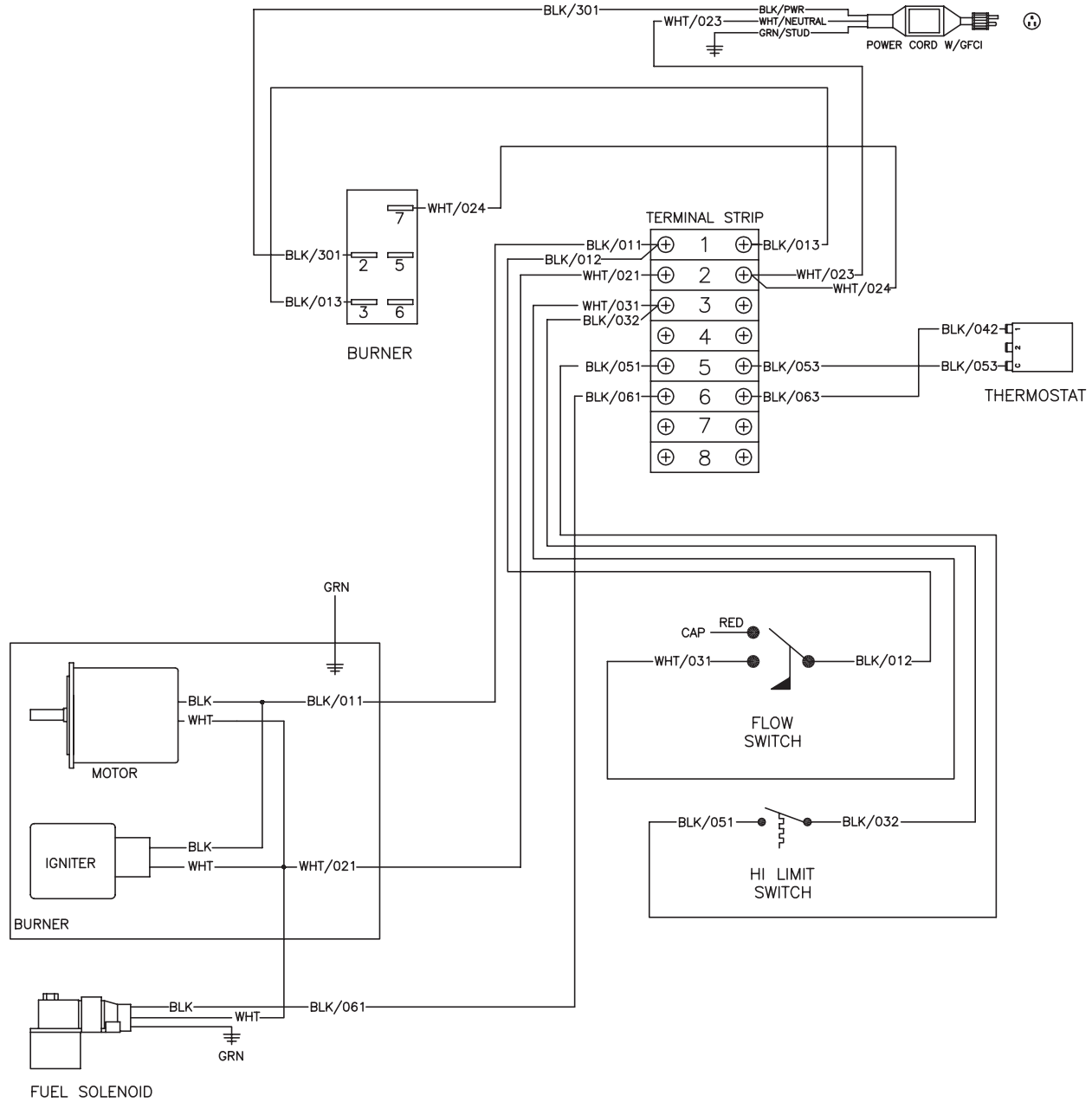


| HHM BURNER FUEL TANK ASSY 120709-CH | | | |
|-------------------------------------|--|----------|-----|
| FUEL TANK ASSEMBLY | | | |
| ITEM | DESCRIPTION | Mi-T-M # | QTY |
| 1 | FUEL TANK ASSEMBLY (INC. 2-3, 5-7) | 850-0307 | 1 |
| 2 | DECAL-CAUTION RISK OF FIRE (SEE 71-0120) | N/A | 1 |
| 3 | FUEL TANK | N/A | 1 |
| 4 | FUEL CAP | 12-0033 | 1 |
| 5 | BULKHEAD FITTING | 23-0408 | 2 |
| 6 | O-RING | 25-0427 | 2 |
| 7 | NUT | 23-0409 | 2 |
| 8 | ELBOW | 23-0054 | 1 |
| 9 | FUEL PICK-UP | 33-0352 | 1 |
| 10 | BARB | 23-0051 | 1 |
| - | SAFETY DECAL KIT (INC 2) | 71-0120 | 1 |

WIRE SCHEMATIC FOR HHM



WIRE DIAGRAM FOR HHM



WIRE DIAGRAM HHS-HHM

