

**PARTS LIST FOR**  
***HDC SERIES***  
**(AFTER SERIAL #15019140 and #15045000)**

**ENGINE OIL GRADE:**

HONDA: Above 50°F = SAE30  
KOLHER/KUBOTA: SAE10W30, API CI-4 or better  
VANGUARD: Above 40°F = SAE30

Below 40°F = SAE10W-30  
SAE 20 or 30 Non-Detergent  
SEE INDIVIDUAL  
MACHINE SPECIFICATIONS

**PUMP OIL GRADE:**

**PUMP OIL CAPACITY:**

**FUEL NOZZLE:**

HDC-3005/3505: 2.25 80° B Delavan  
HDC-4004: 2.00 80° B Delavan

**BTU INPUT:**

HDC-3005/3505: 386,400  
HDC-4004: 343,000

**PRESSURE NOZZLE SIZE:**

HDC-3005: 5.5  
HDC-3505: 5.0  
HDC-4004: 4.0

This Parts Listing has been compiled for your benefit. You can be assured your hot water pressure washer was constructed and designed with quality and performance in mind. Each component has been rigorously tested to insure the highest level of quality.

The contents of this Parts Listing are based on the latest product information available at the time of publication. The manufacturer reserves the right to make changes in price, color, materials, equipment, specifications or models at any time without notice.

### **WARNING**

THIS IS A PROFESSIONAL HIGH PRESSURE, HOT WATER PRESSURE WASHER. CAUTION SHOULD BE OBSERVED WHEN USING OR REPAIRING THIS UNIT! READ AND FOLLOW THE SAFETY WARNINGS LISTED BELOW BEFORE ATTEMPTING ANY REPAIRS ON THIS PRESSURE WASHER!

### **SAFETY WARNINGS**

1. NEVER alter or modify the equipment. Be sure any accessory items and system components being used will withstand the pressure developed. Use only genuine manufacturer parts for repair of your pressure washer. Failure to do so can cause hazardous operating conditions and will VOID warranty.
2. NEVER make adjustments on machinery while the unit is connected to the engine without first removing the ignition cable from the spark plug. Turning over the machinery by hand during adjustment or cleaning might start the engine and machinery with it, causing serious injury to the operator.
3. Know how to stop and bleed pressures quickly. Be thoroughly familiar with controls.
4. Before servicing the unit, turn unit off, relieve the water pressure and allow the unit to cool down. Do not make repairs while the unit is running. Service in a clean, dry, flat area. Block the wheels to prevent the unit from moving. Be especially careful to properly dispose of any flammable materials.
5. After operating the machine, DO NOT leave the pressurized unit unattended. Shut off the unit and release trapped pressure before leaving.

---

**NOTES**

---

**SERIAL BREAK NUMBER:**

**SERIAL BREAK EXPLANATION:**

# 15011230

HDC-3505-0H6G AND HDC-4004-0H6A ONLY: CHANGED ENGINE FROM 850-0334 TO 850-0349.

5-4-05

DELETED ANGLED DUAL LANCE 16-0390 AND EXTENSION LANCE 16-0306. ADDED LANCE 16-0417.

#15019140

3-0213 PUMP REVISED - ADDED PART #'s 46-1200 & 46-1201

6-13-06

ADDED NEW MACHINE - HDC-3505-0B7G

#15045000

CHANGED PRESSURE SEAL ON PUMP 3-0202

#15100089

03-17-15

CHANGED UNLOADER FROM 8-0511 TO 8-0634

## Table of Contents

NOTES .....	3
SPECIFICATIONS FOR HDC-3005-0K6G/0V6G .....	6
SPECIFICATIONS FOR HDC-3505-1H6G/0K6G/0V6G .....	7
SPECIFICATIONS FOR HDC-3505-0B7G .....	8
SPECIFICATIONS FOR HDC-4004-1H6A/0K6A/0V6A.....	9
FLOW CHART FOR HDC-3005/3505.....	10
GENERAL THEORY OF OPERATION FOR HDC-3005/3505 .....	11
FLOW CHART FOR HDC-4004.....	12
GENERAL THEORY OF OPERATION FOR HDC-4004 .....	13
SAFETY DECAL PLACEMENT .....	14
UNIT ASSEMBLY.....	16
FRAME ASSEMBLY (HDC-3505-0B7G) .....	18
ISOLATION PLATE (HDC-3005/4004) (HDC-3505-0V6G/1H6G/0K6G) (AFTER SERIAL #15011230) .....	20
ISOLATION PLATE (HDC-3505-0B7G).....	22
PUMP PLUMBING .....	24
ENGINE ASSEMBLY (850-0330).....	26
ENGINE ASSEMBLY (850-0331).....	28
ENGINE ASSEMBLY (850-0332).....	30
ENGINE ASSEMBLY (850-0333).....	32
ENGINE ASSEMBLY (850-0393/850-0394) .....	34
ENGINE ASSEMBLY (850-0358).....	36
PUMP ASSEMBLY (3-0202) (AFTER SERIAL #15045000).....	38
PUMP ASSEMBLY (3-0213) (AFTER SERIAL #15019140).....	40
FLOAT TANK ASSEMBLY.....	42
GAS TANK ASSEMBLY.....	43
BURNER FUEL TANK .....	44
DIESEL FUEL TANK.....	45
CONTROL PANEL ASSEMBLY (HDC-3005/4005) (HDC-3505-0V6G/1H6G/0K6G) .....	46
CONTROL PANEL ASSEMBLY (HDC-3505-0B7G) .....	48
ELECTRICAL BOX ASSEMBLY .....	50
HEAT EXCHANGER ASSEMBLY (HDC-3005/3505) .....	52
HEAT EXCHANGER ASSEMBLY (HDC-4004) (AFTER SERIAL #15100089).....	54
BURNER ASSEMBLY (4-0021) .....	56

UNLOADER ASSEMBLY (850-0304) .....	58
UNLOADER ASSEMBLY (8-0634) .....	60
PRESSURE SWITCH (22-0171 & 22-0243) .....	62
GUN/WAND/HOSE ASSEMBLY .....	64
DUAL LANCE ASSEMBLY (16-0417) .....	66
WIRING SCHEMATIC .....	68
WIRING DIAGRAM .....	69
3-WAY BALL VALVE OPTION (HX-0130) .....	70
PUMP PLUMBING: PRESSURE TRAPPING UNLOADER OPTION (HX-0143) (HDC-3005/3505) .....	72
HEAT EXCHANGER PLUMBING: PRESSURE TRAPPING UNLOADER OPTION (HX-0143) (HDC-3005/3505) .....	73
ADJUSTABLE THERMOSTAT & HOURMETER OPTION (HX-0212 & HX-0156) .....	74
LIFTING HOOK OPTION (HX-0147) .....	76
CLUTCH DRIVE OPTION (3005) (HX-0229) .....	78
CLUTCH DRIVE OPTION (3505) (HX-0230) .....	80
CLUTCH DRIVE OPTION 9.75" (HX-0266).....	82
WIRING SCHEMATIC (HX-0229 AND HX-0230).....	84
WIRING DIAGRAM (HX-0229 AND HX-0230) .....	85
WIRING SCHEMATIC (HX-0266) .....	86
WIRING DIAGRAM (HX-0266) .....	87

## SPECIFICATIONS FOR HDC-3005-0K6G/0V6G

MODEL NUMBER	HDC-3005-0K6G	HDC-3005-0V6G
Operating Pressure (PSI/Bar):	3000 / 206.8 (+/- 5%)	
Water Volume (GPM/lpm):	4.8 / 18.2 (+/- 5%)	
Outlet Water Temperature (F/C):	130°F / 54°C (+/- 10°F) rise above inlet ambient (210°F / 99°C maximum)	
High Pressure Nozzle	5.5	
Engine:	Kohler	Briggs and Stratton
Model	CH620	Vanguard 16
Engine Type	4 Stroke, Overhead Valve, Twin Cylinder	
Oil Type	SAE10-30W	Above 40°F = SAE30 / Below 40°F = SAE10W-30
Oil Capacity (oz./liter)	64 / 1.89	56 / 1.66
Low Oil Protection	Oil Sentry™	Oil Guard™
Fuel Type	Refer to Engine Owner's Manual	
Fuel Capacity (gal./liter)	10 / 37.8	
Starting	12 Volt Electric	
Battery	BCI Group 24DC, RV / Marine Dual Purpose Deep Cycle / Cranking Battery	
Maximum No Load RPM	3600 (+/- 100)	
High Pressure Pump:	Belt Driven, Oil Bath, Triplex Piston	
Oil Type	SAE20 or 30 Non-Detergent	
Oil Capacity (oz./liters)	41 / 1.2	
Plungers	Ceramic	
Manifold	Forged Brass	
Valves	Stainless Steel	
Unloader	Flow Sensitive - Pre-set at the factory	
Heat Dump Valve	Relieves heated water during unloader bypass stage	
Water System:		
Inlet Water Strainer	Removable Thimble for inspection and cleaning of Stainless Steel Screen	
Float Tank Strainer	Removable Strainer for inspection and cleaning of Stainless Steel Screen	
Float Tank Capacity (gal. / liters)	4.75 / 18.0	
Heat Dump Valve	Protects pump against damaging heat in recirculated and inlet water.	
Burner Fuel System:		
Fuel Type	No.1 or No.2 Fuel Oil, Diesel or Kerosene	
Fuel Capacity (Gal. / liters)	10 / 37.8	
Fuel Filter/ Water Separator	Spin on (10 micron) filter / E-Z water drain	
Fuel Pump	Two Line, Single Stage	
Fuel Pressure (PSI / BAR)	150 / 10.4	
Fuel Nozzle	2.25 80° B Delavan	
Fuel Consumption (GPH / LPH)	2.76 / 10.45 Cont. Burning	
Burner Electrical System:		
Voltage	12	
Amps	16.0	
Heat Exchanger:	Horizontal, Side Fired, Pancake Coil	
BTU Input	386,400	
Efficiency	75% with #2 Fuel Oil / Diesel	
Smoke Density	0-3 per ASTM D2156	
Safety System:		
Pressure Switch	Shuts off burner fuel supply upon trigger release.	
Fuel Solenoid Valve	12 Volt, controls fuel supply to burner	
Safety Relief	Relieves excess system pressure	
Hi-Limit Switch:	Shuts off burner fuel supply when outlet water temperature exceeds 250°F/121°C	
Unit Net Weight (Lbs/kg):	725 / 329	
Unit Shipping Weight (Lbs/kg):	844 / 383	
Unit Net Dimension (In/cm):	49.5L x 33.5W x 44.5H / 125.7L x 85.1W x 113H	
Unit Shipping Dimension (In/cm):	57.5L x 35.5W x 59.5H / 146.1L x 90.2W x 151.1H	

## SPECIFICATIONS FOR HDC-3505-1H6G/0K6G/0V6G

MODEL NUMBER	HDC-3505-1H6G	HDC-3505-0K6G	HDC-3505-0V6G
Operating Pressure (PSI/Bar):	3500 / 241.3 (+/- 5%)		
Water Volume (GPM/lpm):	4.7 / 17.7 (+/- 5%)		
Outlet Water Temperature (F/C):	130°F / 54°C (+/- 10°F) rise above inlet ambient (210°F / 99°C maximum)		
High Pressure Nozzle	5.0		
Engine:	Honda	Kohler	Briggs and Stratton
Model	GX630	CH640	Vanguard 21
Engine Type	4 Stroke, Overhead Valve, Twin Cylinder		
Oil Type	Above 50°F = SAE30	SAE10-30W	Above 40°F = SAE30 / Below 40°F = SAE10W-30
Oil Capacity (oz./liter)	24 / .71	64 / 1.89	56 / 1.66
Low Oil Protection	Oil Switch	Oil Sentry™	Oil Guard™
Fuel Type	Refer to Engine Owner's Manual		
Fuel Capacity (gal./liter)	10 / 37.8		
Starting	12 Volt Electric		
Battery	BCI Group 24DC, RV / Marine Dual Purpose Deep Cycle / Cranking Battery		
Maximum No Load RPM	3600 (+/- 100)		
High Pressure Pump:	Belt Driven, Oil Bath, Triplex Piston		
Oil Type	SAE20 or 30 Non-Detergent		
Oil Capacity (oz./liters)	41 / 1.2		
Plungers	Ceramic		
Manifold	Forged Brass		
Valves	Stainless Steel		
Unloader	Flow Sensitive - Pre-set at the factory		
Heat Dump Valve	Relieves heated water during unloader bypass stage		
Water System:			
Inlet Water Strainer	Removable Thimble for inspection and cleaning of Stainless Steel Screen		
Float Tank Strainer	Removable Strainer for inspection and cleaning of Stainless Steel Screen		
Float Tank Capacity (gal. / liters)	4.75 / 18.0		
Heat Dump Valve	Protects pump against damaging heat in recirculated and inlet water.		
Burner Fuel System:			
Fuel Type	No.1 or No.2 Fuel Oil, Diesel or Kerosene		
Fuel Capacity (Gal. / liters)	10 / 37.8		
Fuel Filter/ Water Separator	Spin on (10 micron) filter / E-Z water drain		
Fuel Pump	Two Line, Single Stage		
Fuel Pressure (PSI / BAR)	150 / 10.4		
Fuel Nozzle	2.25 80° B Delavan		
Fuel Consumption (GPH / LPH)	2.76 / 10.45 Cont. Burning		
Burner Electrical System:			
Voltage	12		
Amps	16.0		
Heat Exchanger:	Horizontal, Side Fired, Pancake Coil		
BTU Input	386,400		
Efficiency	75% with #2 Fuel Oil / Diesel		
Smoke Density	0-3 per ASTM D2156		
Safety System:			
Pressure Switch	Shuts off burner fuel supply upon trigger release.		
Fuel Solenoid Valve	12 Volt, controls fuel supply to burner		
Safety Relief	Relieves excess system pressure		
Hi-Limit Switch:	Shuts off burner fuel supply when outlet water temperature exceeds 250°F/121°C		
Unit Net Weight (Lbs/kg):	725 / 329		
Unit Shipping Weight (Lbs/kg):	844 / 383		
Unit Net Dimension (In/cm):	49.5L x 33.5W x 44.5H / 125.7L x 85.1W x 113H		
Unit Shipping Dimension (In/cm):	57.5L x 35.5W x 59.5H / 146.1L x 90.2W x 151.1H		

## SPECIFICATIONS FOR HDC-3505-0B7G

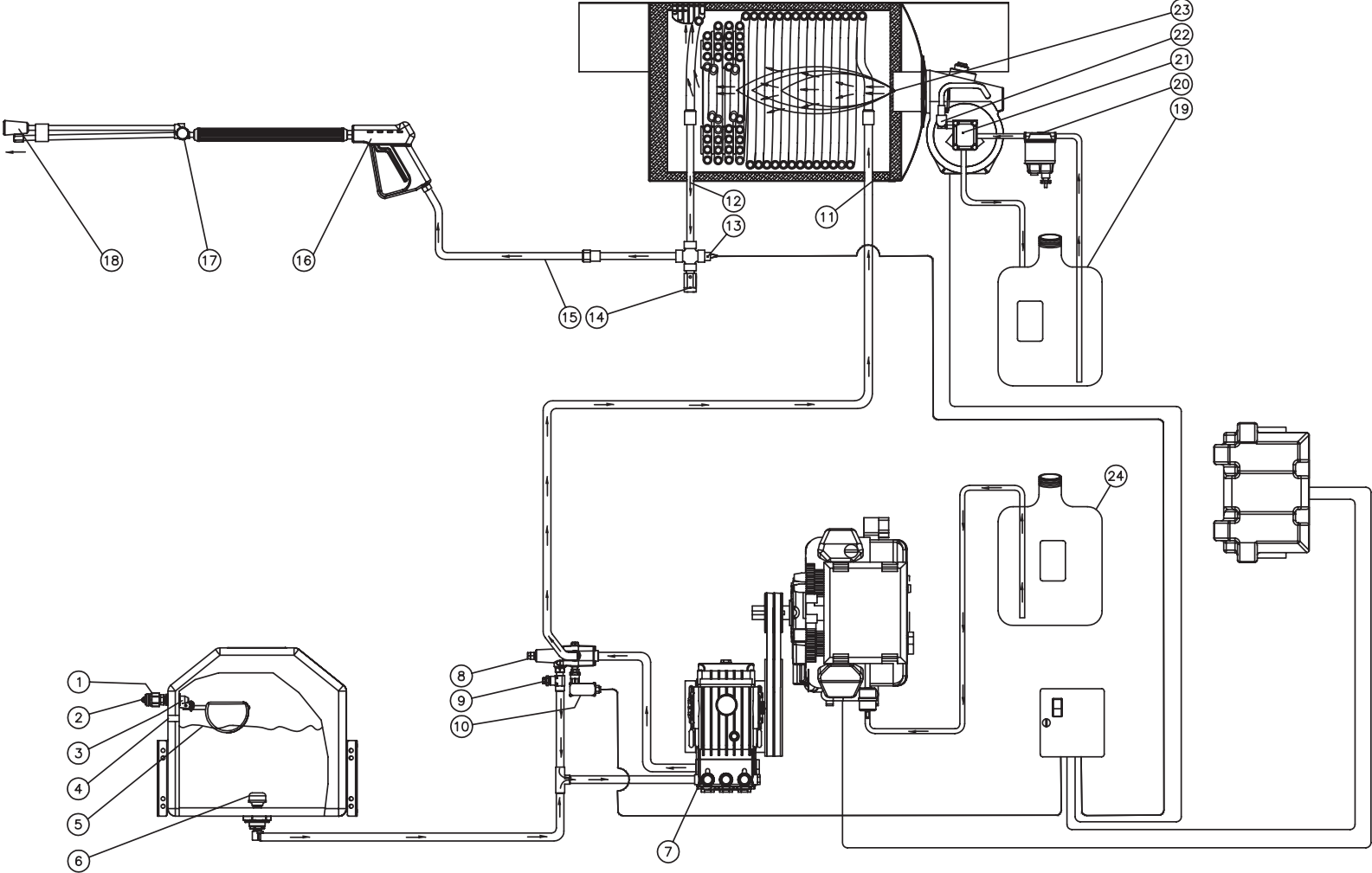
MODEL NUMBER	HDC-3505-0B7G
Operating Pressure (PSI/Bar):	3500 / 241.3 (+/- 5%)
Water Volume (GPM/lpm):	4.7 / 17.7 (+/- 5%)
Outlet Water Temperature (F/C):	130°F / 54°C (+/- 10°F) rise above inlet ambient (210°F / 99°C maximum)
High Pressure Nozzle	5.0
Engine:	Kubota
Model	Z602
Engine Type	4 Stroke, FI Diesel, Liquid Cooled
Oil Type	SAE10W30, API CI-4 or better
Oil Capacity (oz./liter)	84.5 / 2.5
Fuel Type	Refer to Engine Owner's Manual
Fuel Capacity (gal./liter)	10 / 37.8
Starting	12 Volt Electric
Maximum No Load RPM	3600 (+/- 100)
High Pressure Pump:	Belt Driven, Oil Bath, Triplex Piston
Oil Type	SAE20 or 30 Non-Detergent
Oil Capacity (oz./liters)	41 / 1.2
Plungers	Ceramic
Manifold	Forged Brass
Valves	Stainless Steel
Unloader	Flow Sensitive - Pre-set at the factory
Heat Dump Valve	Relieves heated water during unloader bypass stage
Water System:	
Inlet Water Strainer	Removable Thimble for inspection and cleaning of Stainless Steel Screen
Float Tank Strainer	Removable Strainer for inspection and cleaning of Stainless Steel Screen
Float Tank Capacity (gal. / liters)	4.75 / 18.0
Heat Dump Valve	Protects pump against damaging heat in recirculated and inlet water.
Burner Fuel System:	
Fuel Type	No.1 or No.2 Fuel Oil, Diesel or Kerosene
Fuel Capacity (Gal. / liters)	10 / 37.8
Fuel Filter/ Water Separator	Spin on (10 micron) filter / E-Z water drain
Fuel Pump	Two Line, Single Stage
Fuel Pressure (PSI / BAR)	150 / 10.4
Fuel Nozzle	2.25 80° B Delavan
Fuel Consumption (GPH / LPH)	2.76 / 10.45 Cont. Burning
Burner Electrical System:	
Voltage	12
Amps	16.0
Heat Exchanger:	Horizontal, Side Fired, Pancake Coil
BTU Input	386,400
Efficiency	75% with #2 Fuel Oil / Diesel
Smoke Density	0-3 per ASTM D2156
Safety System:	
Pressure Switch	Shuts off burner fuel supply upon trigger release.
Fuel Solenoid Valve	12 Volt, controls fuel supply to burner
Safety Relief	Relieves excess system pressure
Hi-Limit Switch:	Shuts off burner fuel supply when outlet water temperature exceeds 250°F/121°C
Unit Net Weight (Lbs/kg):	836 / 380
Unit Shipping Weight (Lbs/kg):	940 / 427
Unit Net Dimension (In/cm):	56.5L x 33.5W x 44.5H / 143.5L x 85.1W x 113H
Unit Shipping Dimension (In/cm):	57.5L x 35.5W x 59.5H / 146.1L x 90.2W x 151.1H



## SPECIFICATIONS FOR HDC-4004-1H6A/0K6A/0V6A

MODEL NUMBER	HDC-4004-1H6A	HDC-4004-0K6A	HDC-4004-0V6A
Operating Pressure (PSI/Bar):	4000 / 275.8 (+/- 5%)		
Water Volume (GPM/lpm):	4.0 / 15.1 (+/- 5%)		
Outlet Water Temperature (F/C):	130°F / 54°C (+/- 10°F) rise above inlet ambient (210°F / 99°C maximum)		
High Pressure Nozzle	4.0		
Engine:	Honda	Kohler	Briggs and Stratton
Model	GX630	CH640	Vanguard 21
Engine Type	4 Stroke, Overhead Valve, Twin Cylinder		
Oil Type	Above 50°F = SAE30	SAE10-30W	Above 40°F = SAE30 / Below 40°F = SAE10W-30
Oil Capacity (oz./liter)	24 / 1.5	64 / 2.0	56 / 1.67
Low Oil Protection	Oil Switch	Oil Sentry™	Oil Guard
Fuel Type	Refer to Engine Owner's Manual		
Fuel Capacity (gal./liter)	10 / 37.8		
Starting	12 Volt Electric		
Battery	BCI Group 24DC, RV / Marine Dual Purpose Deep Cycle / Cranking Battery		
Maximum No Load RPM	3600 (+/- 100)		
High Pressure Pump:	Belt Driven, Oil Bath, Triplex Piston		
Oil Type	SAE20 or 30 Non-Detergent		
Oil Capacity (oz./liters)	32 / .95		
Plungers	Ceramic		
Manifold	Forged Brass		
Valves	Stainless Steel		
Unloader	Pressure Trapping - Pre-set at the factory		
Heat Dump Valve	Relieves heated water during unloader bypass stage		
Water System:			
Inlet Water Strainer	Removable Thimble for inspection and cleaning of Stainless Steel Screen		
Float Tank Strainer	Removable Strainer for inspection and cleaning of Stainless Steel Screen		
Float Tank Capacity (gal. / liters)	4.75 / 18.0		
Heat Dump Valve	Protects pump against damaging heat in recirculated and inlet water.		
Detergent System	Adjustable Metering Valve		
Burner Fuel System:			
Fuel Type	No.1 or No.2 Fuel Oil, Diesel or Kerosene		
Fuel Capacity (Gal. / liters)	10 / 37.8		
Fuel Filter/ Water Separator	Spin on (10 micron) filter / E-Z water drain		
Fuel Pump	Two Line, Single Stage		
Fuel Pressure (PSI / BAR)	150 / 10.4		
Fuel Nozzle	2.00 80° B Delavan		
Fuel Consumption (GPH / LPH)	2.45 / 9.27 Cont. Burning		
Burner Electrical System:			
Voltage	12		
Amps	16.0		
Heat Exchanger:	Horizontal, Side Fired, Pancake Coil		
BTU Input	343,000		
Efficiency	75% with #2 Fuel Oil / Diesel		
Smoke Density	0-3 per ASTM D2156		
Safety System:			
Pressure Switch	Shuts off burner fuel supply upon trigger release.		
Fuel Solenoid Valve	12 Volt, controls fuel supply to burner		
Safety Relief	Relieves excess system pressure		
Hi-Limit Switch:	Shuts off burner fuel supply when outlet water temperature exceeds 250°F/121°C		
Unit Net Weight (Lbs/kg):	725 / 329		
Unit Shipping Weight (Lbs/kg):	844 / 383		
Unit Net Dimension (In/cm):	49.5L x 33.5W x 44.5H / 125.7L x 85.1W x 113H		
Unit Shipping Dimension (In/cm):	57.5L x 35.5W x 59.5H / 146.1L x 90.2W x 151.1H		

# FLOW CHART FOR HDC-3005/3505



HDC-3005/3505 FLOW DIAGRAM-033005-RZ

## GENERAL THEORY OF OPERATION FOR HDC-3005/3505

**WATER FLOW:** Connect a pressurized water source to the INLET GARDEN HOSE CONNECTION (1) and turn on the water supply. The water will flow through a INLET WATER STRAINER (2) and then through a FLOAT VALVE (3) into a WATER FLOAT TANK (5). If the water rises above the OVERFLOW HOLES (4), the excess water will drain out the unit.

The water is then drawn through the WATER STRAINER (6) and into the TRIPLEX HIGH PRESSURE PUMP (7) which has an UNLOADER (8) that bypasses the water when the trigger gun is closed. To protect the pump from heated water during this bypass stage, a HEAT DUMP VALVE (9) will open at 140°F/60°C allowing the heated water to escape. The Heat Dump Valve automatically resets when the water cools. The BURNER CONTROL PRESSURE SWITCH (10) controls the fuel supply to the burner.

From there, the water flows through HEAT EXCHANGER INLET (11) where it is heated when the burner is on. As the water exits the HEAT EXCHANGER OUTLET (12), it enters a safety system which protects the operator from danger. The system also contains a HI-LIMIT TEMPERATURE SWITCH (13) which senses the water temperature and shuts off the fuel supply to the burner if the water gets too hot. If the unloader fails to bypass water or the burner remains on when the trigger gun is closed, the SAFETY RELIEF (14) will relieve and allow water to exit safely.

The heated water then flows through the HIGH PRESSURE HOSE (15) and to the TRIGGER GUN ASSEMBLY (16) which allows the operator to control the water spray. When the trigger gun is open, the water flows through the ADJUSTABLE PRESSURE DUAL LANCE (17) and exits the NOZZLE (18).

**FUEL FLOW:** The Fuel Pump draws fuel from the FUEL TANK (19) through a replaceable FUEL FILTER/WATER SEPARATOR (20) and into the FUEL PUMP (21). Fuel exits the fuel pump, into a FUEL SOLENOID VALVE (22) which controls fuel flow to the FUEL NOZZLE (23) where it ignites and burns in the heat exchanger. The engine is operated by fuel drawn from the GAS TANK (24).



## GENERAL THEORY OF OPERATION FOR HDC-4004

**WATER FLOW:** Connect a pressurized water source to the INLET GARDEN HOSE CONNECTION (1) and turn on the water supply. The water will flow through a INLET WATER STRAINER (2) and then through a FLOAT VALVE (3) into a WATER FLOAT TANK (5). If the water rises above the OVERFLOW HOLES (4), the excess water will drain out the unit.

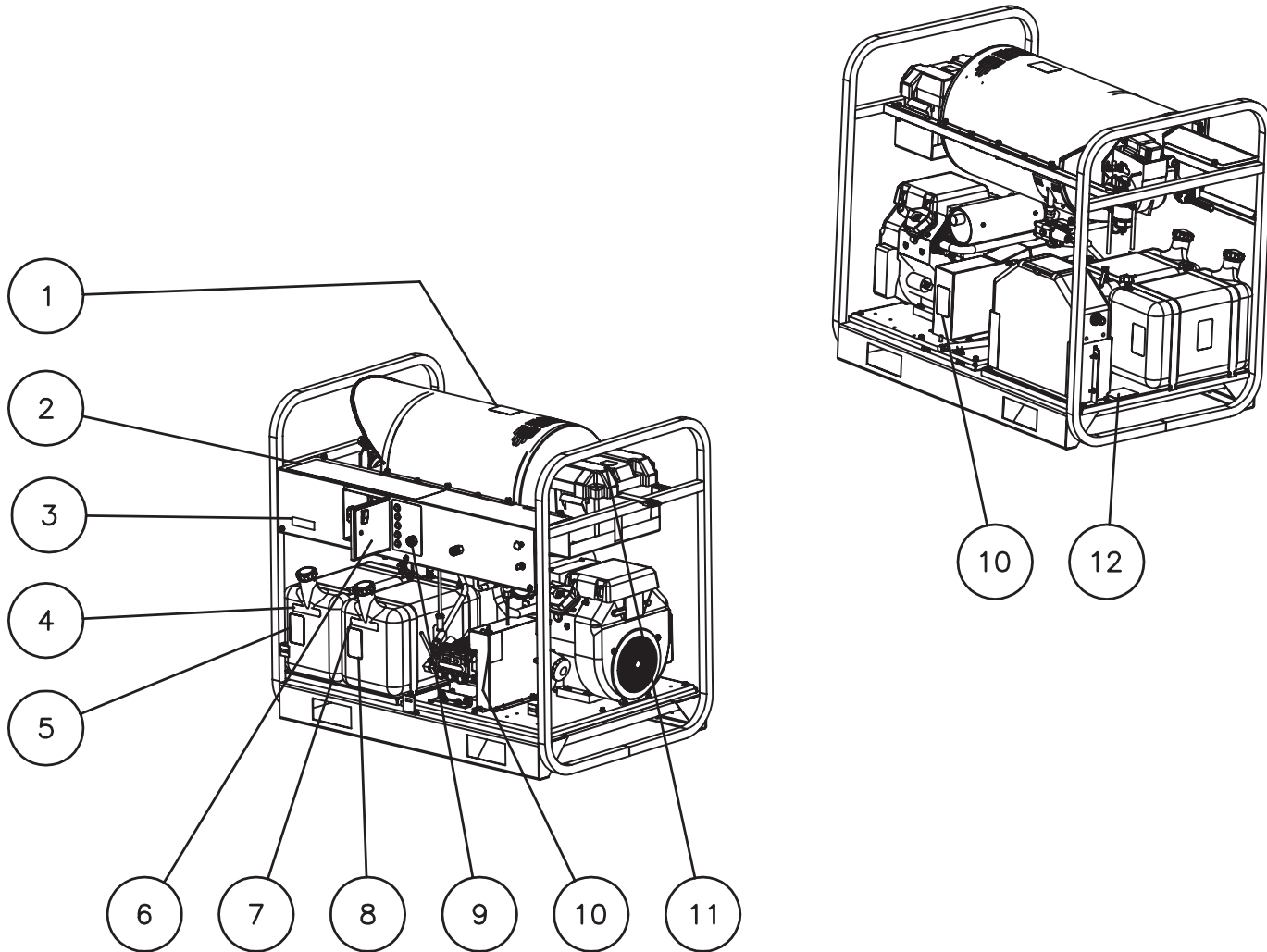
The water is then drawn through the WATER STRAINER (6) and into the TRIPLEX HIGH PRESSURE PUMP (7) which has an UNLOADER (9) that bypasses the water when the trigger gun is closed. To protect the pump from heated water during this bypass stage, a HEAT DUMP VALVE (10) will open at 140°F/60°C allowing the heated water to escape. The Heat Dump Valve automatically resets when the water cools. The EASY START VALVE (8) will allow the engine to start without a load. The water recirculates until pressure builds up and forces the seat closed. The BURNER CONTROL PRESSURE SWITCH (11) controls the fuel supply to the burner.

From there, the water flows through HEAT EXCHANGER INLET (13) where it is heated when the burner is on. As the water exits the HEAT EXCHANGER OUTLET (14), it enters a safety system which protects the operator from danger. The system also contains a HI-LIMIT TEMPERATURE SWITCH (15) which senses the water temperature and shuts off the fuel supply to the burner if the water gets too hot. If the unloader fails to bypass water or the burner remains on when the trigger gun is closed, the SAFETY RELIEF (12) will relieve and allow water to exit safely.

The heated water then flows through the HIGH PRESSURE HOSE (16) and to the TRIGGER GUN ASSEMBLY (17) which allows the operator to control the water spray. When the trigger gun is open, the water flows through the ADJUSTABLE PRESSURE DUAL LANCE (18) and exits the NOZZLE (19).

**FUEL FLOW:** The Fuel Pump draws fuel from the FUEL TANK (20) through a replaceable FUEL FILTER/WATER SEPARATOR (21) and into the FUEL PUMP (22). Fuel exits the fuel pump, into a FUEL SOLENOID VALVE (23) which controls fuel flow to the FUEL NOZZLE (24) where it ignites and burns in the heat exchanger. The engine is operated by fuel drawn from the GAS TANK (25).

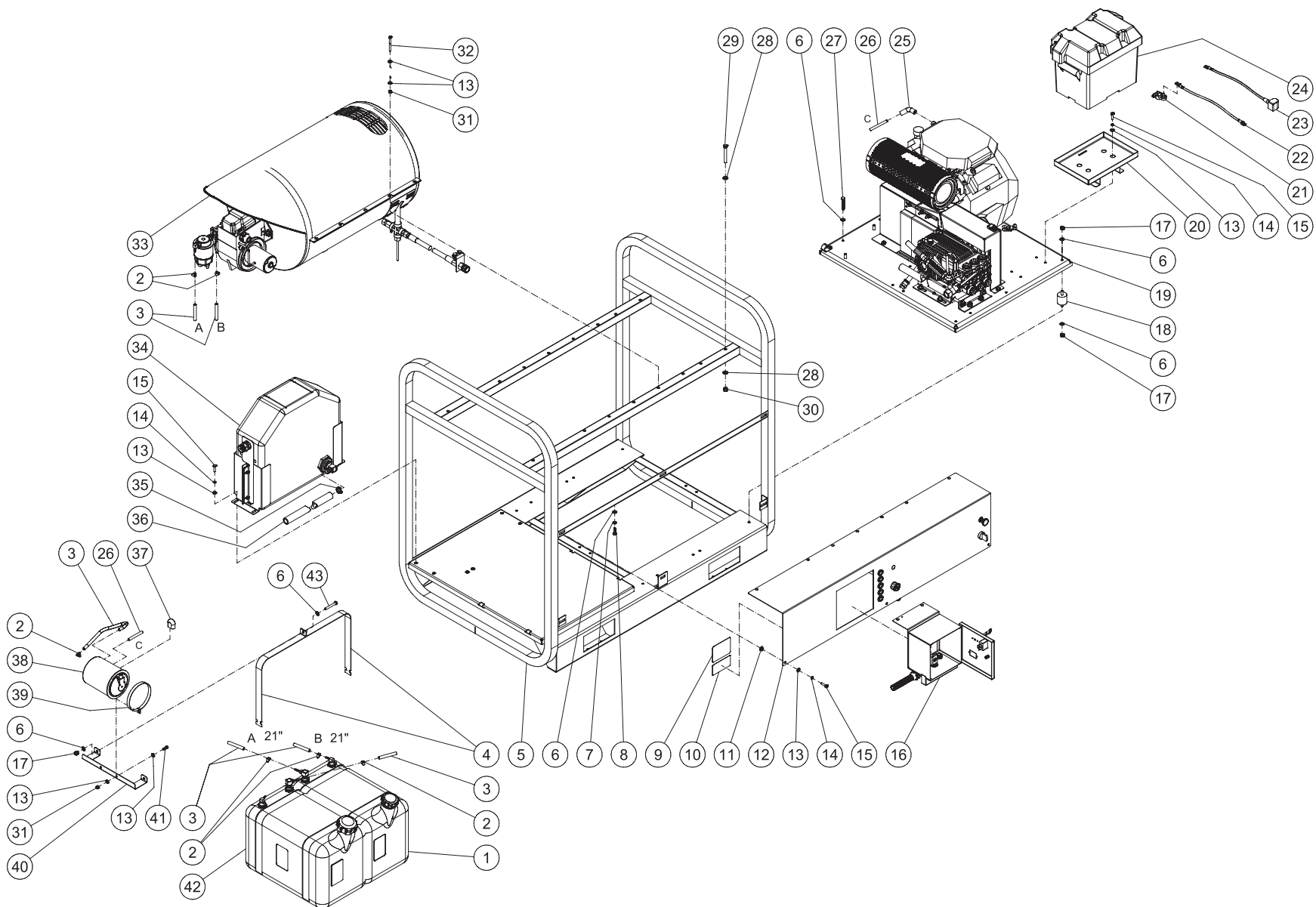
# SAFETY DECAL PLACEMENT



HDC SAFETY DECAL PLACEMENT AND SPECS-040609-CH

HDC SAFETY DECAL PLACEMENT-040609-CH			
SAFETY DECAL PLACEMENT			
REF. #	DESCRIPTION	PART #	QTY.
1	Decal- Warning: Hot Surface (See 71-0036)	N/A Sep.	1
2	Decal- Warning/Caution/Operation (See 71-0036)	N/A Sep.	1
3	Die Cut- 3005 (HDC-3005)	34-2214	1
-	Die Cut- 3505 (HDC-3505)	34-2215	1
-	Die Cut- 4004 (HDC-4004)	34-2216	1
4	Decal- Gasoline Only (See 71-0036)	N/A Sep.	1
5	Decal- Caution: Risk of Fire- Do not use Diesel or Fuel Oil (See 71-0036)	N/A Sep.	1
6	Decal- Electrical Box w/Burner (See 71-0036)	N/A Sep.	1
7	Decal- Diesel Only (See 71-0036)	N/A Sep.	1
8	Decal- Caution: Risk of Fire- Do not use Gasoline (See 71-0036)	N/A Sep.	1
9	Decal- Nozzles (See 71-0036)	N/A Sep.	1
10	Decal- Warning: Risk of Injury- Exposed Pulleys (See 71-0036)	N/A Sep.	2
11	Decal- Caution: Disconnect Battery (See 71-0036)	N/A Sep.	1
12	Decal- Data Plate	N/A	1
	Safety Decal Kit (Includes 1-2, 4-11)	71-0036	

# UNIT ASSEMBLY



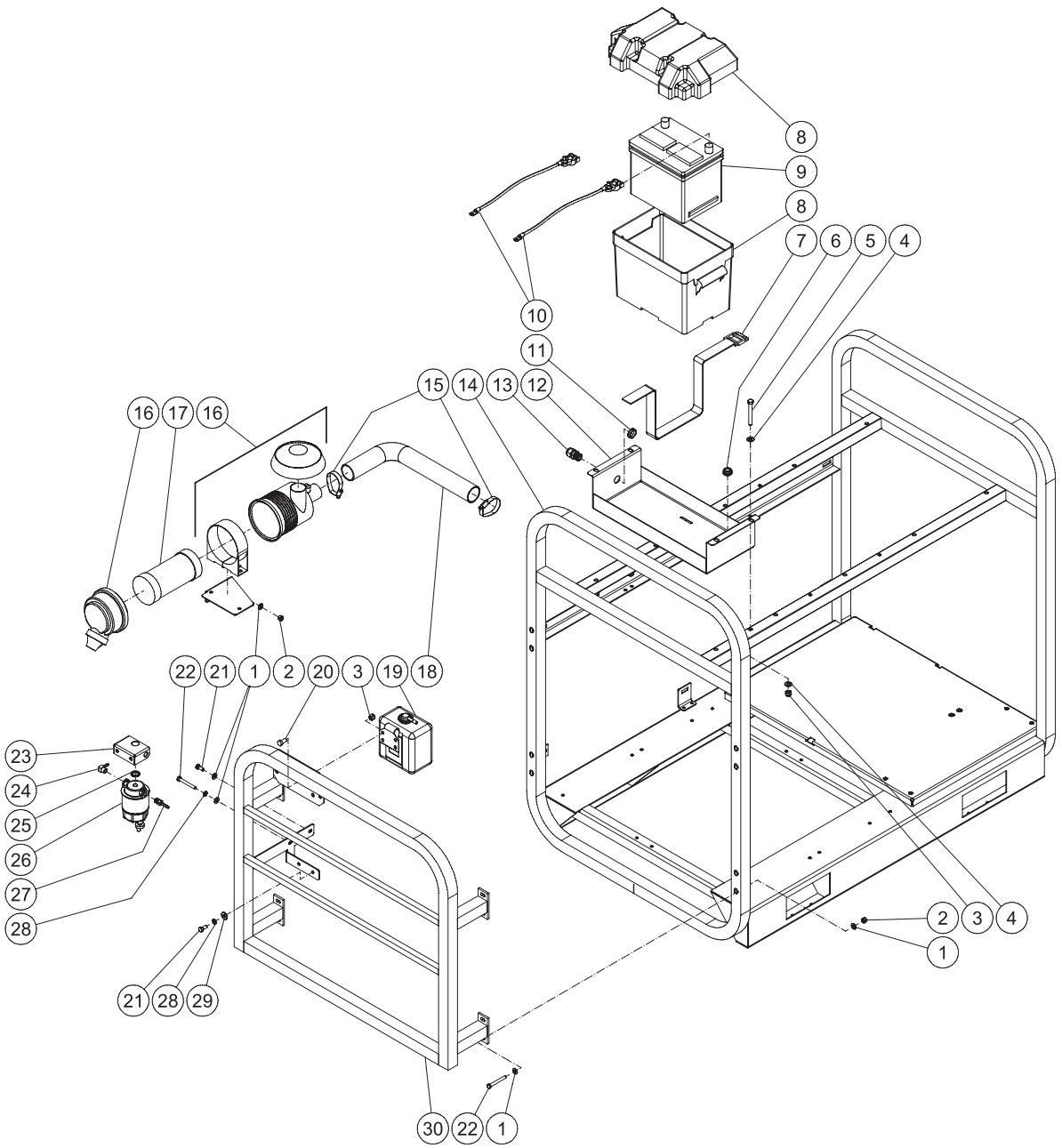
HDC UNIT ASSEMBLY-070512-CH



UNIT ASSEMBLY

ITEM	DESCRIPTION	PART #	QTY	ITEM	DESCRIPTION	PART #	QTY
1	BURNER FUEL TANK ASSEMBLY	N/A	1	21	BATTERY END	32-0066	2
2	CLAMP WORM	42-0004	6	22	CABLE	32-9113	1
-	CLAMP WORM (DIESEL)	42-0004	6	23	CABLE	32-9114	1
3	FUEL HOSE *(ELEVEN FEET REQUIRED)	15-0008	1	24	BATTERY BOX	33-0093	1
-	FUEL HOSE *(FOUR FEET REQUIRED) (DIESEL)	15-0261	1	25	AIR CLEANER ADAPTER (GASOLINE MODELS)	62-0229	1
4	TANK STRAP	20-0585A18	4	26	FUEL HOSE *(SEVEN FEET REQUIRED) (GASOLINE MODELS)	15-0261	1
5	FRAME	5-0275A18	1	27	BOLT	27-0071	2
-	FRAME ASSEMBLY (DIESEL) (0B7G)	N/A	1	28	WASHER	28-0004	16
6	WASHER	28-0003	24	29	BOLT	27-0576	8
7	LOCKWASHER	29-0007	2	30	LOCKNUT	30-0159	8
8	BOLT	27-0067	2	31	LOCKNUT	30-0155	6
9	DECAL - DATA PLATE	N/A	1	32	BOLT	27-0022	4
10	DECAL- SILVER STICKER	N/A	1	33	HEAT EXCHANGER ASSEMBLY (3005/3505)	N/A	1
11	CLIP NUT	30-6027	3	-	HEAT EXCHANGER ASSEMBLY (4004)	N/A	1
12	CONTROL PANEL ASSEMBLY	N/A	1	34	FLOAT TANK ASSEMBLY	N/A	1
-	CONTROL PANEL ASSEMBLY (DIESEL) (0B7G)	N/A	1	35	HOSE CLAMP	42-0003	1
13	WASHER	28-0002	23	36	HOSE *(TWO FEET REQUIRED)	15-0033	1
14	LOCKWASHER	29-0006	11	37	BREATHER VENT COVER (GASOLINE MODELS)	62-0218	1
15	BOLT	27-0016	11	38	CARB CANISTER (GASOLINE MODELS)	62-0212	1
16	ELECTRIC BOX ASSEMBLY	N/A	1	39	CARB CANISTER STRAP (GASOLINE MODELS)	20-1187A01	2
17	LOCKNUT	30-0157	20	40	CARB CANISTER MOUNT (GASOLINE MODELS)	20-1197A18	1
18	ISOLATOR	14-0110	8	41	BOLT	27-0015	2
-	ISOLATOR (DIESEL)	14-0095	8	42	GAS TANK ASSEMBLY	N/A	1
19	ISOLATION PLATE ASSEMBLY	N/A	1	-	DIESEL FUEL TANK ASSEMBLY (DIESEL)	N/A	1
-	ISOLATION PLATE ASSEMBLY (DIESEL) (0B7G)	N/A	1	43	BOLT	27-0072	2
20	BATTERY TRAY	20-1135A18	1	*MUST ORDER IN ONE FOOT LENGTHS			

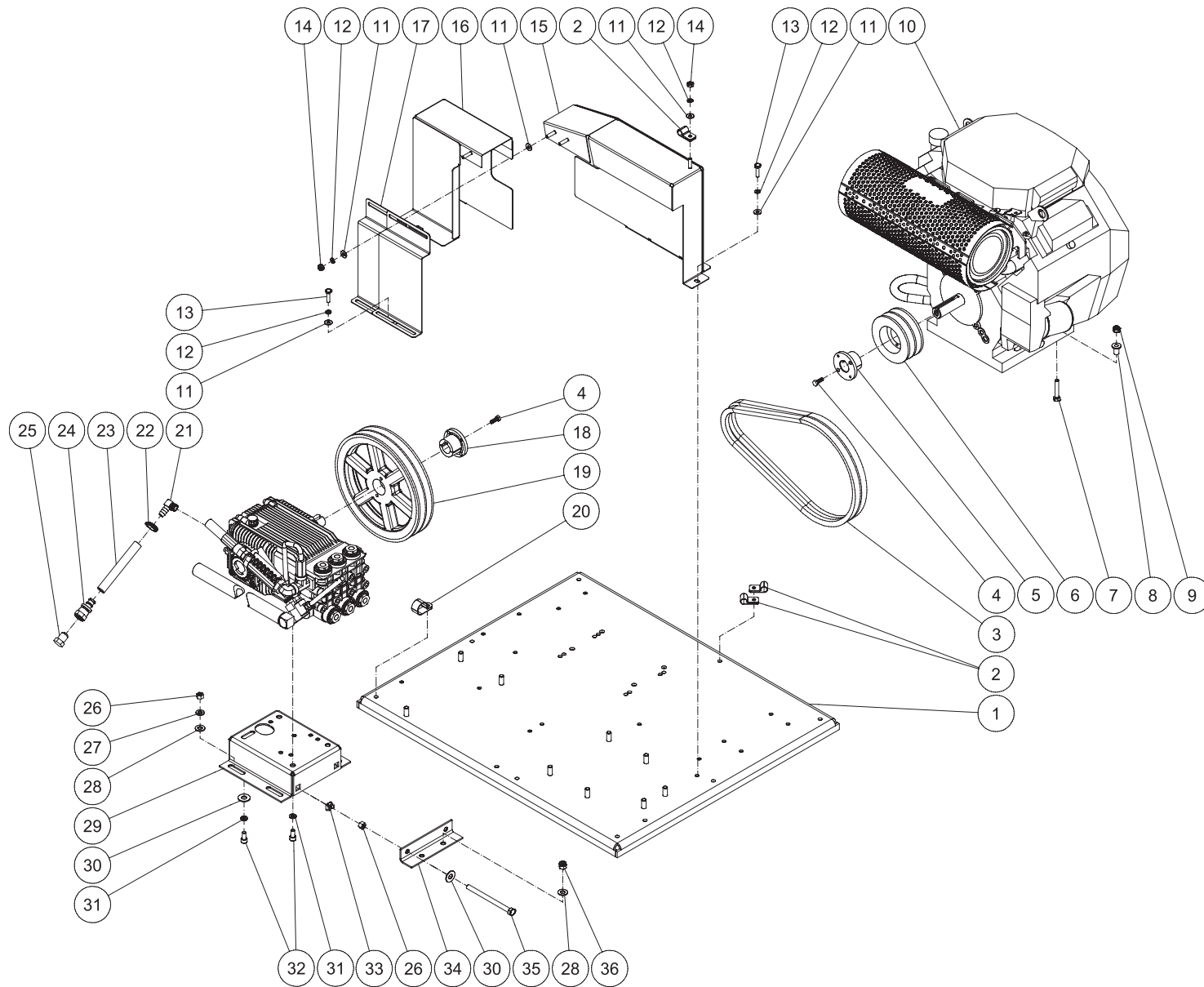
# FRAME ASSEMBLY (HDC-3505-0B7G)



KUBOTA SKID FRAME ASSEMBLY HDS HS HVS HDC 070211

KUBOTA SKID FRAME ASSEMBLY (HDS HVS HS HDC) 072111 CH			
FRAME ASSEMBLY			
ITEM	DESCRIPTION	PART #	QTY
1	WASHER	28-0003	20
2	LOCKNUT	30-0157	10
3	LOCKNUT	30-0159	6
4	WASHER	28-0004	8
5	BOLT	27-0576	4
6	GROMMET	33-0001	2
7	STRAP	33-0089	1
8	BATTERY BOX	33-0093	1
9	BATTERY	N/A	1
10	BATTERY CABLE (W/ ENGINE)	N/A	2
11	ELECTRICAL LOCKNUT	32-0108	1
12	BATTERY BOX TRAY	20-0872A18	1
13	STRAIN RELIEF	32-0437	1
14	FRAME	5-0313A18	1
15	HOSE CLAMP	42-0027	2
16	AIR CLEANER HOUSING (W/ENGINE)	N/A	1
17	AIR FILTER (W/ENGINE)	45-0122	1
18	HOSE	15-0262	1
19	RADIATOR OVER FLOW (W/ ENGINE)	45-0121	1
20	BOLT	27-0116	2
21	BOLT	27-0066	3
22	BOLT	27-0073	9
23	FUEL FILTER BRACKET	20-0873A18	1
24	ELBOW	23-0054	1
25	GARDEN HOSE GASKET	26-0001	1
26	FUEL FILTER / WATER SEPERATOR	19-0070	1
27	BARB	23-0051	1
28	LOCKWASHER	29-0007	3
29	WASHER	28-0022	4
30	FRAME EXTENSION	5-0276A18	1

# ISOLATION PLATE (HDC-3005/4004) (HDC-3505-0V6G/1H6G/0K6G) (AFTER SERIAL #15011230)

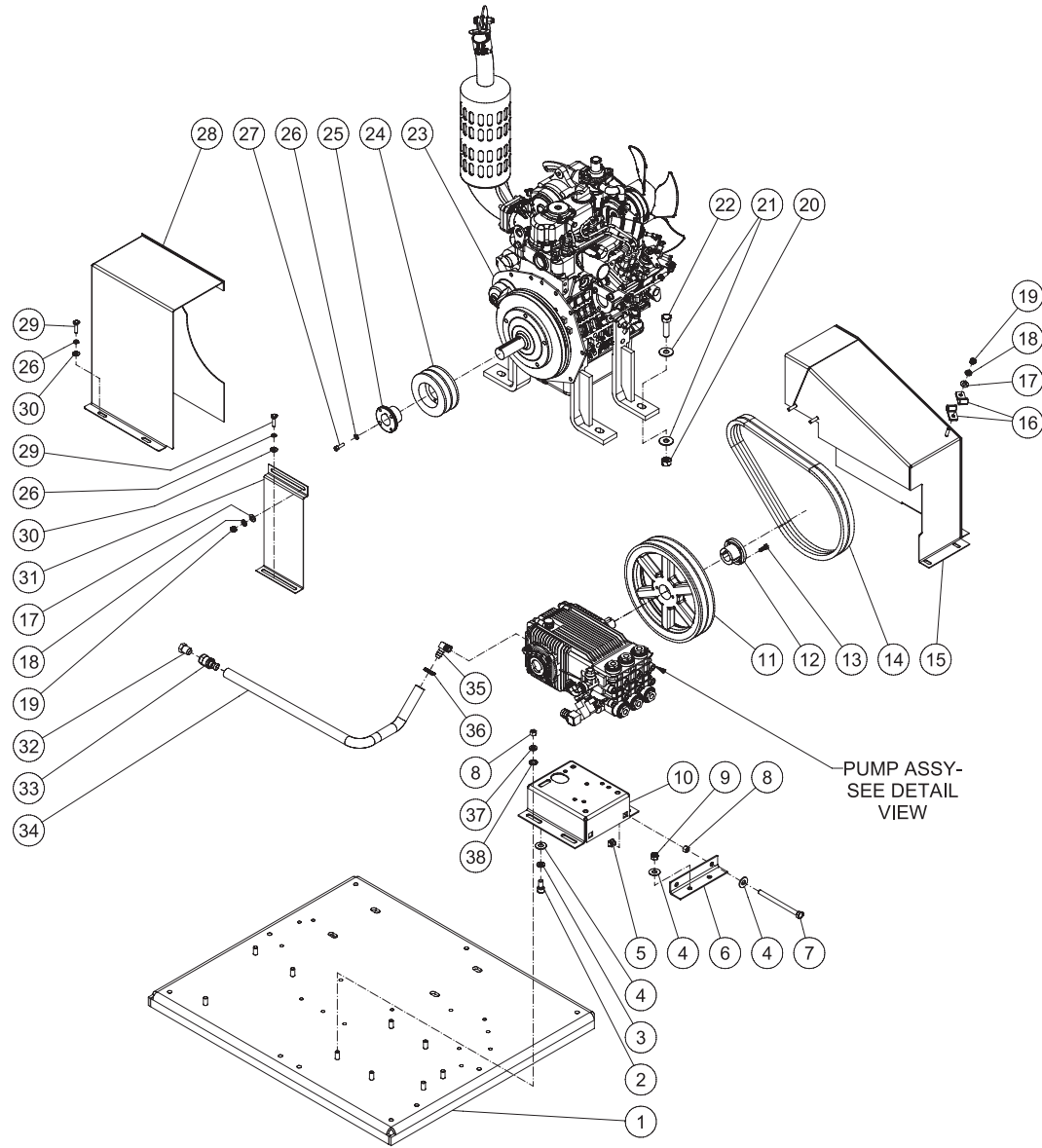


HDC ISOLATION PLATE 052710

ISOLATION PLATE							
ITEM	DESCRIPTION	PART #	QTY	ITEM	DESCRIPTION	PART #	QTY
1	ISOLATION PLATE	05-0170A18	1	15	PUMP BELTGUARD	06-0092A18	1
2	CLIP	43-0003	3	16	BELTGUARD	20-0690A18	1
3	BELT (3005/3505)	11-0052	2	17	BELTGUARD COVER	20-0589A18	2
-	BELT (4004)	11-0050	2	18	BUSHING	9-0017	1
4	BOLT	27-0015	4	19	SHEAVE (3005/3505)	10-0037	1
5	BUSHING (HDC-3005/3505/4004-0V6G/3505/4004-0H6G)	9-0005	1	-	SHEAVE (4004)	10-0012	1
-	BUSHING (HDC-3505-0K6G)	9-0007	1	20	CLIP	33-0291	1
-	BUSHING (HDC-3005-0K6G)	9-0010	1	21	ELBOW	23-0119	1
6	SHEAVE	10-0125	1	22	HOSE CLAMP	42-0011	1
7	BOLT (HONDA/VANGUARD ONLY)	27-0070	4	23	HOSE *(TWO FEET REQUIRED)	15-0007	1
-	BOLT (KOHLER ONLY)	27-0120	4	24	HOSE BARB	23-0360	1
8	ENGINE SHIM (HONDA ONLY)	33-0169	4	25	PLUG	23-0411	1
-	WASHER (KOHLER ONLY)	28-0004	4	26	NUT	30-0006	6
-	WASHER (VANGUARD ONLY)	28-0003	4	27	LOCKWASHER	29-0008	4
9	LOCKNUT (HONDA/VANGUARD ONLY)	30-0157	4	28	WASHER	28-0004	6
-	LOCKNUT (KOHLER ONLY)	30-0159	4	29	PUMP HAT	05-0153A18	1
10	GX630 HONDA ENGINE (HDC-3505-1H6G; HDC-4004-1H6A)	850-0393	1	30	WASHER	28-0023	3
-	20 HP KOHLER ENGINE (HDC-3505/4004-0K6G)	850-0333	1	31	LOCKWASHER (GENERAL MODELS)	29-0054	4
-	18 HP KOHLER ENGINE (HDC-3005-0K6G)	850-0332	1	-	LOCKWASHER (A/R MODELS)	29-0055	4
-	16 HP VANGUARD ENGINE (HDC-3005-0V6G)	850-0330	1	32	BOLT (GENERAL MODELS)	27-8884	4
-	21 HP VANGUARD ENGINE (HDC-3505/4004-0V6G)	850-0331	1	-	BOLT (A/R MODELS)	27-8471	4
11	WASHER	28-0002	12	33	CLIP NUT	30-6025	2
12	LOCKWASHER	29-0006	10	34	TENSION BRACKET	20-0584A18	1
13	BOLT	27-0016	6	35	BOLT	27-0133	2
14	NUT	30-0002	4	36	LOCKNUT	30-0159	2

\*MUST ORDER IN ONE FOOT LENGTHS

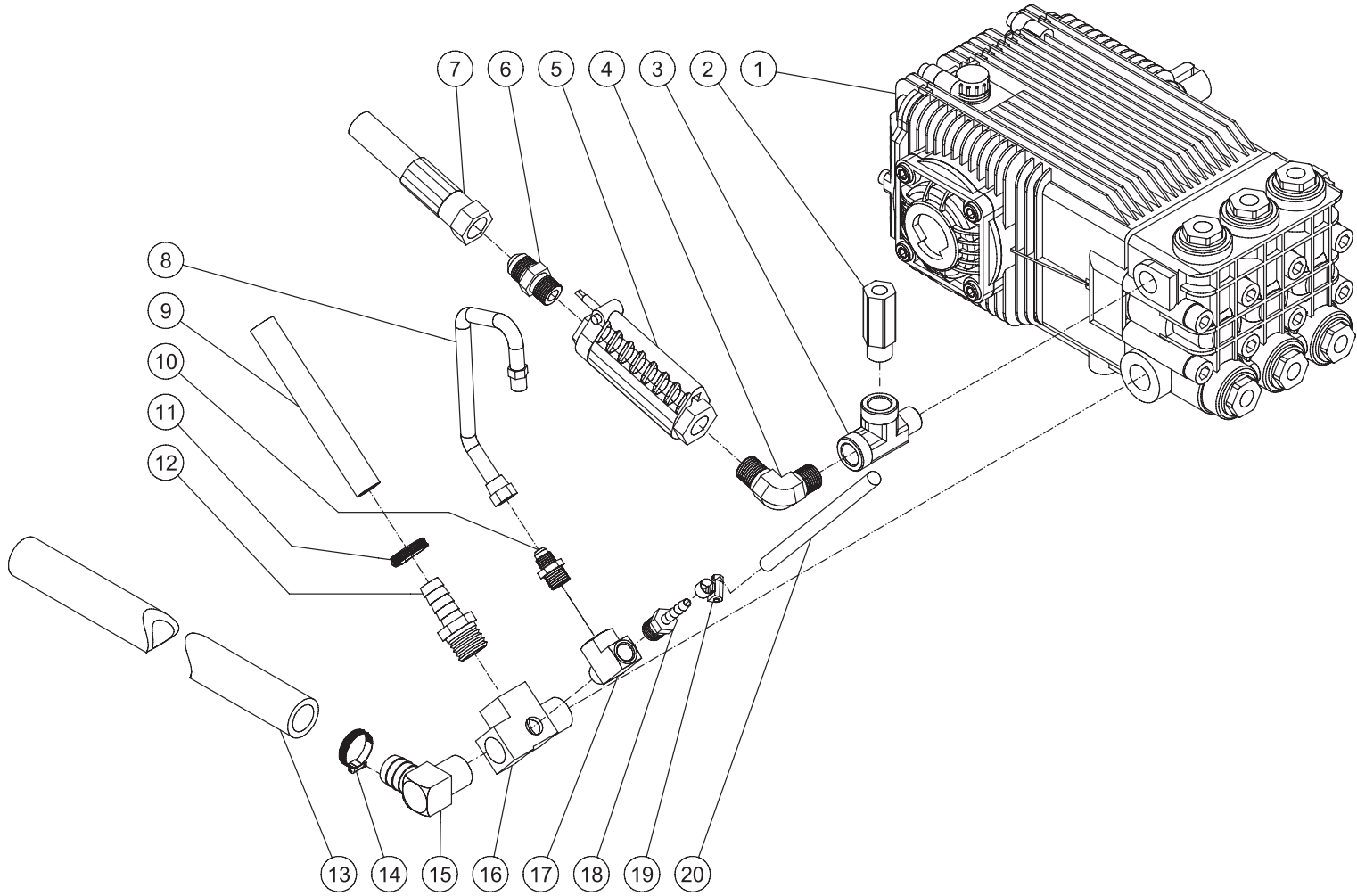
# ISOLATION PLATE (HDC-3505-0B7G)



HDC KUBOTA ISO PLATE 012508 CH

ISOLATION PLATE (HDC-3505-0B7G)							
ITEM	DESCRIPTION	PART #	QTY	ITEM	DESCRIPTION	PART #	QTY
1	ISOLATION PLATE	5-0257A18	1	20	NUT	30-0163	4
2	BOLT	27-8471	4	21	WASHER	28-0024	8
3	LOCKWASHER	29-0055	4	22	BOLT	27-0219	4
4	WASHER	28-0023	8	23	ENGINE	850-0358	1
5	CLIP NUT	30-6025	2	24	SHEAVE	10-0125	1
6	TENSION BRACKET	20-0584A18	1	25	BUSHING	9-0010	1
7	BOLT	27-0133	2	26	LOCKWASHER	29-0006	10
8	NUT	30-0006	6	27	BOLT	27-0771	2
9	LOCKNUT	30-0159	2	28	BELTGUARD	6-0123A18	1
10	PUMP HAT	5-0262A18	1	29	BOLT	27-0016	8
11	SHEAVE	10-0037	1	30	WASHER	28-0002	8
12	BUSHING	9-0017	1	31	BELTGUARD COVER	6-0122A18	1
13	BOLT	27-0015	2	32	PLUG	23-0411	1
14	BELT	11-0052	2	33	HOSE BARB	23-0360	1
15	PUMP BELTGUARD	6-0120A18	1	34	HOSE *(TWO FEET REQUIRED)	15-0007	1
16	CLIP	43-0003	2	35	ELBOW	23-0119	1
17	WASHER	28-0003	3	36	HOSE CLAMP	42-0011	1
18	LOCKWASHER	29-0007	3	37	LOCKWASHER	29-0008	4
19	NUT	30-0002	3	38	WASHER	28-0030	4

# PUMP PLUMBING



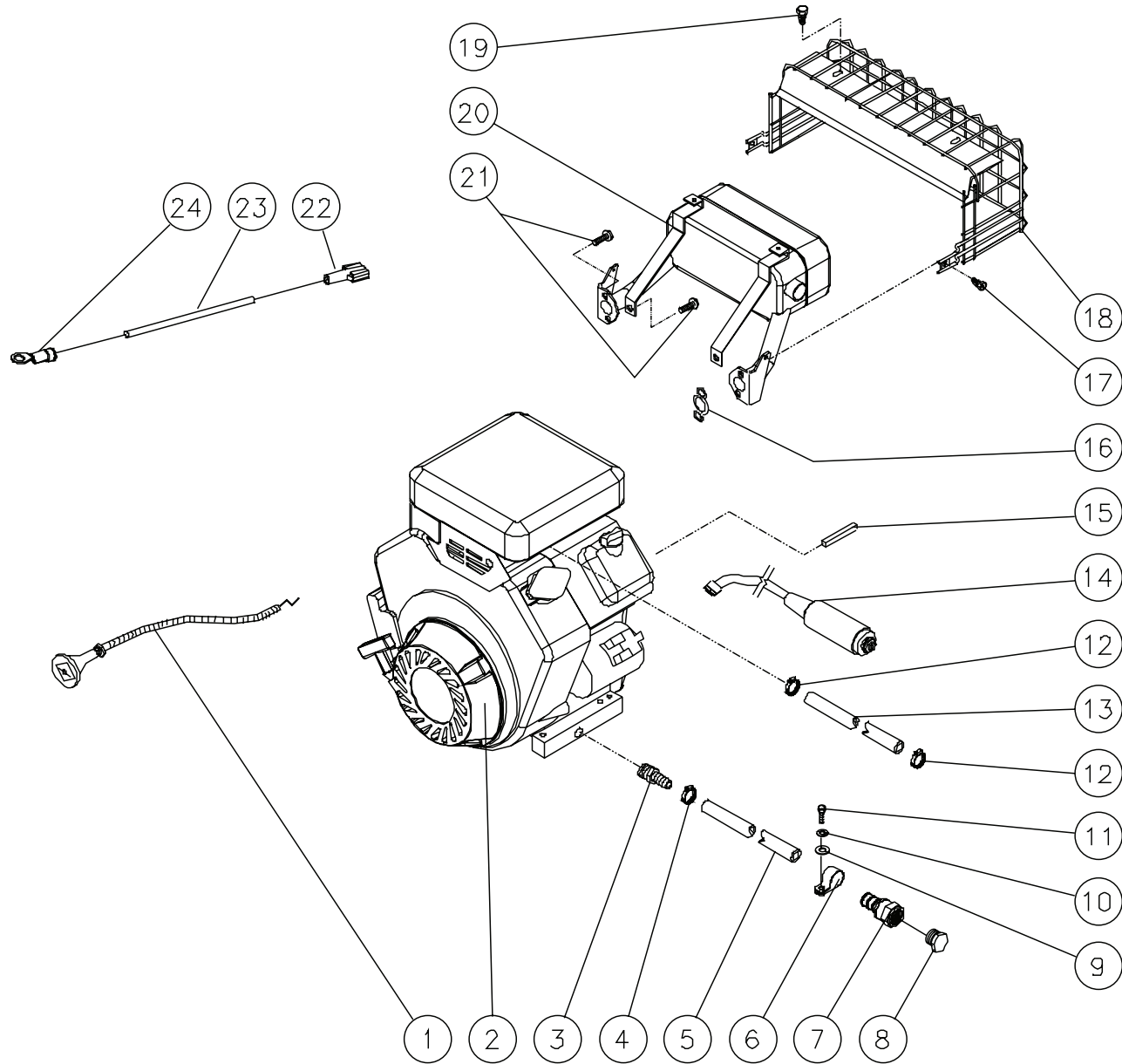
HDCPLUMBING-121307-CH



HDC PLUMBING DIAGRAM-121307-CH

PUMP PLUMBING			
REF. #	DESCRIPTION	PART #	QTY.
1	Pump (HDC-4004)	3-0213	1
-	Pump (HDC-3005/3505)	3-0202	1
2	Easy Start Valve (HDC-4004)	22-0242	1
3	Street Tee (HDC-4004)	23-0058	1
4	Elbow	24-0131	1
5	Flow Switch	22-0428	1
6	Nipple	24-0002	1
7	High Pressure Hose Assembly	15-0221	1
8	By-pass Hose (HDC-4004)	15-0140	1
9	Hose *(Five Feet Required)	15-0007	1
10	Nipple (HDC-4004)	23-0247	1
11	Hose Clamp	42-0011	1
12	Hose Barb	23-0045	1
13	Hose *(Three Feet Required)	15-0033	1
14	Hose Clamp	42-0003	1
15	Elbow	23-0037	1
16	Street Tee	23-0388	1
17	Street Tee (HDC-4004)	23-0127	1
18	Hose Barb	23-0051	1
19	Clamp Worm	42-0004	1
20	Hose *(Two Feet Required)	15-0079	1
*Must Order in One Foot Lengths			

# ENGINE ASSEMBLY (850-0330)



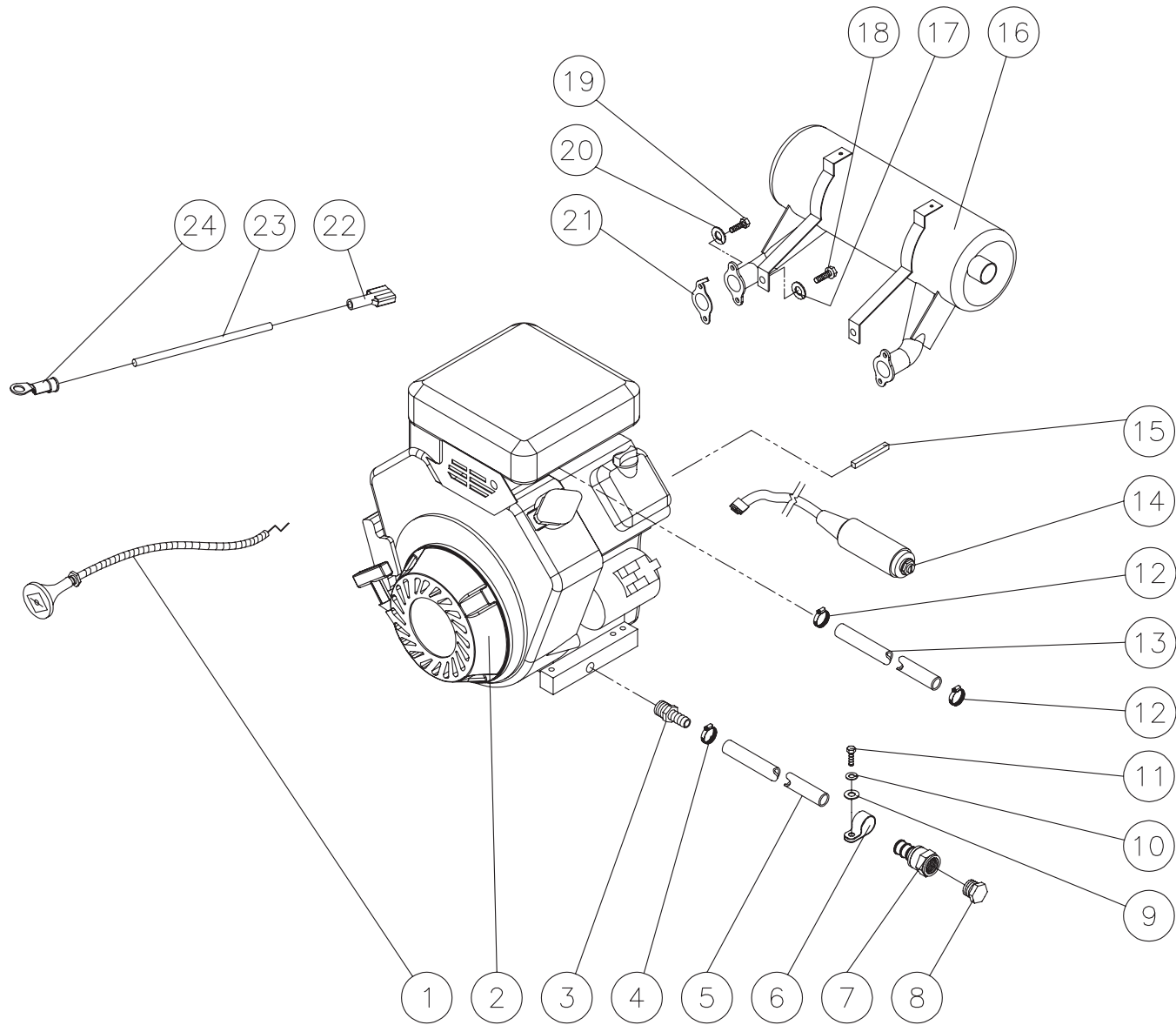
850-0330-050703-KZ

## ENGINE ASSEMBLY (850-0330)

REF #	DESCRIPTION	PART #	QTY	REF #	DESCRIPTION	PART #	QTY
1	Choke Cable	33-0081	1	13	Hose *(Six Feet Required)	15-0008	1
2	Engine- 16 HP Vanguard	1-0138	1	14	Key Switch Assembly	850-0302	1
3	Hose Barb	23-0105	1	15	Key	43-0078	1
4	Clamp Worm	42-0011	1	16	Gasket w/Muffler	45-0066	2
5	Hose *(One Foot Required)	15-0007	1	17	Screw w/Muffler	27-8966	2
6	Tube Clip	33-0291	1	18	Muffler Guard w/Muffler	45-0067	1
7	Hose Barb	23-0360	1	19	Screw w/Washer	27-8967	2
8	Plug	23-0411	1	20	Muffler	45-0064	1
9	Washer	28-0002	1	21	Screw w/Muffler	27-8968	4
10	Lockwasher	29-0006	1	22	Terminal	32-0221	1
11	Screw	27-0015	1	23	Wire- Red *(Three Feet Required)	32-0092	1
12	Clamp Worm	42-0004	2	24	Terminal Ring	32-0099	1

\*Must Order in One Foot Lengths

# ENGINE ASSEMBLY (850-0331)



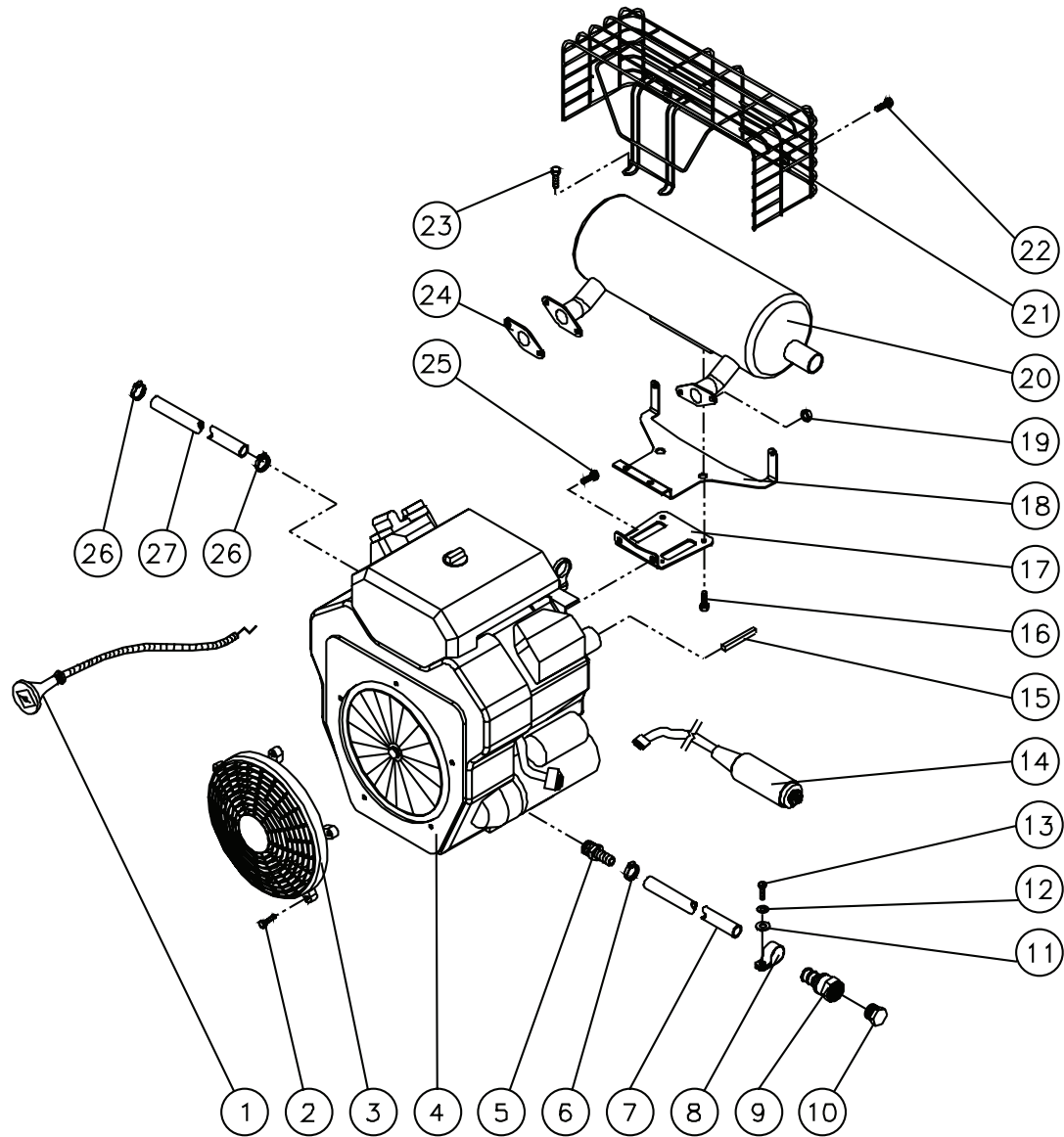
850-0331-121205-FRZ

## ENGINE ASSEMBLY (850-0331)

REF #	DESCRIPTION	PART #	QTY	REF #	DESCRIPTION	PART #	QTY
1	Choke Cable	33-0081	1	13	Hose *(Six Feet Required)	15-0008	1
2	Engine- 21HP Vanguard	1-0139	1	14	Key Switch Assembly	850-0302	1
3	Hose Barb	23-0105	1	15	Key	43-0078	1
4	Clamp Worm	42-0011	1	16	Muffler	45-0075	1
5	Hose *(One Foot Required)	15-0007	1	17	Lockwasher (See 45-0075)	N/A Sep.	2
6	Tube Clip	33-0291	1	18	Bolt (See 45-0075)	N/A Sep.	2
7	Hose Barb	23-0360	1	19	Bolt (See 45-0075)	N/A Sep.	2
8	Plug	23-0411	1	20	Lockwasher (See 45-0075)	N/A Sep.	2
9	Washer	28-0002	1	21	Gasket (See 45-0075)	N/A Sep.	2
10	Lockwasher	29-0006	1	22	Terminal	32-0221	1
11	Screw	27-0015	1	23	Wire- Red *(Three Feet Required)	32-0092	1
12	Clamp Worm	42-0004	2	24	Terminal Ring	32-0099	1

\*Must Order in One Foot Lengths

# ENGINE ASSEMBLY (850-0332)

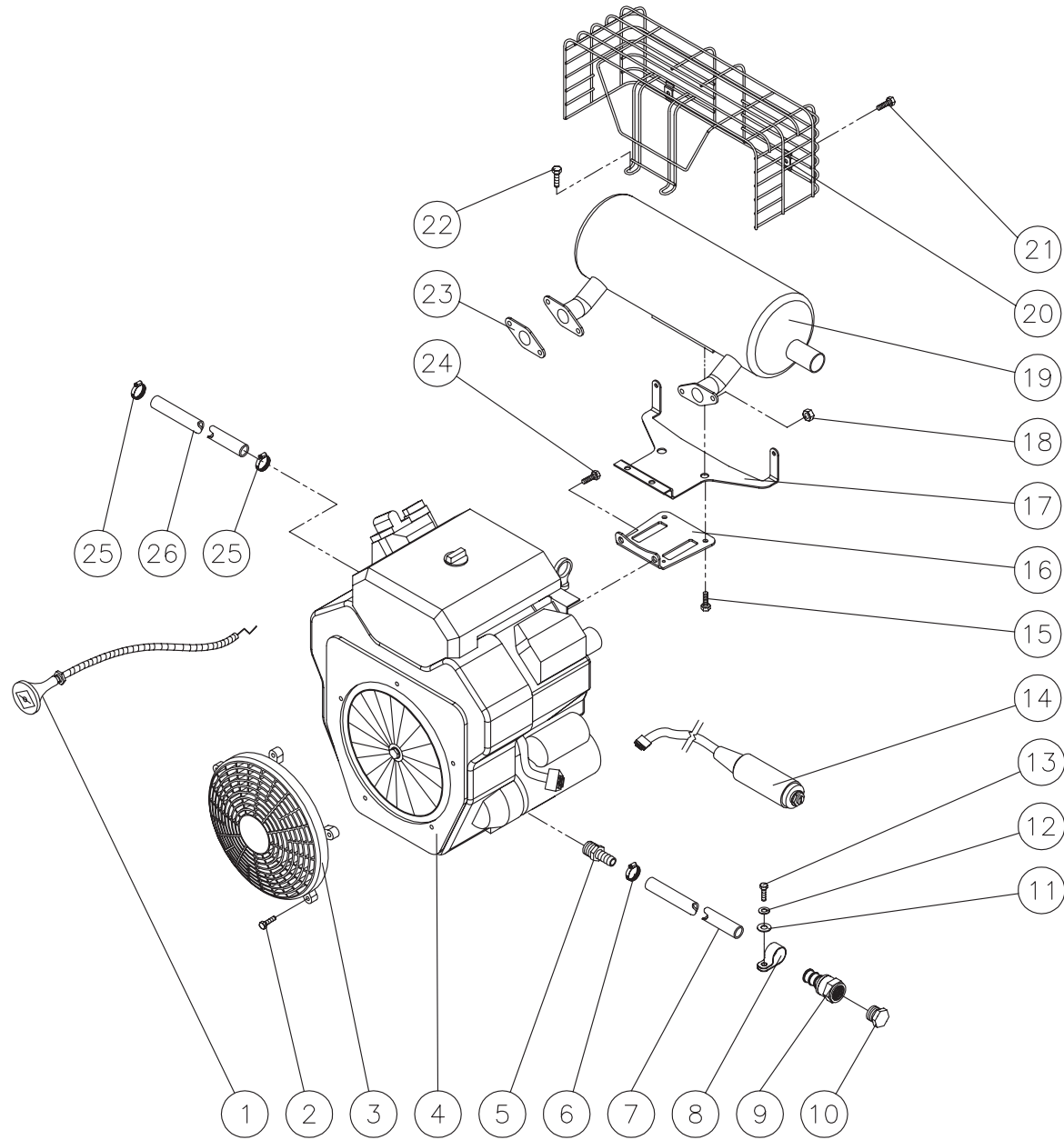


850-0332-042103-KZ

## ENGINE ASSEMBLY (850-0332)

REF #	DESCRIPTION	PART #	QTY	REF #	DESCRIPTION	PART #	QTY
1	Choke Cable	33-0081	1	15	Key	43-0078	1
2	Bolt (See 45-0072)	N/A Sep.	5	16	Bolt (See 45-0073)	N/A Sep.	2
3	Blower Housing Front Guard w/Engine	45-0072	1	17	Muffler Support (See 45-0073)	N/A Sep.	1
4	Engine- 18HP Kohler	1-0140	1	18	Muffler Guard Support (See 45-0077)	N/A Sep.	1
5	Hose Barb	23-0105	1	19	Nut (See 45-0073)	N/A Sep.	4
6	Clamp Worm	42-0011	1	20	Canister Muffler	45-0073	1
7	Hose *(One Foot Required)	15-0007	1	21	Muffler Guard	45-0077	1
8	Tube Clip	33-0291	1	22	Bolt (See 45-0077)	N/A Sep.	2
9	Hose Barb	23-0360	1	23	Bolt (See 45-0077)	N/A Sep.	2
10	Plug	23-0411	1	24	Gasket (See 45-0073)	N/A Sep.	2
11	Washer	28-0002	1	25	Bolt (See 45-0073)	N/A Sep.	2
12	Lockwasher	29-0006	1	26	Clamp Worm	42-0004	2
13	Screw	27-0015	1	27	Hose *(Three Feet Required)	15-0008	1
14	Key Switch Assembly	850-0299	1	*Must Order in One Foot Lengths			

# ENGINE ASSEMBLY (850-0333)

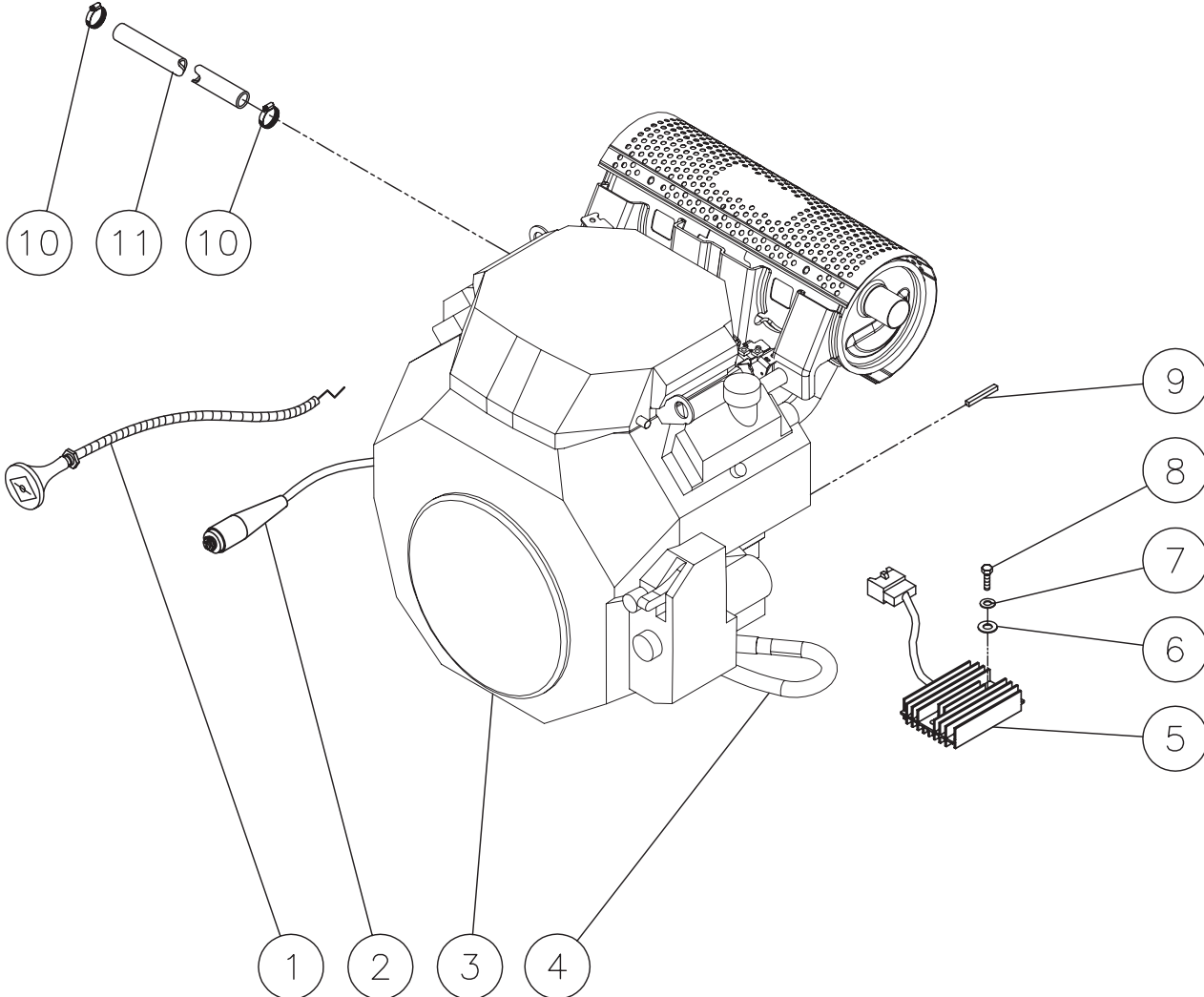


850-0333-090105-KZ



ENGINE ASSEMBLY (850-0333)							
REF #	DESCRIPTION	PART #	QTY	REF #	DESCRIPTION	PART #	QTY
1	Choke Cable	33-0081	1	14	Key Switch Assembly	850-0299	1
2	Bolt (See 45-0072)	N/A Sep.	5	15	Bolt (See 45-0073)	N/A Sep.	2
3	Blower Housing Front Guard w/Engine	45-0072	1	16	Muffler Support (See 45-0073)	N/A Sep.	1
4	Engine- 20HP Kolher	1-0141	1	17	Muffler Guard Support (See 45-0077)	N/A Sep.	1
5	Hose Barb	23-0105	1	18	Nut (See 45-0073)	N/A Sep.	4
6	Clamp Worm	42-0011	1	19	Canister Muffler	45-0073	1
7	Hose *(One Foot Required)	15-0007	1	20	Muffler Guard	45-0077	1
8	Tube Clip	33-0291	1	21	Bolt (See 45-0077)	N/A Sep.	2
9	Hose Barb	23-0360	1	22	Bolt (See 45-0077)	N/A Sep.	2
10	Plug	23-0411	1	23	Gasket (See 45-0073)	N/A Sep.	2
11	Washer	28-0002	1	24	Bolt (See 45-0073)	N/A Sep.	2
12	Lockwasher	29-0006	1	25	Clamp Worm	42-0004	2
13	Screw	27-0015	1	26	Hose *(Three Feet Required)	15-0008	1
*Must Order in One Foot Lengths							

ENGINE ASSEMBLY (850-0393/850-0394)



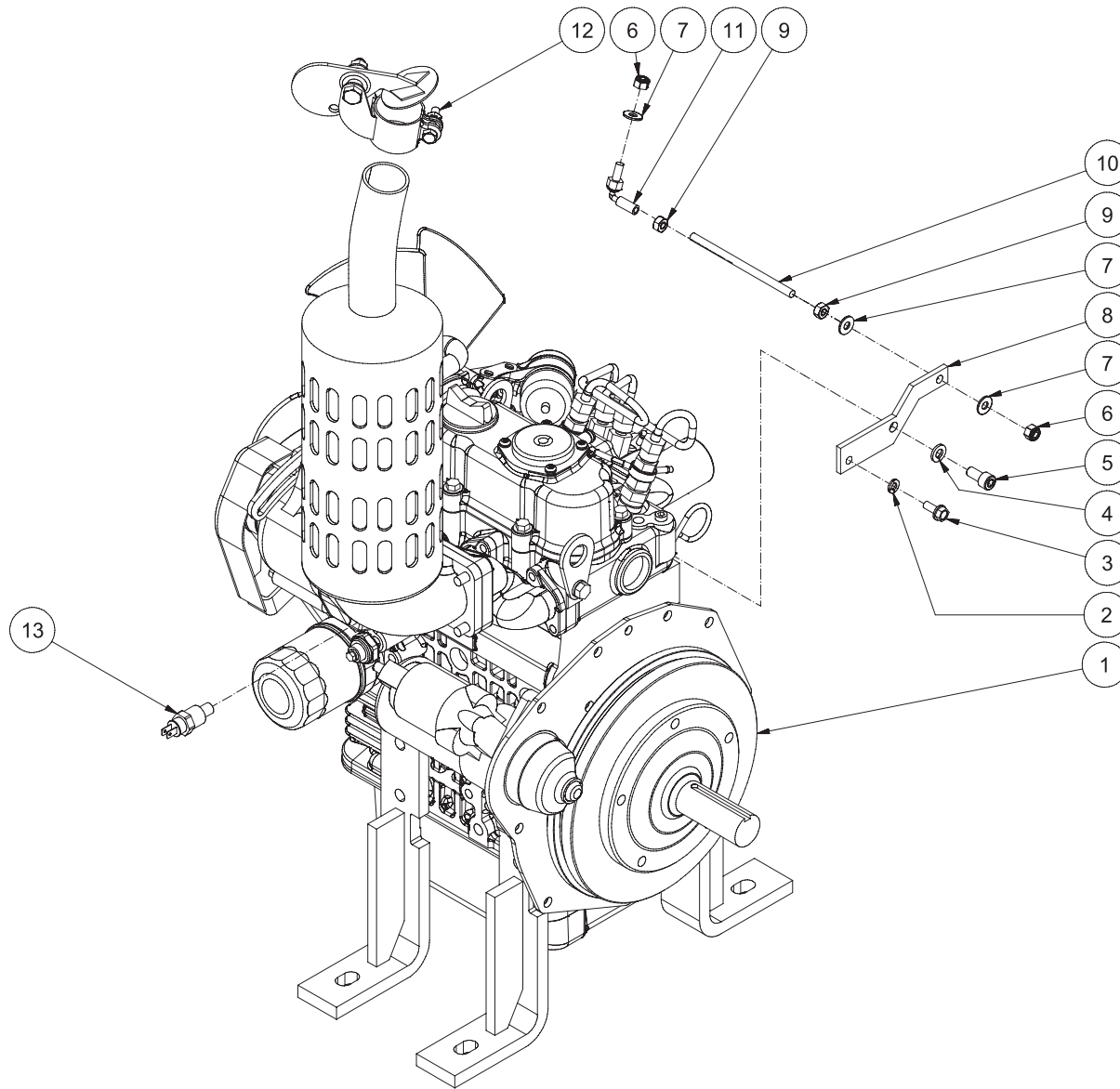
850-0393\_850-0394 040615

850-0393\_850-0394 040615 MLK

## ENGINE ASSEMBLY

REF.	DESCRIPTION	PART #	QTY.
1	CHOKE CABLE	33-0081	1
2	KEY SWITCH ASSEMBLY	45-0076	1
3	ENGINE (850-0393)	1-0186	1
-	ENGINE (850-0394)	1-0187	1
4	KIT/ENGINE OIL DRAIN	70-0555	1
5	RECTIFIER	N/A	1
6	WASHER	28-0002	2
7	LOCKWASHER	29-0006	2
8	SCREW	27-0016	2
9	KEY	43-0078	1
10	CLAMP	42-0004	2
11	HOSE *(FOUR FEET REQUIRED)	15-0008	1
*MUST ORDER IN ONE FOOT LENGTHS			

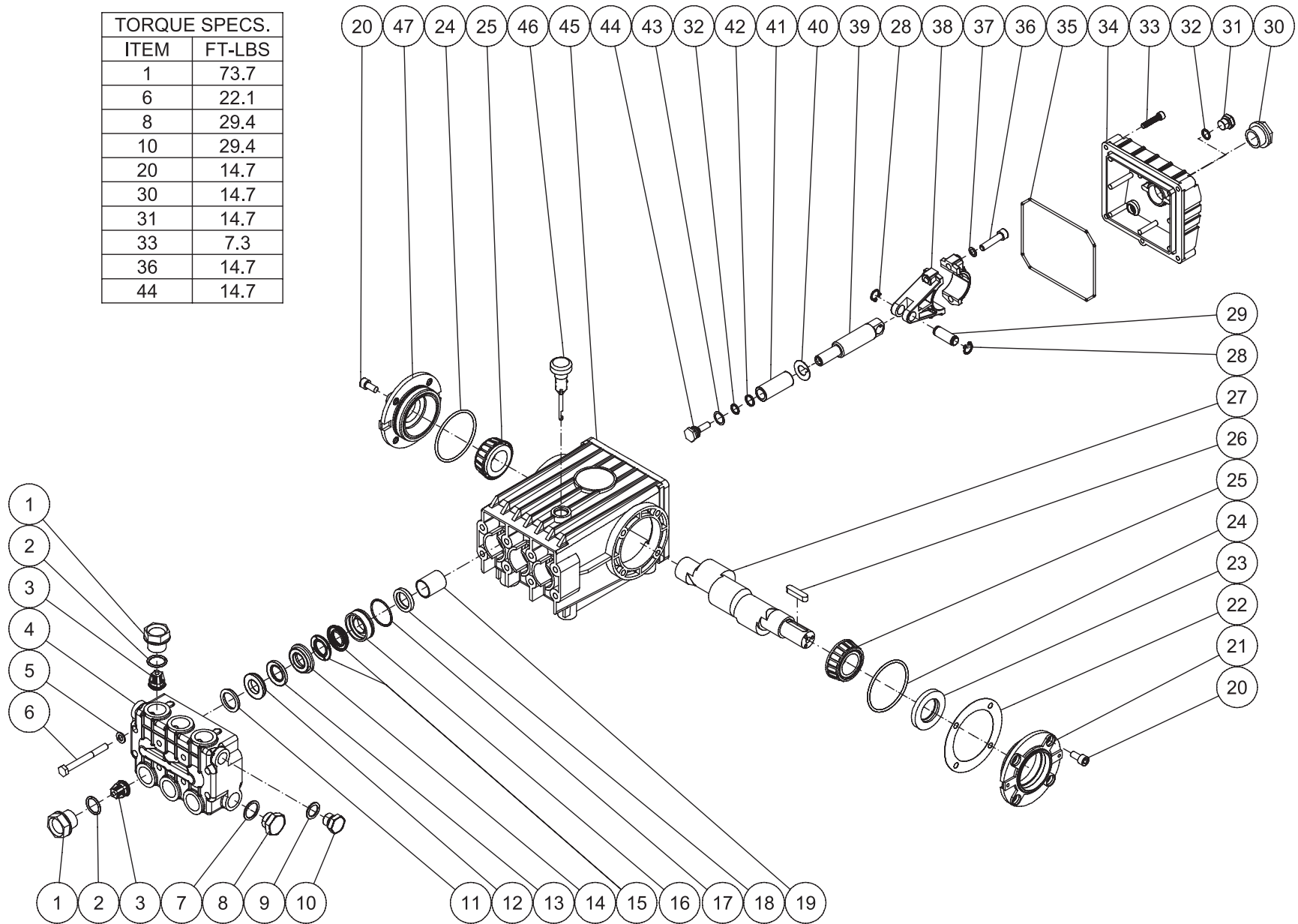
# ENGINE ASSEMBLY (850-0358)



850-0358-052312-JDK			
ENGINE ASSEMBLY (850-0358)			
REF #	DESCRIPTION	PART #	QTY
1	KUBOTA DIESEL ENGINE	1-0163	1
2	LOCKWASHER	29-0006	1
3	BOLT	27-8001	1
4	LOCKWASHER	29-0007	1
5	BOLT	27-8884	1
6	LOCKNUT	30-0155	2
7	WASHER	28-0002	3
8	THROTTLE PLATE	13-0177A18	1
9	HEX NUT	30-0002	2
10	THREADED ROD *(ONE FOOT REQUIRED)	54-0046	1
11	BALL JOINT LINKAGE	33-0440	1
12	MUFFLER RAIN CAP	33-0441	1
13	ENGINE TEMP SWITCH	45-0408	1
*MUST ORDER IN ONE FOOT LENGTHS			

# PUMP ASSEMBLY (3-0202) (AFTER SERIAL #15045000)

TORQUE SPECS.	
ITEM	FT-LBS
1	73.7
6	22.1
8	29.4
10	29.4
20	14.7
30	14.7
31	14.7
33	7.3
36	14.7
44	14.7



3-0202\_3-0203 082713 JDK

## PUMP ASSEMBLY

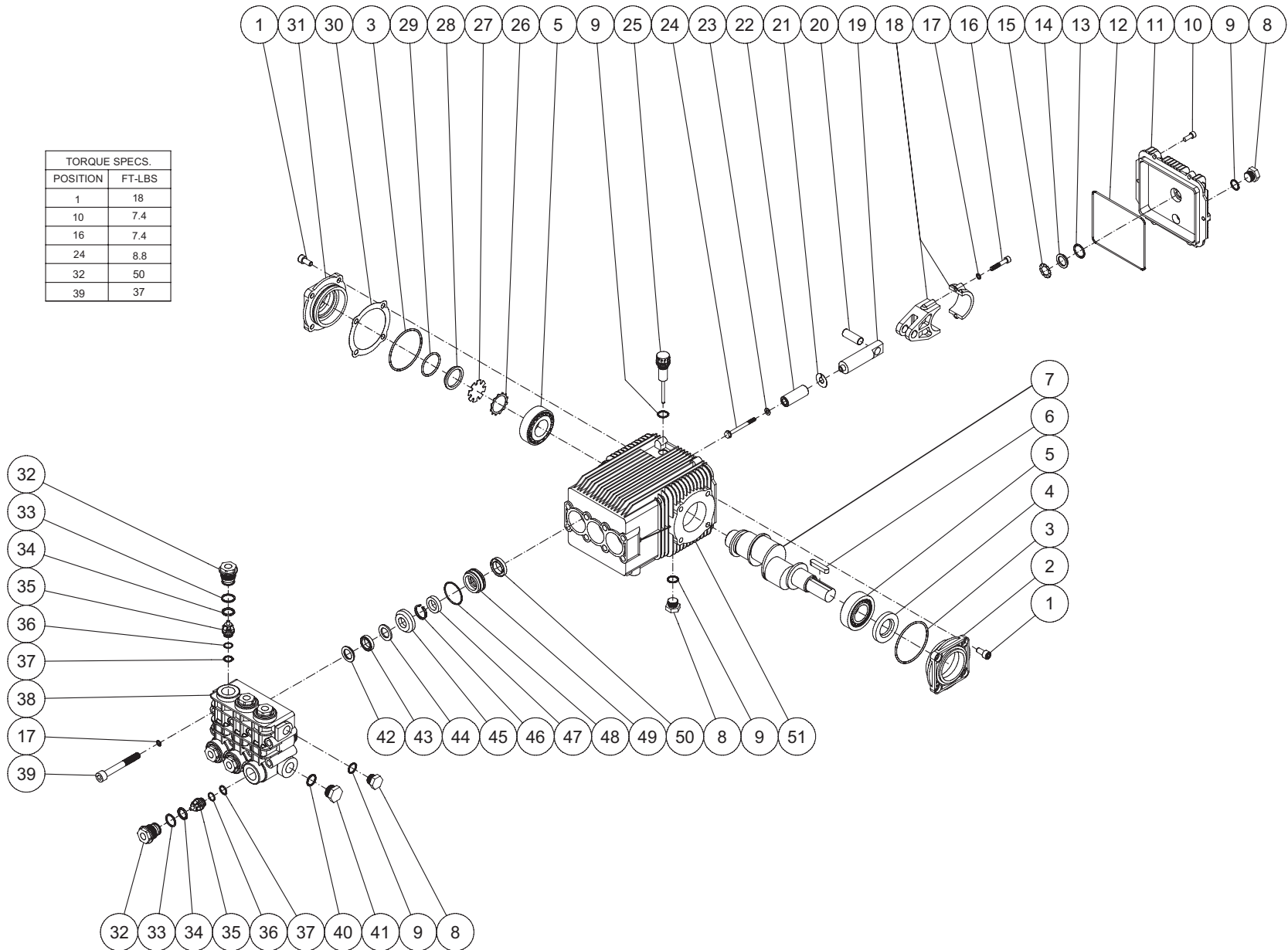
ITEM	DESCRIPTION	PART #	QTY	ITEM	DESCRIPTION	PART #	QTY
1	VALVE CAP	46-0889	6	25	BEARING	48-0012	2
2	O-RING	25-0012	6	26	KEY	43-0048	1
3	VALVE (SEE KIT 70-0009)	SEE KIT	6	27	CRANKSHAFT	N/A	1
4	MANIFOLD	46-0890	1	28	RETAINING RING	46-0103	6
5	WASHER	28-1039	8	29	CONNECTING ROD PIN	43-0032	3
6	BOLT	27-8185	8	30	OIL LEVEL INDICATOR	46-0114	1
7	WASHER	28-1038	2	31	PLUG	39-0017	1
8	PLUG	39-0019	2	32	O-RING	25-0014	4
9	WASHER	28-1002	2	33	BOLT	27-8404	5
10	PLUG	39-0018	2	34	CRANKCASE OPEN COVER	46-0295	1
11	HEAD RING (SEE KIT 70-0030 AND 852-0122)	SEE KIT	3	35	O-RING	25-0339	1
12	V-PACKING SUPPORT (SEE KIT 70-0147 AND 852-0122)	SEE KIT	3	36	BOLT	27-8435	6
13	O-RING (SEE KIT 70-0147 AND 70-0148 AND 852-0122)	SEE KIT	3	37	LOCKWASHER	29-0154	6
14	HIGH PRESSURE INTERMEDIATE SEAL RETAINER (SEE KIT 70-0148)	SEE KIT	3	38	CONNECTING ROD	46-0051	3
15	PRESSURE SEAL (SEE KIT 70-0147 AND 852-0122)	SEE KIT	3	39	PISTON ROD	46-0056	3
16	LOW PRESSURE SEAL RETAINER	46-0057	3	40	SLINGER WASHER	46-0146	3
17	O-RING (SEE KIT 852-0122)	SEE KIT	3	41	PLUNGER	46-0052	3
18	OIL SEAL	26-0047	3	42	BACK-UP RING	46-0109	3
19	BUSHING	9-0029	3	43	WASHER	28-0400	3
20	BOLT	27-8431	8	44	NUT / PISTON	46-0069	3
21	CRANKCASE COVER	46-0296	1	45	CRANKCASE	46-0047	1
22	SHIM	46-0113	1	46	OIL DIP STICK	46-0144	1
23	OIL SEAL	26-0049	1	47	CRANKCASE COVER	46-0336	1
24	O-RING	25-0013	2				

## REPLACEMENT KITS

KIT#	DESCRIPTION	ITEMS	# OF ASSEMBLIES	# OF CYLINDERS
70-0009	VALVES	3	6	3
70-0030	HEAD RING	11	3	3
70-0147	V-PACKING	12, 13, 15	3	3
70-0148	INTERMEDIATE RETAINER	13, 14	3	3
852-0122	V-PACKING ASSY	11-13, 15, 17	3	3

# PUMP ASSEMBLY (3-0213) (AFTER SERIAL #15019140)

TORQUE SPECS.	
POSITION	FT-LBS
1	18
10	7.4
16	7.4
24	8.8
32	50
39	37



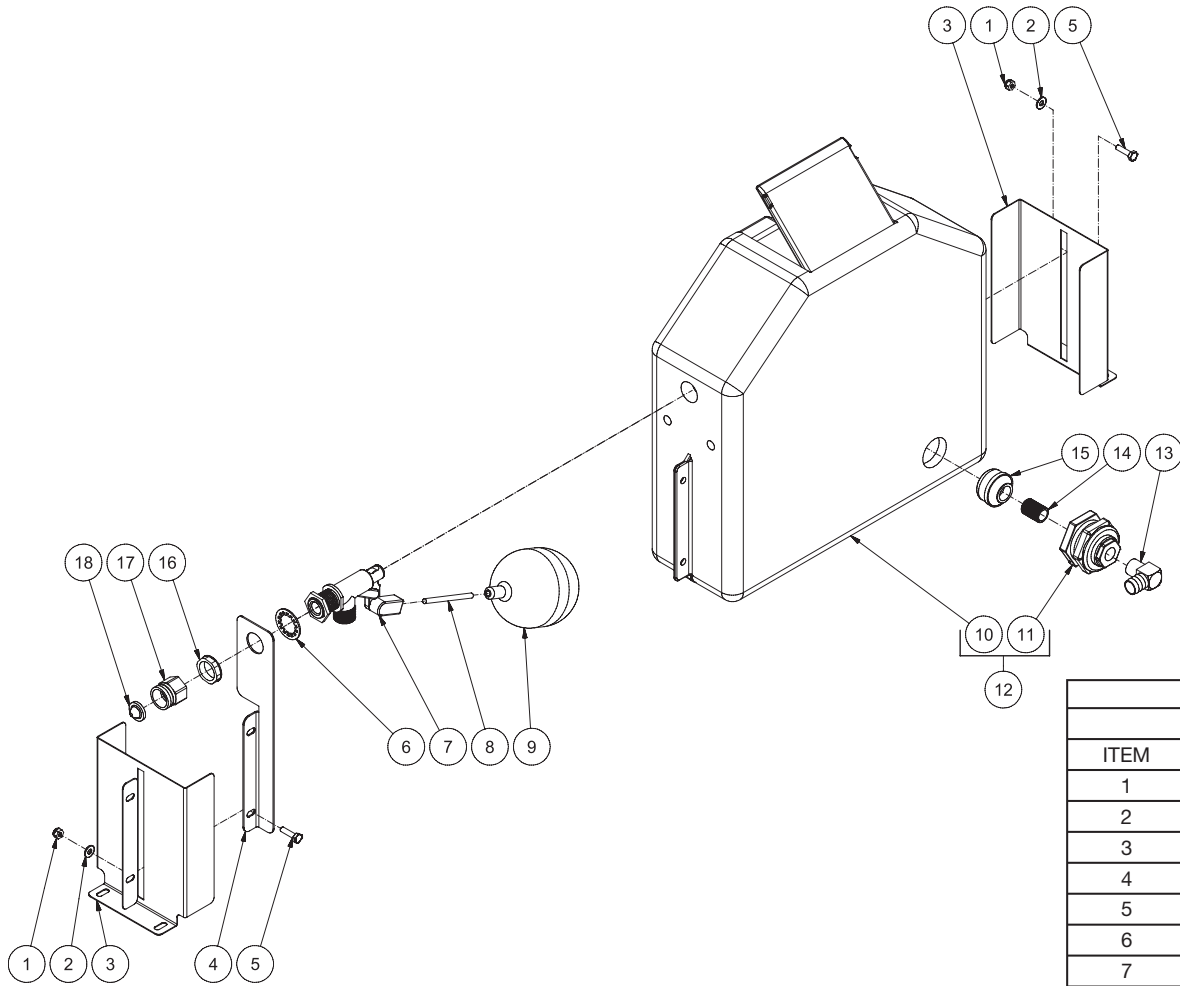
3-0213 061113 MLK



PUMP ASSEMBLY							
ITEM	DESCRIPTION	Mi-T-M #	QTY	ITEM	DESCRIPTION	Mi-T-M #	QTY
1	BOLT	27-8884	8	28	OIL SIGHT GLASS	46-0926	1
2	COVER	46-0909	1	29	O-RING	25-0514	1
3	O-RING	25-0512	2	30	SHIM - .05mm	46-0947	1
4	OIL SEAL	26-0243	1	-	SHIM - .10mm	46-0948	0
5	BEARING	48-0073	2	-	SHIM - .19mm	46-0949	0
6	PUMP KEY	43-0091	1	-	SHIM - .25mm	46-0950	0
7	CRANKSHAFT	46-0944	1	31	COVER	46-0918	1
8	PLUG	39-0203	3	32	VALVE CAP	39-0201	6
9	O-RING	25-0510	4	33	BACK-UP RING	25-0509	6
10	BOLT	27-8888	6	34	O-RING	25-0386	6
11	COVER	46-0912	1	35	VALVE (SEE KIT 70-0314)	22-0318	6
12	O-RING	25-0513	1	36	BACK-UP RING (SEE KIT 70-0314)	25-0516	6
13	O-RING	25-0370	1	37	O-RING (SEE KIT 70-0314)	25-0407	6
14	OIL SIGHT GLASS	46-0670	1	38	PUMP MANIFOLD	46-0900	1
15	SPRING RETAINER	46-0671	1	39	BOLT	27-8470	8
16	BOLT	27-8892	6	40	O-RING	25-0372	1
17	LOCKWASHER	29-0153	14	41	PLUG	39-0202	1
18	CONNECTING ROD	46-0913	3	42	SUPPORT RING (SEE KIT 70-0317)	46-0901	3
19	PLUNGER ROD	46-0915	3	43	HIGH PRESSURE SEAL (SEE KIT 70-0317)	46-0902	3
20	PIN	46-0914	3	44	BACK-UP RING (SEE KIT 70-0317)	46-0903	3
21	WASHER	46-0916	3	45	GUIDE	46-1201	3
22	PISTON	46-0917	3	46	BACK-UP RING (SEE KIT 70-0317)	46-0905	3
23	WASHER	29-0014	3	47	LOW PRESSURE SEAL (SEE KIT 70-0317)	46-0906	3
24	BOLT	27-8965	3	48	O-RING (SEE KIT 70-0317)	25-0511	3
25	DIPSTICK	39-0204	1	49	GUIDE REAR	46-1200	3
26	RETAINER	46-0924	1	50	OIL SEAL	26-0242	3
27	PUMP	46-0925	1	51	CRANKCASE	46-0911	1

REPLACEMENT KITS				
Mi-T-M KIT #	DESCRIPTION	ITEMS	# OF ASSEMBLIES	# OF CYLINDERS
70-0317	KIT - WATER SEALS	42-44, 46-48	3	3
70-0314	KIT - VALVES	35, 36, 37	6	3

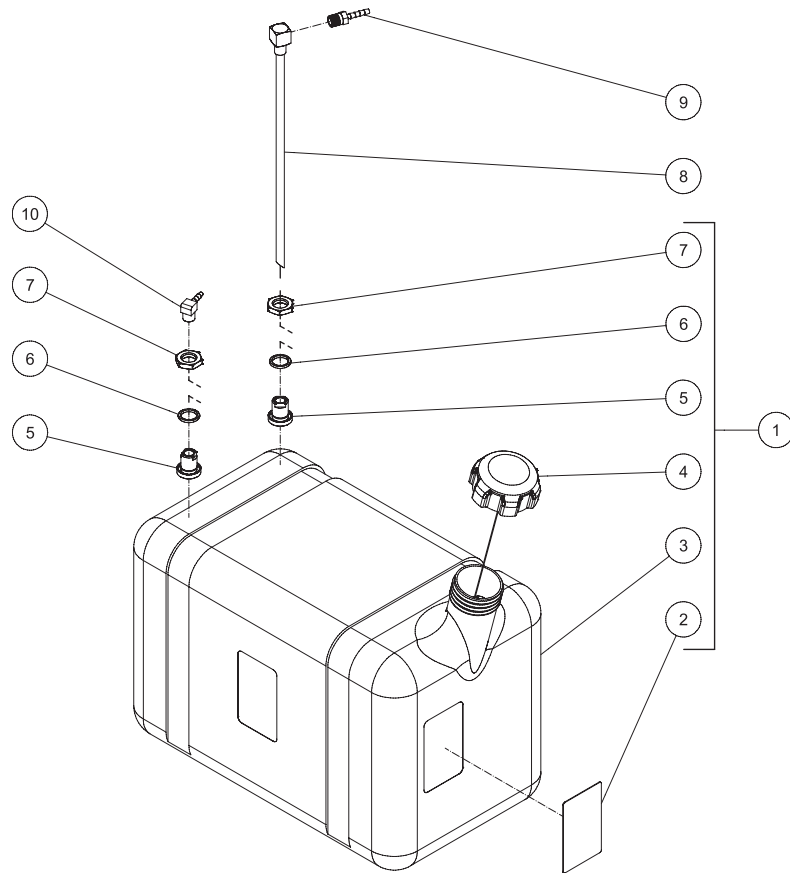
# FLOAT TANK ASSEMBLY



HDS FLOAT TANK ASSY 082809-CH			
FLOAT TANK ASSY			
ITEM	DESCRIPTION	PART #	QTY
1	LOCKNUT	30-0155	4
2	WASHER	28-0002	4
3	FLOAT TANK INLET BRACKET	20-0586A18	2
4	BRACKET	20-0912A18	1
5	BOLT	27-0016	4
6	LOCKWASHER	29-0074	1
7	FLOAT VALVE	22-0317	1
8	BALL FLOAT STUD	31-3320	1
9	FLOAT	22-0059	1
10	FLOAT TANK	N/A	1
11	BULKHEAD	55-0886	1
12	FLOAT TANK ASSEMBLY (INC. 10-11)	850-0322	1
13	ELBOW	23-0037	1
14	NIPPLE	23-0019	1
15	STRAINER	19-0203	1
16	LOCKNUT	23-0428	1
17	GARDEN HOSE INLET	23-0021	1
18	FILTER	19-0001	1

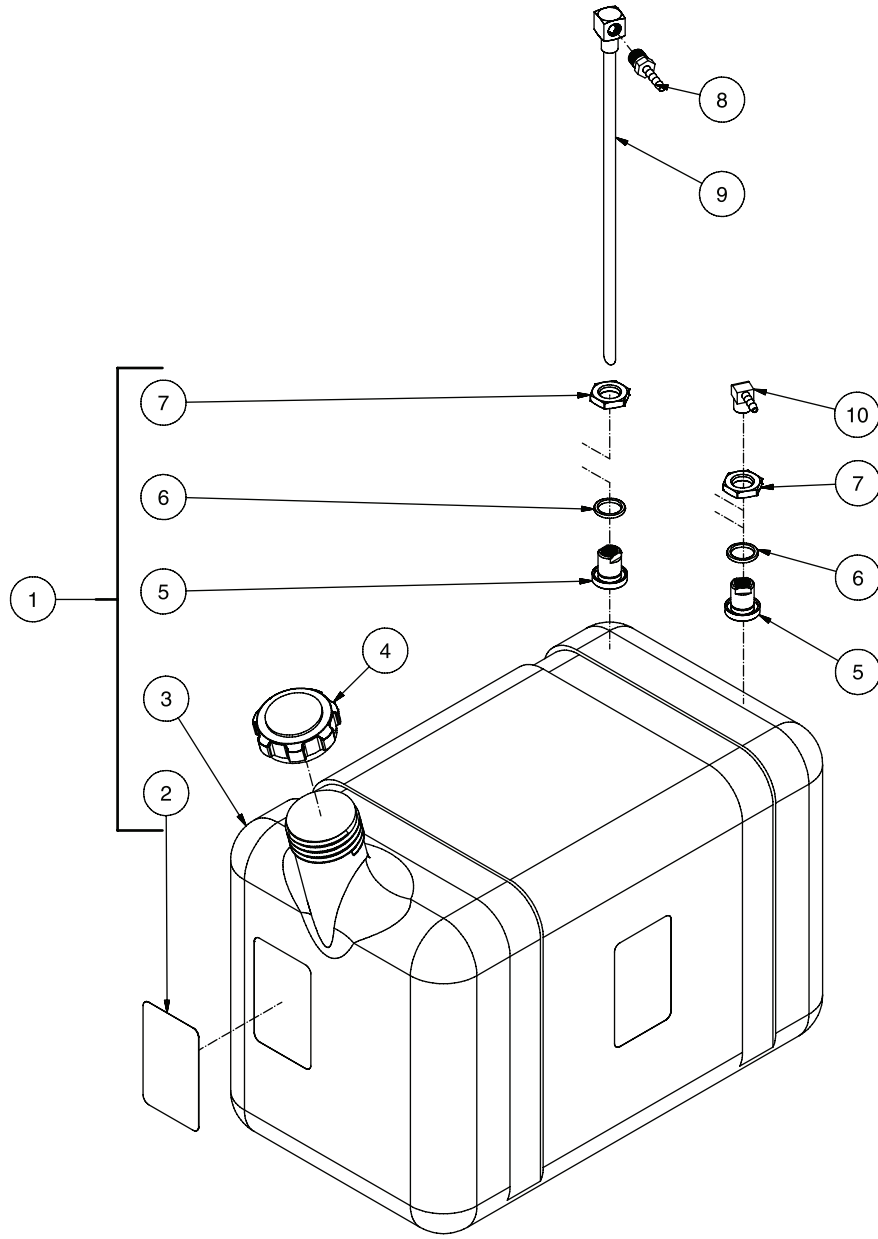
HDS FLOAT TANK ASSY-082809-CH

## GAS TANK ASSEMBLY



HDS GAS TANK ASSY 051012 CH			
GAS TANK ASSEMBLY			
ITEM	DESCRIPTION	PART #	QTY
1	GAS TANK ASSY (INC 2-7)	850-0306	1
2	DECAL- CAUTION: GASOLINE ONLY (SEE 71-0034)	N/A	1
3	FUEL TANK - RED	N/A	1
4	FUEL CAP - SEALED/TETHERED	12-0220	1
5	BULKHEAD FITTING	23-0408	2
6	O-RING	25-0427	2
7	NUT	23-0409	2
8	FUEL PICK-UP	33-0352	1
9	BARB	23-0051	1
10	ELBOW	23-0054	1

## BURNER FUEL TANK

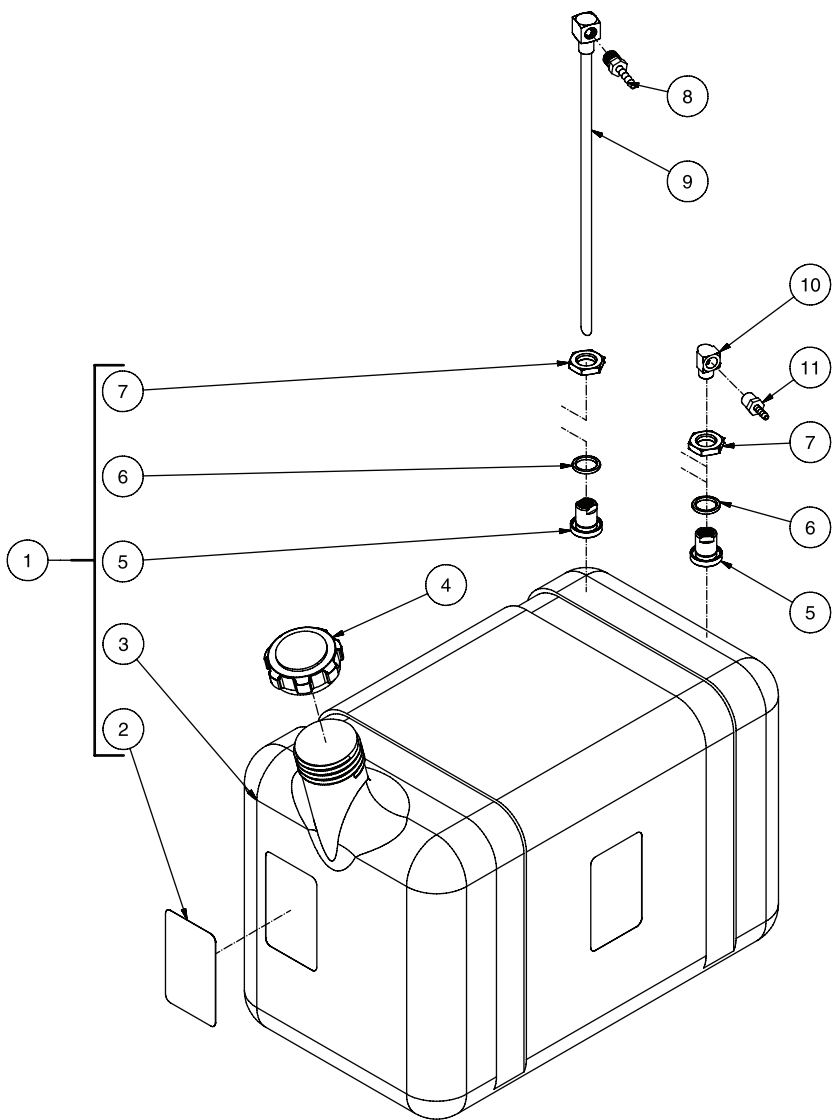


HDC BURNER FUEL TANK ASSY-012606-JJT

### BURNER FUEL TANK

REF. #	DESCRIPTION	PART #	QTY.
1	Fuel Tank Assembly (Inc. 2-3, 5-7)	850-0307	1
2	Decal- Caution: Risk of Fire (See 34-9024)	N/A Sep.	1
3	Fuel Tank (See 850-0307)	N/A Sep.	1
4	Fuel Cap	12-0033	1
5	Bulkhead Fitting	23-0408	2
6	O-ring	25-0427	2
7	Nut	23-0409	2
8	Hose Barb	23-0051	1
9	Fuel Pickup	33-0352	1
10	Elbow	23-0054	1
	Safety Decal Kit (Includes 2)	34-9024	

## DIESEL FUEL TANK

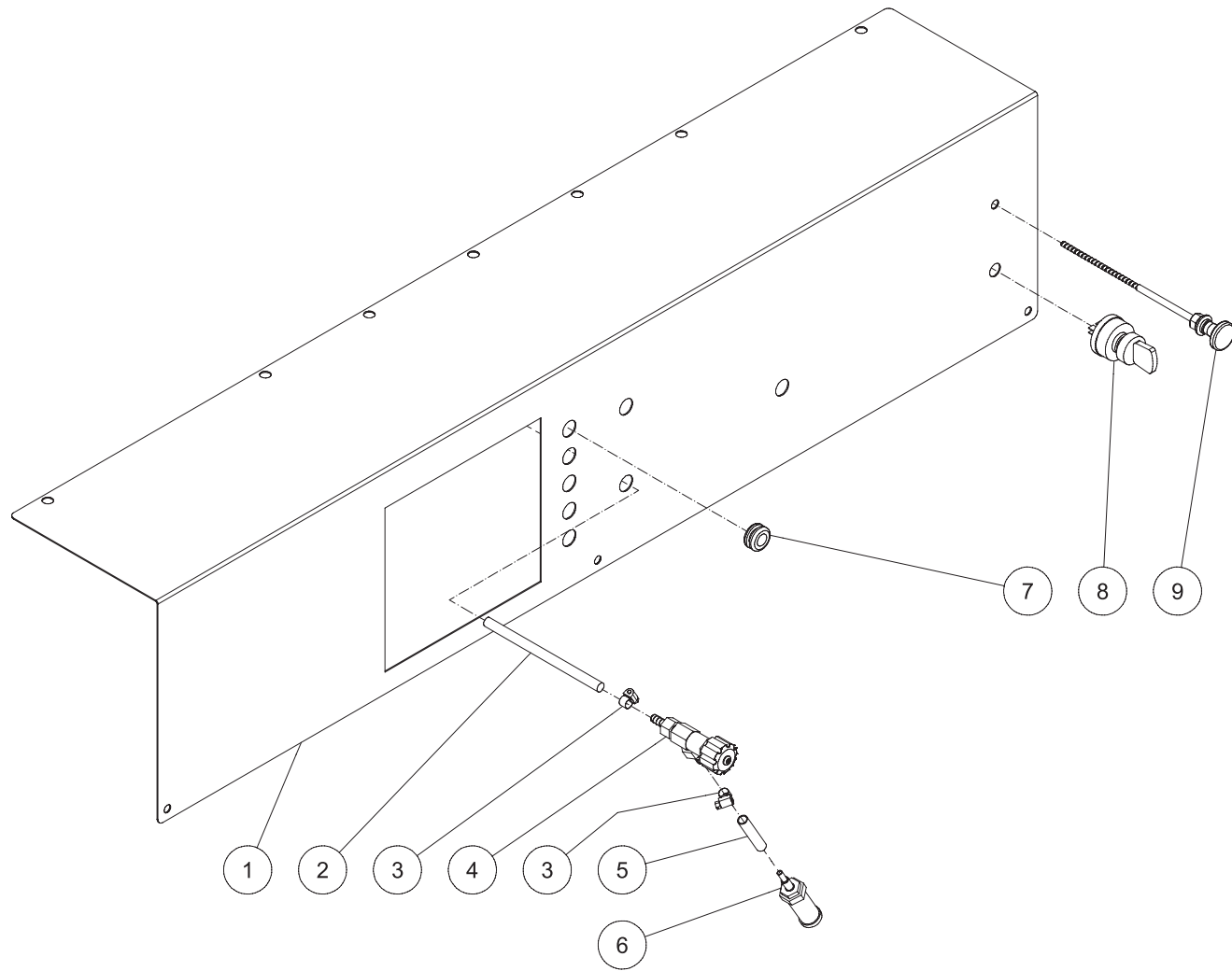


HDC DIESEL FUEL TANK ASSY-012606-JJT

DIESEL FUEL TANK			
REF. #	DESCRIPTION	PART #	QTY.
1	Fuel Tank Assembly (Inc. 2-3, 5-7)	850-0307	1
2	Decal- Caution: Risk of Fire (See 34-9024)	N/A Sep.	1
3	Fuel Tank (See 850-0307)	N/A Sep.	1
4	Fuel Cap	12-0033	1
5	Bulkhead Fitting	23-0408	2
6	O-ring	25-0427	2
7	Nut	23-0409	2
8	Hose Barb	23-0051	1
9	Fuel Pickup	33-0352	1
10	Elbow	23-0014	1
11	Hose Barb	23-0455	1
	Safety Decal Kit (Includes 2)	34-9024	

HDC DIESEL FUEL TANK ASSY-012606-JJT

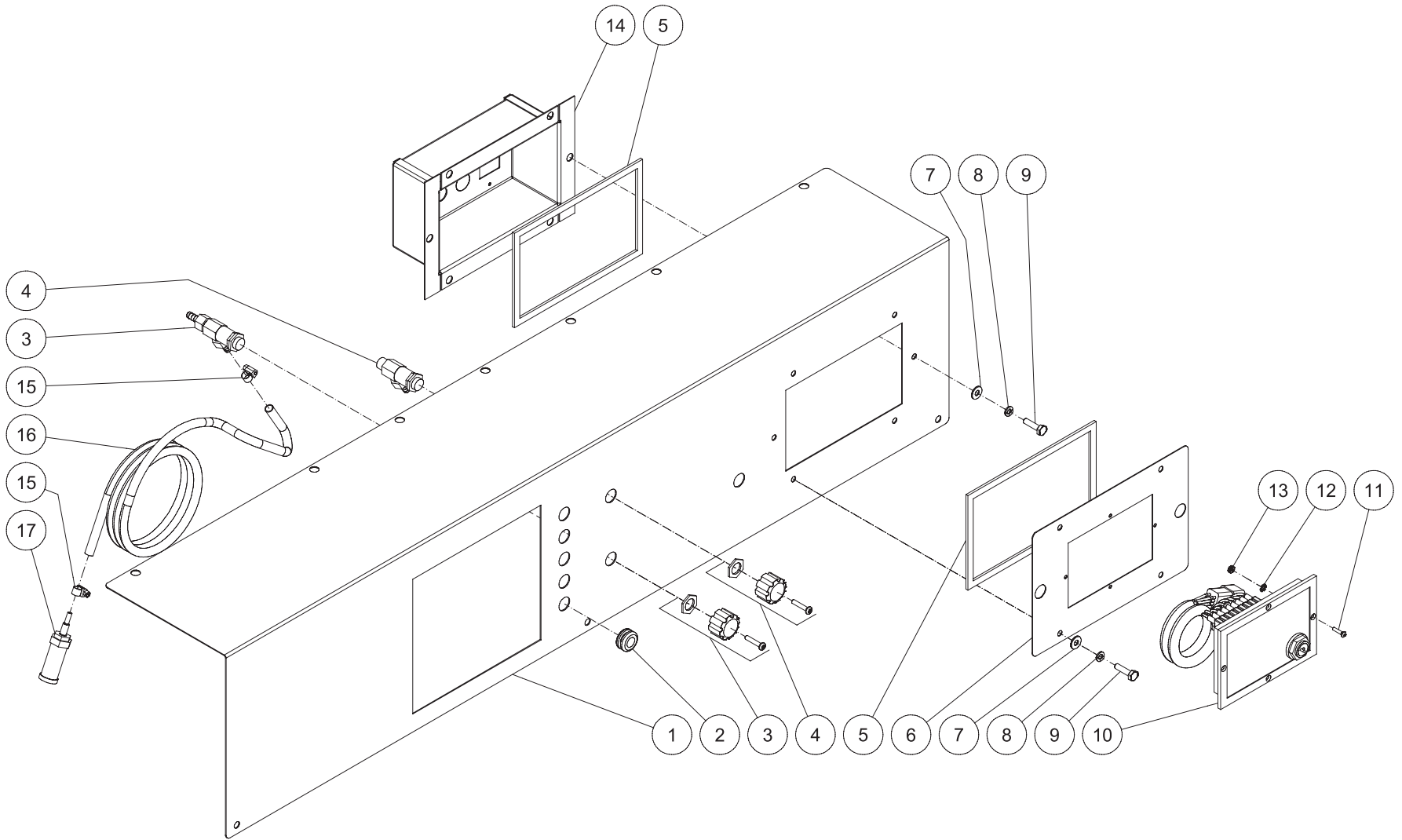
# CONTROL PANEL ASSEMBLY (HDC-3005/4005) (HDC-3505-0V6G/1H6G/0K6G)



HDC CONTROL PANEL-040609-CH

HDC CONTROL PANEL 040609-CH			
CONTROL PANEL			
ITEM	DESCRIPTION	PART #	QTY
1	CONTROL PANEL	20-1095A18	1
2	HOSE *(TWO FEET REQUIRED)	15-0079	1
3	CLAMP WORM	42-0004	2
4	DETERGENT VALVE	22-0226	1
5	HOSE *(SIX FEET REQUIRED)	15-0021	1
6	STRAINER	19-0056	1
7	GROMMET	33-0001	5
8	KEY SWITCH	W/ ENGINE	1
9	CHOKE CABLE	33-0081	1

# CONTROL PANEL ASSEMBLY (HDC-3505-0B7G)

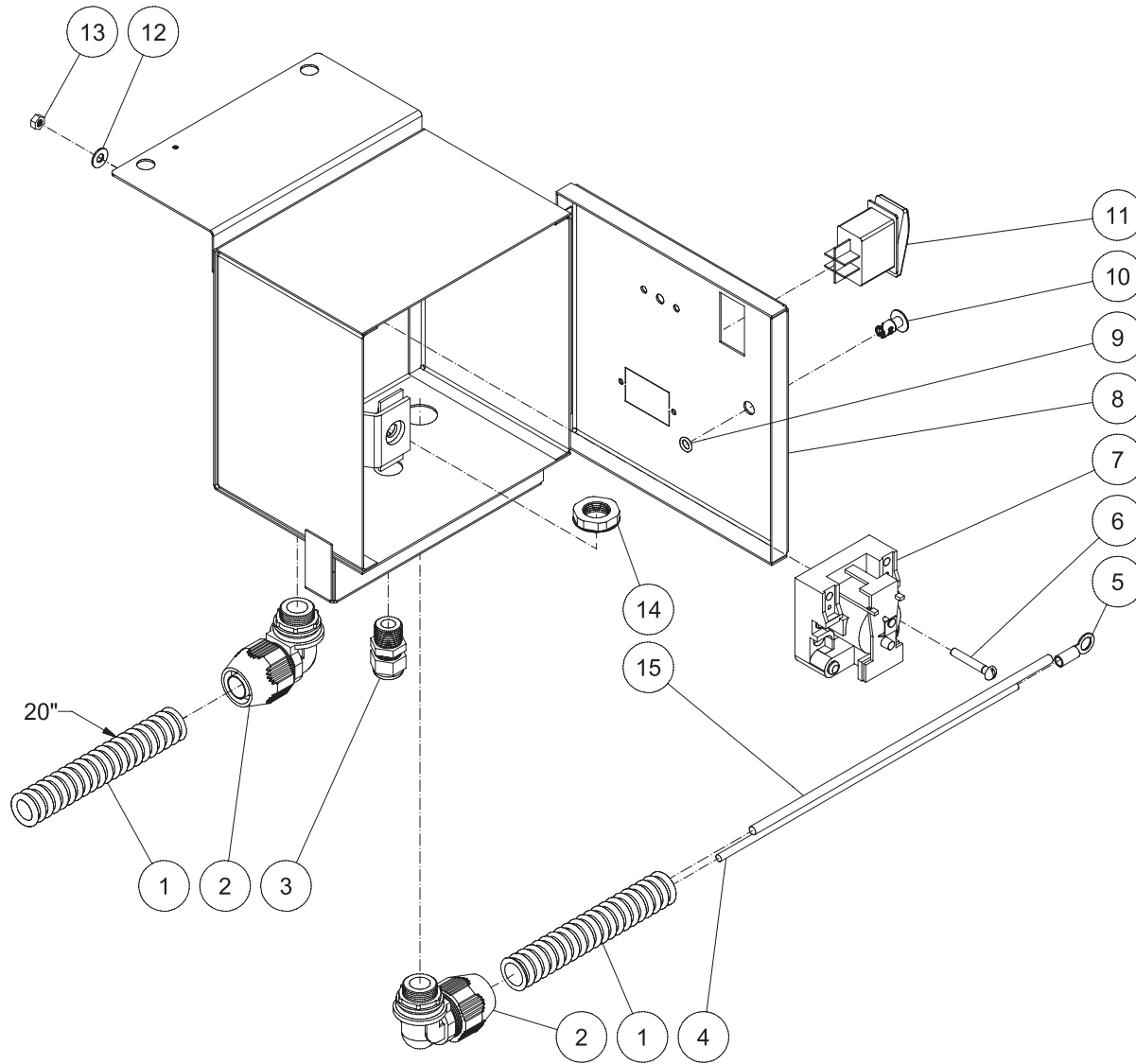


HDC KUBOTA CONTROL PANEL-040709-CH



HDC KUBOTA CONTROL PANEL ASSY 040709-CH			
CONTROL PANEL ASSEMBLY			
ITEM	DESCRIPTION	PART #	QTY
1	CONTROL PANEL	20-1096A18	1
2	GROMMET	33-0001	5
3	DETERGENT VALVE	22-0226	1
4	STEAM VALVE	22-0329	1
5	GASKET	26-0248	2
6	ELECTRIC BOX PANEL	21-0227	1
7	WASHER	28-0002	6
8	LOCKWASHER	29-0006	6
9	BOLT	27-0016	6
10	ENGINE CONTROL PANEL	32-0970	1
-	SWITCH ONLY FOR 32-0970	32-0991	1
11	SCREW	27-8881	4
12	STAR WASHER	28-1009	4
13	NUT	30-0052	4
14	ELECTRIC BOX	20-0582A18	1
15	CLAMP WORM	42-0004	2
16	HOSE *(SIX FEET REQUIRED)	15-0021	1
17	STRAINER	19-0056	1

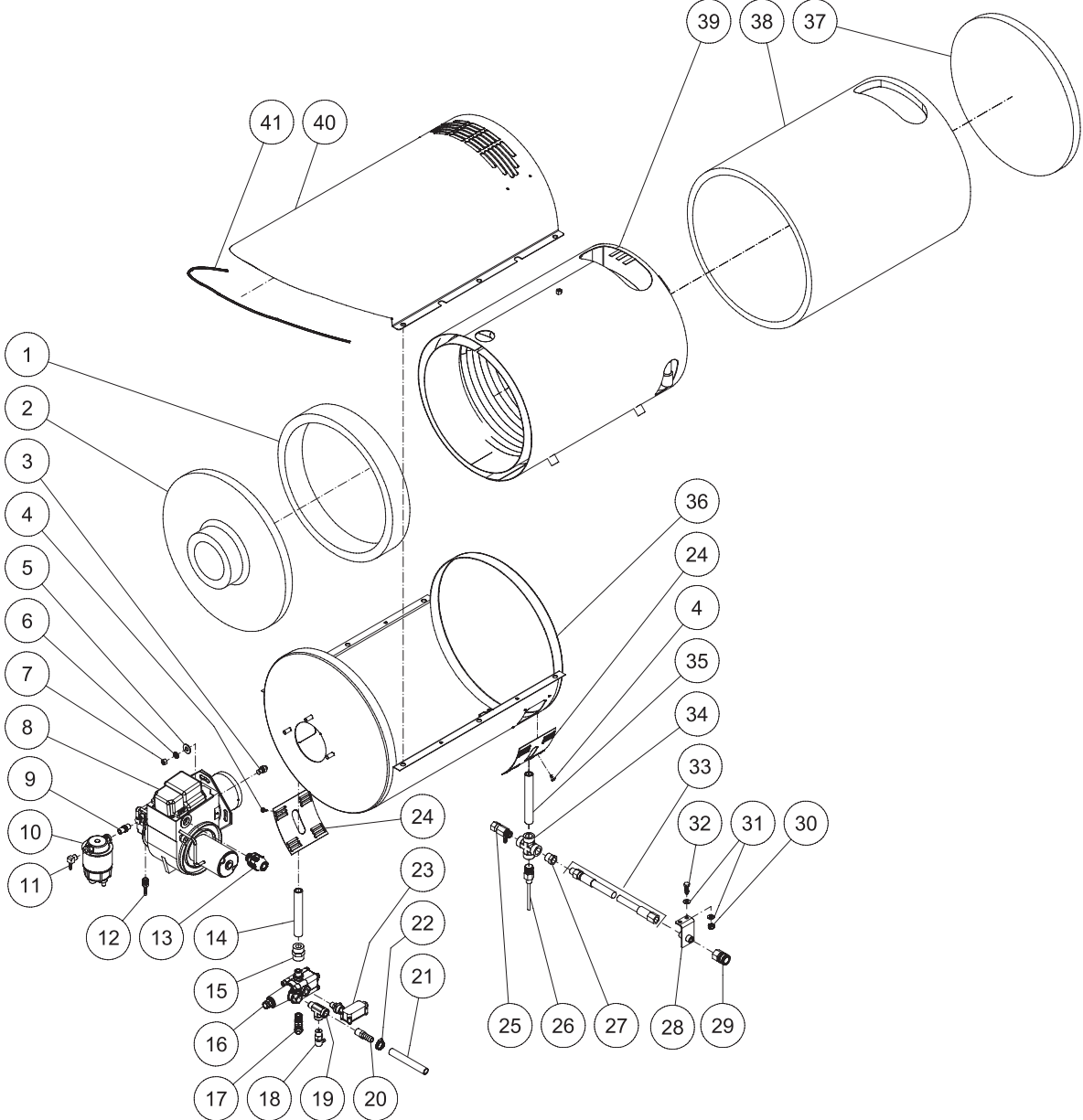
# ELECTRICAL BOX ASSEMBLY



HDC ELECTRIC BOX ASSY-040609-CH

HDC ELECTRIC BOX ASSY 040609-CH			
ELECTRIC BOX ASSEMBLY			
ITEM	DESCRIPTION	PART #	QTY
1	CONDUIT FLEX *(SEVEN FEET REQUIRED)	32-0253	2
-	CONDUIT FLEX *(FOUR FEET REQUIRED) (DIESEL)	32-0253	1
2	CONDUIT ELBOW	32-0254	2
3	STRAIN RELIEF	32-0586	3
4	WIRE *(SEVEN FEET REQUIRED)	32-0500	1
-	WIRE *(FOUR FEET REQUIRED) (DIESEL)	32-0500	1
5	TERMINAL RING	32-0639	2
6	SCREW	27-8912	2
7	RELAY CONTROL	32-0791	1
8	ELECTRIC BOX	20-1097A18	1
9	O-RING	25-0209	1
10	FASTENER	33-0197	1
11	ROCKER SWITCH W/LAMP	32-0969	1
12	WASHER	28-0001	2
13	NUT	30-6001	2
14	ELECTRICAL LOCKNUT	32-0587	3
15	WIRE *(SEVEN FEET REQUIRED)	32-0794	1
-	WIRE *(THREE FEET REQUIRED) (DIESEL)	32-0794	1

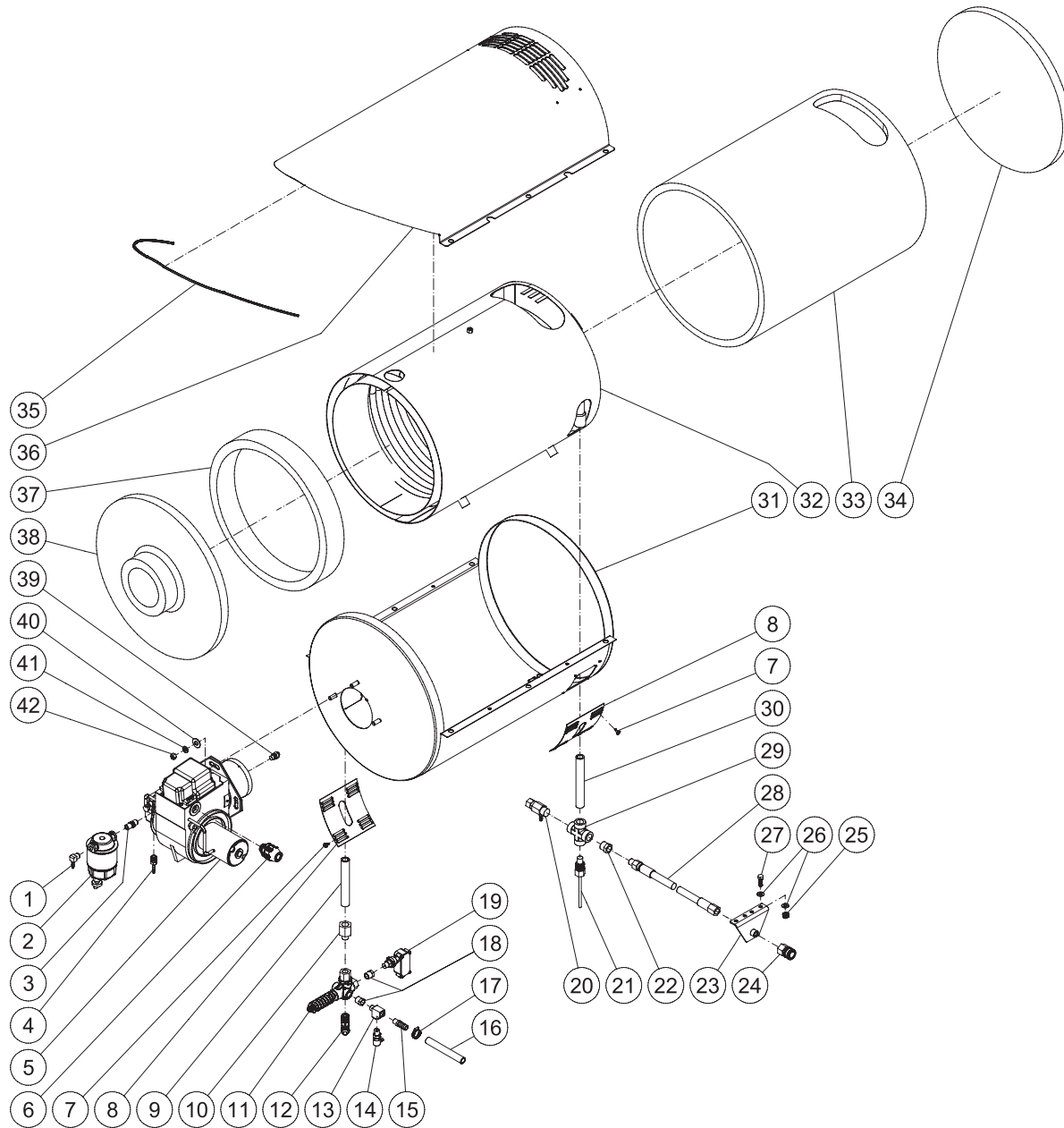
# HEAT EXCHANGER ASSEMBLY (HDC-3005/3505)



HDC 3005-3505 HEAT EXCHANGER ASSY-060412-JDK

HEAT EXCHANGER ASSEMBLY							
ITEM	DESCRIPTION	PART #	QTY	ITEM	DESCRIPTION	PART #	QTY
1	INSULATION BLANKET	850-0314	1	22	HOSE CLAMP	42-0011	1
2	INSULATION DRUM HEAD	33-0345	1	23	PRESSURE SWITCH	22-0243	1
3	FUEL NOZZLE	18-0090	1	24	PATCH PLATE	20-0537A18	2
4	BOLT	27-3062	8	25	SAFETY RELIEF VALVE	22-0309	1
5	WASHER	28-0023	3	26	HI-LIMIT SWITCH	32-0667	1
6	LOCKWASHER	29-0008	3	27	REDUCER BUSHING	23-0016	1
7	NUT	30-0006	3	28	WATER OUTLET BRACKET	13-0199A18	1
8	BURNER	4-0021	1	29	QC SOCKET	17-0004	1
9	NIPPLE	24-0145	1	30	LOCKNUT	30-0157	2
10	FUEL FILTER / WATER SEPERATOR	19-0070	1	31	WASHER	28-0003	4
11	ELBOW	23-0054	1	32	BOLT	27-0067	2
12	BARB	23-0051	1	33	HP HOSE	15-0202	1
13	CONDUIT FITTING	32-0255	1	34	CROSS	24-0241	1
14	PIPE NIPPLE	24-0246	1	35	PIPE NIPPLE	24-0254	1
15	ADAPTER	24-0243	1	36	BOTTOM WRAP	20-0527A18	1
16	UNLOADER	8-0013	1	37	INSULATION DISC	33-0346	1
17	ELBOW	24-0092	1	38	INSULATION BLANKET	850-0279	1
18	HEAT DUMP VALVE	22-0432	1	39	COIL	66-0014	1
19	STREET TEE	23-0058	1	40	TOP WRAP	21-0129	1
20	HOSE BARB	23-0105	1	41	EDGING *(THREE FEET REQUIRED)	33-0020	1
21	HOSE *(TWO FEET REQUIRED)	15-0007	1	*MUST ORDER IN ONE FOOT LENGTHS			

# HEAT EXCHANGER ASSEMBLY (HDC-4004) (AFTER SERIAL #15100089)

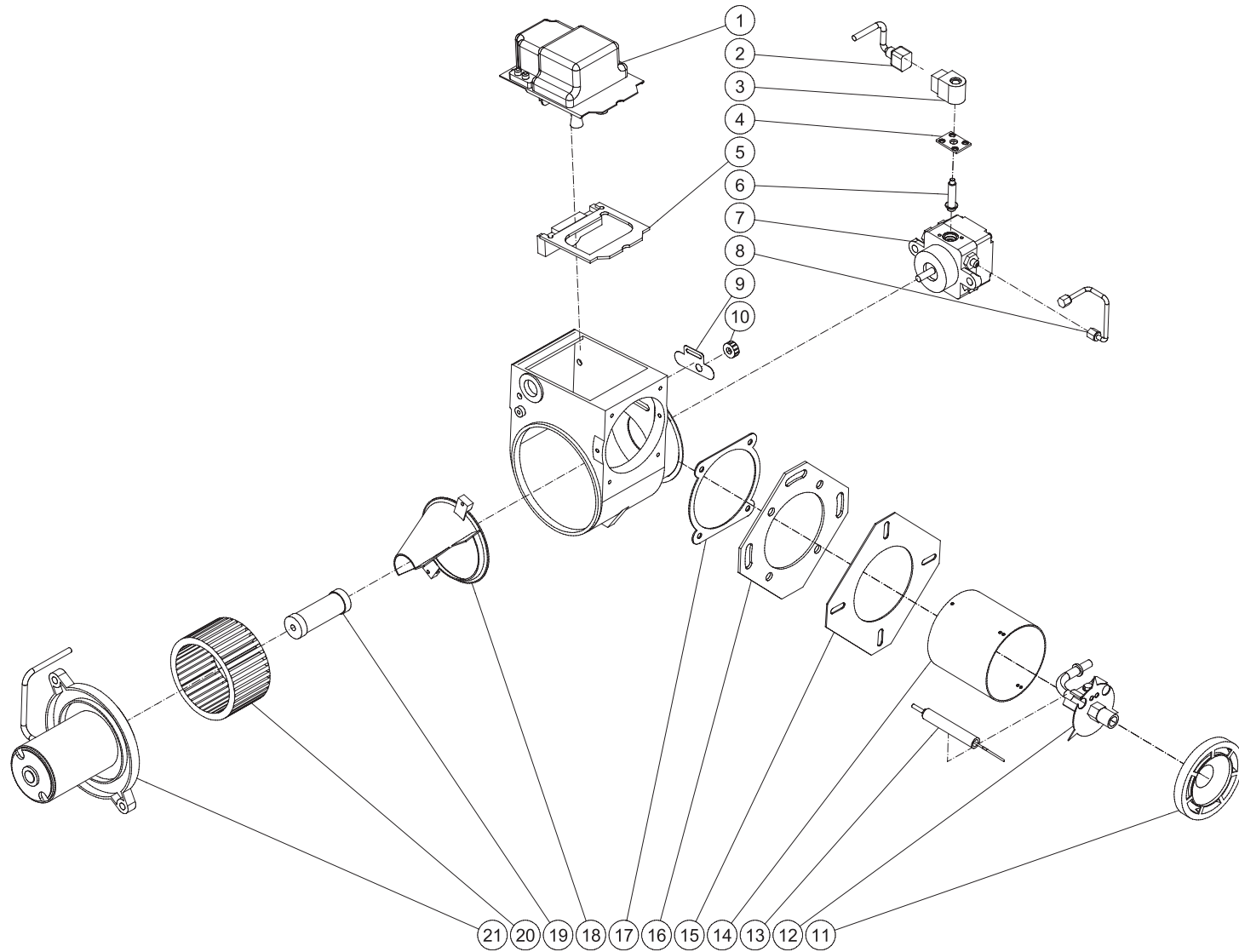


HDC 4004 HEAT EXCHANGER ASSY 031715 KMD

HDC 4004 HEAT EXCHANGER 031715 KMD			
HEAT EXCHANGER			
ITEM	DESCRIPTION	PART #	QTY
1	ELBOW	23-0054	1
2	FUEL FILTER / WATER SEPERATOR	19-0070	1
3	NIPPLE	24-0145	1
4	BARB	23-0051	1
5	BURNER	4-0021	1
6	CONDUIT FITTING	32-0255	1
7	BOLT	27-3062	8
8	PATCH PLATE	20-0537A18	2
9	PIPE NIPPLE	24-0246	1
10	REDUCER	24-0048	1
11	UNLOADER	8-0634	1
12	ELBOW	24-0092	1
13	TEE	23-0127	1
14	HEAT DUMP VALVE	22-0408	1
15	HOSE BARB	23-0120	1
-	ELBOW 1/4 M x 1/2 HOSE BARB (TX-0005/7)	23-0119	1
16	HOSE *(TWO FEET REQUIRED)	15-0007	1
17	HOSE CLAMP	42-0011	1
18	REDUCER	23-0017	2
19	PRESSURE SWITCH	22-0243	1
20	SAFETY RELEIF VALVE	22-0434	1
21	HI-LIMIT SWITCH	32-0667	1
22	REDUCER BUSHING	23-0016	1
23	WATER OUTLET BRACKET	13-0199A18	1
24	QC SOCKET	17-0004	1
25	LOCKNUT	30-0157	2
26	WASHER	28-0003	4
27	BOLT	27-0067	2
29	CROSS	24-0241	1
30	PIPE NIPPLE	24-0254	1
31	BOTTOM WRAP	20-0527A18	1
32	COIL	66-0014	1
33	INSULATION BLANKET	850-0279	1
34	INSULATION DISC	33-0346	1
35	EDGING *(THREE FEET REQUIRED)	33-0020	1
36	TOP WRAP	21-0129	1
37	INSULATION BLANKET	850-0314	1
38	INSULATION DRUM HEAD	33-0345	1
39	FUEL NOZZLE	18-0091	1
40	WASHER	28-0023	3
41	LOCKWASHER	29-0008	3
42	NUT	30-0006	3

\*MUST ORDER IN ONE FOOT LENGTHS

# BURNER ASSEMBLY (4-0021)



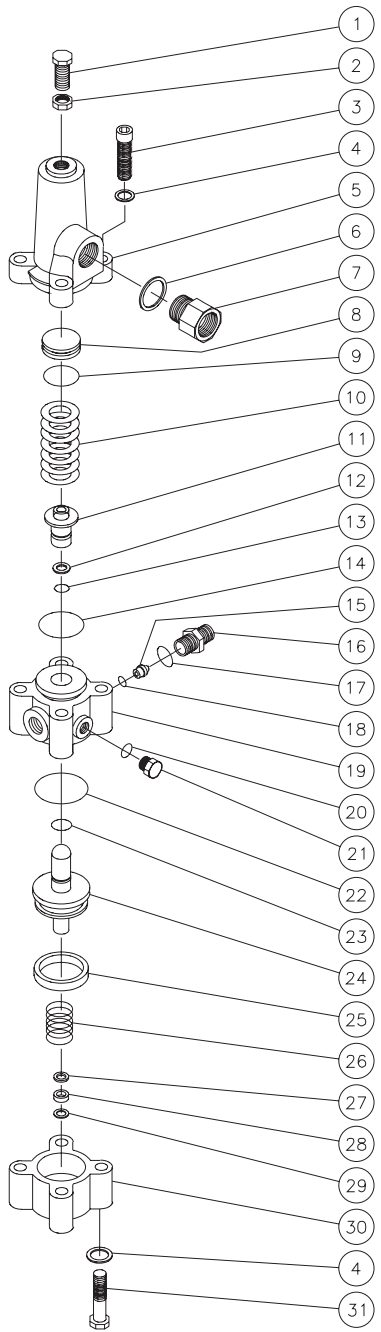
4-0021 032816 RJA



## BURNER ASSEMBLY

ITEM	DESCRIPTION	PART #	QTY
1	IGNITER ASSY W/ BASEPLATE	44-0125	1
2	CORD SET	44-0122	1
3	COIL	46-1015	1
4	TUBE BASE PLATE	46-1004	1
5	IGNITER GASKET KIT	70-0369	1
6	SOLENOID PISTON	46-1012	
7	FUEL PUMP	3-0434	1
8	TUBING	44-0025	1
9	PLATE	44-0031	1
10	NUT	44-0022	1
11	COMBUSTION HEAD	44-0011	1
12	ELECTRODE KIT	44-0111	1
13	ELECTRODE	44-0114	1
14	AIR TUBE	44-0110	1
15	FLANGE MOUNTING GASKET	44-0108	1
16	FLANGE	44-0109	1
17	GASKET FLANGE	26-0138	1
18	AIR GUIDE	44-0123	1
19	COUPLING	44-0127	1
20	BLOWER WHEEL	44-0124	1
21	MOTOR	2-0139	1

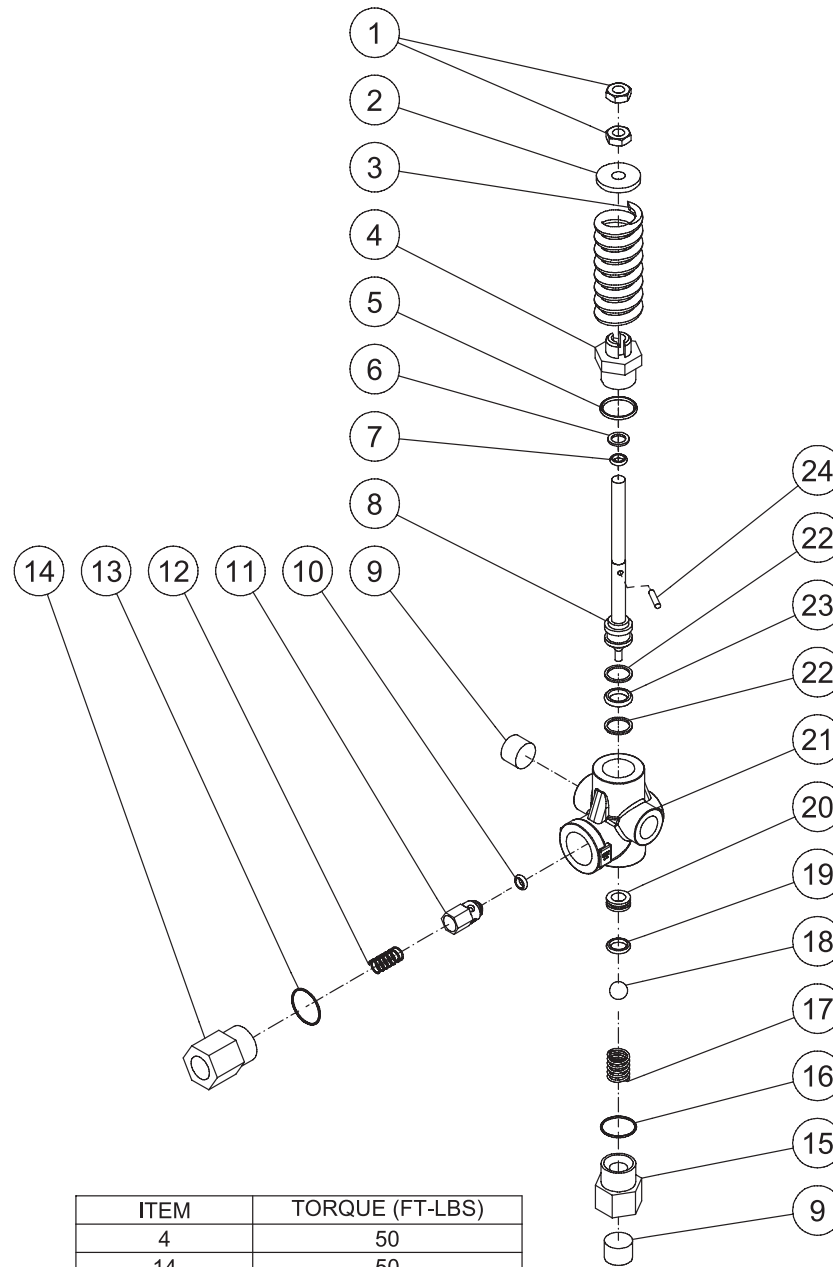
UNLOADER ASSEMBLY (850-0304)



OMGEN066-040901-BAR

UNLOADER ASSEMBLY (850-0304)							
REF. #	DESCRIPTION	PART #	QTY.	REF. #	DESCRIPTION	PART #	QTY.
1	Bolt	27-8077	1	18	O-ring	25-0119	1
2	Hex Nut	30-3010	1	19	Middle Body	8-0137	1
3	Bolt	27-8434	4	20	O-ring	25-0114	2
4	Lockwasher	29-0154	8	21	Hex Plug	39-0017	2
5	Upper Body	8-0138	1	22	O-ring	25-0056	1
6	Washer	8-0277	1	23	O-ring	25-0120	1
7	By-Pass Restrictor	8-0124	1	24	Piston Assembly	8-0136	1
8	Spring Guide	8-0135	1	25	Seal	26-0104	1
9	O-ring	25-0118	1	26	Spring	49-0027	1
10	Spring	49-0026	1	27	Washer	8-0139	1
11	Valve Seat	8-0145	1	28	Seal	26-0105	1
12	Back-up Ring	8-0141	1	29	Back-up Ring	8-0140	1
13	O-ring	25-0121	1	30	Lower Body	8-0134	1
14	O-ring	25-0117	1	31	Bolt	27-8037	4
15	Flow Balancer (8-0012)	8-0126	1		Unloader Repair Kit (Inc. 9, 11, 13, 14, 17, 18, 20, 22-26, 28, 29)	70-0013	
-	Flow Balancer (8-0013)	8-0128	1		Unloader Orifice Kit (Inc. 1 each of 7, 15, 16)	852-0014	
-	Flow Balancer (8-0014, 850-0304)	8-0127	1		Unloader Orifice Kit (Inc. 1 each of 7, 15, 16)	852-0015	
16	Nipple(8-0014, 850-0304)	8-0131	1		Unloader Orifice Kit (Inc. 1 each of 7, 15, 16)	852-0017	
-	Nipple (8-0012, 8-0013)	8-0130	1		Unloader Orifice Kit (Inc. 1 each of 7, 15, 16)	852-0157	
17	O-ring	25-0052	1				

# UNLOADER ASSEMBLY (8-0634)



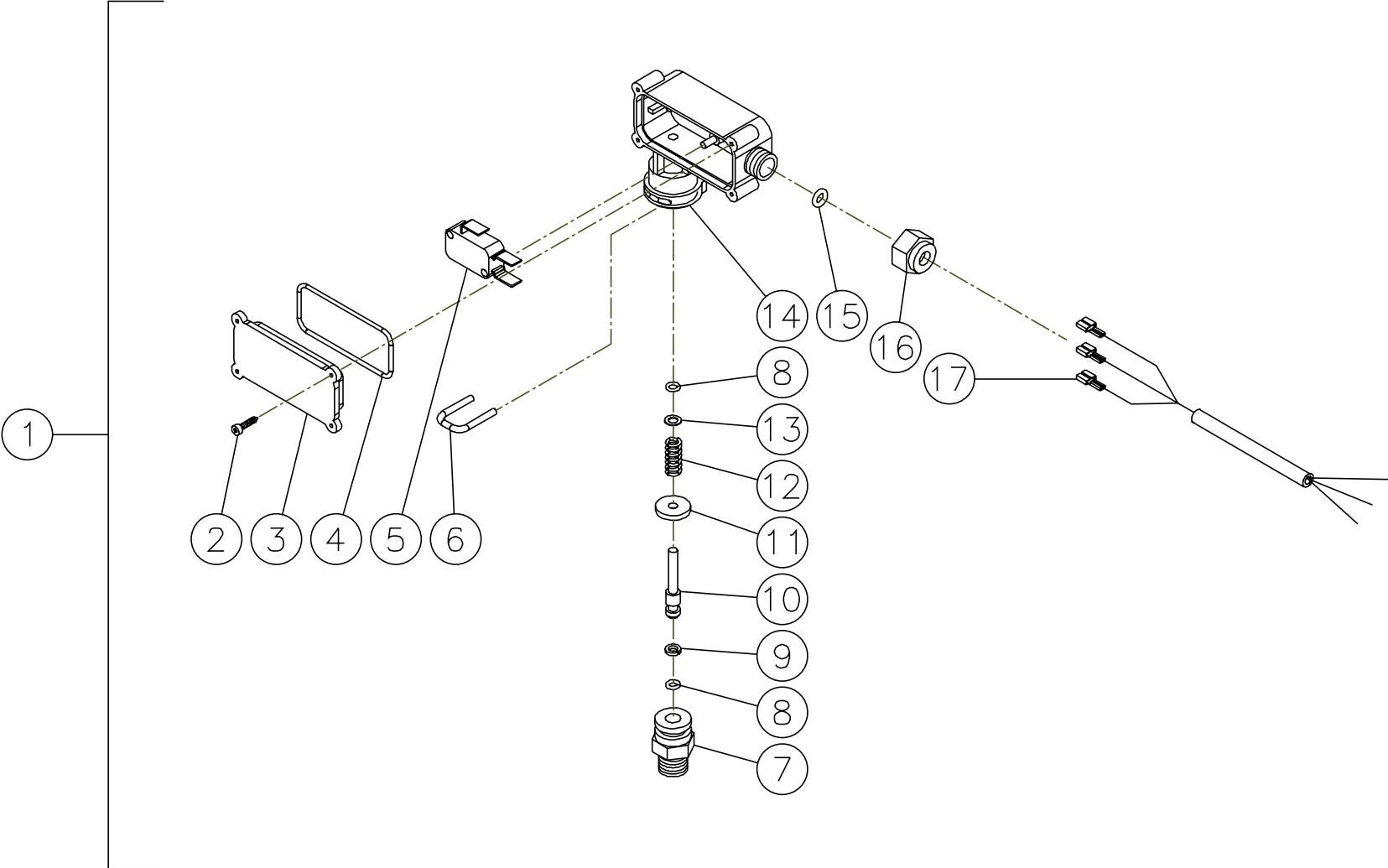
ITEM	TORQUE (FT-LBS)
4	50
14	50
15	50

8-0634 052213 JDK

8-0634 052213 JDK			
UNLOADER ASSEMBLY			
ITEM	DESCRIPTION	PART #	QTY
1	NUT	8-0293	2
2	SPRING SPACER	46-1527	1
3	SPRING	49-0171	1
4	FITTING	46-1529	1
5	O-RING (SEE KIT 70-0625)	SEE KIT	1
6	O-RING (SEE KIT 70-0625)	SEE KIT	1
7	O-RING (SEE KIT 70-0625)	SEE KIT	1
8	STEM	46-1530	1
9	PLUG	23-0244	2
10	O-RING (SEE KIT 70-0624)	SEE KIT	1
11	POPPET (SEE KIT 70-0624)	SEE KIT	1
12	SPRING (SEE KIT 70-0624)	SEE KIT	1
13	O-RING	25-0672	1
14	OUTLET FITTING	46-1531	1
15	INLET FITTING (SEE KIT 70-0625)	SEE KIT	1
16	O-RING (SEE KIT 70-0625)	SEE KIT	1
17	SPRING	49-0172	1
18	BALL (SEE KIT 70-0625)	SEE KIT	1
19	O-RING (SEE KIT 70-0625)	SEE KIT	1
20	SEAT	46-1532	1
21	FORGING	46-1533	1
22	BACKUP RING (SEE KIT 70-0625)	SEE KIT	2
23	O-RING (SEE KIT 70-0625)	SEE KIT	1
24	PIN (SEE KIT 70-0625)	SEE KIT	1

REPLACEMENT KITS			
KIT #	DESCRIPTION	ITEMS	QTY
70-0624	KIT - CHECK VALVE	10-12	1, 1, 1
70-0625	KIT - UNLOADER REBUILD	5-7, 15-16, 18-19, 22-24	1, 1, 1, 1, 1, 1, 1, 2, 1, 1

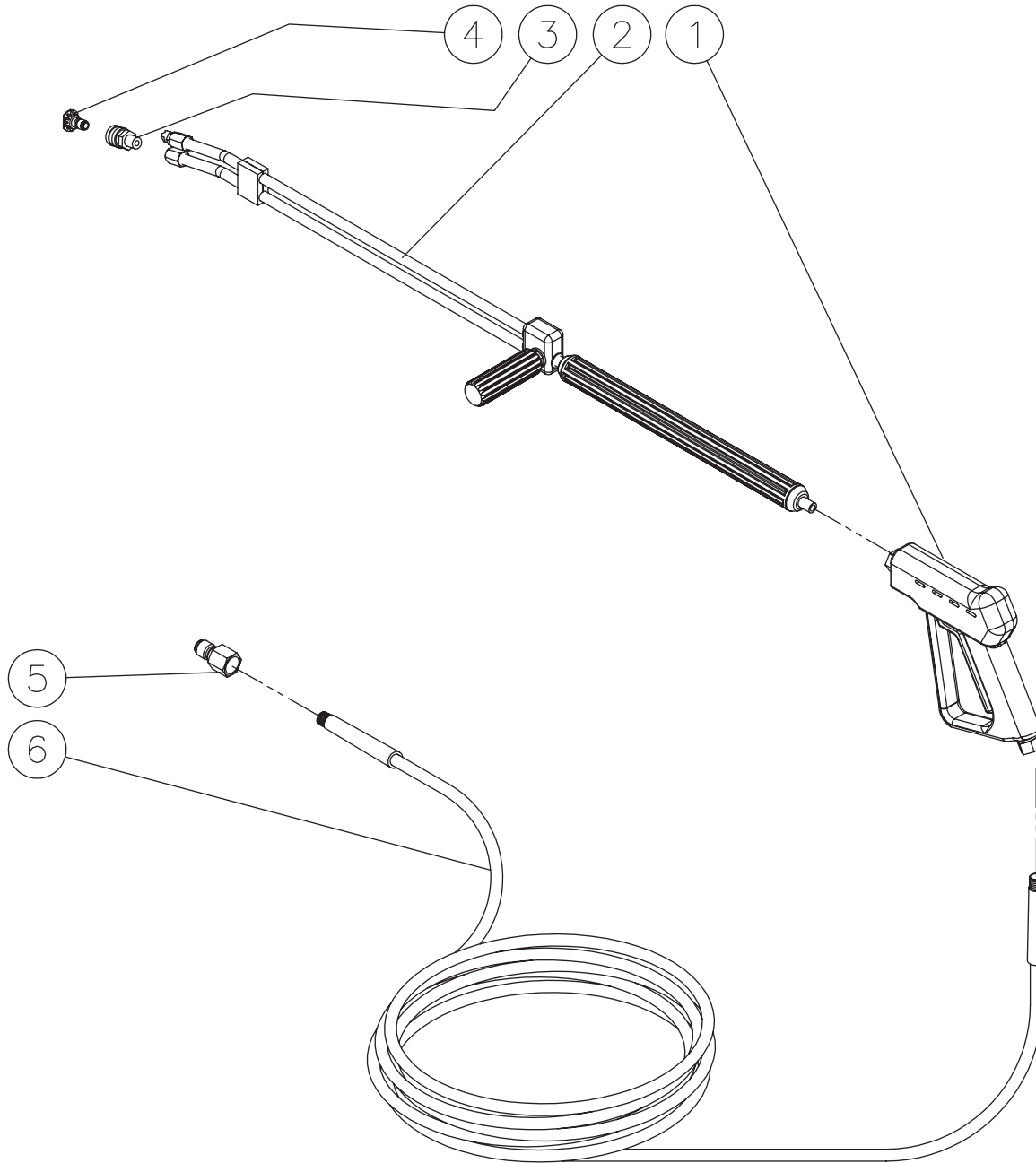
**PRESSURE SWITCH (22-0171 & 22-0243)**



22-0171 & 22-0243-120799-BAR

PRESSURE SWITCH								
REF. #	DESCRIPTION	PART #	QTY.		REF. #	DESCRIPTION	PART #	QTY.
1	Pressure Switch- 15 BAR	22-0171	1		11	Washer	N/A	1
-	Pressure Switch- 25 BAR	22-0243	1		12	Spring- 15 BAR	49-0144	1
2	Screw	N/A	4		-	Spring- 25 BAR	49-0145	1
3	Cover	N/A	1		13	Washer	N/A	1
4	O-ring (See 70-0306)	N/A Sep.	1		14	Plastic Housing	N/A	1
5	Micro Switch	N/A	1		15	O-ring (See 70-0306)	N/A Sep.	1
6	Retainer Clip	N/A	1		16	Nut- 15 BAR	N/A	1
7	Body	N/A	1		-	Nut- 25 BAR	N/A	1
8	O-ring (See 70-0306)	N/A Sep.	2		17	Wire Assembly	N/A	1
9	Back-up Ring (See 70-0306)	N/A Sep.	1			O-ring Repair Kit (Inc. 4, 8-9, 15)	70-0306	
10	Piston	N/A	1					

# GUN/WAND/HOSE ASSEMBLY

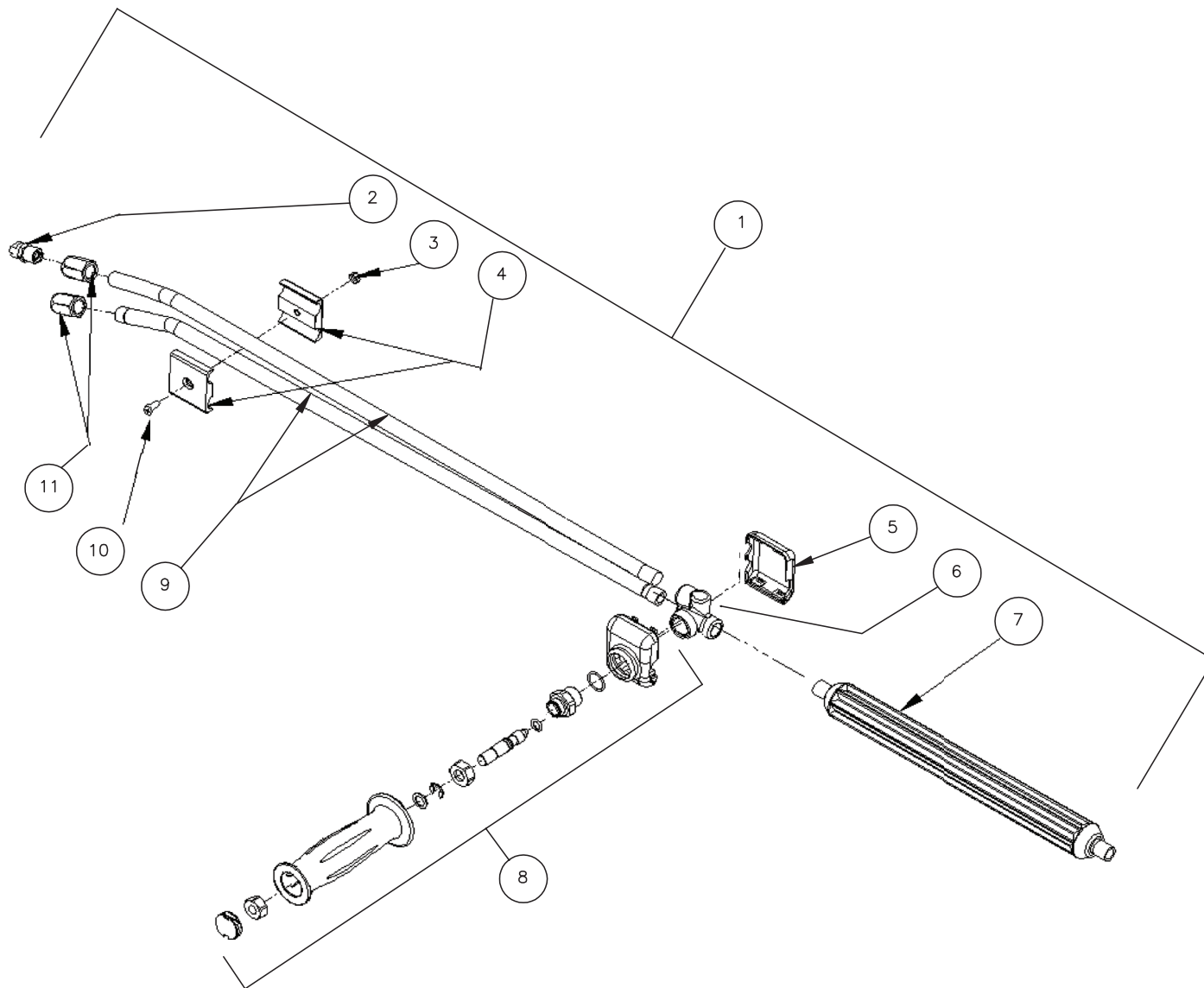


HDC GUN WAND HOSE ASSY-102512-CH



HDC GUN/WAND/HOSE ASSY-102512-CH			
GUN/WAND/HOSE ASSEMBLY			
REF. #	DESCRIPTION	PART #	QTY.
1	Gun Assembly	16-0446	1
2	Dual Lance	16-0417	1
3	Quick Connect Socket	17-0028	1
4	Nozzle- 0004 (HDC-4004)	18-0397	1
-	Nozzle- 1504 (HDC-4004)	18-0399	1
-	Nozzle- 2504 (HDC-4004)	18-0400	1
-	Nozzle- 4004 (HDC-4004)	18-0401	1
-	Nozzle- 0005 (HDC-3505)	18-0406	1
-	Nozzle- 1505 (HDC-3505)	18-0407	1
-	Nozzle- 2505 (HDC-3505)	18-0408	1
-	Nozzle- 4005 (HDC-3505)	18-0409	1
-	Nozzle- 0005.5 (HDC-3005)	18-0410	1
-	Nozzle- 1505.5 (HDC-3005)	18-0411	1
-	Nozzle- 2505.5 (HDC-3005)	18-0412	1
-	Nozzle- 4005.5 (HDC-3005)	18-0413	1
5	Quick Connect Plug	17-0006	1
6	High Pressure Hose Assembly	15-0166	1

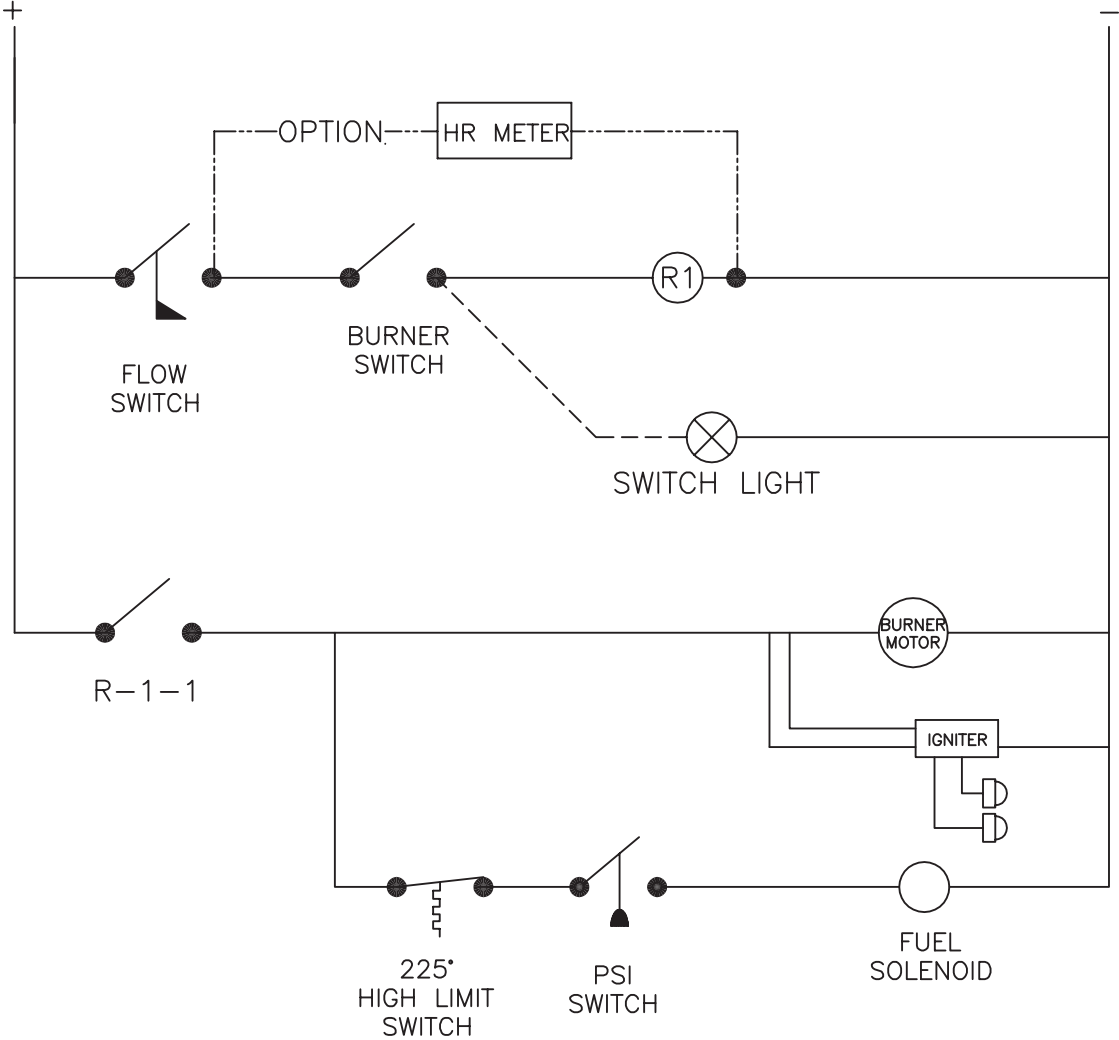
# DUAL LANCE ASSEMBLY (16-0417)



16-0416\_16-0417-102405-RZ

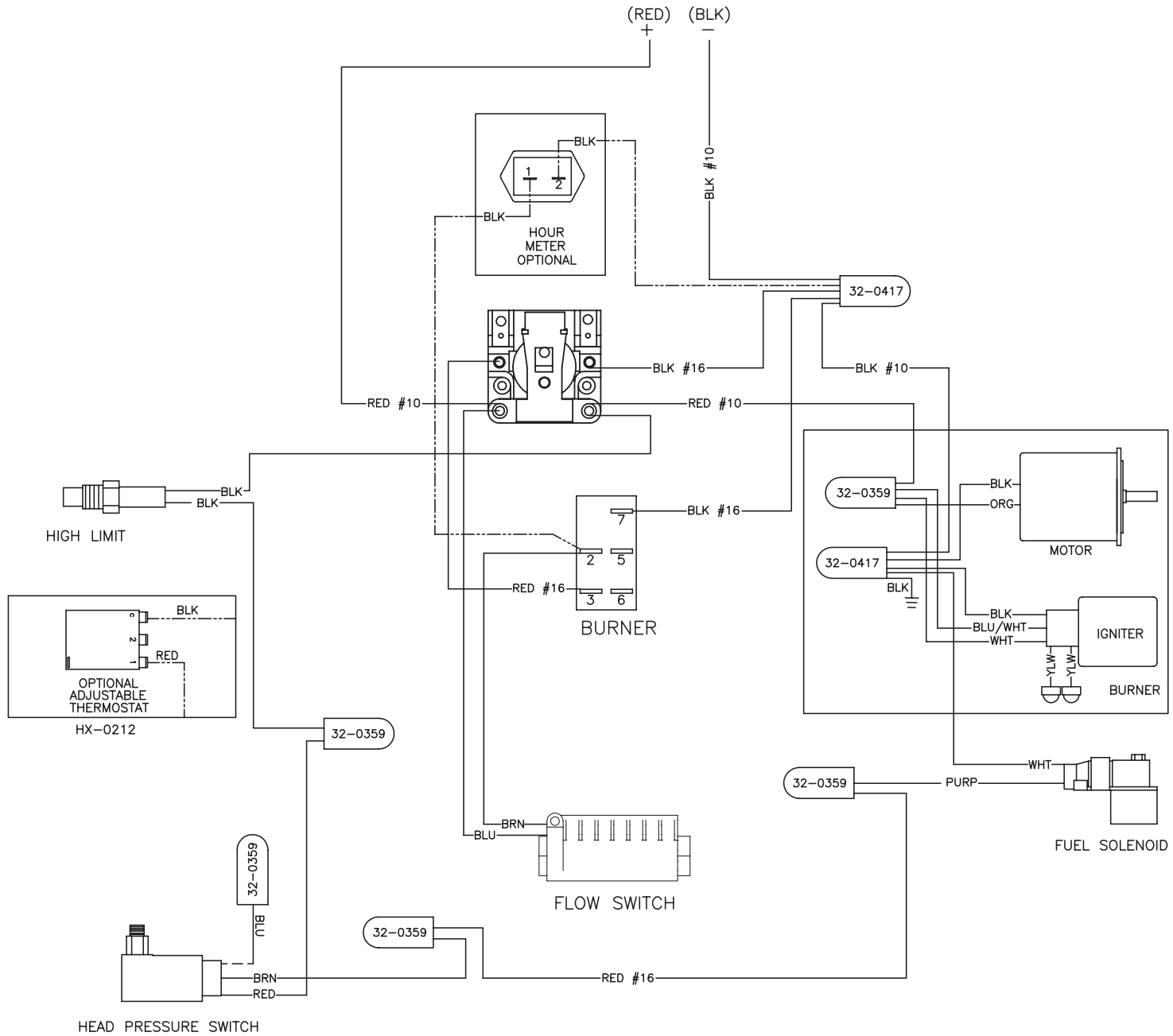
<b>DUAL LANCE ASSEMBLY (16-0416 &amp; 16-0417)</b>			
<b>REF. #</b>	<b>DESCRIPTION</b>	<b>PART #</b>	<b>QTY.</b>
1	Dual Lance Assembly - 36" (Inc. 2-11)	16-0416	1
-	Dual Lance Assembly - 48" (Inc. 2-11)	16-0417	1
2	Detergent Nozzle	18-0110	1
3	Nut	30-6001	1
4	Clamp	16-0420	2
5	Lower Valve Cover (See 16-0416 or 16-0417)	N/A Sep.	1
6	Housing (See 16-0416 or 16-0417)	N/A Sep.	1
7	Lance	16-0419	1
8	Handle Repair Kit	70-0419	1
9	Lance (See 16-0416)	N/A Sep.	2
-	Lance (See 16-0417)	N/A Sep.	2
10	Screw	27-8196	1
11	Nozzle Adapter	24-0280	2

# WIRING SCHEMATIC



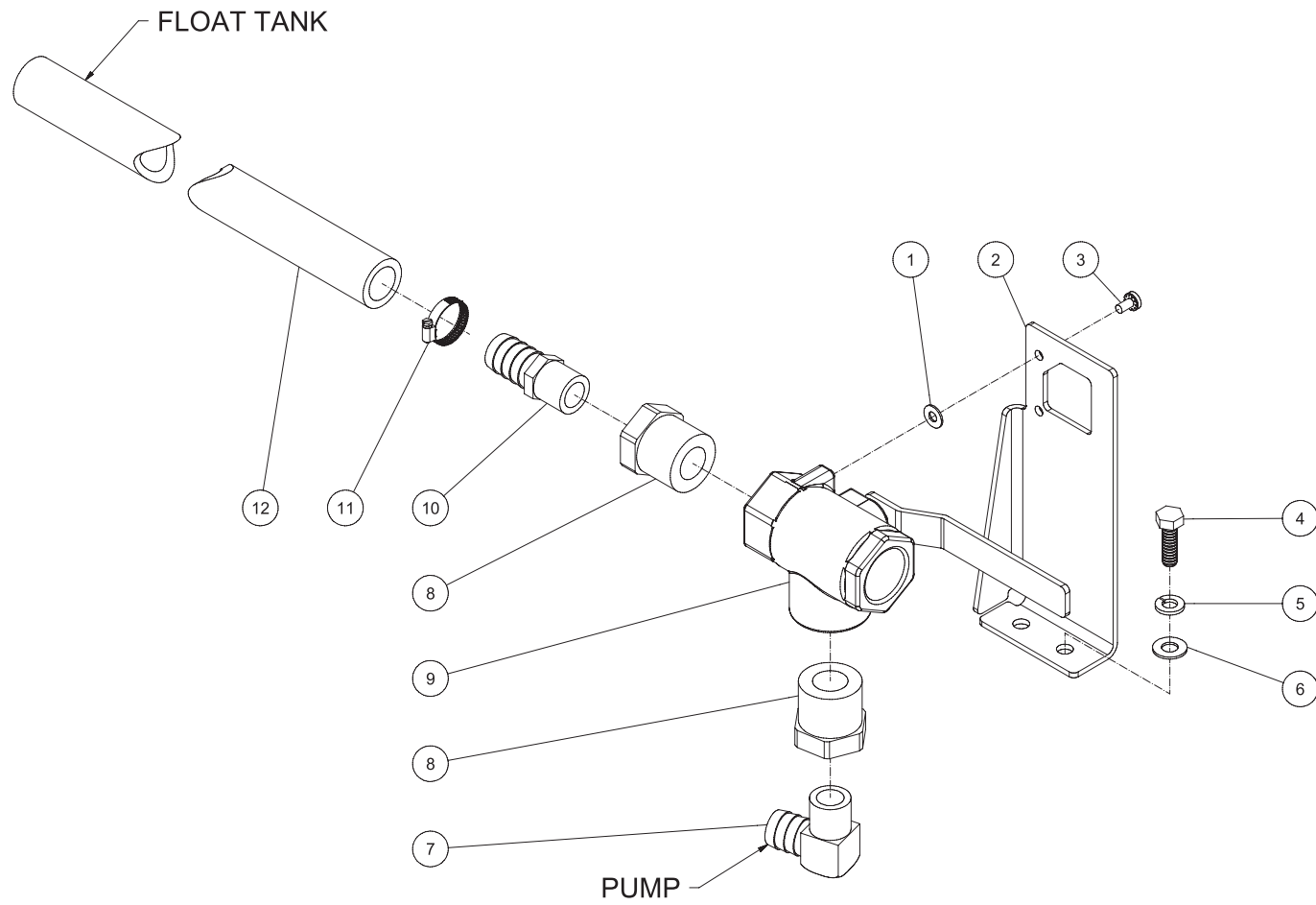
HDC WIRE SCHEMATIC-031813-MLK

# WIRING DIAGRAM



HDC WIRE DIAGRAM-031813-MLK

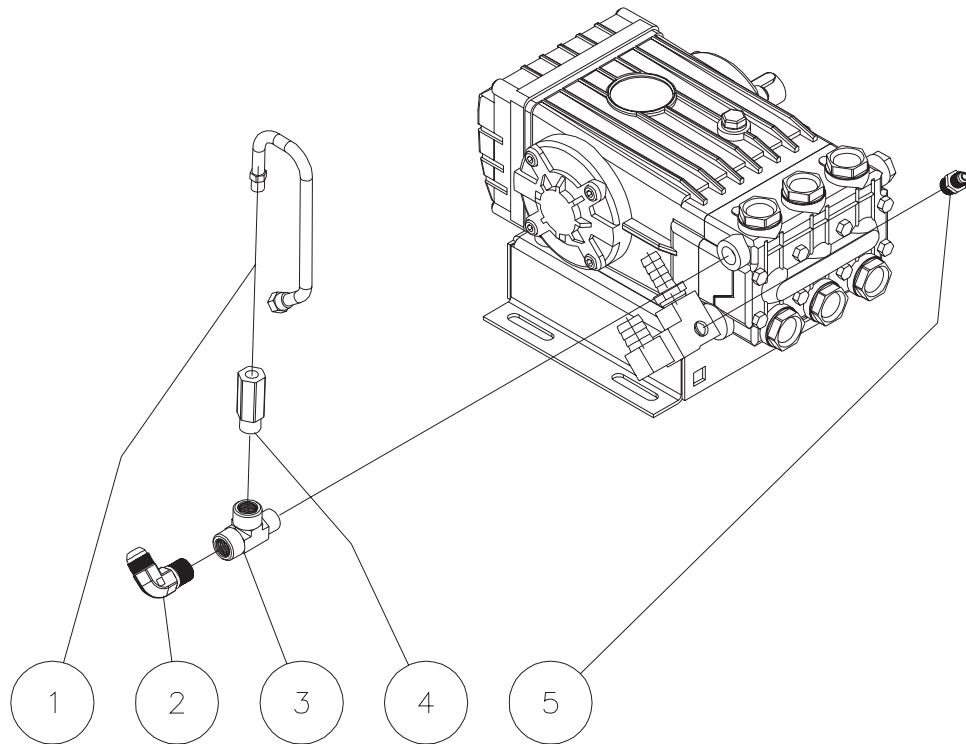
### 3-WAY BALL VALVE OPTION (HX-0130)



HS BALL VALVE ASSY-092910-CH

HS BALL VALVE ASSY OPTION 092910 CH			
3 WAY BALL VALVE OPTION (HX-0130)			
ITEM	DESCRIPTION	PART #	QTY
1	WASHER	28-0001	2
2	BRACKET	20-0560A01	1
3	SCREW	27-9533	2
4	BOLT	27-0067	2
5	LOCKWASHER	29-0007	2
6	WASHER	28-0003	2
7	ELBOW	23-0037	1
8	REDUCER	23-0226	2
9	BALL VALVE	22-0321	1
10	HOSE BARB	23-0036	1
11	HOSE CLAMP	42-0003	1
12	HOSE *(ONE FOOT REQUIRED)	15-0033	1
*MUST ORDER IN ONE FOOT LENGTH			

## PUMP PLUMBING: PRESSURE TRAPPING UNLOADER OPTION (HX-0143) (HDC-3005/3505)



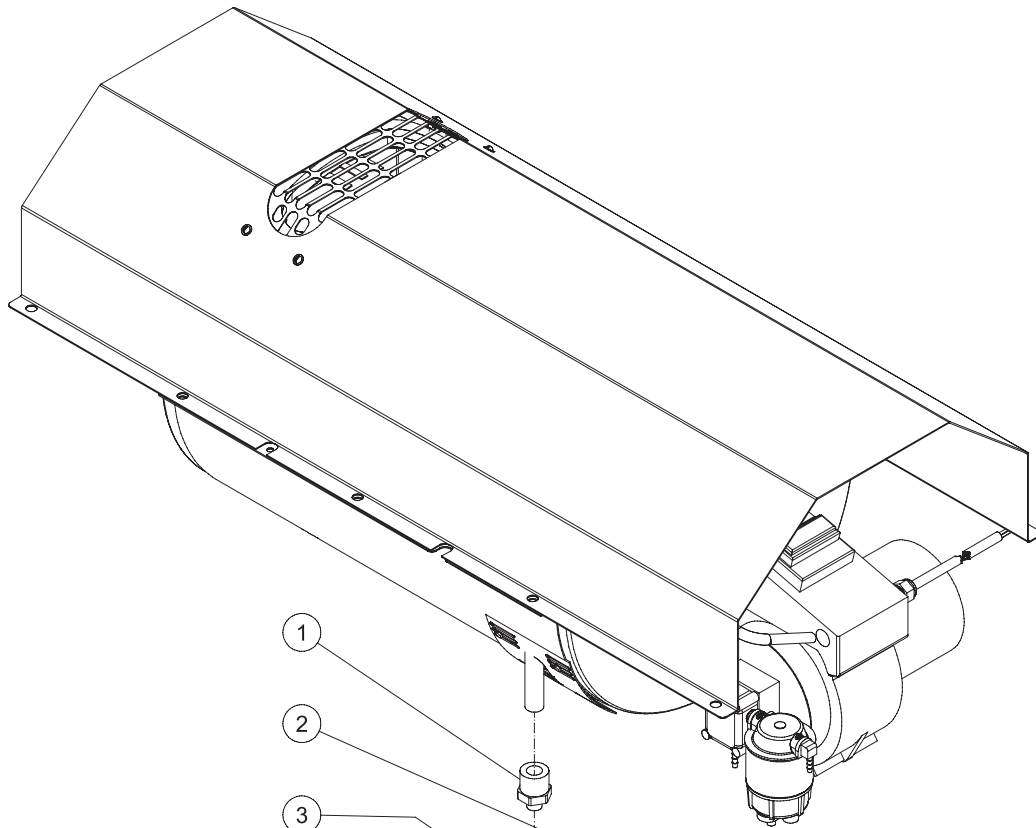
HS PUMP PLUMBING PRESSURE TRAPPING UNLOADER OPTION-082602-BAR

HS/HDC PUMP PLUMBING PRESSURE TRAPPING UNLOADER OPTION-082602-BAR

<b>PUMP PLUMBING: PRESSURE TRAPPING UNLOADER OPTION (HX-0200) (HDC-3005/3505)</b>			
REF. #	DESCRIPTION	PART #	QTY.
1	Easy Start Hose Assembly	15-0140	1
2	Elbow	24-0092	1
3	Tee	23-0058	1
4	Easy Start Valve	22-0242	1
5	Adapter	23-0247	1



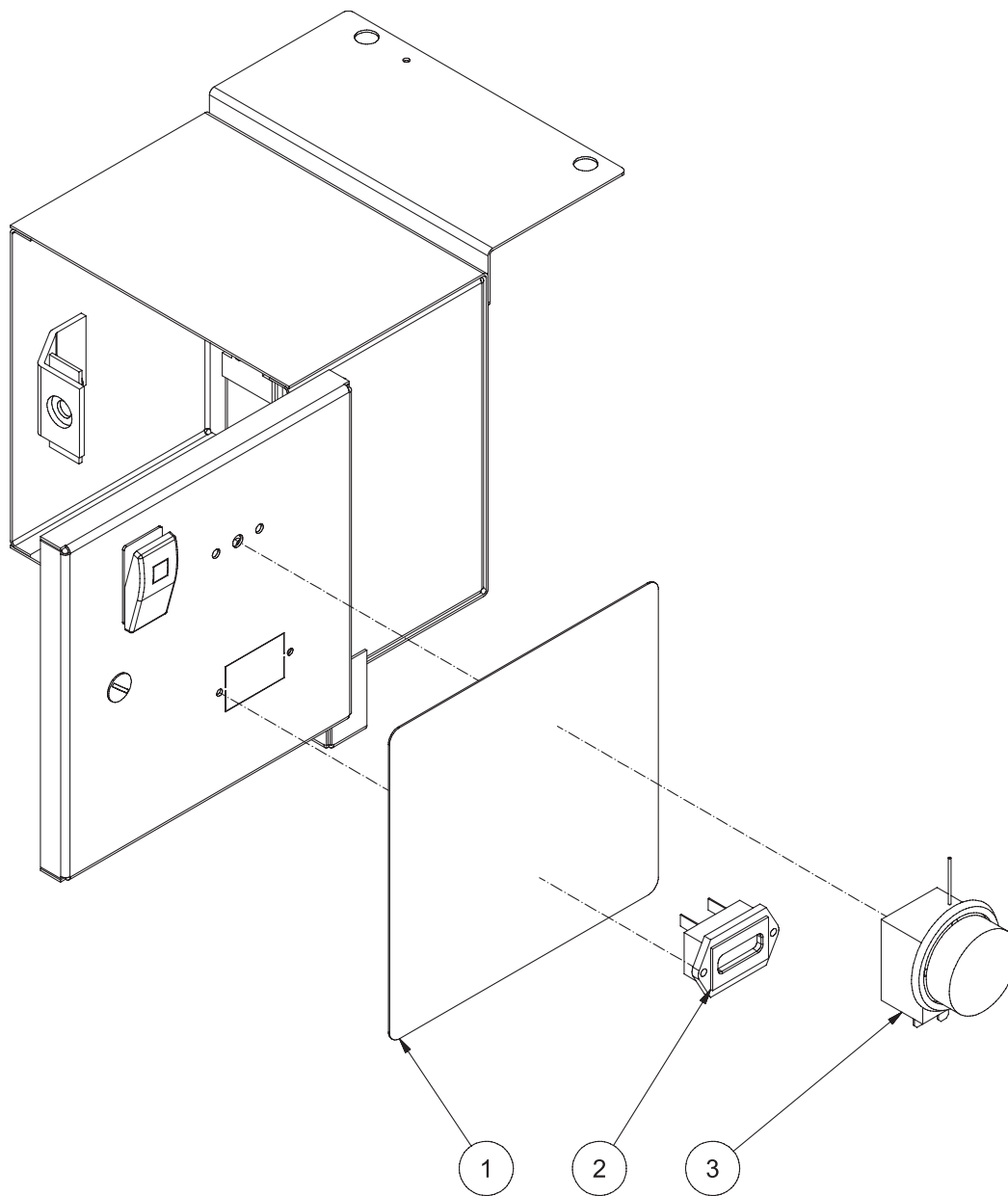
# HEAT EXCHANGER PLUMBING: PRESSURE TRAPPING UNLOADER OPTION (HX-0143) (HDC-3005/3505)



HS HEAT EXCHANGER PLUMBING PRESSURE TRAPPING UNLOADER OPTION-020510-CH

HS HEAT EXCHANGER PLUMBING PRESSURE TRAPPING UNLOADER OPTION 020510 CH			
HEAT EXCHANGER PLUMBING: PRESSURE TRAPPING UNLOADER OPTION (HX-0143, HX-0200, HX-0201)			
ITEM	DESCRIPTION	PART #	QTY
1	REDUCER	24-0048	1
2	PRESSURE SWITCH	22-0243	1
3	UNLOADER	850-0252	1
4	ELBOW	23-0119	1
5	TEE	23-0127	1
6	HEAT DUMP VALVE	22-0408	1
7	ELBOW	24-0092	1

# ADJUSTABLE THERMOSTAT & HOURMETER OPTION (HX-0212 & HX-0156)



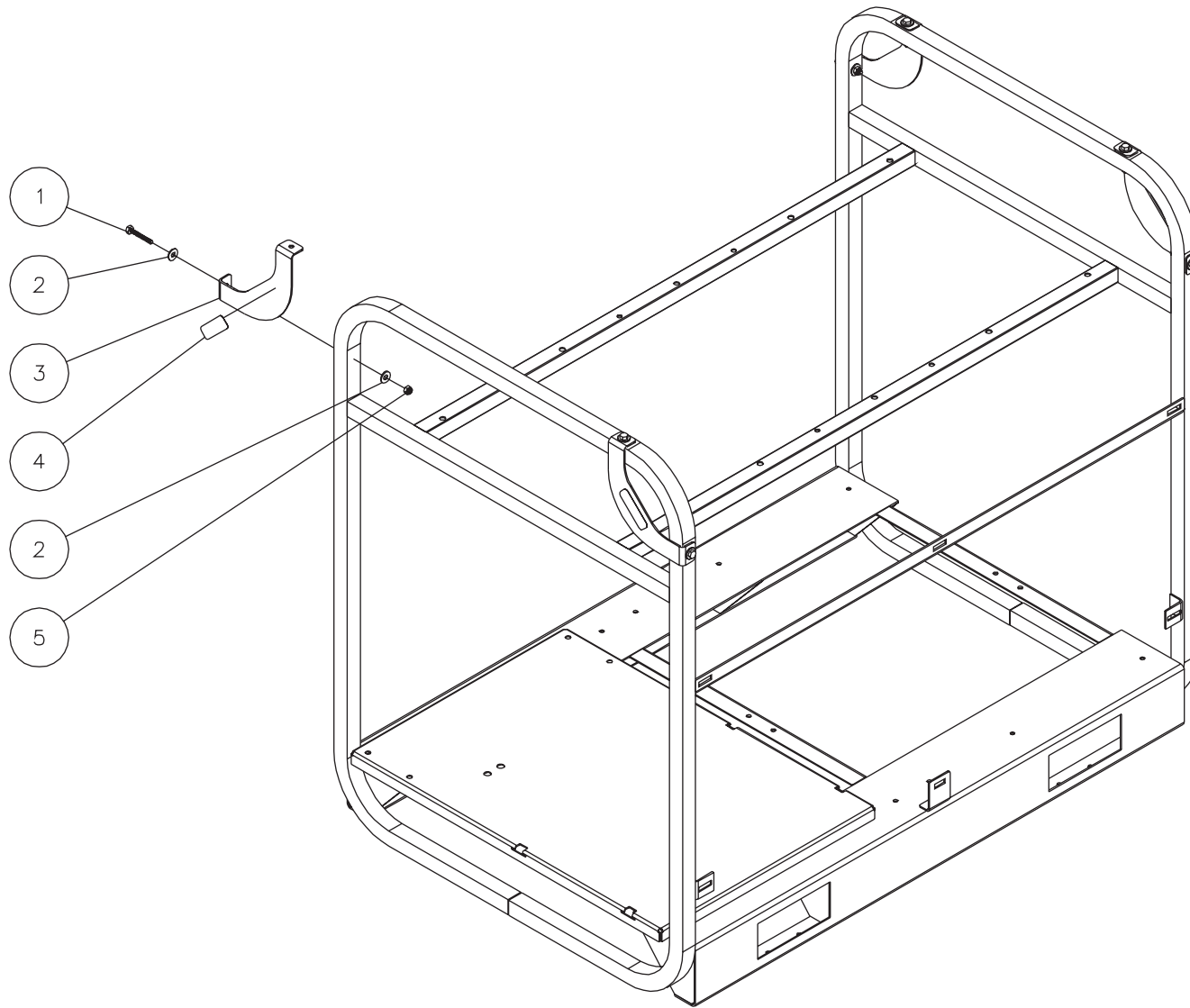
HS ADJUSTABLE THERMOSTAT &  
HOURMETER OPTION-091709-CH

HS\_HDC ADJUSTABLE THERMOSTAT HOURMETER OPTION 091709 CH

ADJUSTABLE THERMOSTAT & HOURMETER OPTION (HX-0212 AND HX-0156)

REF. #	DESCRIPTION	PART #	QTY.
1	DECAL- ELEC BOX W/ BURNER/ HOURMETER (HX-0156)	N/A SEP.	1
-	DECAL- ELEC BOX W/ BURNER/ ADJ. THERMOSTAT/ HOURMETER (HX-0212 & HX-0156)	N/A SEP.	1
-	DECAL- ELEC BOX W/ BURNER/ ADJ. THERMOSTAT (HX-0212)	N/A SEP.	1
2	HOURMETER (HX-0156)	32-0431	1
3	ADJUSTABLE THERMOSTAT	32-0962	1

# LIFTING HOOK OPTION (HX-0147)

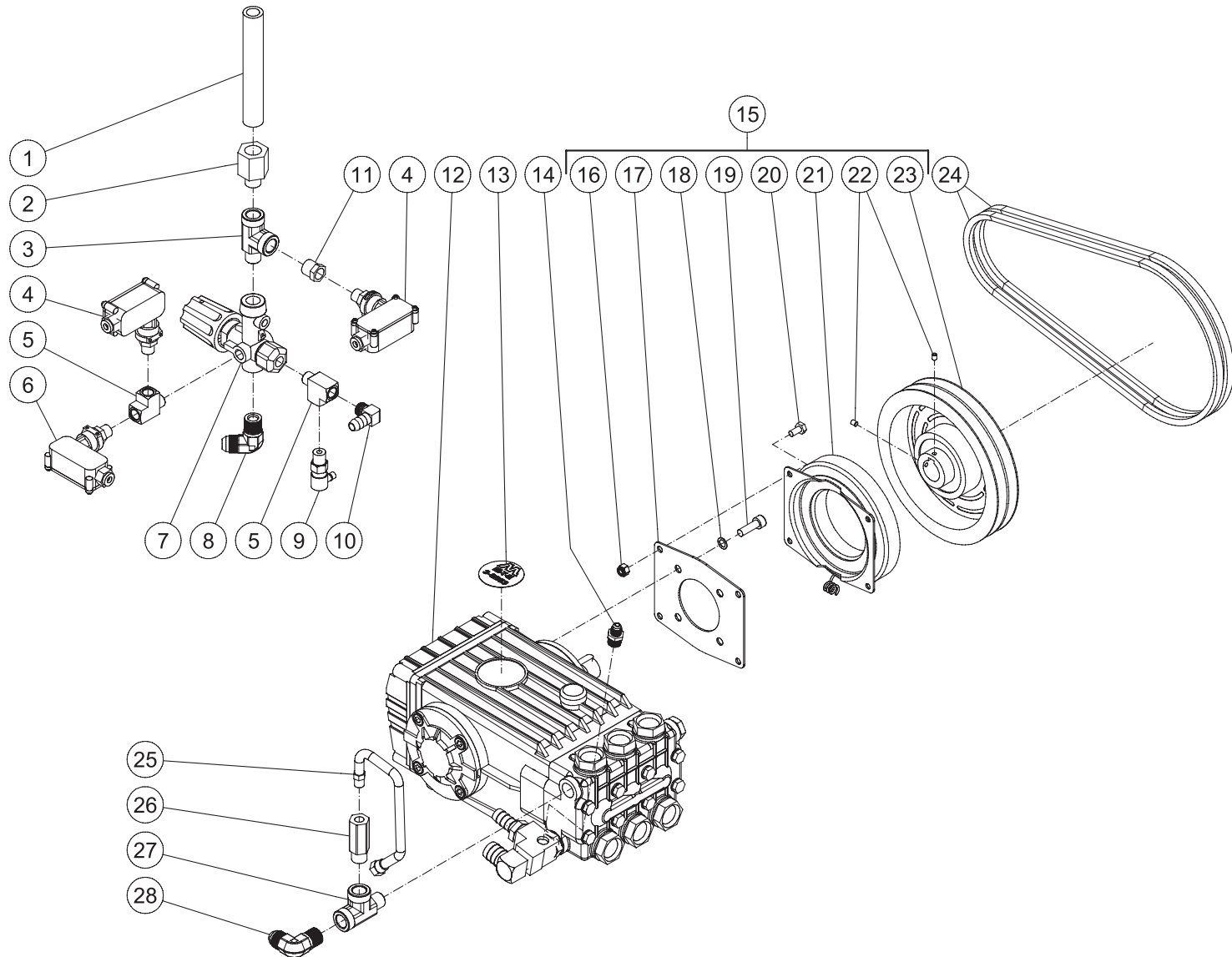


LIFTING HOOK OPTION-071502-BAR

HS LIFTING HOOK OPTION-071502-BAR

LIFTING HOOK OPTION (HX-0147)			
REF. #	DESCRIPTION	PART #	QTY.
1	Bolt	27-0071	8
2	Washer	28-0022	16
3	Lift Bracket	20-0665A18	4
4	Decal- Lift (See 34-9024)	N/A Sep.	4
5	Locknut	30-0157	8
	Safety Decal Kit (Includes 4)	34-9024	

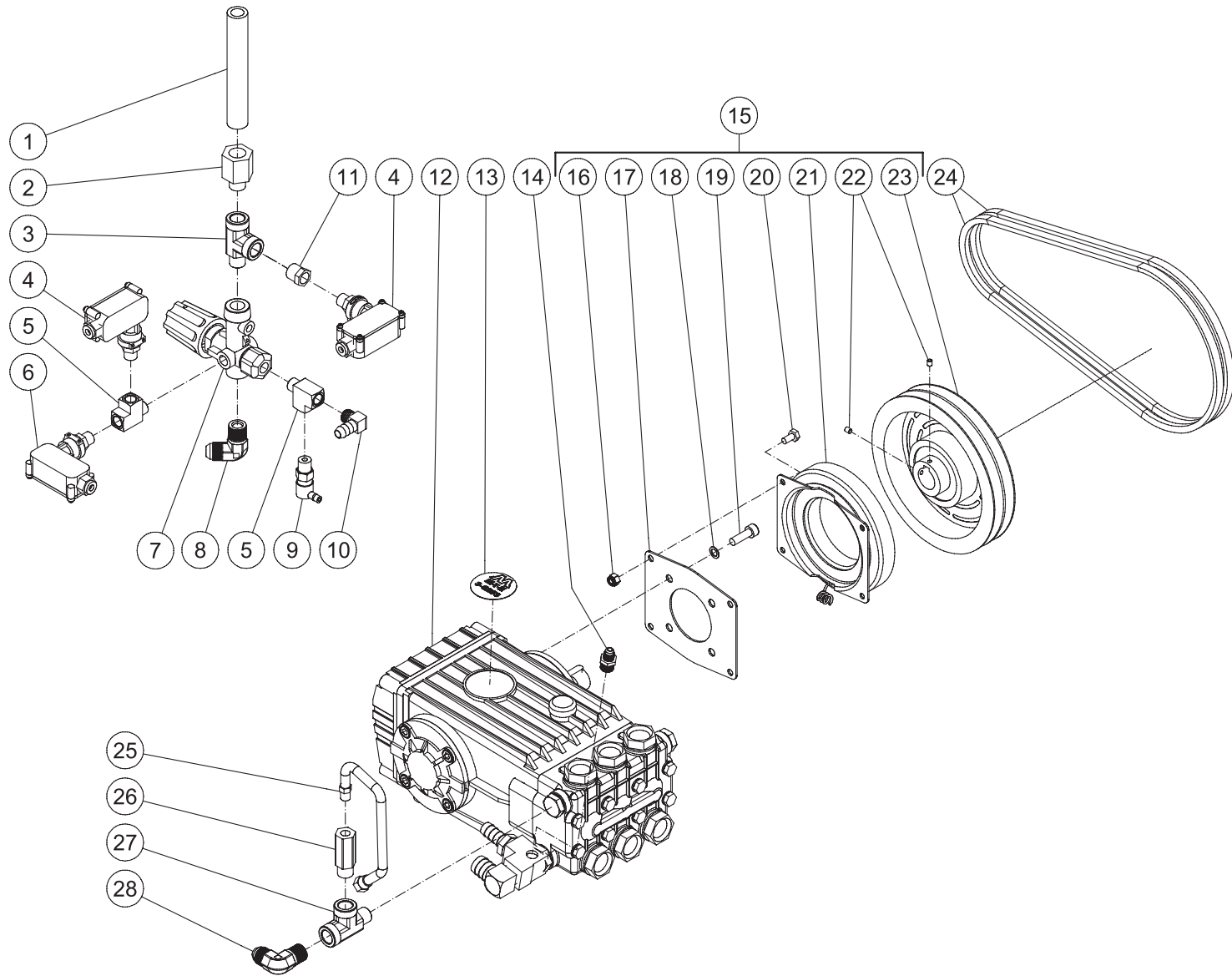
# CLUTCH DRIVE OPTION (3005) (HX-0229)



HX-0227\_HX-0229\_HX-0257 OPTION CLUTCH 021015 MLK

OPTION/CLUTCH			
ITEM	DESCRIPTION	PART #	QTY
1	PIPE NIPPLE	24-0246	1
2	REDUCER	24-0048	1
3	STREET TEE	23-0058	1
4	PRESSURE SWITCH	22-0243	2
5	TEE	23-0127	2
6	PRESSURE SWITCH	22-0171	1
7	UNLOADER	850-0252	1
8	ELBOW	24-0092	1
9	HEAT DUMP VALVE	22-0408	1
10	ELBOW	23-0119	1
11	REDUCER	23-0017	1
12	PUMP	3-0203	1
13	DECAL - PUMP	34-2290	1
14	NIPPLE	23-0247	1
15	CLUTCH	10-0156	1
16	LOCKNUT	30-0155	4
17	CLUTCH MOUNTING PLATE	N/A	1
18	LOCKWASHER	29-0154	4
19	BOLT	27-8194	4
20	BOLT	27-0014	4
21	CLUTCH	N/A	1
22	SET SCREW	27-8895	2
23	SHEAVE	N/A	1
24	BELT	11-0023	2
25	EASY START HOSE	15-0140	1
26	EASY START VALVE	22-0242	1
27	TEE	23-0058	1
28	ELBOW	24-0092	1
-	NOZZLE 00050 QC	18-0406	1
-	NOZZLE 15050 QC	18-0407	1
-	NOZZLE 25050 QC	18-0408	1
-	NOZZLE 40050 QC	18-0409	1

# CLUTCH DRIVE OPTION (3505) (HX-0230)

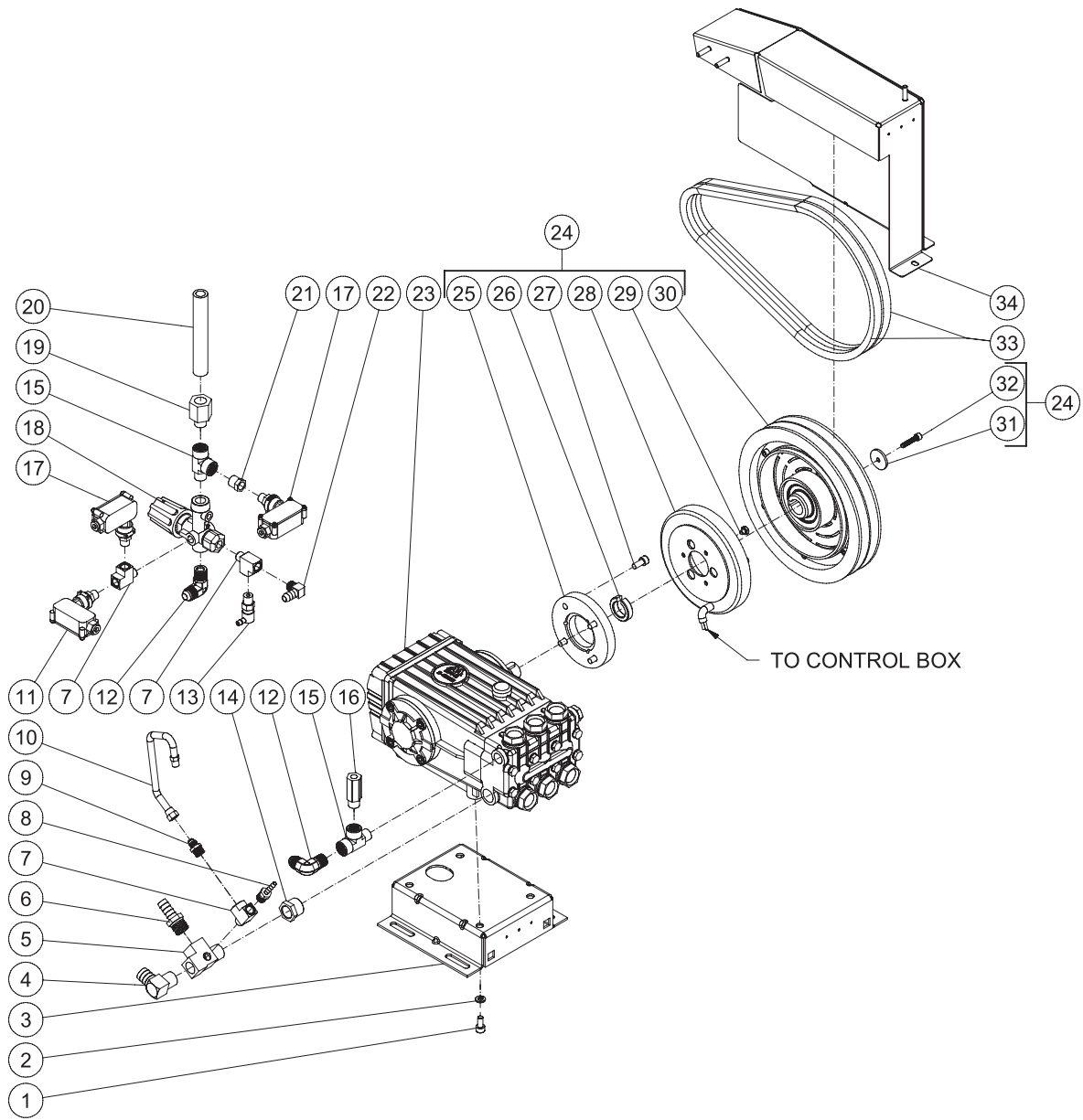


HX-0228\_HX-0230\_HX-0258\_OPTION\_CLUTCH\_012315



OPTION/CLUTCH			
ITEM	DESCRIPTION	PART #	QTY
1	PIPE NIPPLE	24-0246	1
2	REDUCER	24-0048	1
3	STREET TEE	23-0058	1
4	PRESSURE SWITCH	22-0243	2
5	TEE	23-0127	2
6	PRESSURE SWITCH	22-0171	1
7	UNLOADER	850-0252	1
8	ELBOW	24-0092	1
9	HEAT DUMP VALVE	22-0408	1
10	ELBOW	23-0119	1
11	REDUCER	23-0017	1
12	PUMP	3-0203	1
13	DECAL - PUMP	34-2290	1
14	NIPPLE	23-0247	1
15	CLUTCH	10-0156	1
16	LOCKNUT	30-0155	4
17	CLUTCH MOUNTING PLATE	N/A	1
18	LOCKWASHER	29-0154	4
19	BOLT	27-8194	4
20	BOLT	27-0014	4
21	CLUTCH	N/A	1
22	SET SCREW	27-8895	2
23	SHEAVE	N/A	1
24	BELT	11-0023	2
25	EASY START HOSE	15-0140	1
26	EASY START VALVE	22-0242	1
27	TEE	23-0058	1
28	ELBOW	24-0092	1
			1
-	NOZZLE 00045 QC	18-0402	1
-	NOZZLE 15045 QC	18-0403	1
-	NOZZLE 25040 QC	18-0400	1
-	NOZZLE 40045 QC	18-0405	1

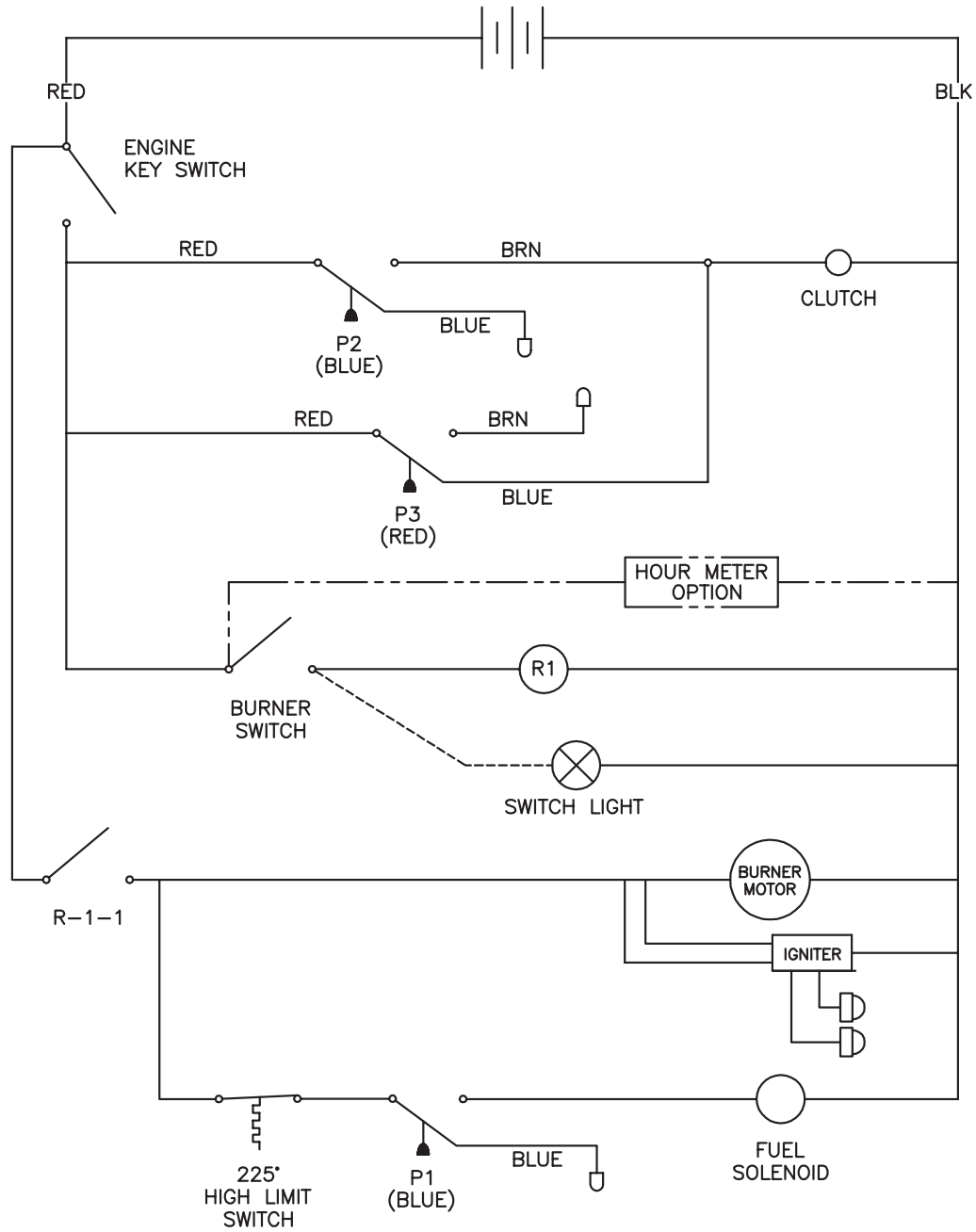
# CLUTCH DRIVE OPTION 9.75" (HX-0266)



HX-0261, 0262, 0263, 0266 - HDS\_HDC 041116 MLK

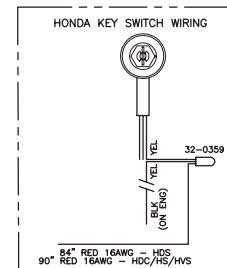
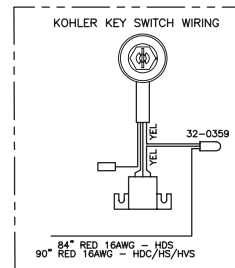
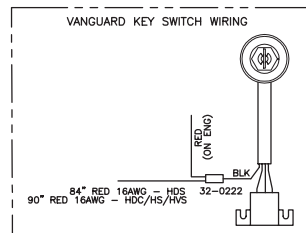
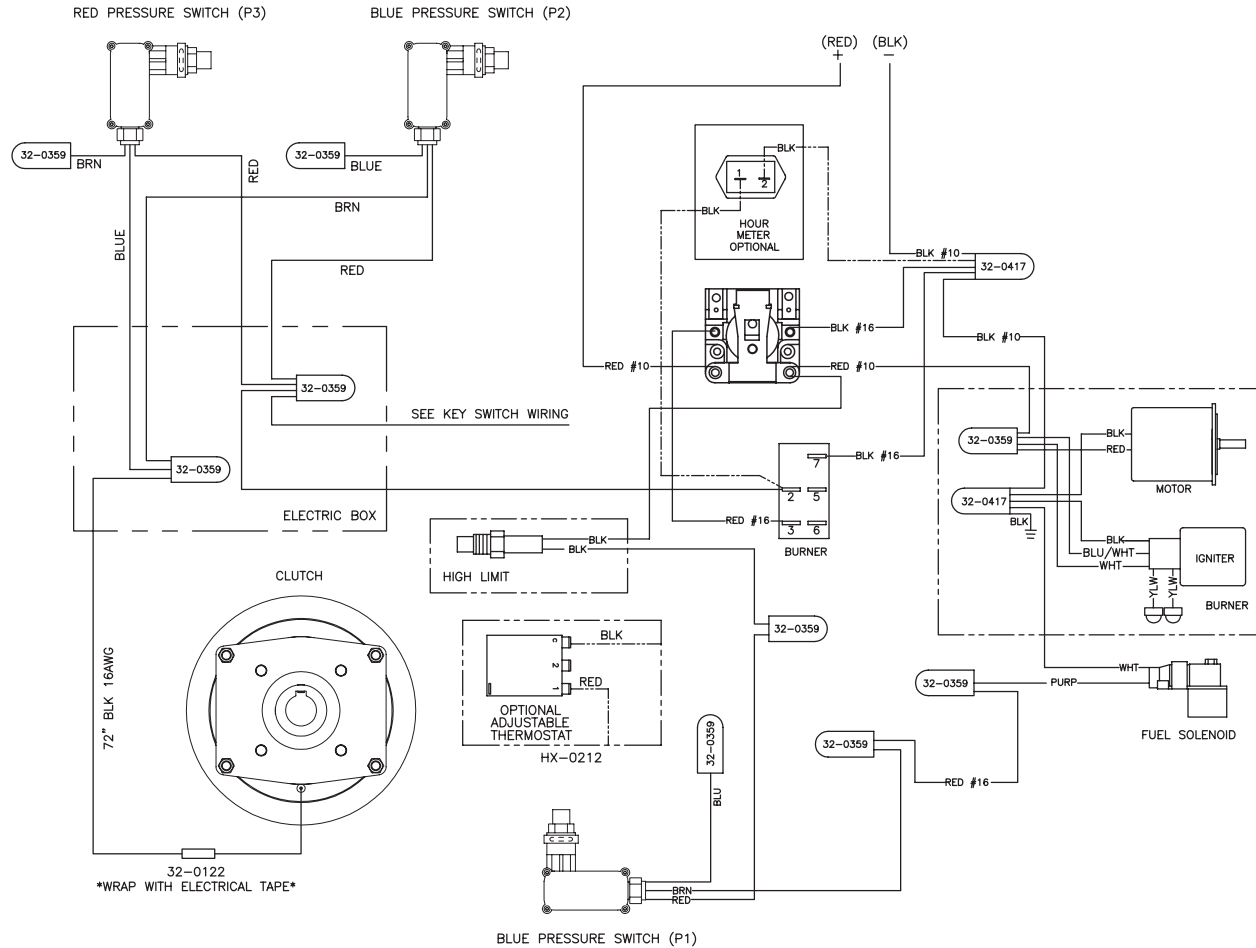
CLUTCH ASSEMBLY 9.75"			
ITEM	DESCRIPTION	PART #	QTY
1	BOLT	27-8884	4
2	LOCKWASHER	29-0054	4
3	PUMP HAT	5-0364A18	1
4	ELBOW	23-0037	1
5	STREET TEE	23-0388	1
6	BARB	23-0045	1
7	TEE	23-0127	3
8	BARB	23-0051	1
9	UNION	23-0247	1
10	EASY START HOSE	15-0140	1
11	PRESSURE SWITCH	22-0171	1
12	ELBOW	24-0092	2
13	HEAT DUMP VALVE	22-0408	1
14	BUSHING	23-0023	1
15	STREET TEE	23-0058	2
16	EASY START VALVE	22-0242	1
17	PRESSURE SWITCH	22-0243	2
18	UNLOADER	850-0252	1
19	REDUCER	24-0048	1
20	PIPE NIPPLE	24-0246	1
21	REDUCER	23-0017	1
22	ELBOW	23-0119	1
23	PUMP	N/A SEP.	1
24	CLUTCH ASSEMBLY	10-0167	1
25	PLATE	N/A	1
26	SPACER	N/A	1
27	BOLT	27-8433	4
28	COIL	N/A	1
29	SCREW	N/A	3
30	PULLEY ASSEMBLY	N/A	1
31	FENDER WASHER	N/A	1
32	BOLT	27-8404	1
33	BELT	11-0052	2
34	BELTGUARD (CLUTCH OPTION)	6-0184A18	1

# WIRING SCHEMATIC (HX-0229 AND HX-0230)



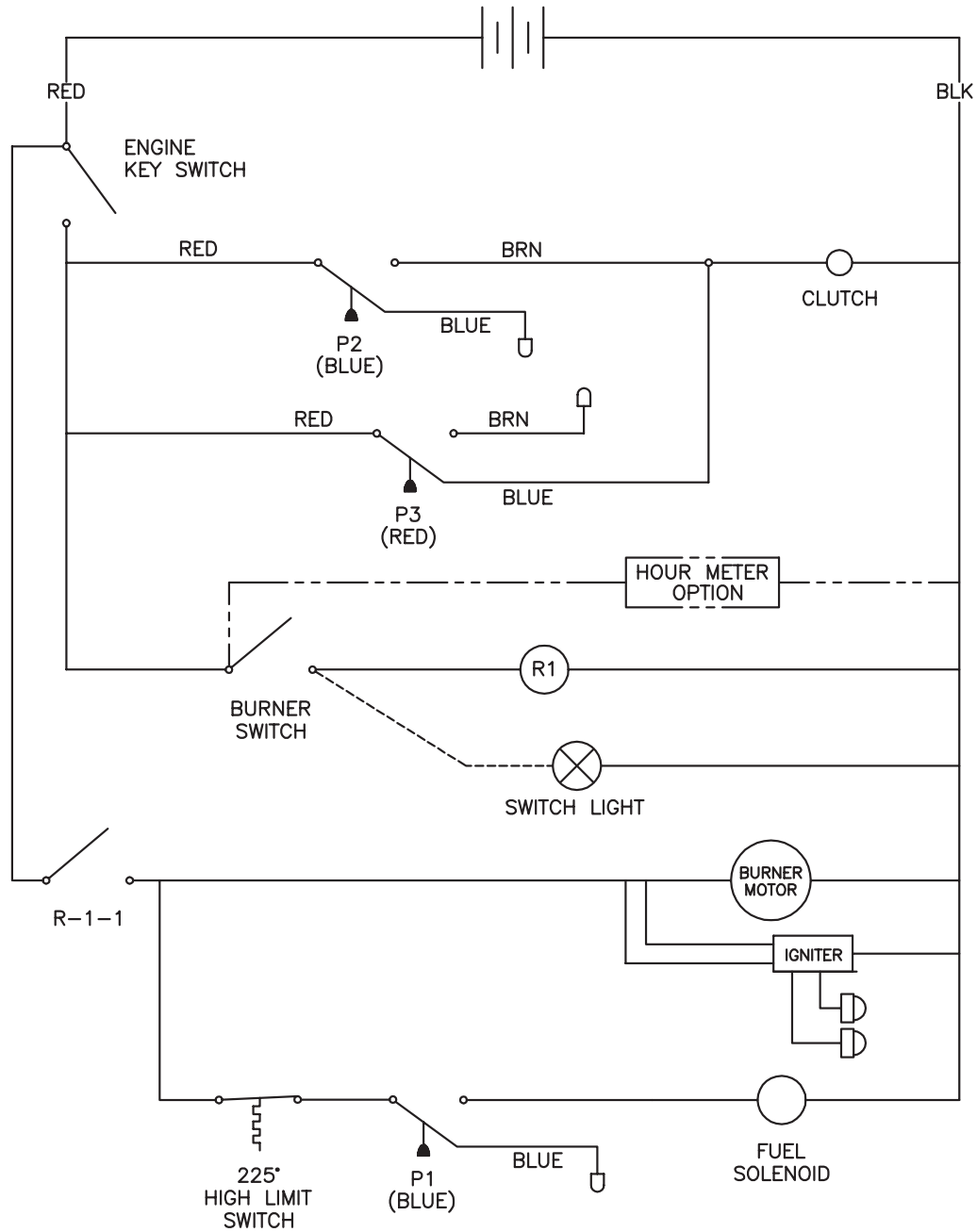
WIRING SCHEMATIC HX-0229 031913 MLK

# WIRING DIAGRAM (HX-0229 AND HX-0230)



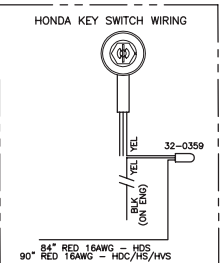
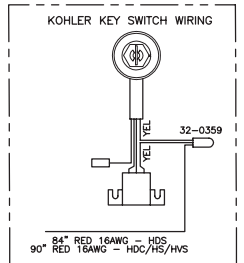
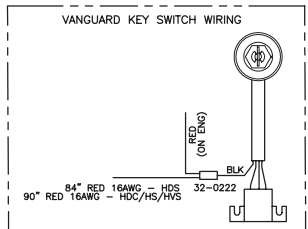
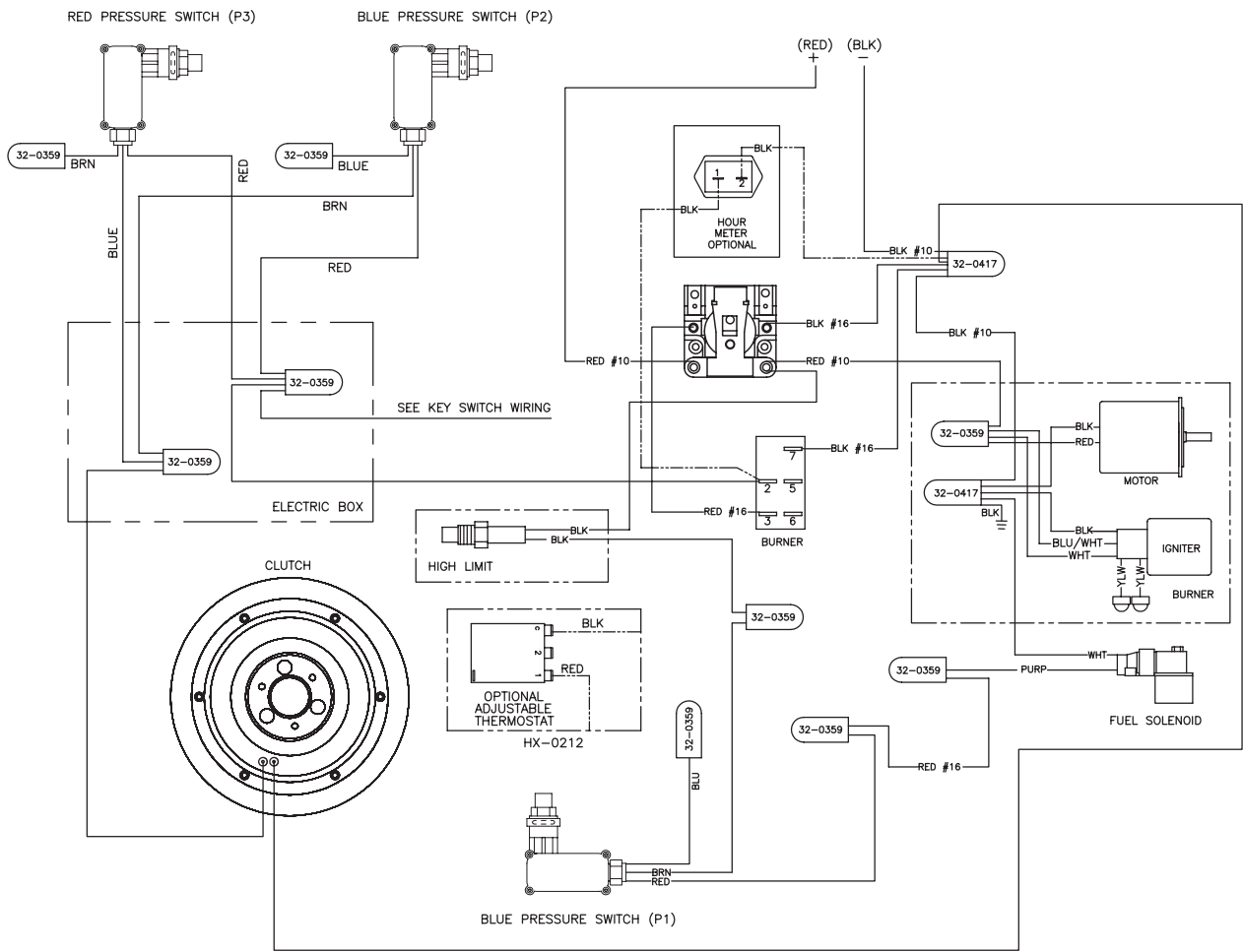
WIRING DIAGRAM HX-0229 031913 MLK

# WIRING SCHEMATIC (HX-0266)



WIRING SCHEMATIC HX-0266 032316 MLK

# WIRING DIAGRAM (HX-0266)



WIRING DIAGRAM HX-0266 032316 MLK

Manufactured by Mi-T-M  
50 Mi-T-M Drive, Peosta IA 52068  
563-556-7484/ Fax 563-556-1235