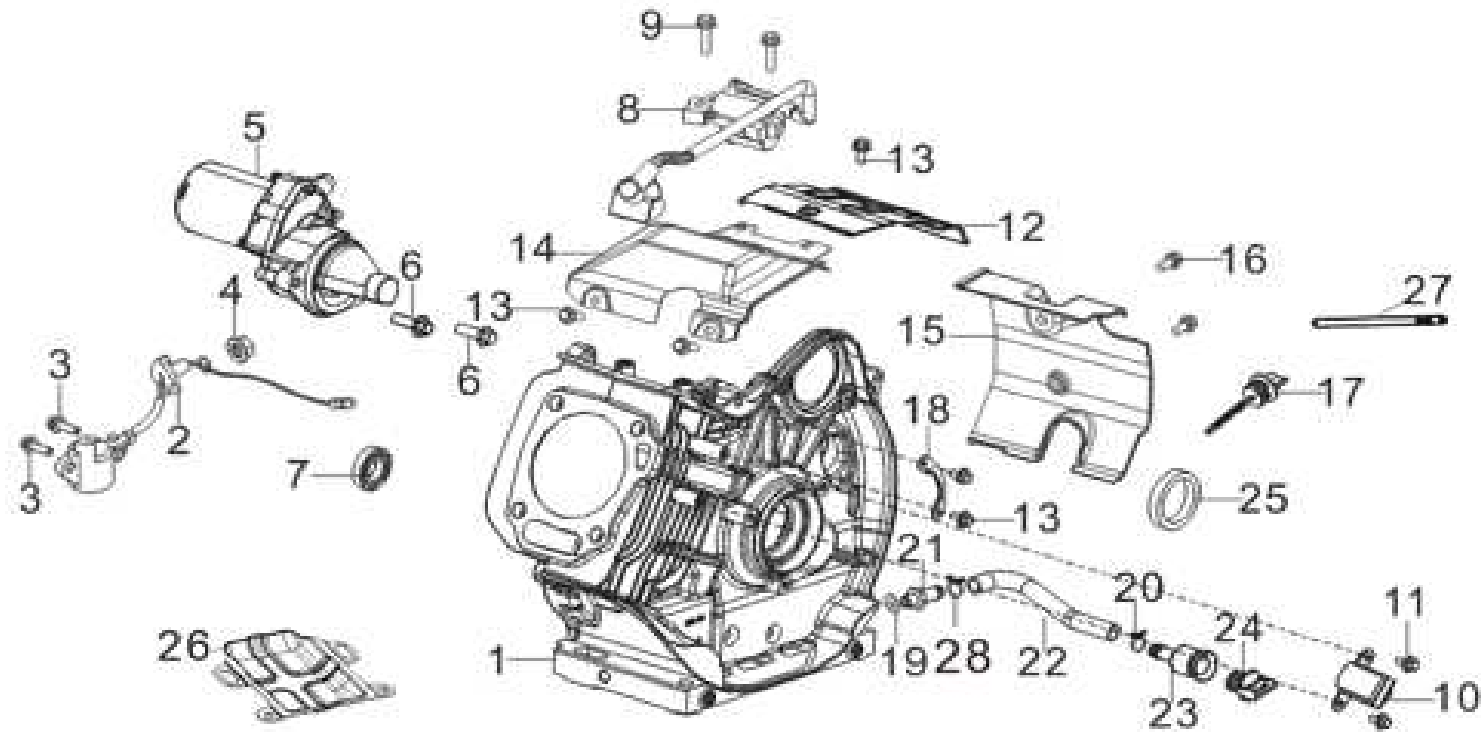


**8000W MITM GENERATOR**



DATE:	DESCRIPTION:	BY:
1/13/2023	REPLACE 80-0149 WITH 45-0435 GASKET, THEY ARE THE SAME	JJR

**FIG.1 CRANKCASE / GEAR ASSEMBLY, GOVERNOR**

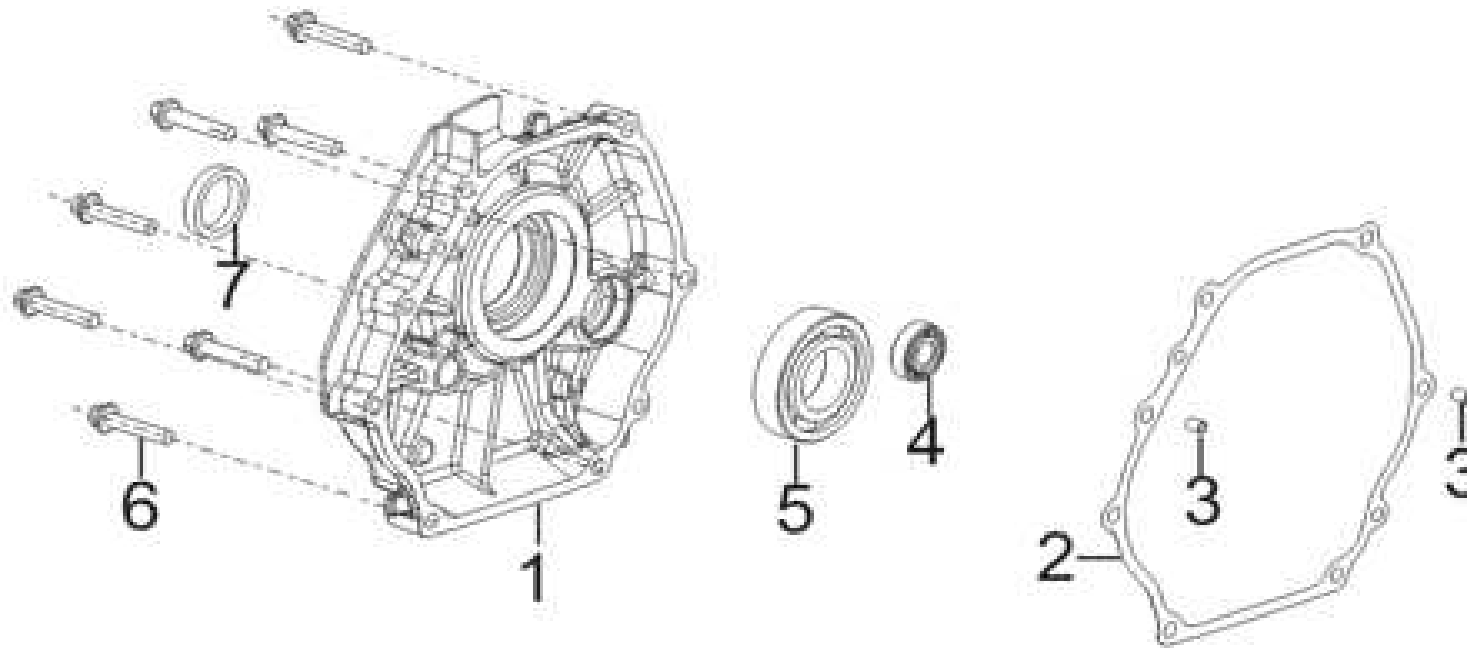


REF NO.	DESCRIPTION	QTY	MITM #	RATO #
1-01	CRANKCASE SUBASSEMBLY.	1	80-0808	11310-Z1E0110-0B00
1-02	SENSOR, ENGINE OIL	1	45-0787	37060-Z080120-0000
1-03	BOLT	2	80-0365	90001-0616-01A0
1-04	HEXAGON NUT WITH FLANGE	1	80-0396	90305-Z010210-01A0
1-05	STARTING MOTOR ASSEMBLY	1	80-0809	30300-Z980120-0000
1-06	BOLT	2	80-0810	90001-0825-01A0
1-07	DEEP GROOVE BALL BEARING	1	45-0567	90548-0202-CLA0
1-08	COIL, IGNITION	1	80-0811	30400-Z1E0310-0001
1-09	BOLT	2	80-0467	90001-0625-01A0
1-10	TRIGGER ASSY.	1	80-0812	30130-Z1E0110-0000
1-11	BOLT	2	80-0394	90001-0516-01A0
1-12	AIR SHIELD	1	80-0813	28118-Z1E0110-0000
1-13	BOLT	5	80-0405	90001-0612-01A0

**FIG.1 CRANKCASE / GEAR ASSEMBLY, GOVERNOR CONTINUED**

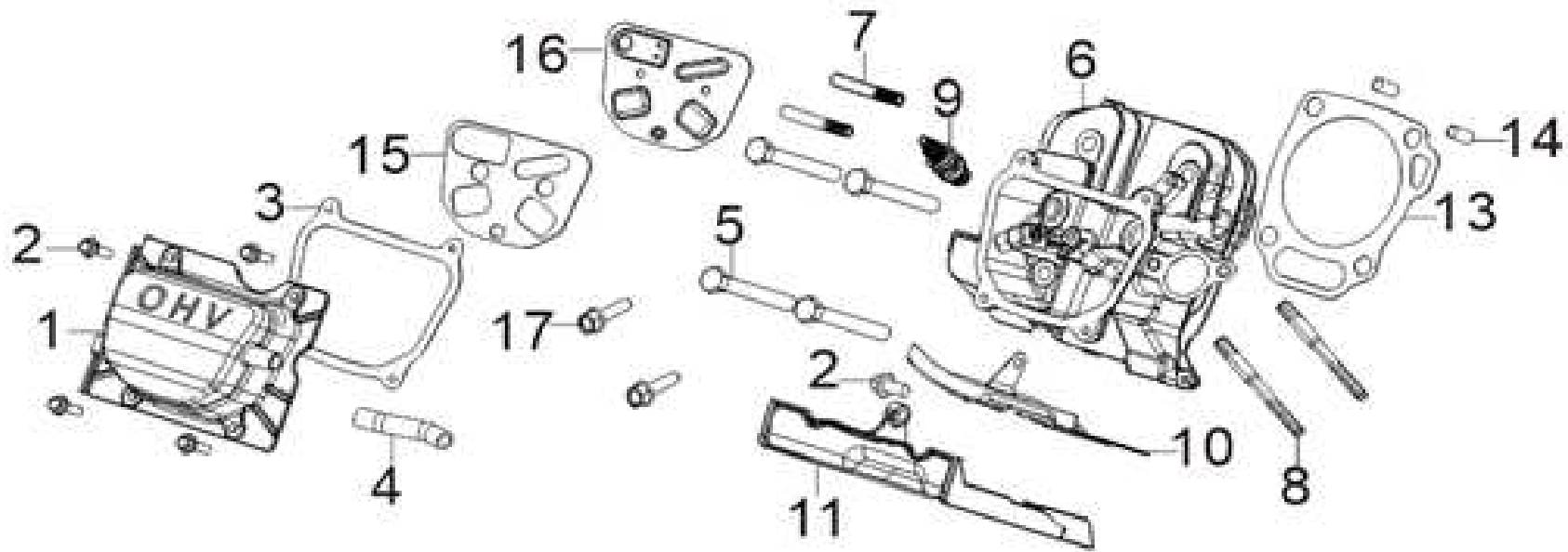
1-14	SHROUD, CYLINDER BODY	1	80-0814	19304-Z1E0110-0000
1-15	SHIELD, CRANKCASE REAR	1	80-0815	19351-Z1E0110-0000
1-16	BOLT	2	80-0365	90001-0616-01A0
1-17	DIPSTICK SUBASSEMBLY, OIL	1	45-0928	15010-Z080130-Q500
1-18	CLAMP, MAGNETO WIRING	1	80-0945	30002-Z1E0110-0000
1-19	FLAT WASHER - GRADE A	1	80-0390	90408-Z010510-00A0
1-20	PIPE CLAMP	1	80-0946	90685-D160-0EA0
1-21	JOINT, FUEL TUBE	1	80-0391	90689-Z430211-00A0
1-22	TUBE, OIL DRAIN	1	80-0816	11011-Z1E0110-0000
1-23	JOINT, FUEL TUBE	1	80-0817	90689-Z430110-00A0
1-24	PLUG SUBASSEMBLY, ENGINE OIL	1	45-0938	15030-Z010130-Q500
1-25	SEAL, OIL	1	80-0590	90682-Z0J0110-0000
1-26	DEFLECTOR, CRANKCASE AIR	1	80-0818	19306-Z1E0110-0000
1-27	WIRE CLIP	1	80-0592	90684-Z010310-0000
1-28	PIPE CLAMP	1	80-0946	90685-D160-0EA0

**FIG.2 CRANKCASE COVER SUBASSEMBLY**



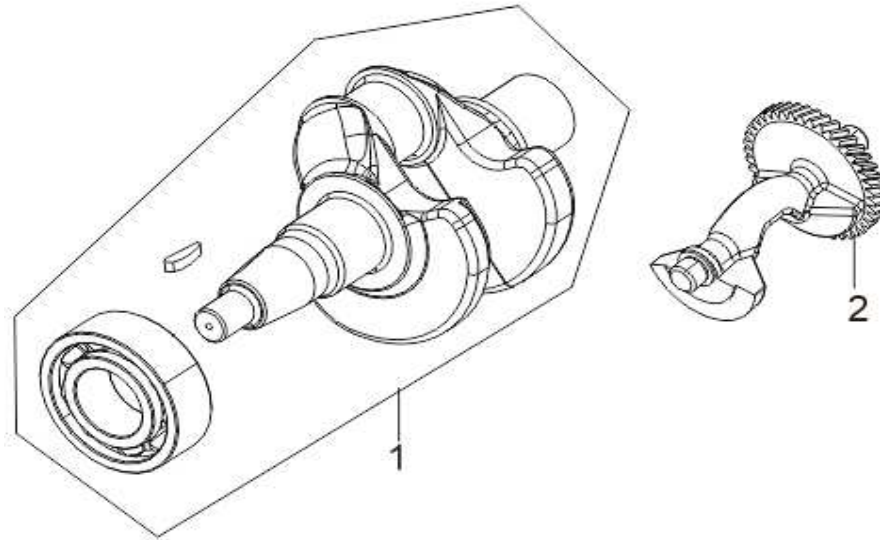
REF NO.	DESCRIPTION	QTY	MITM #	RATO #
2-01	COVER, CRANKCASE	1	80-0819	11411-Z1E0110-0B00
2-02	GASKET, CRANKCASE	1	80-0820	11001-Z100220-00A0
2-03	POSITION PIN	2	80-0407	90502-0812-00A0
2-04	DEEP GROOVE BALL BEARING	1	45-0567	90548-0202-CL
2-05	DEEP GROOVE BALL BEARING	1	45-0571	90547-0207-CL
2-06	BOLT	7	80-0582	90001-0840-01A0
2-07	SEAL, OIL	1	45-0385	90682-Z100110-0000

**FIG.3 CYLINDER HEAD SUBASSEMBLY / SPARK PLUG**



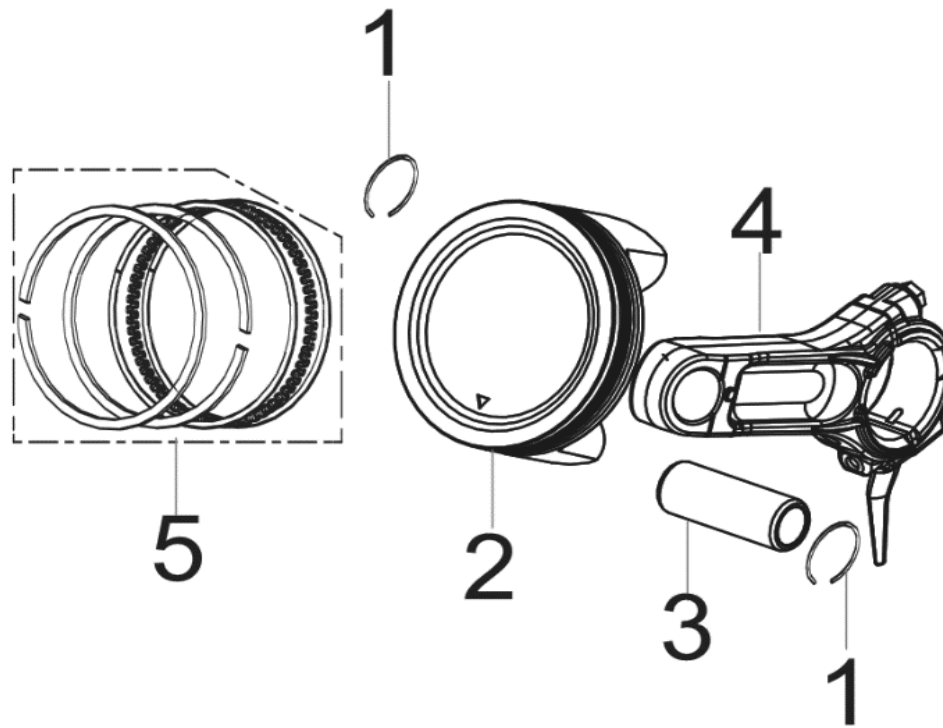
REF NO.	DESCRIPTION	QTY	MITM #	RATO #
3-01	COVER SUBASSEMBLY, CYLINDER HEAD	1	80-0821	12410-Z1E0110-0B00
3-02	BOLT	5	80-0411	90001-0620-01A0
3-03	CYLINDER HEAD COVER GASKET	1	80-0822	12004-Z1E0110-0000
3-04	TUBE, BREATHER	1	80-0947	17004-Z1E0310-00A0
3-05	CYLINDER HEAD BOLT	4	45-0239	12003-Z080110-0000
3-06	HEAD SUBASSEMBLY, CYLINDER	1	80-0823	12140-Z1E0210-0BA0
3-07	STUD BOLT	2	80-0824	90204-Z940210-0300
3-08	STUD BOLT	2	80-0605	90204-Z100410-0000
3-09	PLUG, SPARK	1	45-0192	30010-Z050110-0000
3-10	CYLINDER HEAD WIND DEFLECTOR	1	80-0825	12014-Z1E0110-0000
3-11	SHROUD 2, CYLINDER BODY	1	80-0826	19305-Z1E0110-0000
3-13	GASKET, CYLINDER HEAD	1	80-0827	12131-Z190510-00A0
3-14	POSITION PIN	2	45-0330	90502-1220-00
3-15	GASKET, BREATH GROOVE	1	80-0828	11332-Z1E0110-0000
3-16	STOP ENGINE PIECE SUBASSEMBLY	1	80-0829	11320-Z1E0110-0000
3-17	BOLT	2	80-0673	90001-0512-01A0

**FIG.4 CRANKSHAFT CONNETING ROD**



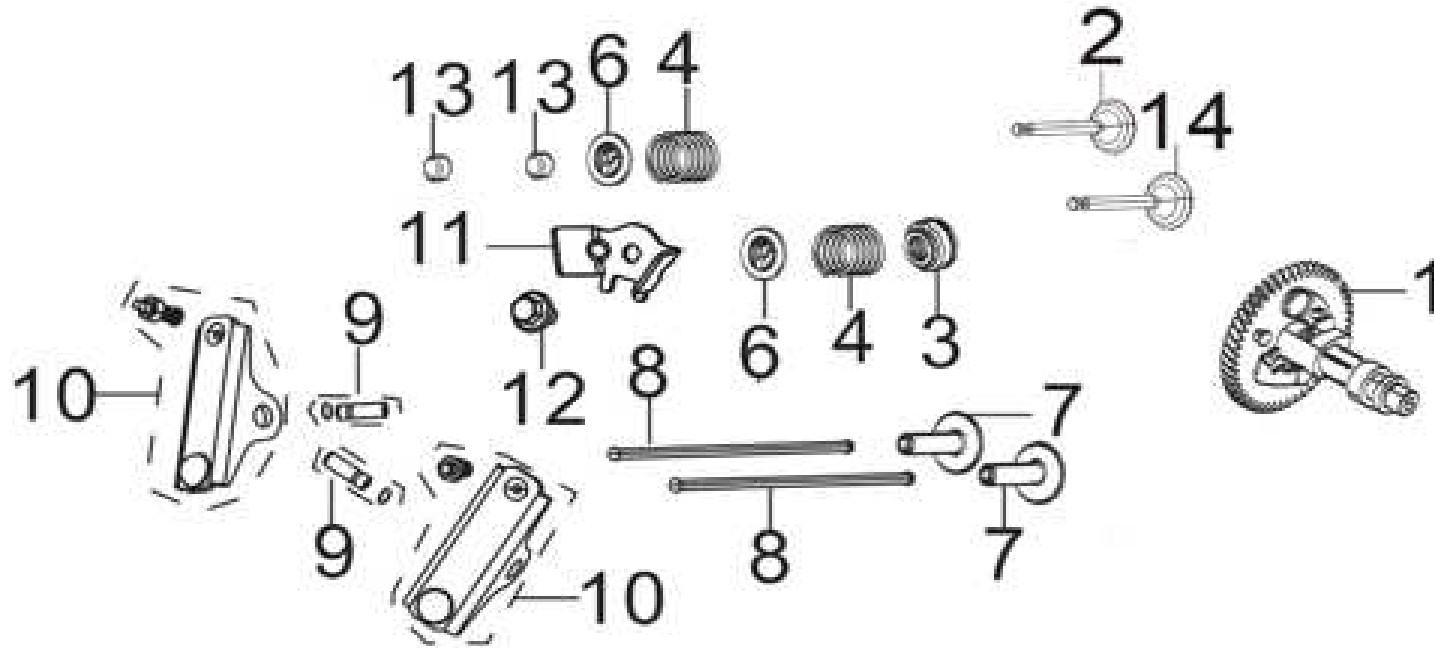
REF NO.	DESCRIPTION	QTY	MITM #	RATO #
4-01	CRANKSHAFT ASSY.	1	80-0830	13300-Z1E0211-0000
4-02	SHAFT ASSY, BALANCING	1	80-0948	13400-Z190320-00A0

## FIG.5 RING SET,OIL / CRANKSHAFT CONNETING ROD



REF NO.	DESCRIPTION	QTY	MITM #	RATO #
5-01	CLIP, PISTON PIN	2	45-0256	13122-Z100110-0000
5-02	PISTON	1	80-0831	13111-Z0J0110-00A0
5-03	PIN, PISTON	1	45-0255	13121-Z100110-0000
5-04	ROD, CONNECTING	1	45-0593	13010-Z190120-0000
5-05	RING ASSY, PISTON	1	80-0832	13200-Z190210-00A9

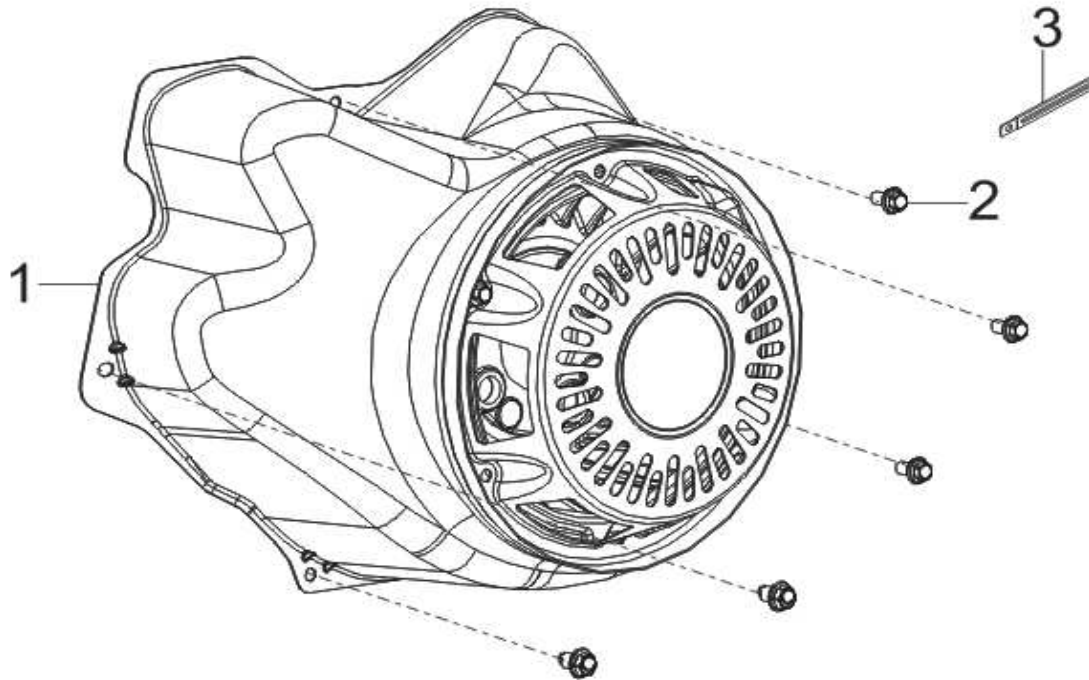
**FIG.6 VALVE TRAIN / CAMSHAFT SUBASSEMBLY**



REF NO.	DESCRIPTION	QTY	MITM #	RATO #
6-01	CAMSHAFT ASSY.	1	80-0833	14200-Z190810-00A0
6-02	VALVE, INTAKE	1	80-0834	12111-Z0J0210-0000
6-03	GUIDE, SEAL	1	45-0548	12101-Z810110-0000
6-04	SPRING, VALVE	2	80-0617	12103-Z990110-00A0
6-06	RETAINER, EXHAUST VALVE	2	45-0494	12107-Z010110-0000
6-07	TAPPET, VALVE	2	45-0429	14081-Z080110-0000
6-08	LIFTER SUBASSEMBLY, VALVE	2	80-0835	14070-Z0J0110-00A0
6-09	SHAFT SUBASSEMBLY, ROCKER	2	80-0949	14318-Z990111-00A0
6-10	ROCKER SUBASSEMBLY, VALVE	2	80-0836	14310-Z0J0110-00A0
6-11	CYLINDER HEAD COVER PIN LIMIT PLATE	1	80-0422	12419-Z950311-00A0
6-12	BOLT	1	80-0405	90001-0612-01A0
6-13	ROTATOR, VALVE	2	45-0495	12104-Z010110-0000
6-14	VALVE, EXHAUST	1	80-0837	12121-Z0J0410-00A0

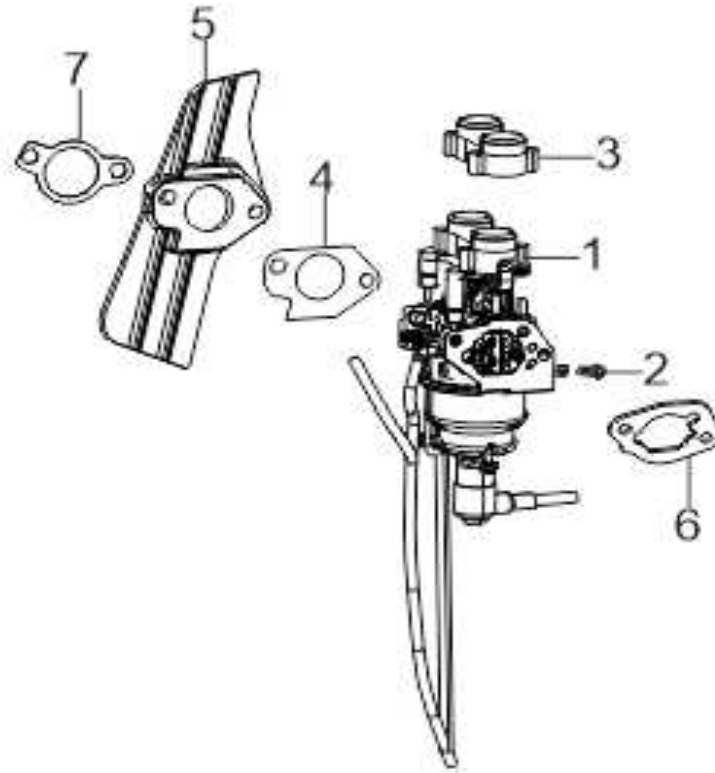


**FIG.7 RECOIL STARTER**



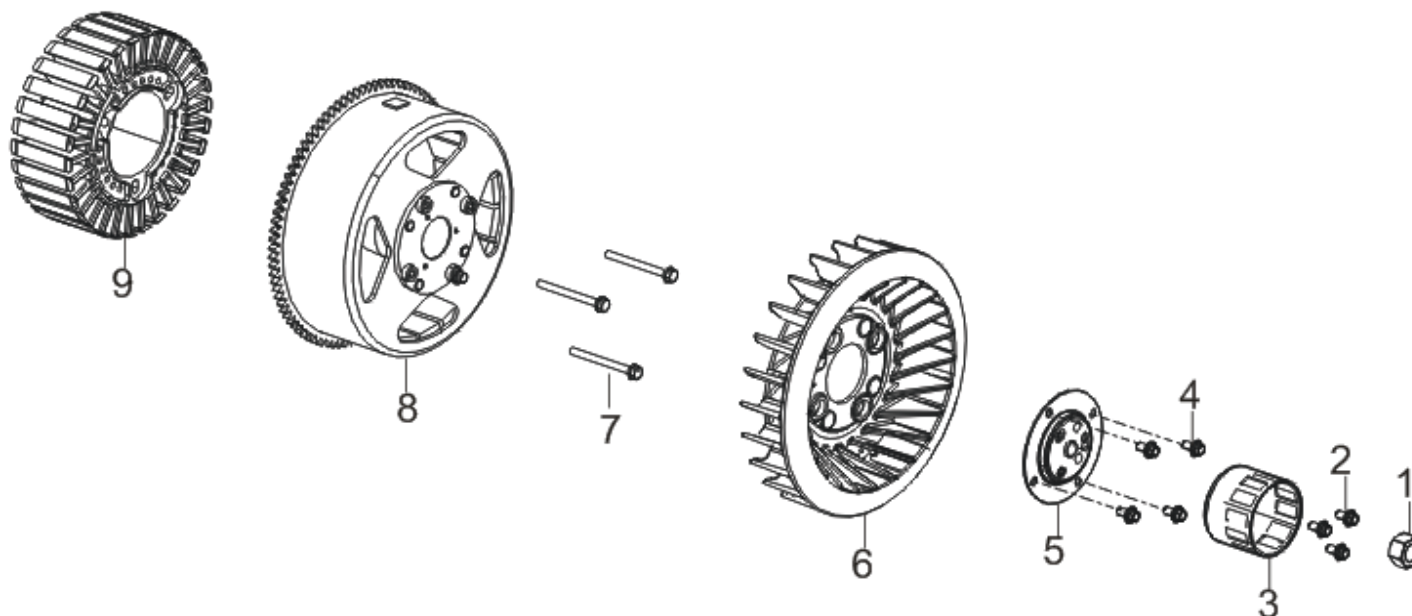
REF NO.	DESCRIPTION	QTY	MITM #	RATO #
7-01	MANUAL STARTING ASSEMBLY	1	80-0838	28100-Z1E0111H7H7B
7-02	HEXAGON SOCKET FLANGE FACE BOLT	5	80-0405	90001-0612-01A0
7-03	WIRE CLIP	1	80-0592	90684-Z010310-00A0

**FIG.8 CARBURETOR ASSEMBLY**



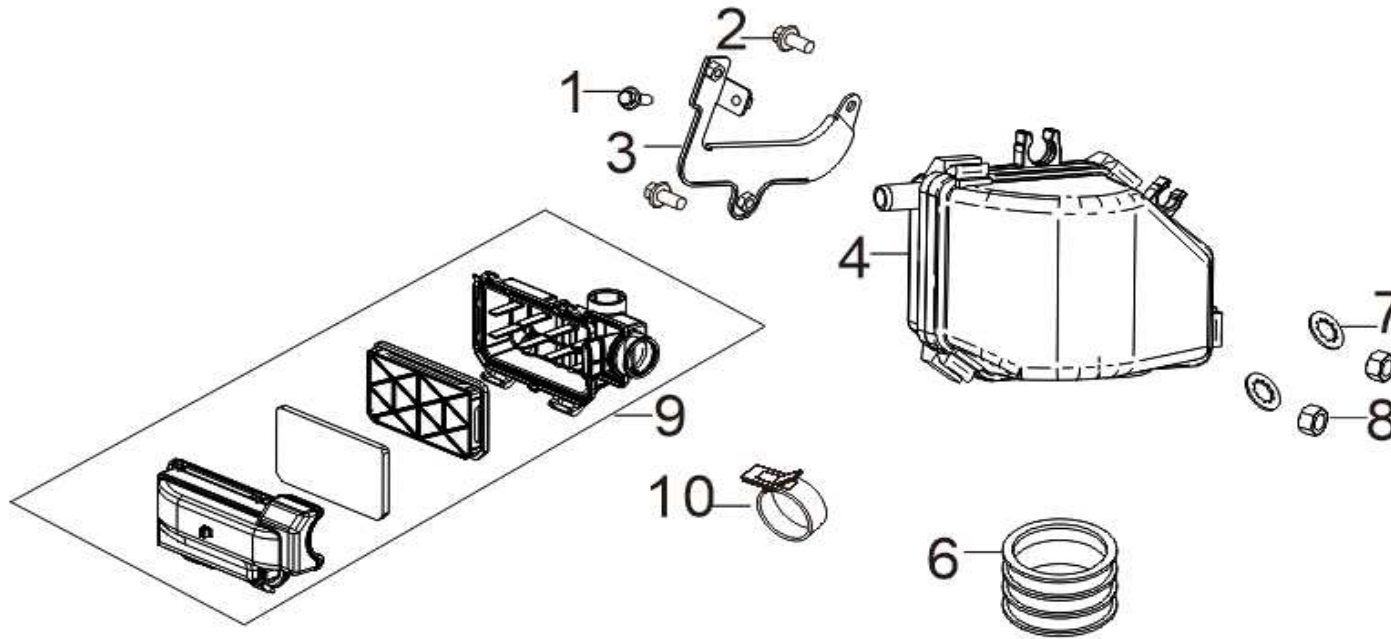
REF NO.	DESCRIPTION	QTY	MITM #	RATO #
8-01	CARBURETOR ASSY.	1	80-0839	16100-Z1E0511-00A0
8-02	STRAINER, FUEL	1	80-0450	16652-Z800110-00A0
8-03	CAP	1	45-0222	14411-Y2V0110-0000
8-04	CARBURETOR SEAL GASKET	1	45-0275	16001-Z100110-0000
8-05	PLATE, CARBURETOR INSULATOR	1	80-0840	16003-Z1E0110-0000
8-06	AIR CLEANER SEAL GASKET	1	80-0841	17001-Z520210-00A0
8-07	GASKET, INLET	1	80-0842	17002-Z0J0110-00A0

**FIG.9 FLYWHEEL / IMPELLER / STARTER PULLEY / IGNITION COIL**



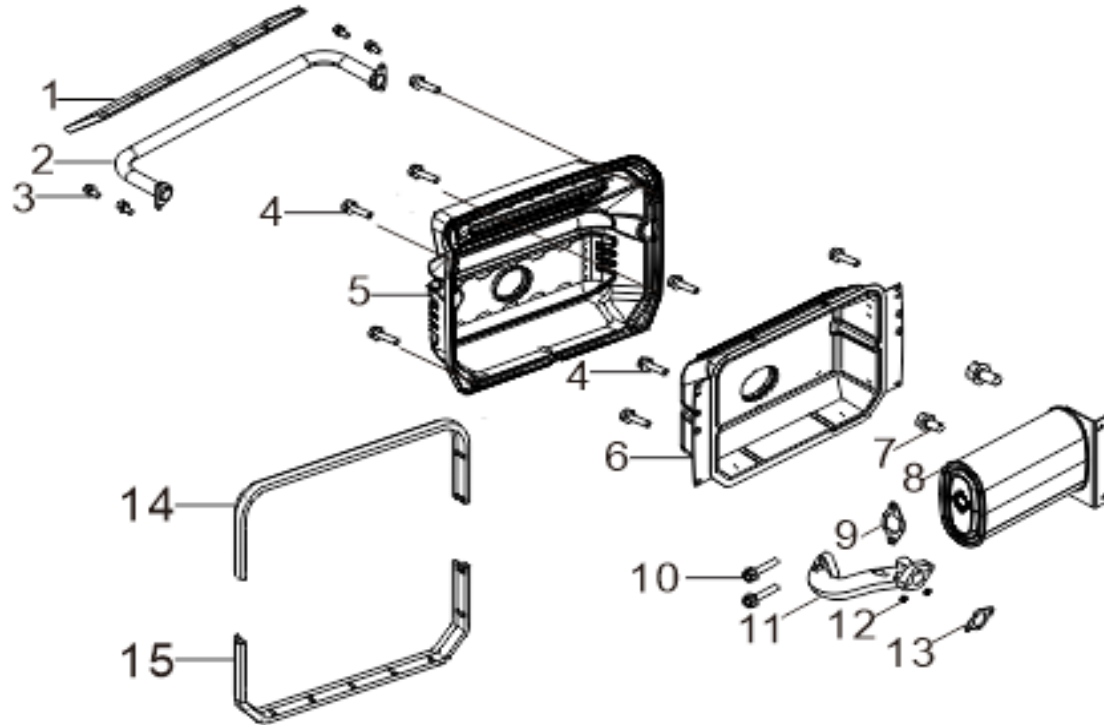
REF NO.	DESCRIPTION	QTY	MITM #	RATO #
9-01	NUT, FLYWHEEL	1	45-0262	13501-Z080110-0000
9-02	BOLT	3	80-0405	90001-0612-01A0
9-03	PULLEY,STARTER	1	80-0843	28002-Z1E0110-0000
9-04	HEXAGON SOCKET FLANGE FACE BOLT	4	80-0405	90001-0612-01A0
9-05	SEAT, STARTER CUP	1	80-0950	28020-Z150120-0000
9-06	IMPELLER	1	80-0844	19352-Z980110-00A0
9-07	BOLT	3	45-1063	90007-0665-A1A0
9-08	CASE SUBASSEMBLY, MAGNETO ROTOR	1	80-0845	30110-YCM0210-00A0
9-09	STATOR	1	80-0846	30120-YKT0210-00A0

**FIG.10 AIR CLEANER**



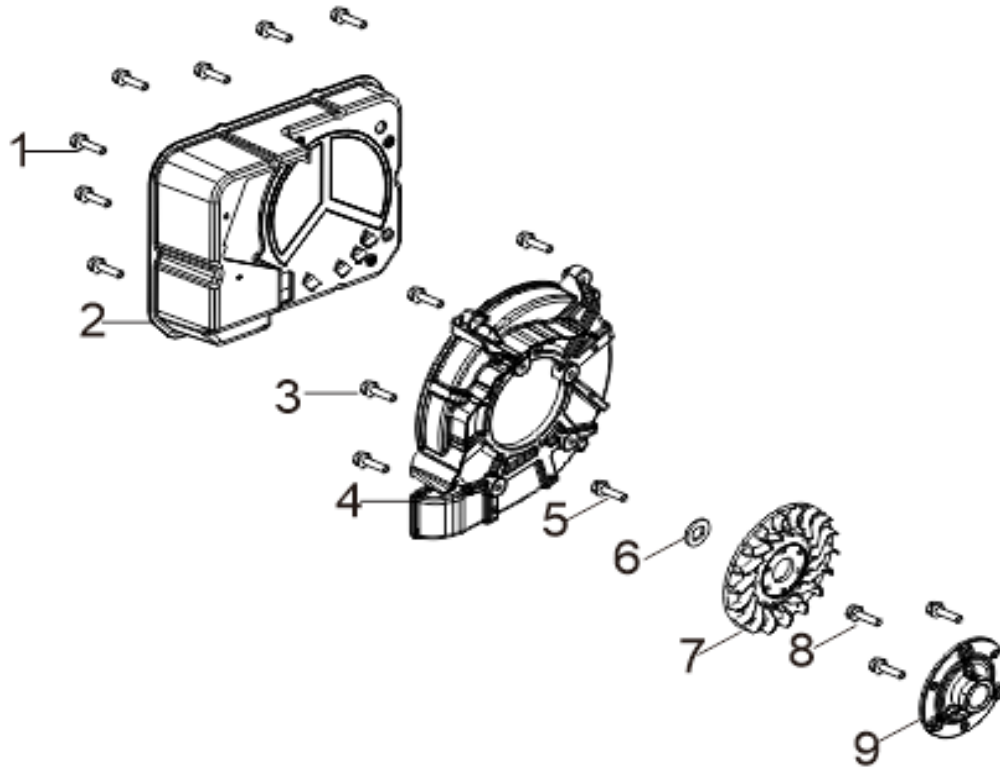
REF NO.	DESCRIPTION	QTY	MITM #	RATO #
10-01	HEXAGON SOCKET FLANGE FACE BOLT	1	45-0316	90001-0616-01
10-02	HEXAGON SOCKET FLANGE FACE BOLT	2	80-0623	90001-0612-03
10-03	MOUNTING BRACKET	1	80-0847	51124-YFA0110-H700
10-04	Secondary air cleaner	1	80-0848	17400-Z1E0111-0000
10-06	TUBE, INTAKE	1	80-0849	12510-Z1E0110-0000
10-07	SPRING CLAMP	2	80-0850	37073-Z1E0110-0000
10-08	HEXAGON NUT WITH FLANGE	2	80-0469	90305-0600-31A0
10-09	AIR CLEANER	1	80-0851	17100-Z1E0310-0000
10-10	PIPE CLAMP	1	80-0451	90685-D090-0EA0

**FIG.11 MUFFLER ASSEMBLY**



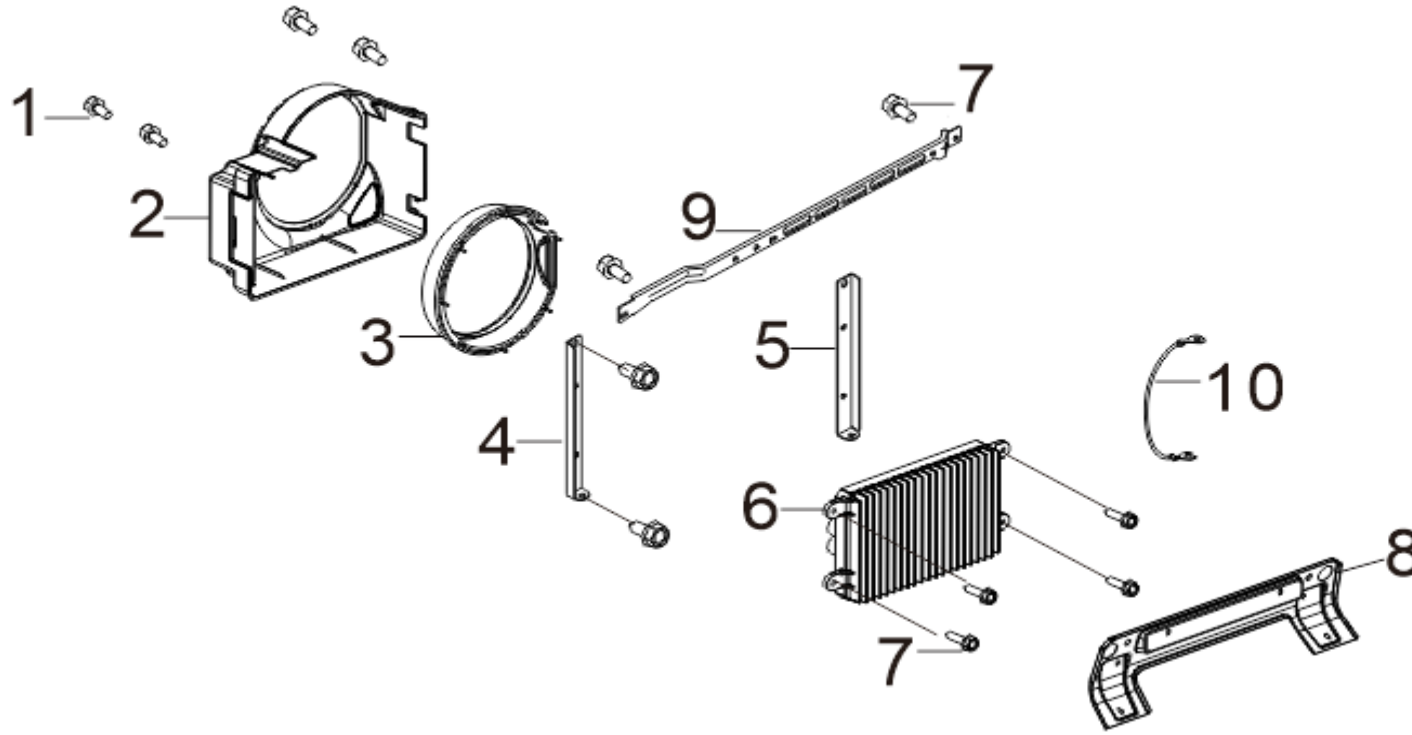
REF NO.	DESCRIPTION	QTY	MITM #	RATO #
11-01	SEAL GASKET	1	80-0852	30214-YFA0210-00A0
11-02	BAR, TRANSVERSE	1	80-0853	51001-YGC0110-H7A0
11-03	BOLT	4	80-0441	90001-0620-01A0
11-04	HEXAGON SOCKET FLANGE FACE BOLT	8	80-0521	90001-0630-01A0
11-05	SHIELD	1	80-0854	16673-YGC0210-Q2A0
11-06	MUFFLER OUTER COVER	1	80-0855	18130-YGC0110-H7A0
11-07	HEXAGON SOCKET FLANGE FACE BOLT	2	45-0320	90001-0820-01
11-08	MUFFLER ASSY.	1	80-0856	18100-YFA0110-00A0
11-09	GASKET, EXHAUST OUTLET	1	45-0435	18001-Z190110-00A0
11-10	HEXAGON SOCKET FLANGE FACE BOLT	2	80-0857	90001-YGC0110-0000
11-11	PIPE, EXHAUST	1	80-0858	18150-YFA0110-00A0
11-12	HEXAGON NUT	2	80-0476	90303-0800-31A0
11-13	GASKET, EXHAUST OUTLET	1	80-0859	18001-Z1X0110-00A0
11-14	CUSHION, MUFFLER INSULATOR RUBBER	1	80-0860	18005-YFA0110-0000
11-15	CUSHION, MUFFLER INSULATOR RUBBER	1	80-0861	18005-YFA0210-0000

**FIG.12 MUFFLER ASSEMBLY**



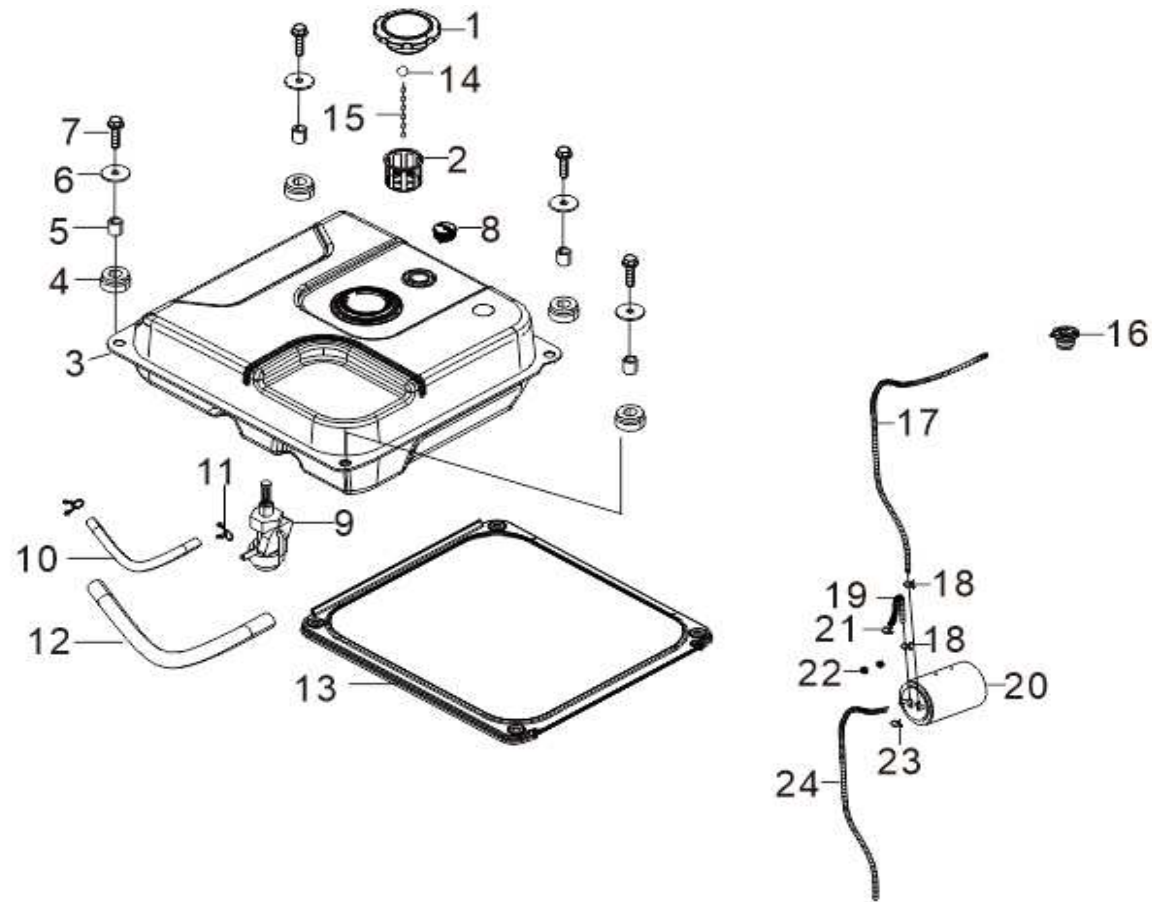
REF NO.	DESCRIPTION	QTY	MITM #	RATO #
12-01	HEXAGON SOCKET FLANGE FACE BOLT	6	45-0316	90001-0616-03A0
12-02	COVER, MUFFLER INNER	1	80-0862	18003-YFA0111-H7A0
12-03	HEXAGON SOCKET FLANGE FACE BOLT	4	80-0863	90001-0825-0108
12-04	SHROUD	1	80-0864	28110-YFA0110-0000
12-05	HEXAGON SOCKET FLANGE FACE BOLT	1	80-0865	90002-1030-01
12-06	FLAT WASHER - GRADE A	1	80-0099	90408-Y030110-0000
12-07	IMPELLER	1	80-0866	19352-YFA0110-00A0
12-08	HEXAGON SOCKET FLANGE FACE BOLT	3	80-0405	90001-0612-01A0
12-09	TRAY, IMPELLER SETTING	1	80-0867	13515-YFA0110-0000

**FIG.13 MUFFLER ASSEMBLY**



REF NO.	DESCRIPTION	QTY	MITM #	RATO #
13-01	HEXAGON SOCKET FLANGE FACE BOLT	4	80-0441	90001-0620-01A0
13-02	COVER, INVERTOR INNER	1	80-0868	30041-YGC0110-Q2A0
13-03	SEAL GASKET	1	80-0869	30214-YFA0110-00A0
13-04	INVERTOR MOUNTING RACK	1	80-0870	30081-YGC0110-H7A0
13-05	INVERTOR MOUNTING RACK	1	80-0871	30081-YGC0210-H7A0
13-06	INVERTOR	1	80-0872	30043-Y9X1210-00A0
13-07	HEXAGON SOCKET FLANGE FACE BOLT	6	80-0623	90001-0612-03A0
13-08	CROSSPIECE SUBASSEMBLY	1	80-0873	51150-YGC0110-H7A0
13-09	INVERTOR MOUNTING RACK	1	80-0874	30081-YGC0310-H7A0
13-10	GROUNDING	1	80-0875	30009-YJE0110-0000

**FIG.14 FUEL TANK ASSEMBLY**



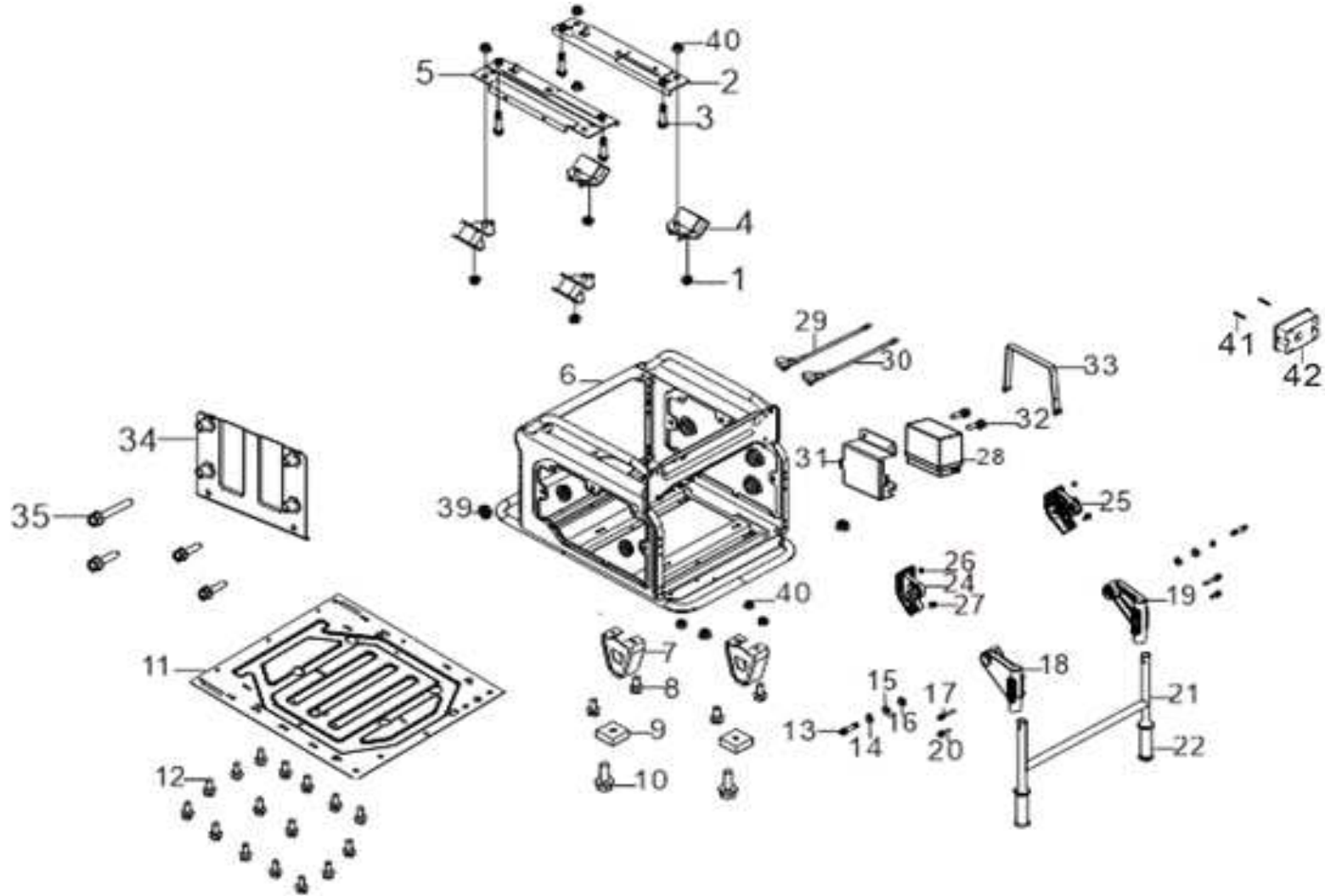
REF NO.	DESCRIPTION	QTY	MITM #	RATO #
14-01	COVER, FUEL TANK	1	80-0013	16730-Y020610-H700
14-02	STRAINER, FUEL	1	80-0876	16652-Y9X0110-00A0
14-03	FUEL TANK	1	80-0877	16620-YGC0110-QXB0
14-04	SLEEVE, FUEL TANK RUBBER	4	80-0004	16601-Y020120-0000
14-05	BUSH	4	80-0005	90683-Y020110-0000
14-06	FLAT WASHER	4	80-0878	90408-Y090110-0000
14-07	BOLT	4	80-0521	90001-0630-01A0
14-08	LEVELER ASSY, OIL	1	80-0715	37200-Y2V0110-00A0
14-09	COCK ASSY, FUEL	1	80-0879	16750-YA40211-0000
14-10	TUBE, FUEL	1	80-0880	90686-Z0D0710-00M0



**FIG.14 FUEL TANK ASSEMBLY CONTINUED**

14-11	PIPE CLAMP	2	45-0935	90685-D085-0EA0
14-12	JACKET, RUBBER	1	80-0881	30431-Z010310-0000
14-13	WATERPROOF ADHESIVE TAPE	1	80-0882	35671-YFA0110-0000
14-14	ANTI-OFF CHAIN CLIP	1	80-0011	16658-Y730110-0000
14-15	CHAIN PROOF OFF, FUEL TANK COVER	1	80-0012	16744-Y730110-0000
14-16	VALVE, ONE WAY	1	80-0883	15150-YGK0110-00A0
14-17	HOSE, FUEL STEAM RUBBER	1	80-0944	16804-YKT0110-00A0
14-18	PIPE CLAMP	2	45-0935	90685-D085-0EA0
14-19	HOSE, AIR CLEANER RUBBER	1	80-0884	16805-YFA0110-00A0
14-20	COLLECTOR, FUEL STEAM	1	80-0885	16801-YGC0110-00A0
14-21	PIPE CLAMP	1	80-0946	90685-D160-0EA0
14-22	HEXAGON NUT WITH FLANGE	2	30-5018	90305-0600-33
14-23	PIPE CLAMP	1	80-0653	90685-D095-0EA0
14-24	HOSE, AIR CLEANER RUBBER	1	80-0886	16805-Z810110-0000

**FIG.15 ENGINE FRAME**

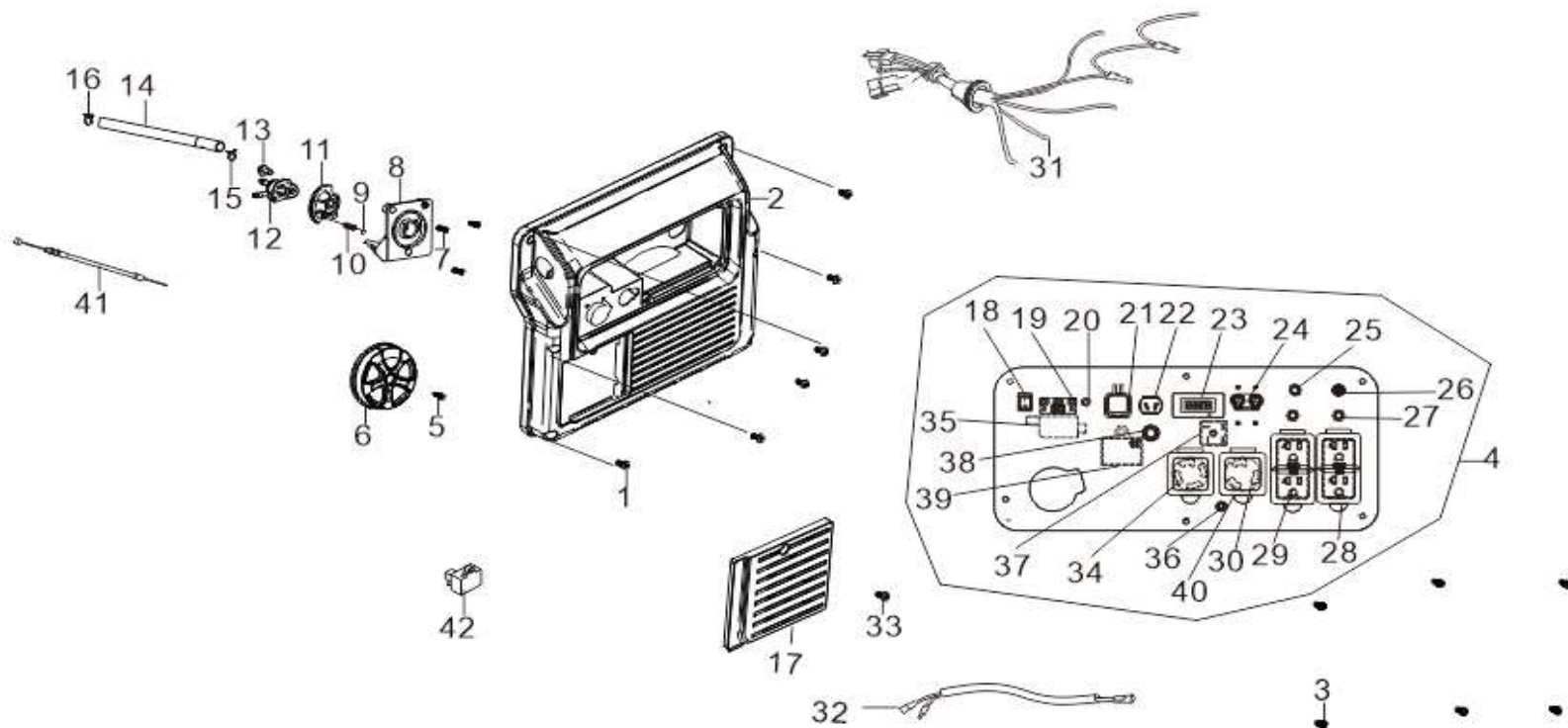


REF NO.	DESCRIPTION	QTY	MITM #	RATO #
15-01	HEXAGON NUT WITH FLANGE	8	80-0583	90305-0800-31A0
15-02	ENGINE FIXED BOTTOM PLATE	1	80-0887	51002-YFA0110-H700
15-03	HEXAGON SOCKET FLANGE FACE BOLT	4	80-0888	90002-1040-01A0
15-04	CUSHION, ENGINE FRAME	4	80-0889	51005HYN40110-00A0
15-05	ENGINE FIXED BOTTOM PLATE	1	80-0890	51002-YFA0210-H700

### FIG.15 ENGINE FRAME CONTINUED

15-06	FRAME ASSY, ENGINE	1	80-0891	51100-YKT0110-H7A0
15-07	SUPPORT, ENGINE FRAME SHOCK ABSORPTION	2	80-0892	51016-YGC0110-H7A0
15-08	HEXAGON SOCKET FLANGE FACE BOLT	4	80-0644	90001-0816-03
15-09	SEAT, ENGINE FRAME SHOCK ABSORPTION	2	80-0893	51014HY940110-0000
15-10	HEXAGON SOCKET FLANGE FACE BOLT	2	45-0316	90001-0616-03A0
15-11	PLATE, BOTTOM	1	80-0894	51143-YGC0110-H7A0
15-12	HEXAGON SOCKET FLANGE FACE BOLT	16	80-0623	90001-0612-03A0
15-13	COUPLING BOLT	2	80-0895	71116-YFA0110-0000
15-14	FLAT WASHER	2	80-0551	90412-YBW0110-Q200
15-15	FLAT WASHER	4	80-0552	90412-YBW0210-01A0
15-16	DISC WASHER	4	80-0554	90419-YBW0110-0300
15-17	HEXAGON SOCKET FLANGE FACE BOLT	2	80-0896	90001-0845-01A0
15-18	HANDLE TUBE CONNECTING SEAT 2	1	80-0897	54122-YFA0111-0000
15-19	HANDLE TUBE CONNECTING SEAT 2	1	80-0898	54122-YFA0211-0000
15-20	HEXAGON SOCKET FLANGE FACE BOLT	2	80-0899	90001-0810-01
15-21	HANDLE TUBE ASSY	1	80-0900	54110-YGC0110-H7A0
15-22	SLEEVE, HANDLE RUBBER	2	80-0901	54101-Y020210-0000
15-24	SEAT, HANDLE TUBE CONNECTING	1	80-0902	54113HYGC0110-00A0
15-25	SEAT, HANDLE TUBE CONNECTING	1	80-0903	54113HYGC0210-00A0
15-26	HEXAGON NUT WITH FLANGE	2	45-0436	90305-0800-31
15-27	BOLT	2	80-0904	90007-0825-03
15-28	BATTERY	1	80-0905	31110-Y9X0110-00A0
15-29	WIRE, ANODE	1	80-0906	31112HYH30111-0000
15-30	WIRE, CATHODE	1	80-0907	31114HYH30310-0000
15-31	CASE, BATTERY	1	80-0908	31130-YGC0110-H7A0
15-32	BOLT	2	80-0623	90001-0612-03A0
15-33	BAND, BATTERY	1	80-0909	31115-Y6D0110-0000
15-34	SUPPORT, ATR CLEANER	1	80-0910	17003-YFA0110-H700
15-35	BOLT	4	80-0441	90001-0620-03
15-39	SLEEVE, FUEL TANK RUBBER	6	80-0147	16601-Y2V0210-0000
15-40	BOLT	4	80-0073	90306-1000-31
15-41	CROSS-RECESSED PAN HEAD SCREW	2	80-0911	90103-0412-51A0
15-42	CARBON MONOXIDE ALARM	1	80-0912	35720-YE30110-0000

**FIG.16 CONTROL PANEL SUBASSEMBLY**

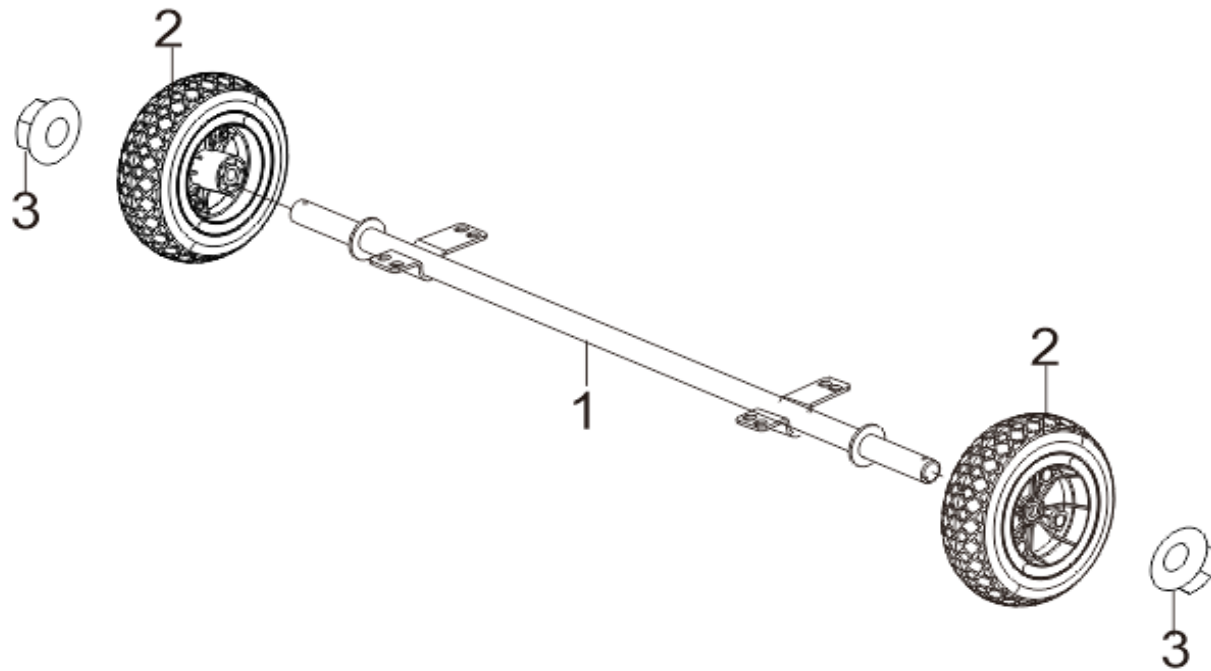


REF NO.	DESCRIPTION	QTY	MITM #	RATO #
16-01	HEXAGONAL STEP BOLT	6	80-0441	90001-0620-03A0
16-02	SEAT, PANEL	1	80-0913	35680-YGC0210-Q200
16-03	CROSS-RECESSED PAN HEAD SCREW	6	80-0914	90103-0512-53A0
16-04	PANEL SUBASSEMBLY, CONTROL	1	80-0915	35610-YKT0310-H701
16-05	CROSS-RECESSED PAN HEAD SCREW	1	80-0537	90103-0416-51A0
16-06	KNOB	1	80-0916	35643HYBR0110-00A0
16-07	COUNTERSUNK HEAD TAPPING SCREW	3	80-0538	90129-0416-01A0
16-08	SWITCH SUBASSEMBLY	1	80-0917	35160-YCM0111-0000
16-09	BALL, STEEL	1	80-0206	90543-0500-00
16-10	SPRING, STOPPER ADJUSTING	1	80-0541	16527-Y2V0210-0000
16-11	COVER PLATE	1	80-0542	94111-Y2V0410-00A0
16-12	COCK ASSY, FUEL	1	80-0543	16750-Y2V0141-0000
16-13	BOLT	1	80-0405	90001-0612-01A0

## FIG.16 CONTROL PANEL SUBASSEMBLY CONTINUED

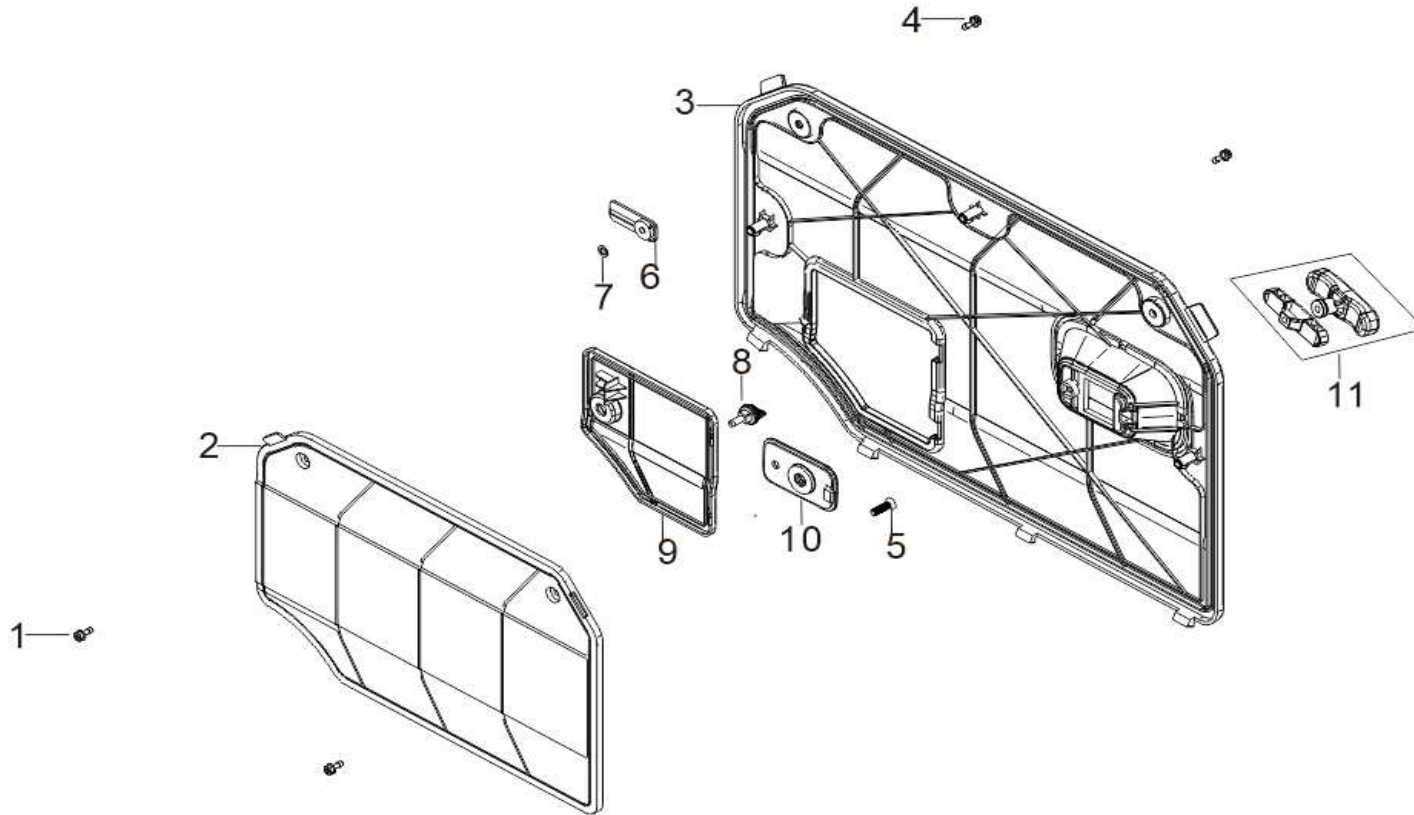
16-14	TUBE, FUEL	1	80-0918	90686-YBW0310-00M0
16-15	PIPE CLAMP	1	45-1077	90685-Z120110-00A0
16-16	PIPE CLAMP	1	45-1077	90685-Z120110-00A0
16-17	BATTERY COVER	1	80-0919	31123-YGC0210-Q2A0
16-18	SWITCH SUBASSEMBLY	1	80-0363	35160-Y0G0110-0000
16-19	STATUS DISPLAY BOARD ASSEMBLY	1	80-0920	35620-YKT0110-0000
16-20	INDICATOR	1	80-0735	90803-YE40110-0000
16-21	SOCKET SUBASSEMBLY, POWER SUPPLY	1	80-0381	35619-Y9T0110-0000
16-22	SOCKET SUBASSEMBLY, D.C	1	80-0362	35619-Y2V0110-0000
16-23	TIMER	1	80-0921	35632-YA60110-0000
16-24	BREAKER, DOUBLE-POLE	1	80-0922	35627-Y120510-0000
16-25	BUTTON, RESETTING	1	80-0923	35646-Y2V0110-0000
16-26	SOCKET SUBASSEMBLY, D.C	1	80-0529	35619-Y730110-0000
16-27	PROTECTOR, OVERCURRENT	2	80-0924	31234-Y110410-0000
16-28	RAIN COVER RECEPTACLE	2	80-0925	35654-Y730310-0000
16-29	SOCKET SUBASSEMBLY, POWER SUPPLY	2	80-0380	35614-Y600610-0000
16-30	SOCKET SUBASSEMBLY, POWER SUPPLY	1	80-0926	35614-Y1J0210-0000
16-31	HARNESS, CONTROL PANEL WIRING	1	80-0927	35660-YN50110-0000
16-32	GROUNDING	1	80-0928	30009-YJE0110-0000
16-33	HEXAGONAL STEP BOLT	1	80-0339	90208-YB00210-0000
16-34	SOCKET SUBASSEMBLY, POWER SUPPLY	1	80-0929	35614-Y4D0210-0000
16-35	CONTROLLER	1	80-0731	35659-Y9X0210-0000
16-36	TERMINAL SUBASSEMBLY, GROUNDING	1	80-0180	35629-Y2V0110-0000
16-37	BRIDGE, RECTIFICATION	1	80-0044	35621-Y020110-0000
16-38	PROTECTOR, OVERCURRENT	1	80-0178	31234-Y020110-0000
16-39	CHARGER MODULE	1	80-0930	30007-Y9X0110-0000
16-40	RAIN COVER RECEPTACLE	2	80-0931	35654-Y730110-0000
16-41	HANDLE SUBASSEMBLY, CHOKE	1	80-0286	16080-Y2P0110-0000
16-42	CHARGER MODULE	1	80-0932	30007-Y4D0310-0000

**FIG.17 FRONT WHEEL ASSY**



REF NO.	DESCRIPTION	QTY	MITM #	RATO #
17-01	SHAFT, FRONT WHEEL	1	80-0933	44020-YGC0110-H700
17-02	WHEEL, FRONT	2	80-0934	44110-YGC0110-0000
17-03	HEXAGON NUT WITH FLANGE	2	80-0935	90305-1000-33

**FIG.18 SHELL, DECORATIVE PLATE**



REF NO.	DESCRIPTION	QTY	MITM #	RATO #
18-01	HEXAGON SOCKET FLANGE FACE BOLT	2	80-0623	90001-0612-03
18-02	LEFT HOUSING COVER PLATE	1	80-0936	80092-YGC0210-SKA0
18-03	RIGHT APPEARANCE COVER PLATE	1	80-0938	80096-YGC0210-SKA0
18-04	HEXAGON SOCKET FLANGE FACE BOLT	2	80-0623	90001-0612-03A0
18-05	BOLT	1	80-0009	90104-0512-53
18-06	STOPPER	1	80-0351	24329-YCF0110-Q200
18-07	SPRING CLAMP	1	80-0117	37073-Y2V0110-0000
18-08	SPARK PLUG ACCESS DOOR KNOB	1	80-0940	80105-YB00110-Q2A0
18-09	RIGHT ACCESS DOOR	1	80-0941	51197-YGC0210-SKA0
18-10	GUIDE SUBASSEMBLY, STARTING ROPE	1	80-0943	28004-YB00110-Q2A0
18-11	HANDLE, RECOIL STRATER CABLE	1	80-0160	28210-Y2V0110-0000

## FIG.19 DECAL PLACEMENT

- 1** **34-4060 Placard**  
Size - 17.25" wide x 3.125" high  
Center in smooth area
- 2** **34-4061 Right Panel**  
Size - 18.2477" wide x 3.1267" high  
Center is area above pull cord
- 3** **34-2168 #2 M**  
Size - 3.4375" wide x 2.625" high  
Line up with bottom edge of panel  
groove, center under pull cord
- 4** **34-4043 Top/Right Panel**  
Size - 5.45" wide x 1.611" high  
Place on top of the right panel,  
under the handle.
- 5** **34-4047 Top/Right Panel**  
Size - 5.15" wide x 1.7" high  
Place on top of right panel,  
next to 34-4043. Line up  
bottom edges of decals.



REF NO.	DESCRIPTION	QTY	MITM #	RATO #
1	PLACARD	1	34-4060	
2	RIGHT PANEL	1	34-4061	
3	MITM M	1	34-2168	
4	WARNING - NO OVERFILL	1	34-4043	
5	UNLEADED FUEL ONLY	1	34-4047	



## FIG.20 DECAL PLACEMENT

- 6** **34-4062 Left Panel**  
Size - 18.2477" wide x 3.1267" high  
Place in top section of panel
  
- 7** **34-3027 #6M**  
Size - 4.25" wide x 3.3465" high  
Center in middle raised section of panel, 1-inch from rear of panel
  
- 8** **34-4042 Left Panel**  
Size - 4.75" wide x 5.125" high  
Place in bottom right corner, 1-inch up and left.



REF NO.	DESCRIPTION	QTY	MITM #	RATO #
6	LEFT PANEL	1	34-4062	
7	MITM M	1	34-3027	
8	WARNING - SHOCK/EXPLOSIVE	1	34-4042	

## FIG.21 DECAL PLACEMENT RECOIL

- 9** **34-4119 Top**  
Size - 5.6" wide x 3.979" high  
Place on top of gas tank, with cut out around overfill.
  
- 10** **34-4118 Top**  
Size - 5.63" wide x 4.16" high  
Center in middle of raised section on top of gas tank as shown.
  
- 11** **34-4046 Top**  
Size - 2.78" wide x .817" high  
Facing the back of the unit,  
place the



REF NO.	DESCRIPTION	QTY	MITM #	RATO #
9	WARNING - CARBON MONOXIDE SHUTOFF	1	34-4119	
10	DANGER - CARBON MONOXIDE	1	34-4118	
11	WARNING - SYMBOLS	1	34-4046	