



PARTS LIST FOR
AIR COMPRESSOR

ADS-23110-120HM

ADS-20310-120HM

ADS-23310-120HM

ADS-46310-120HM

(AFTER SERIAL #20107354)

MAXIMUM PRESSURE:	175 PSI
COMPRESSOR OIL GRADE:	SAE30W NON-DETERGENT
COMPRESSOR OIL CAPACITY:	48 oz.

This Parts Listing has been compiled for your benefit. You can be assured your Mi-T-M Gasoline Air Compressor was constructed and designed with quality and performance in mind. Each component has been rigorously tested to insure the highest level of acceptance.

The contents of this Parts Listing are based on the latest product information available at the time of publication. Mi-T-M reserves the right to make changes in price, color, materials, equipment, specifications or models at any time without notice.

WARNING

THIS IS A PROFESSIONAL ELECTRIC AIR COMPRESSOR. CAUTION SHOULD BE OBSERVED WHEN USING OR REPAIRING THIS UNIT! READ AND FOLLOW THE SAFETY WARNINGS LISTED BELOW BEFORE ATTEMPTING ANY REPAIRS ON THIS AIR COMPRESSOR!

SAFETY WARNINGS

1. NEVER alter or modify the equipment. Be sure any accessory items and system components being used will withstand the pressure developed. Use only genuine Mi-T-M parts for repair of your air compressor. Failure to do so can cause hazardous operating conditions and will VOID warranty.
2. Know how to stop and bleed pressures quickly. Be thoroughly familiar with controls.
3. Before servicing the unit, turn unit off, relieve the pressure and allow the unit to cool down. Do not make repairs while the unit is running. Service in a clean, dry, flat area. Block the wheels to prevent the unit from moving. Be especially careful to properly dispose of any flammable materials.
4. After testing the machine, DO NOT leave the pressurized unit unattended. Shut off the unit and release trapped pressure before leaving.

Table of Contents

NOTES	4
SPECIFICATIONS	5
FLOW CHART	6
GENERAL THEORY OF OPERATION	7
ADS 120 GAL HORIZONTAL M SERIES	8
CONTROL BOX (SIMPLEX)	10
COMPRESSOR PUMP (3-0313)	12
AFTERCOOLER (IX-0003)	14
ELECTRIC TANK DRAIN (IX-0006)	15
TANK DRAIN OPTION (IX-0032)	16
LOW OIL SHUTDOWN (IX-0036)	17
WIRING SCHEMATIC (230V SINGLE PHASE) M SERIES (AFTER SERIAL #20107354)	18
WIRING DIAGRAM (230V SINGLE PHASE) M SERIES (AFTER SERIAL #20107354)	19
WIRING SCHEMATIC DUAL CONTROL AND STARTER (230V SINGLE PHASE) (AFTER SERIAL #20107354)	20
WIRING DIAGRAM DUAL CONTROL AND STARTER (230V SINGLE PHASE) (AFTER SERIAL #20107354)	21
WIRING SCHEMATIC LOW OIL SHUTDOWN AND STARTER (230V SINGLE PHASE)	22
WIRING DIAGRAM LOW OIL SHUTDOWN AND STARTER (230V SINGLE PHASE)	23
WIRING SCHEMATIC STARTER (230V SINGLE PHASE)	24
WIRING DIAGRAM STARTER (230V SINGLE PHASE)	25
WIRING SCHEMATIC (200-230V THREE PHASE) M SERIES (AFTER SERIAL #20107354)	26
WIRING DIAGRAM (200-230V THREE PHASE) M SERIES (AFTER SERIAL #20107354)	27
WIRING SCHEMATIC DUAL CONTROL AND STARTER (200-230V THREE PHASE) (AFTER SERIAL #20107354)	28
WIRING DIAGRAM DUAL CONTROL AND STARTER (200-230V SINGLE PHASE) (AFTER SERIAL #20107354)	29
WIRING SCHEMATIC LOW OIL SHUTDOWN AND STARTER (200-230V THREE PHASE)	30
WIRING DIAGRAM LOW OIL SHUTDOWN AND STARTER (200-230V THREE PHASE)	31
WIRING SCHEMATIC STARTER (200-230V THREE PHASE)	32
WIRING DIAGRAM STARTER (200-230V THREE PHASE)	33
WIRING SCHEMATIC (460V THREE PHASE) M SERIES (AFTER SERIAL #20107354)	34
WIRING DIAGRAM (460V THREE PHASE) M SERIES (AFTER SERIAL #20107354)	35
WIRING SCHEMATIC DUAL CONTROL AND STARTER (460V THREE PHASE) (AFTER SERIAL #20107354)	36
WIRING DIAGRAM DUAL CONTROL AND STARTER (460V THREE PHASE) (AFTER SERIAL #20107354)	37
WIRING SCHEMATIC LOW OIL SHUTDOWN AND STARTER (460V THREE PHASE)	38
WIRING DIAGRAM LOW OIL SHUTDOWN AND STARTER (460V THREE PHASE)	39
WIRING SCHEMATIC STARTER (460V THREE PHASE)	40
WIRING DIAGRAM STARTER (460V THREE PHASE)	41

NOTES

SERIAL NUMBER BREAK

DATE

REASON

#20107354

10/05/2009

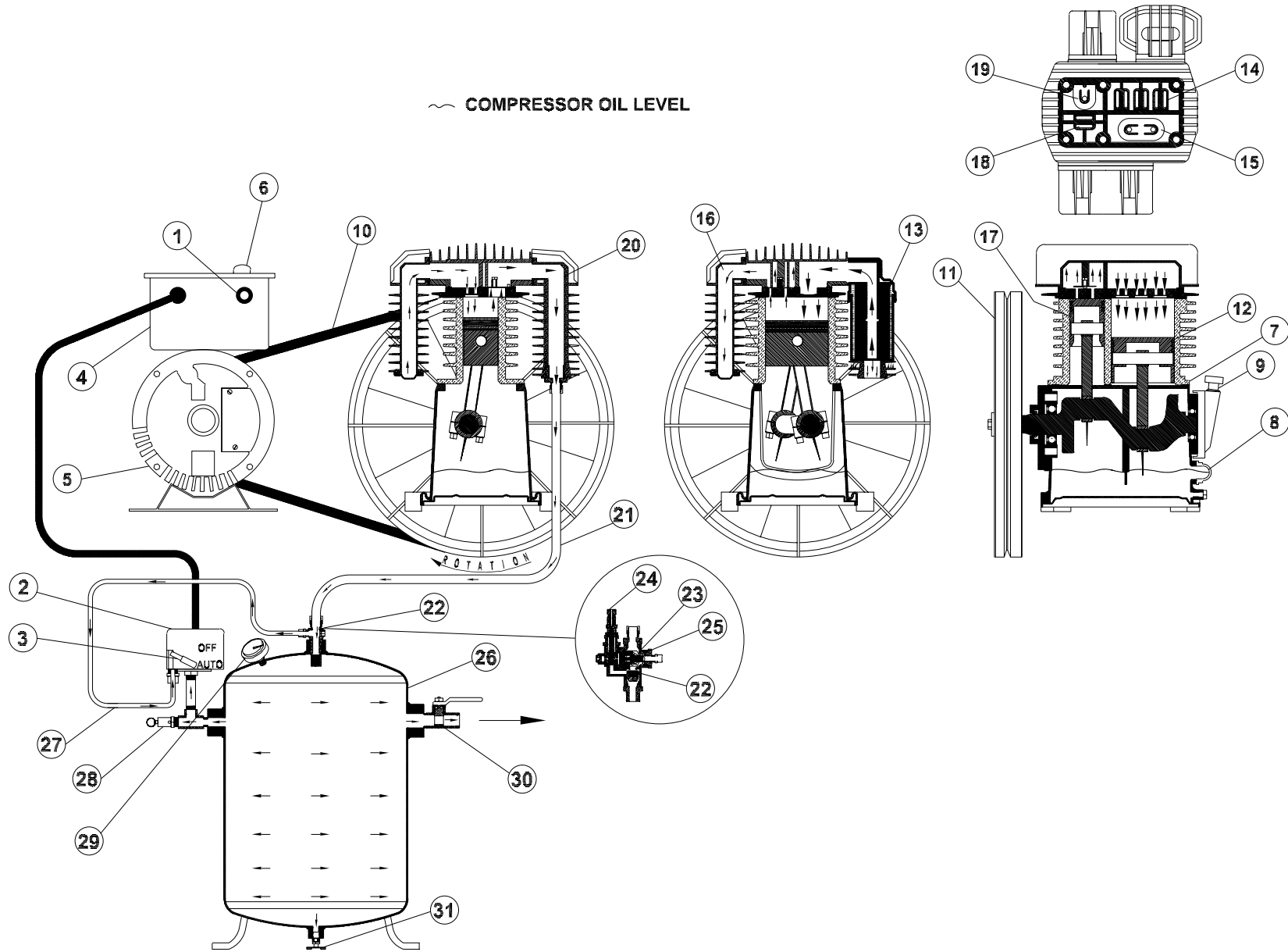
WIRING CHANGE DUE TO SWITCH

SPECIFICATIONS

MODEL NUMBER	ADS-23110-120HM	ADS-20310-120HM	ADS-23310-120HM	ADS-46310-120HM
MOTOR:				
Horsepower	10HP	10HP	10HP	10HP
Voltage	230V	200V	230V	460V
Amperage	39.0A	30.8A	26.8A	13.4A
HZ	60	60	60	60
Phase	1	3	3	3
RPM	1750			
Compressor Pump:				
Number of Cylinders	2			
Compression Stages	2			
First Stage Bore	3.15			
Second Stage Bore	3.93			
Stroke	2.76			
RPM	1050			
Flywheel	16.5"			
Lubrication	Splash			
Oil Capacity	80 oz.			
Oil Type	30 W Non Detergent			
Crankcase	Cast Iron			
Bearings	Ball			
Cylinder	Cast Iron			
Valves	Reed			
Head	Cast Iron			
Filter	Canister			
AIR TANK:				
Capacity	120 gallons			
PERFORMANCE:				
CFM Air Displacement	38.7			
CFM @ 40 PSI	37.1			
CFM @ 100 PSI	35.7			
CFM @ 175 PSI	34.2			
Maximum Pressure	175 PSI			
Pump-up Time: 0-175 PSI	6 minutes and 17 seconds			
Recovery Time: 145-175 PSI	63 seconds			
WEIGHT:				
Net	825 lbs			
Shipping	885 lbs			
DIMENSIONS:				
Basic L x W x H	74" x 26.5" x 58"			
Shipping L x W x H	80.5" x 37.5" x 58"			

FLOW CHART

~ COMPRESSOR OIL LEVEL

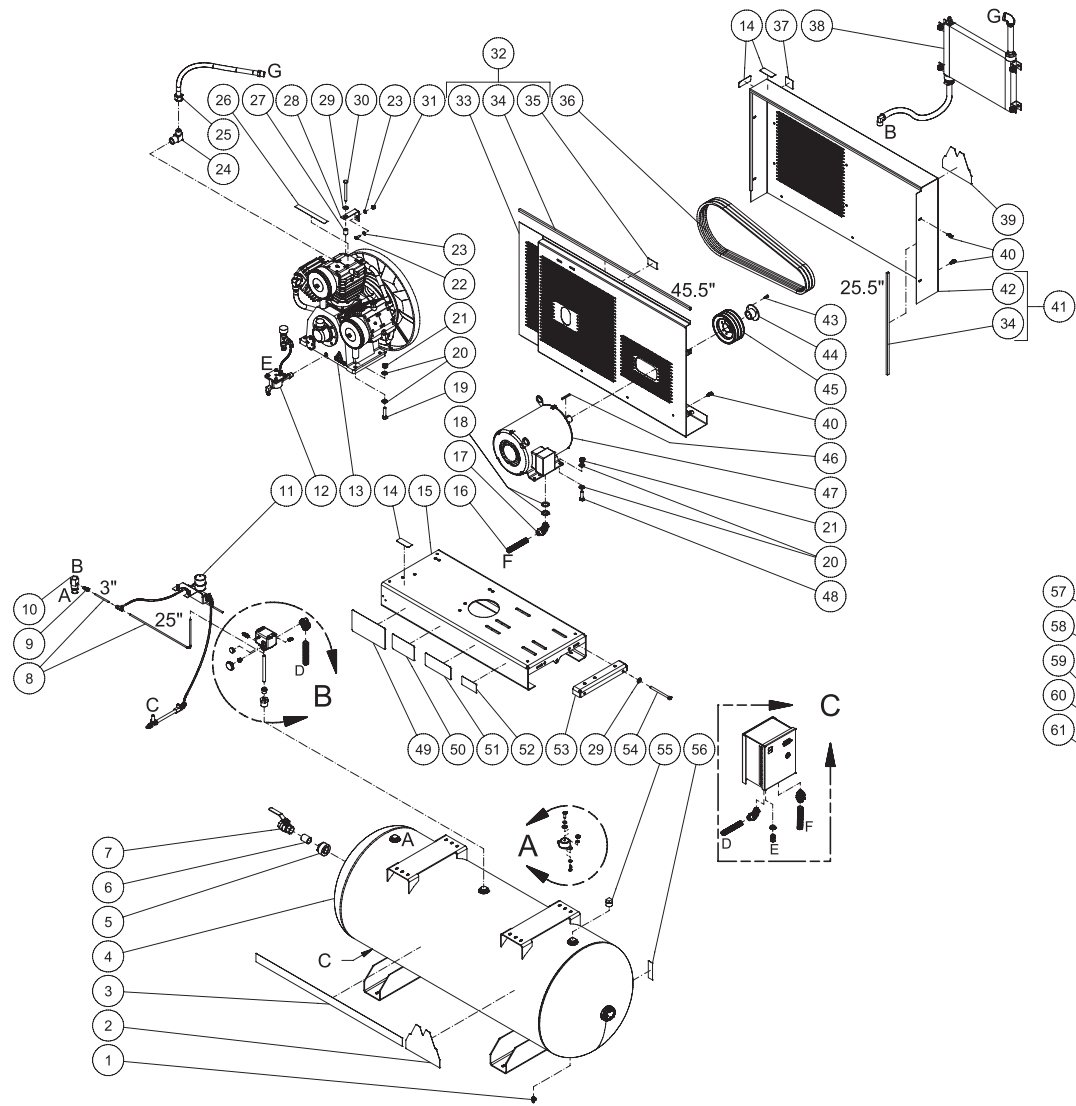


OMAC0061A-051399-RD

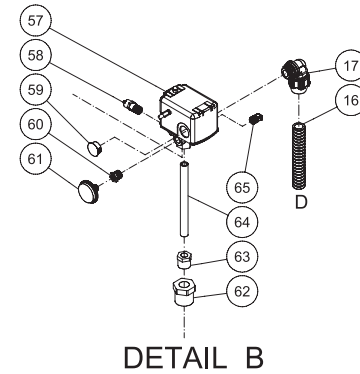
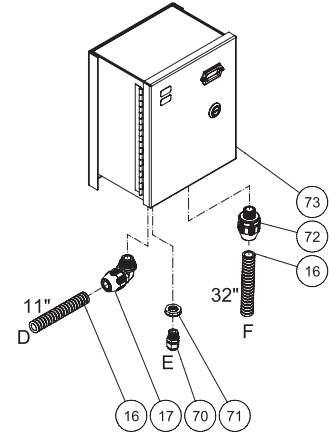
GENERAL THEORY OF OPERATION

1. The POWER SUPPLY (1) sends the electrical supply to the PRESSURE SWITCH (2). When the PRESSURE SWITCH LEVER (3) is in the "AUTO" position, power is supplied to the CONTACTOR (4) which starts the ELECTRIC MOTOR (5) which is protected from electrical overloads by the MANUAL RESET BUTTON (6).
2. The COMPRESSOR PUMP (7) is lubricated by oil. The oil level should be checked before each use by viewing the COMPRESSOR PUMP OIL SIGHTGLASS (8). If the oil level is low, add SAE-30W non-detergent oil to the COMPRESSOR PUMP OIL FILL PORT (9).
3. When the unit is operating, the V-BELT (10) turns the COMPRESSOR PUMP FLYWHEEL (11) which rotates the crankshaft and moves the pistons.
4. As the FIRST STAGE PISTON (12) moves down, air is drawn in through the INLET AIR FILTER (13). Then through the FIRST STAGE INLET REED VALVE (14) and into the first stage piston chamber. At the same time, the FIRST STAGE OUTLET REED VALVE (15) is closed. This allows air to fill the first stage piston chamber.
5. As the FIRST STAGE PISTON (12) moves upward, the FIRST STAGE INLET REED VALVE (14) closes. The FIRST STAGE OUTLET REED VALVE (15) opens allowing the compressed air to flow into the INTERCOOLER (16) and into the second stage.
6. As the SECOND STAGE PISTON (17) moves down, the first stage compressed air is drawn in through the SECOND STAGE INLET REED VALVES (18) and into the second stage piston chamber. At the same time, the SECOND STAGE OUTLET REED VALVES (19) is closed.
7. As the SECOND STAGE PISTON (17) moves upward, the SECOND STAGE INLET REED VALVES (18) closes. The SECOND STAGE OUTLET REED VALVES (19) opens allowing the compressed air to flow into the AFTERCOOLER (20) and DISCHARGE LINE (21).
- 8a. STANDARD START/STOP FEATURE:
 1. The compressed air opens the CHECK VALVE (22) and moves into the AIR TANK (26). When the pressure in the AIR TANK (26) reaches the maximum pressure setting of the PRESSURE SWITCH (2), the ELECTRIC MOTOR (5) stops and the CHECK VALVE (22) will close.
 2. The pressurized air remaining in the PUMP DISCHARGE LINE (21) exits through the PRESSURE SWITCH BLEND-OFF LINE (27) so the ELECTRIC MOTOR (5) can restart under a no-load condition.
- 8b. OPTIONAL DUAL CONTROL FEATURE:
 1. This feature consists of a PILOT CONTROL VALVE (23) which has an ADJUSTING KNOB (24) with two positions.
 - a. Start/Stop Position: Turn the ADJUSTING KNOB (24) completely clockwise to the closed position. Air compressor will operate as described in the Start/Stop Feature as explained above.
 - b. Constant Run Position: Turn the ADJUSTING KNOB (24) completely counterclockwise to the open position. The compressed air opens the CHECK VALVE (22) and moves into the AIR TANK (26). When the pressure in the AIR TANK (26) reaches the maximum pressure setting of the PILOT CONTROL VALVE (23), the excess air exits the PILOT VALVE MUFFLER (25) and the CHECK VALVE (22) will close. Since the relief setting on the PILOT CONTROL VALVE (23) is lower than the maximum pressure setting on the PRESSURE SWITCH (2) the ELECTRIC MOTOR (5) will continue running. This feature is very useful under low voltage conditions, when motor starting can trip the circuit breaker (fuse).
9. The SAFETY RELIEF VALVE (28) protects the system from any overpressure conditions.
10. The TANK PRESSURE GAUGE (29) indicates tank pressure. The air exits through the OUTLET FITTING (30).
11. The PRESSURE SWITCH LEVER (3) stops the ELECTRIC MOTOR (5) when moved to the "OFF" position.
12. When the PRESSURE SWITCH LEVER (3) is in the "OFF" position, compressed air should be released from the AIR TANK (26) by opening the attached air tool or by pulling on the SAFETY RELIEF VALVE (28). When the TANK PRESSURE GAUGE (29) registers less than 10 PSI, drain the condensation from the AIR TANK (26) by opening the TANK DRAIN (31).

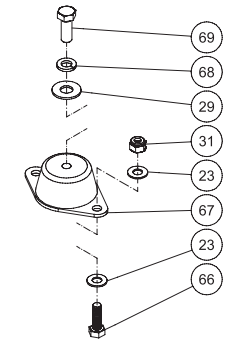
ADS 120 GAL HORIZONTAL M SERIES



DETAIL C



DETAIL B



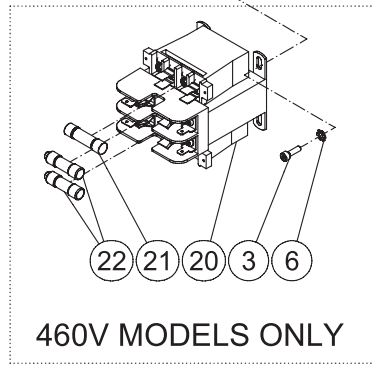
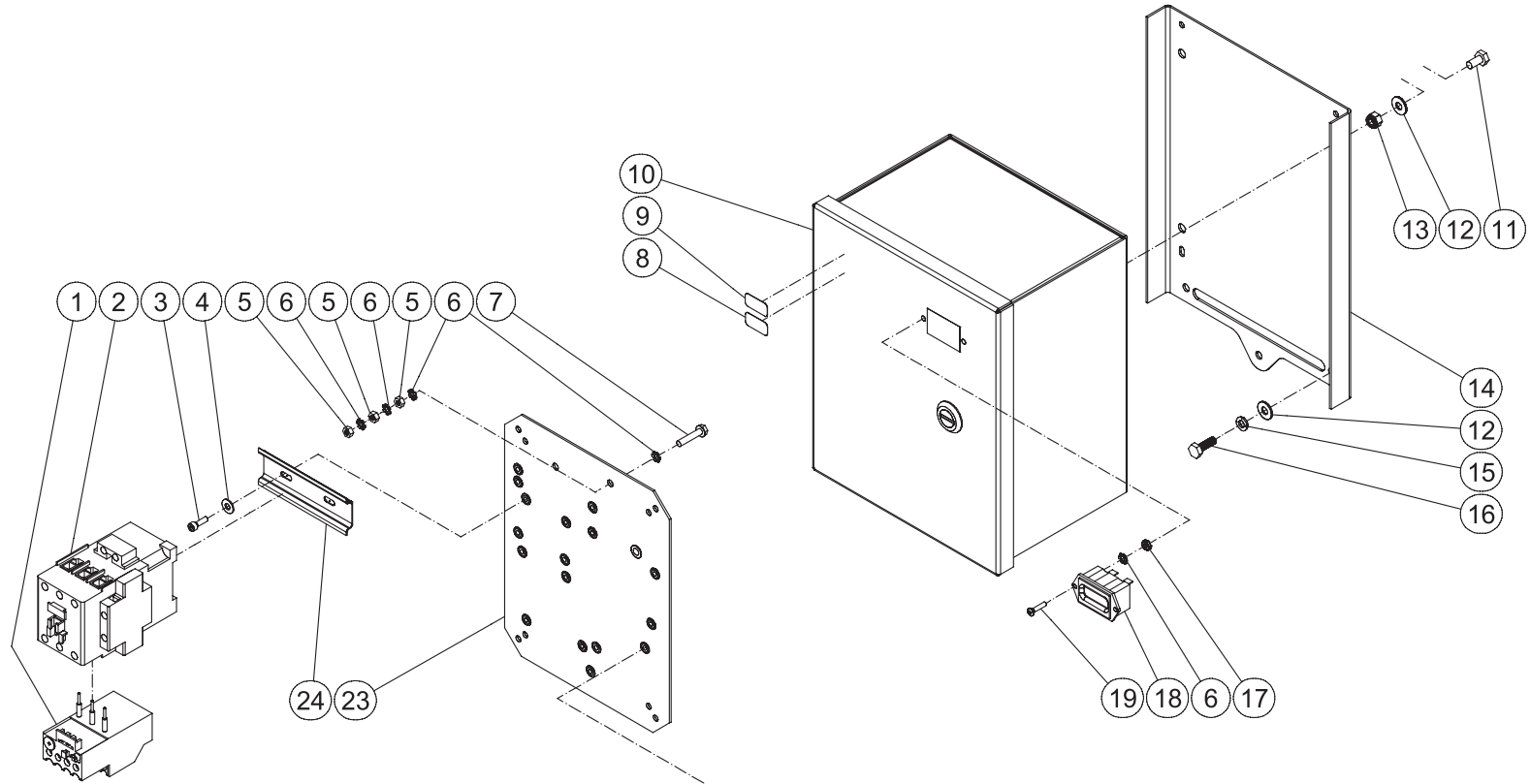
DETAIL A

ADS 120 HORIZONTAL M SERIES 112916 RJA

TANK ASSEMBLY							
ITEM	DESCRIPTION	PART #	QTY	ITEM	DESCRIPTION	PART #	QTY
1	PETCOCK	23-0312	1	36	BELT	11-0079	3
2	DECAL - #5M	34-2171	1	37	DECAL - ROTATION DIRECTION (SEE 71-0083)	N/A	1
3	DECAL MI-T-M STRIPE	34-2282	1	38	AFTERCOOLER OPTION	IX-0003	1
4	TANK ASSEMBLY	12-0201A01	1	39	DECAL - MI-T-M	34-2170	1
5	REDUCER	24-0233	1	40	BOLT	27-9524	10
6	NIPPLE	24-0200	1	41	BELTGUARD FRONT ASSEMBLY (INC. 34, 42)	854-0101	1
7	BALL VALVE	22-0344	1	42	BELTGUARD FRONT (SEE 854-0099)	N/A	1
8	COPPER TUBE *(THREE FOOT REQUIRED)	54-0034	1	43	BOLT	27-0015	3
9	ADAPTER	23-0328	1	44	BUSHING	9-0090	1
10	CHECK VALVE	22-0447	1	45	SHEAVE	10-0146	1
11	TANK DRAIN OPTION	IX-0032	1	46	KEY	N/A	1
12	LOW OIL SHUTDOWN OPTION	IX-0036	1	47	MOTOR (ADS-23110)	2-0174	1
13	PUMP	3-0313	1	-	MOTOR (ADS-20310)	2-0165	1
14	DECAL - RISK OF BURNS (SEE 71-0083)	N/A	3	-	MOTOR (ADS-23310, ADS-46310)	2-0176	1
15	BASEPLATE	5-0282A01	1	48	BOLT	27-0218	4
16	CONDUIT FLEX *(FIVE FEET REQUIRED)	32-0253	1	49	DECAL - CAUTION/WARNING/DANGER (SEE 71-0083)	N/A	1
-	CONDUIT FLEX 1/2" BLACK *(TWO FEET REQUIRED)	32-0253	1	50	DECAL-IND A/C MAINTENANCE (SEE 71-0083)	N/A	1
-	CONDUIT FLEX 3/4" BLACK *(THREE FEET REQUIRED)	32-0486	1	51	DECAL - OPERATING INSTRUCTIONS (SEE 71-0083)	N/A	1
17	CONDUIT ELBOW	32-0254	3	52	DECAL- SILVER STICKER	N/A	1
-	CONDUIT ELBOW - 1/2"	32-0254	1	53	BELT TENSIONER PLATE	20-1030A01	1
-	CONDUIT ELBOW - 3/4"	32-0487	2	54	BOLT	27-0133	2
-	LOCKNUT ELECT 3/4"	32-0292	2	55	PLUG	24-0219	1
18	WASHER (ADS-20310)	32-0603	2	56	DECAL - TANK DRAIN (SEE 71-0083)	N/A	2
-	WASHER (ADS-23310, ADS-46310)	32-1002	2	58	PRESSURE RELIEF VALVE	22-0267	1
19	BOLT	27-0220	4	59	PLUG	39-0014	1
20	WASHER	28-0006	16	60	REDUCER	23-0111	1
21	NUT	30-0163	8	57	PRESSURE SWITCH	22-0416	1
22	BOLT	27-0066	2	61	PRESSURE GAUGE	22-0271	1
23	WASHER	28-0003	20	62	REDUCER	23-0226	1
24	ELBOW	23-0472	1	63	REDUCER	23-0056	1
25	HOSE	15-0259	1	64	NIPPLE	24-0315	1
26	DECAL - CHECK OIL	N/A	1	65	PLUG	24-0009	1
27	SPACER	33-0425	2	66	BOLT	27-0067	8
28	BELTGUARD STABILIZER	20-1032A01	2	67	ISOLATOR	14-0109	4
29	WASHER	28-0023	8	68	LOCKWASHER	29-0008	4
30	BOLT	27-8071	2	69	BOLT	27-0117	4
31	LOCKNUT	30-0157	10	70	STRAIN RELIEF	32-0586	1
32	BELTGUARD BACK ASSEMBLY (INC. 33-35)	854-0100	1	71	ELECTRICAL LOCKNUT	32-0587	1
33	BELTGUARD BACK	N/A	1	72	CONDUIT FITTING	32-0255	1
34	EDGING *(NINE FEET REQUIRED)	33-0020	1	73	CONTROL BOX - SIMPLEX	N/A SEP	1
35	DECAL - BELTGUARD IN PLACE (SEE 71-0083)	N/A	1	-	DECAL SET - SIMPLEX	71-0083	1

*MUST ORDER IN ONE FOOT LENGTHS

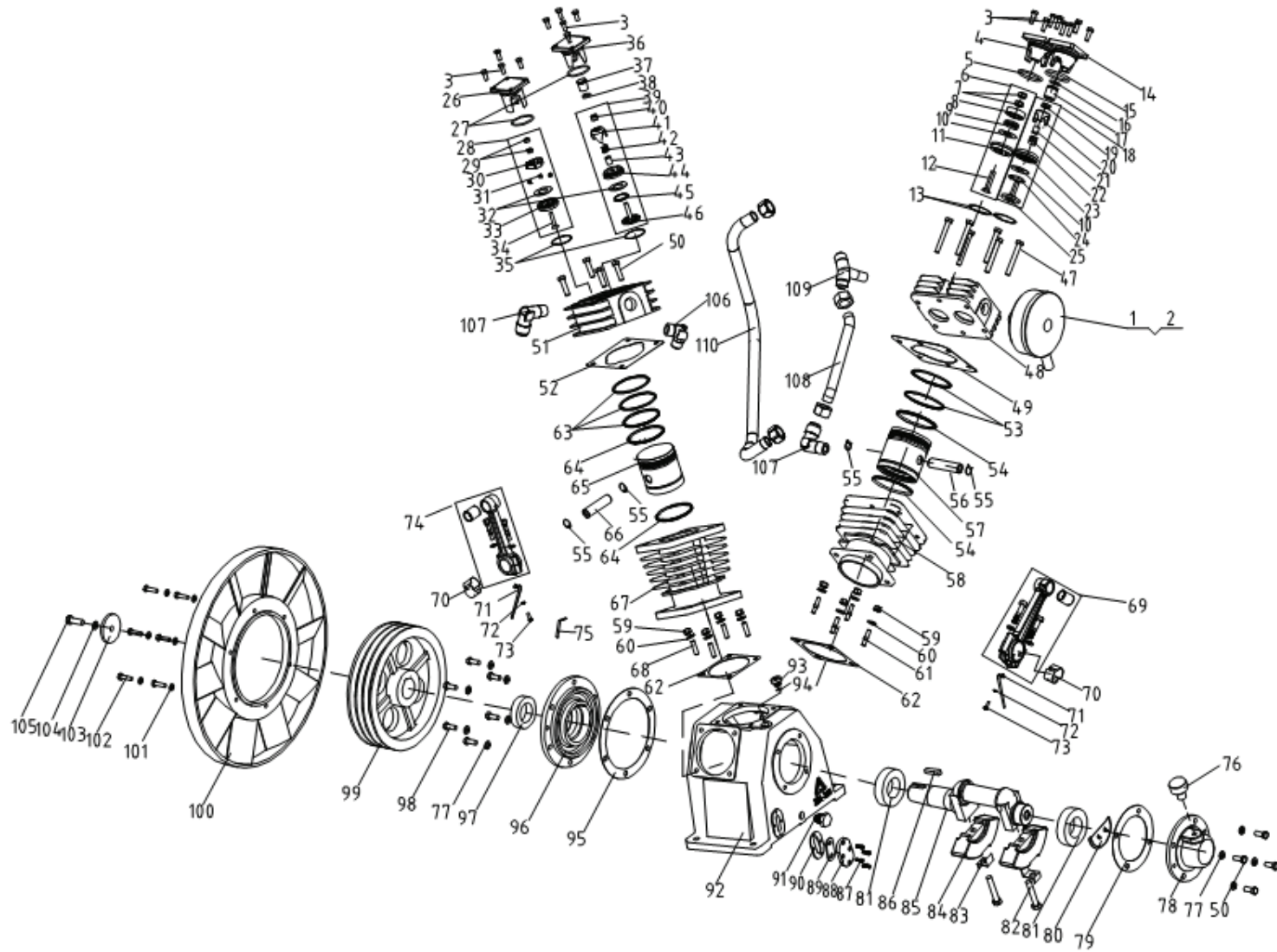
CONTROL BOX (SIMPLEX)



CONTROL BOX - SIMPLEX 112116 RJA

CONTROL BOX - SIMPLEX 112116 RJA			
CONTROL BOX (SIMPLEX)			
ITEM	DESCRIPTION	PART #	QTY
1	OVERLOAD RELAY (ACS-23105, ACS-20375	32-1076	1
-	OVERLOAD RELAY (ACS-20305, ACS-23375, AES-46315	32-1075	1
-	OVERLOAD RELAY (ACS-23305, ADS-46310	32-0482	1
-	OVERLOAD RELAY (ACS-46305, ACS-46375	32-0481	1
-	OVERLOAD RELAY (ACS-23175, ADS-20310, AES-23315	32-0485	1
-	OVERLOAD RELAY (ADS-23110, AES-20315)	32-0490	1
-	OVERLOAD RELAY (ADS-23310)	32-1074	1
2	CONTACTOR (ACS-23105, ACS-20375, ADS-23310)	32-0945	1
-	CONTACTOR (ACS-20305, ACS-23375)	32-0235	1
-	CONTACTOR (ACS-23305)	32-0237	1
-	CONTACTOR (ACS-46305, ACS-46375, ADS-46310)	32-0327	1
-	CONTACTOR (ACS-23175, ADS-20310, AES-23315)	32-0232	1
-	CONTACTOR (ADS-23110, AES-20315)	32-0700	1
-	CONTACTOR (AES-46315)	32-0329	1
3	SCREW	27-8835	4
4	WASHER	28-0001	2
5	NUT	30-6001	3
6	STAR WASHER	28-1009	8
7	BOLT	27-8807	1
8	DECAL - 3 PHASE (SEE 71-0085)	N/A	1
9	DECAL - 230 VOLT (SEE 71-0085)	N/A	1
-	DECAL - 208V	N/A	1
-	DECAL - 460V	N/A	1
10	ELECTRIC BOX - STEEL - 8X10X6	32-1003	1
11	BOLT	27-0014	4
12	WASHER	28-0002	7
13	LOCKNUT	30-0155	4
14	MOUNTING PLATE	20-1037A01	1
15	LOCKWASHER	29-0006	3
16	BOLT	27-0015	3
17	NUT	30-0052	2
18	HOUR METER	32-0668	1
19	SCREW	27-8881	2
20	TRANSFORMER	32-0313	1
21	FUSE	32-0323	1
22	FUSE	32-0467	2
23	CONTROL PANEL	20-0723A06	1
24	DIN RAIL *(ONE FOOT REQUIRED)	32-0316	1
*MUST ORDER IN ONE FOOT LENGTHS			

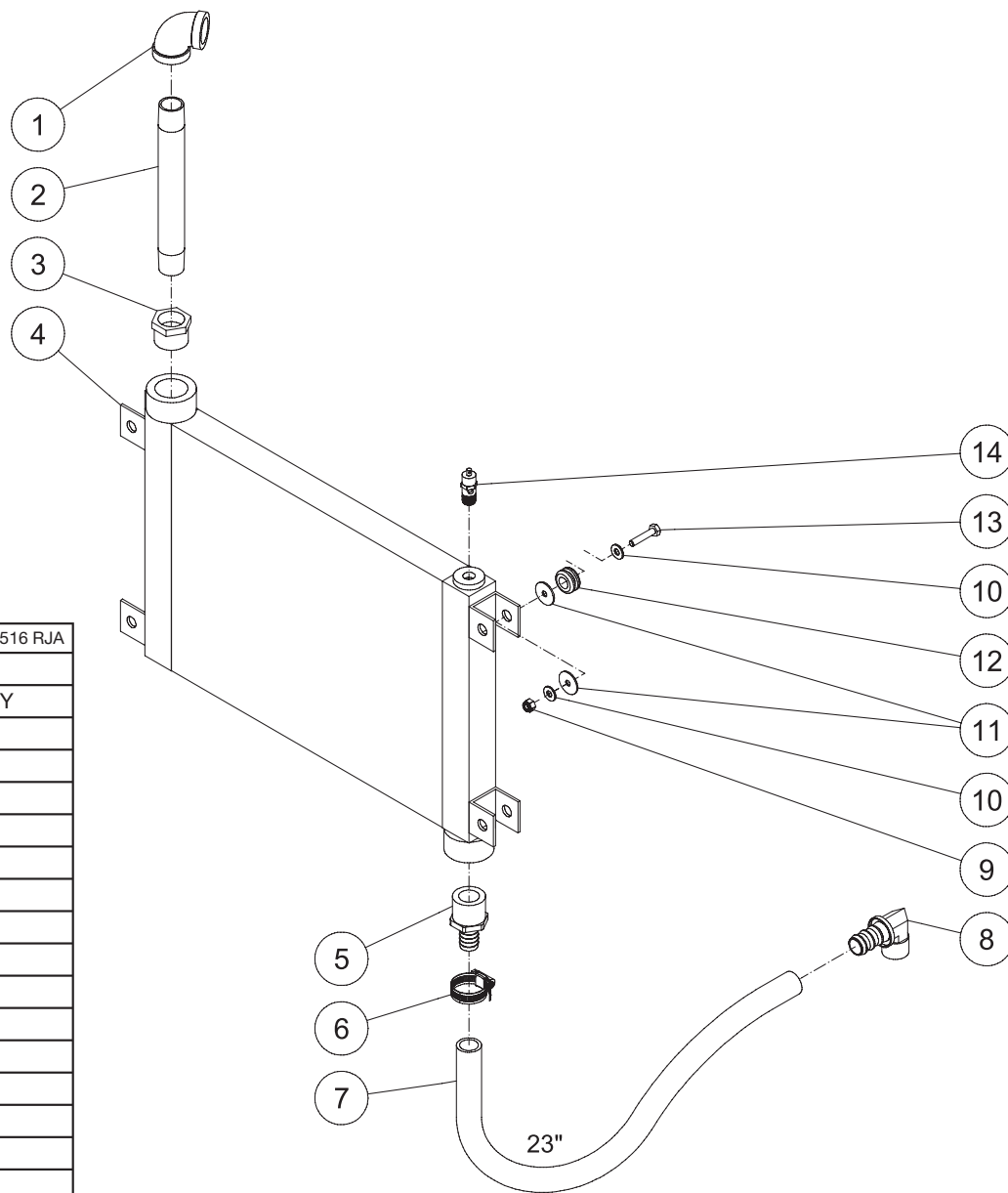
COMPRESSOR PUMP (3-0313)



3-0313 122713-JDK

PUMP ASSEMBLY							
ITEM	DESCRIPTION	Mi-T-M #	QTY	ITEM	DESCRIPTION	Mi-T-M #	QTY
1	AIR STRAINER ASSEMBLY	19-0259	2	57	PISTON (1ST)	N/A	2
2	AIR STRAINER ELEMENT (NOT SHOWN)	19-0260	2	58	CYLINDER (1ST)	N/A	2
3	BOLT	N/A	16	59	NUT (1ST)	N/A	12
4	PUSH COVER (1ST)	N/A	2	60	WASHER (1ST)	N/A	12
5	O-RING (OUTLET VALVE-1ST)	25-0608	2	61	BOLT (1ST)	N/A	8
6	OUTLET VALVE ASSEMBLY (1ST)	8-0599	2	62	GASKET (SEE KIT 70-0531)	26-0337	3
7	NUT (OUTLET VALVE-1ST)	N/A	4	63	COMPRESSION RING (2ND)	N/A	3
8	RECEIVER (1ST)	N/A	2	64	OIL CONTROL RING (2ND)	N/A	2
9	SPRING (1ST)	N/A	2	65	PISTON (2ND)	N/A	1
10	PLATE (1ST)	N/A	4	66	PIN (2ND)	N/A	1
11	SEAT (1ST)	N/A	2	67	CYLINDER (2ND)	N/A	1
12	BOLT (1ST)	N/A	2	68	BOLT (1ST)	N/A	4
13	GASKET (1ST) (SEE KIT 70-0531)	26-0333	4	69	CONNECTING ROD ASSEMBLY (1ST)	N/A	2
14	PUSH COVER (1ST)	N/A	2	70	PIN (1ST)	N/A	6
15	O-RING (INLET VALVE-1ST)	25-0609	2	71	OIL SPLASH DIPPER	N/A	2
16	O-RING (UNLOADER-1ST)	25-0610	2	72	WASHER	N/A	3
17	PISTON (1ST)	46-1346	2	73	BOLT	N/A	3
18	INLET VALVE ASSEMBLY-1ST	8-0598	2	74	CONNECTING ROD ASSEMBLY (2ND)	N/A	1
19	LOCKNUT (INLET VALVE-1ST)	N/A	2	75	OIL SPLASH DIPPER	N/A	1
20	UNLOADER FORK (1ST)	N/A	2	76	BREATHER ASSEMBLY	46-1345	1
21	UNLOADER FORK GUIDE (1ST)	N/A	2	77	WASHER	N/A	10
22	SPRING (1ST)	N/A	2	78	COVER	N/A	1
23	SEAT (1ST)	N/A	2	79	GASKET (SEE KIT 70-0531)	26-0338	1
24	SPRING (1ST)	N/A	2	80	OIL BAFFLE	N/A	1
25	RECEIVER (1ST)	N/A	2	81	BEARING	N/A	2
26	PUSH COVER (2ND)	N/A	1	82	BOLT	N/A	2
27	O-RING (OUTLET VALVE-2ND)	25-0612	2	83	LOCKWASHER	N/A	2
28	OUTLET VALVE ASSEMBLY (2ND)	8-0601	1	84	COUNTERWEIGHT	N/A	2
29	NUT (OUTLET VALVE-2ND) (SEE KIT 8-0601)	SEE KIT	2	85	CRANKSHAFT	N/A	1
30	RECEIVER (2ND) (SEE KIT 8-0601)	SEE KIT	1	86	PIN	N/A	1
31	SPRING (2ND) (SEE KIT 8-0601)	SEE KIT	1	87	BOLT	27-8873	4
32	PLATE (2ND) (SEE KIT 8-0601)	SEE KIT	2	88	PUSH COVER	46-1562	1
33	SEAT (2ND) (SEE KIT 8-0601)	SEE KIT	1	89	SIGHT GLASS ASSEMBLY	46-1563	1
34	BOLT (2ND) (SEE KIT 8-0601)	SEE KIT	1	90	GASKET	26-0394	1
35	GASKET (2ND) (SEE KIT 70-0531)	26-0334	2	91	OIL PLUG	N/A	1
36	PUSH COVER (2ND)	N/A	1	92	CRANKCASE	N/A	1
37	PISTON (2ND)	46-1347	1	93	CAP	N/A	1
38	O-RING (UNLOADER-2ND)	25-0613	1	94	O-RING	N/A	1
39	INLET VALVE ASSEMBLY (2ND)	8-0600	1	95	GASKET (SEE KIT 70-0531)	26-0339	1
40	LOCKNUT (INLET VALVE-2ND) (SEE KIT 8-0600)	SEE KIT	1	96	COVER	N/A	1
41	UNLOADER FORK (2ND) (SEE KIT 8-0600)	SEE KIT	1	97	OIL SEAL	N/A	1
42	SPRING (2ND) (SEE KIT 8-0600)	SEE KIT	1	98	BOLT (1ST)	N/A	6
43	UNLOADER FORK GUIDE (2ND) (SEE KIT 8-0600)	SEE KIT	1	99	PULLEY	N/A	1
44	SEAT (2ND) (SEE KIT 8-0600)	SEE KIT	1	100	FAN	N/A	1
45	SPRING (2ND) (SEE KIT 8-0600)	SEE KIT	1	101	WASHER	N/A	6
46	RECEIVER (2ND) (SEE KIT 8-0600)	SEE KIT	1	102	BOLT	N/A	6
47	BOLT (1ST)	N/A	12	103	WASHER	N/A	1
48	CYLINDER HEAD (1ST)	N/A	2	104	WASHER	N/A	1
49	GASKET (1ST) (SEE KIT 70-0531)	26-0335	2	105	BOLT	N/A	1
50	BOLT (1ST)	N/A	8	106	JOINT	N/A	1
51	CYLINDER HEAD (2ND)	N/A	1	107	JOINT	N/A	2
52	GASKET (2ND) (SEE KIT 70-0531)	26-0336	1	108	PIPING ASSEMBLY	46-1348	1
53	COMPRESSION RING (1ST)	N/A	4	109	JOINT	N/A	1
54	OIL CONTROL RING (1ST)	N/A	4	110	PIPING ASSEMBLY - LONG	46-1349	1
55	SNAP RING (1ST)	N/A	6	-	GASKET KIT (INCLUDES #'S 13, 35, 49, 52, 62, 79, 95)	70-0531	1
56	PIN (1ST)	N/A	2				

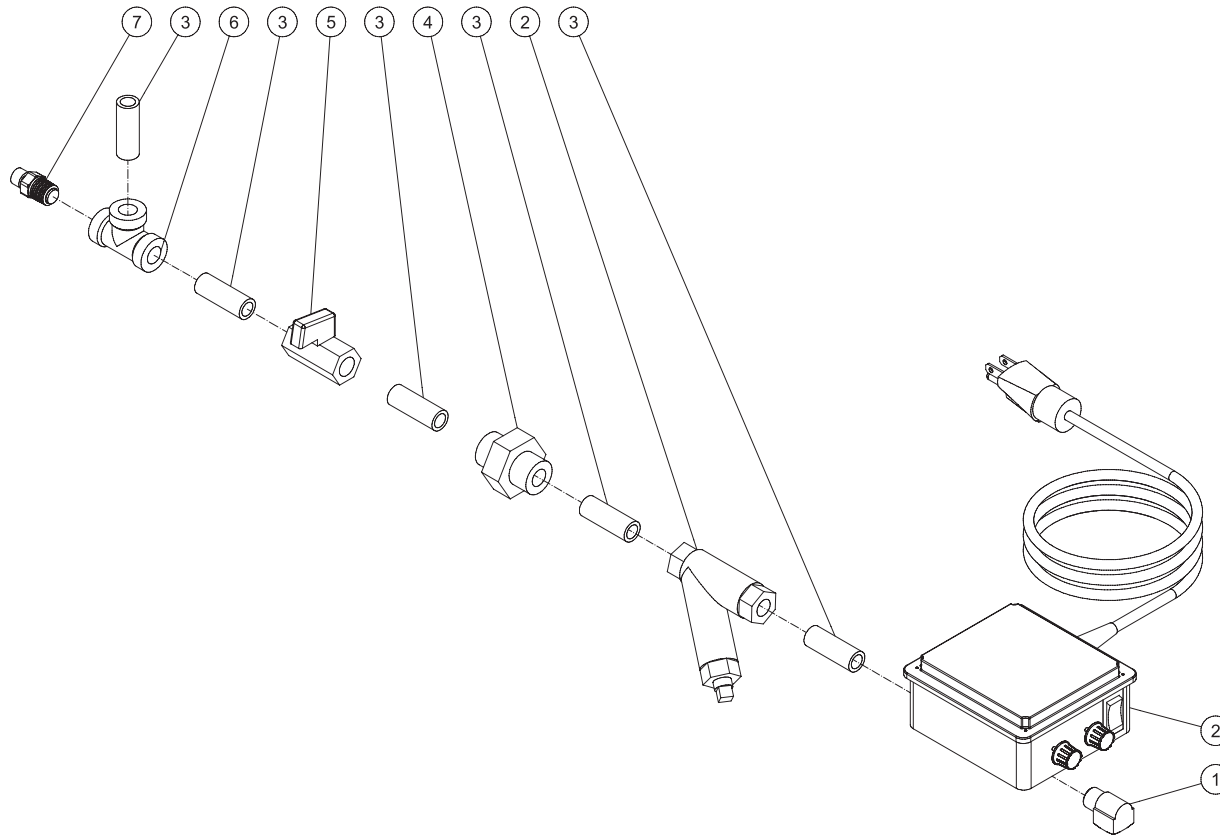
AFTERCOOLER (IX-0003)



IX-0003 111516 RJA			
AFTERCOOLER			
ITEM	DESCRIPTION	PART #	QTY
1	ELBOW	24-0102	1
2	NIPPLE	24-0207	1
3	REDUCER	23-0473	1
4	AFTERCOOLER	33-0488	1
5	BARB	23-0484	1
6	HOSE CLAMP	42-0018	1
7	HOSE *(TWO FEET REQUIRED)	15-0289	1
8	BARB	23-0482	1
9	LOCKNUT	30-0155	4
10	WASHER	28-0002	8
11	WASHER	28-1064	8
12	GROMMET	33-0001	4
13	BOLT	27-0017	4
14	PRESSURE RELIEF VALVE	22-0267	1
*MUST ORDER IN ONE FOOT LENGTHS			

IX-0003 111516 RJA

ELECTRIC TANK DRAIN (IX-0006)

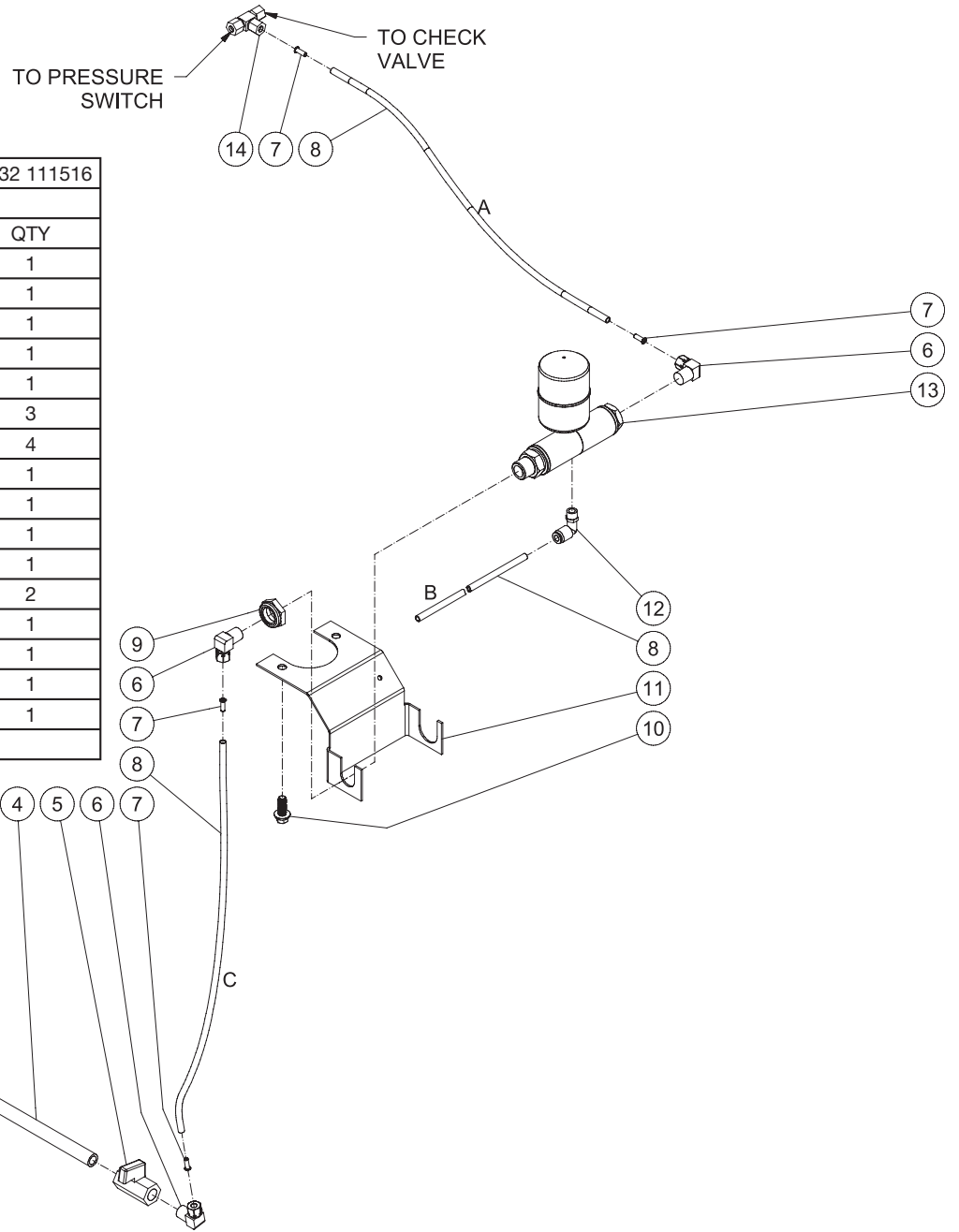


IX-0006 112816 JJR			
ELECTRIC TANK DRAIN			
ITEM	DESCRIPTION	PART #	QTY
1	ELBOW	23-0014	1
2	ELECTRIC DRAIN	AT-4012-J	1
3	NIPPLE	24-0313	5
4	UNION	24-0317	1
5	BALL VALVE	22-0449	1
6	TEE	23-0067	1
7	PETCOCK	23-0312	1

IX-0006 112816 JJR

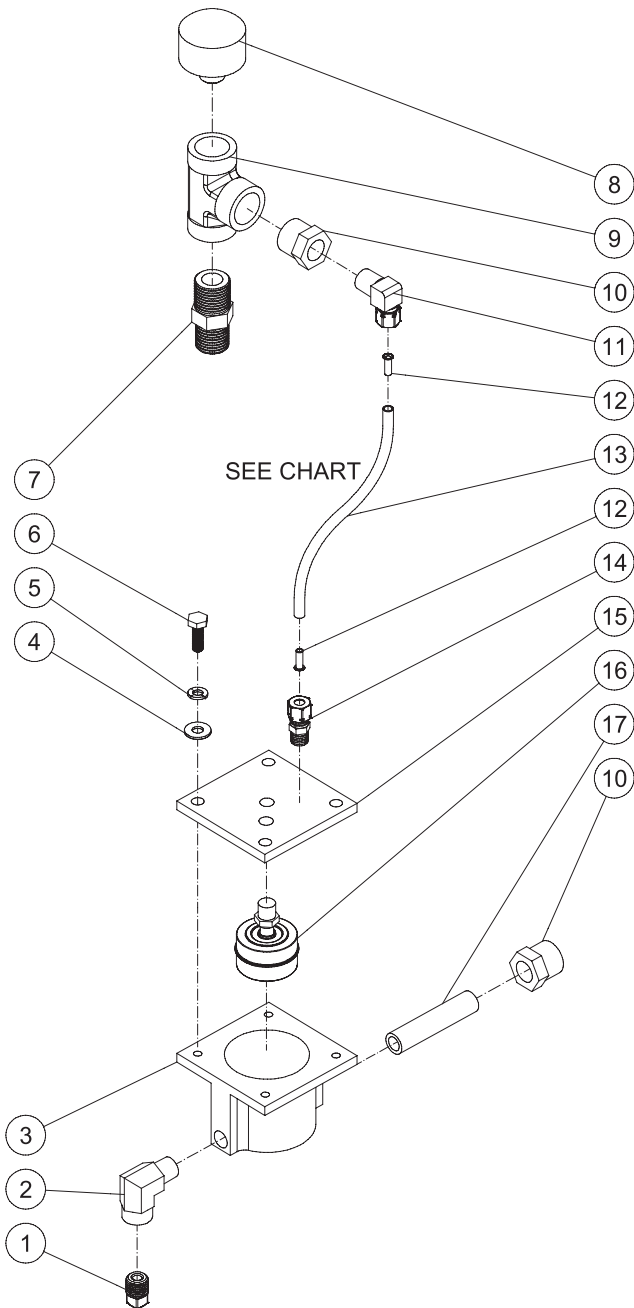
TANK DRAIN OPTION (IX-0032)

IX-0032 111516			
TANK DRAIN OPTION			
ITEM	DESCRIPTION	PART #	QTY
1	PETCOCK	23-0312	1
2	NIPPLE	24-0313	1
3	TEE	23-0067	1
4	NIPPLE	24-0315	1
5	BALL VALVE	22-0449	1
6	ADAPTER	23-0417	3
7	TUBE SUPPORT	23-0486	4
8	HOSE *(SEVENTEEN FEET REQUIRED TUBE A)	15-0240	1
-	HOSE *(THIRTY FEET REQUIRED TUBE B)	15-0240	1
-	HOSE *(TWENTY-EIGHT FEET REQUIRED TUBE C)	15-0240	1
9	NUT	30-0210	1
10	BOLT	27-9524	2
11	BRACKET	13-0197A01	1
12	ELBOW	55-0104	1
13	PNEUMATIC DRAIN	22-0448	1
14	TEE	23-0476	1
*MUST ORDER IN ONE FOOT LENGTHS			



IX-0032 111516 RJA

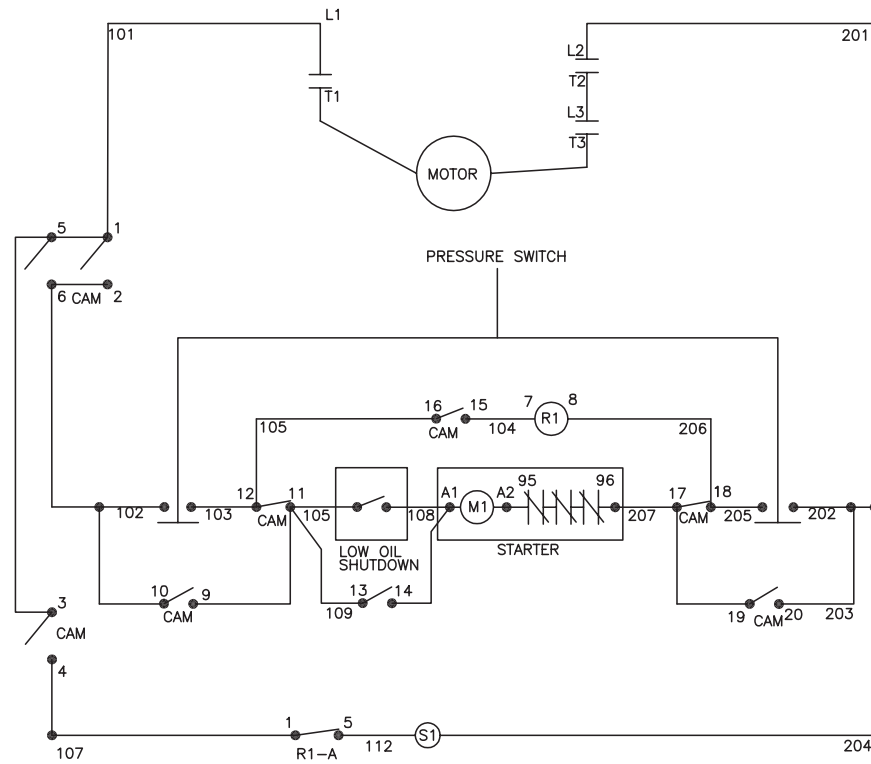
LOW OIL SHUTDOWN (IX-0036)



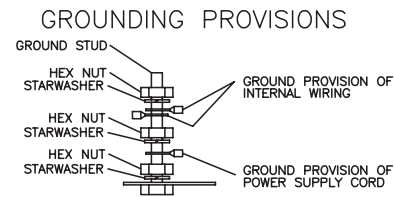
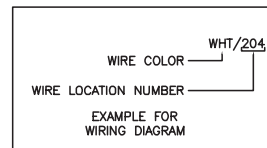
IX-0036 112216 RJA			
LOW OIL SHUTDOWN			
ITEM	DESCRIPTION	PART #	QTY
1	PLUG	24-0009	1
2	ELBOW	24-0021	1
3	OIL CANISTER	56-0062	1
4	WASHER	28-0002	4
5	LOCKWASHER	29-0006	4
6	BOLT	27-0015	4
7	NIPPLE	24-0031	1
8	BREATHER (W/ PUMP)	N/A	1
9	TEE	24-0055	1
10	REDUCER	24-0053	2
11	ADAPTER	23-0417	1
12	TUBE SUPPORT	23-0486	2
13	HOSE *(EIGHT FEET REQUIRED IF USING 3-0313 PUMP)	15-0240	1
-	HOSE *(NINE FEET REQUIRED IF USING 3-0314 PUMP)	15-0240	1
14	ADAPTER	23-0328	1
15	LID	56-0063	1
16	FLOAT	32-0998	1
17	NIPPLE	24-0314	1
*MUST ORDER IN ONE FOOT LENGTHS			

IX-0036 112216 RJA

WIRING SCHEMATIC (230V SINGLE PHASE) M SERIES (AFTER SERIAL #20107354)

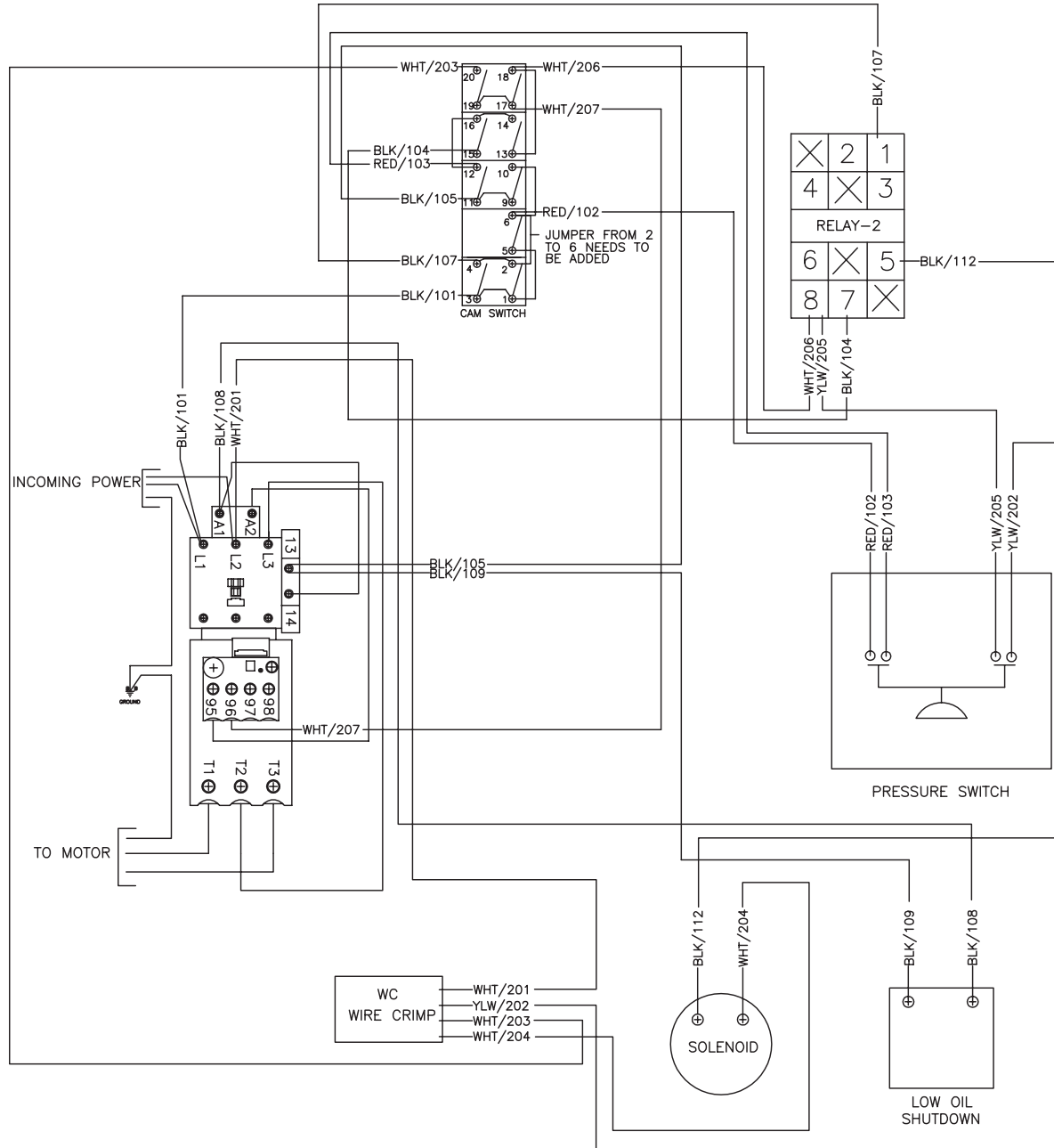


NOTES:
 1) ALL WIRES ARE 16GA UNLESS OTHERWISE SPECIFIED



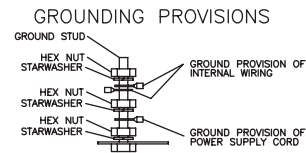
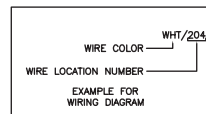
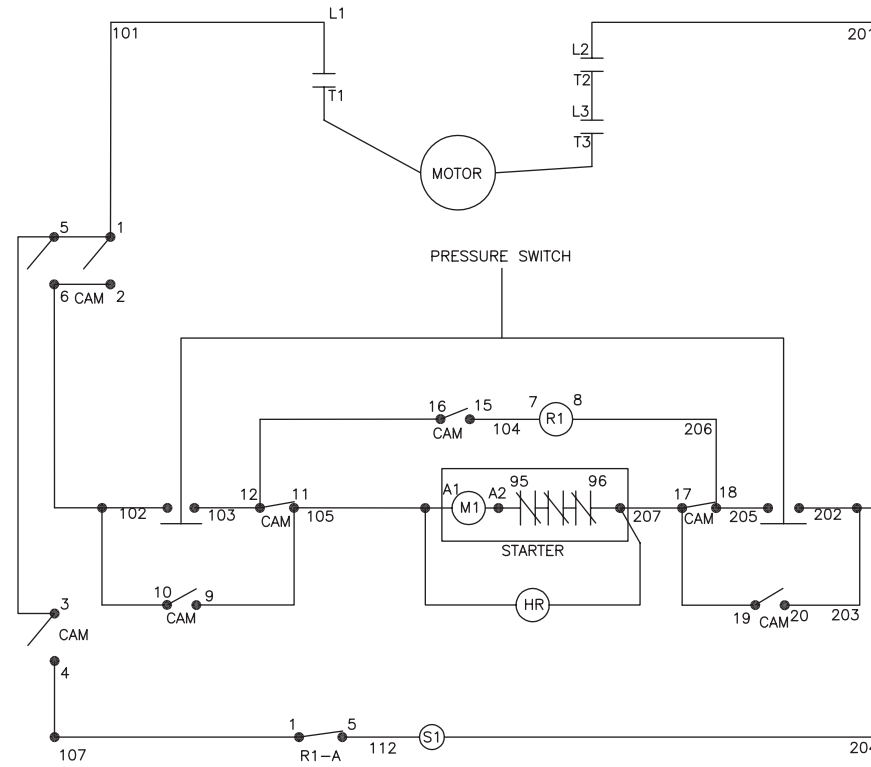
IX-0036 112216

WIRING DIAGRAM (230V SINGLE PHASE) M SERIES (AFTER SERIAL #20107354)



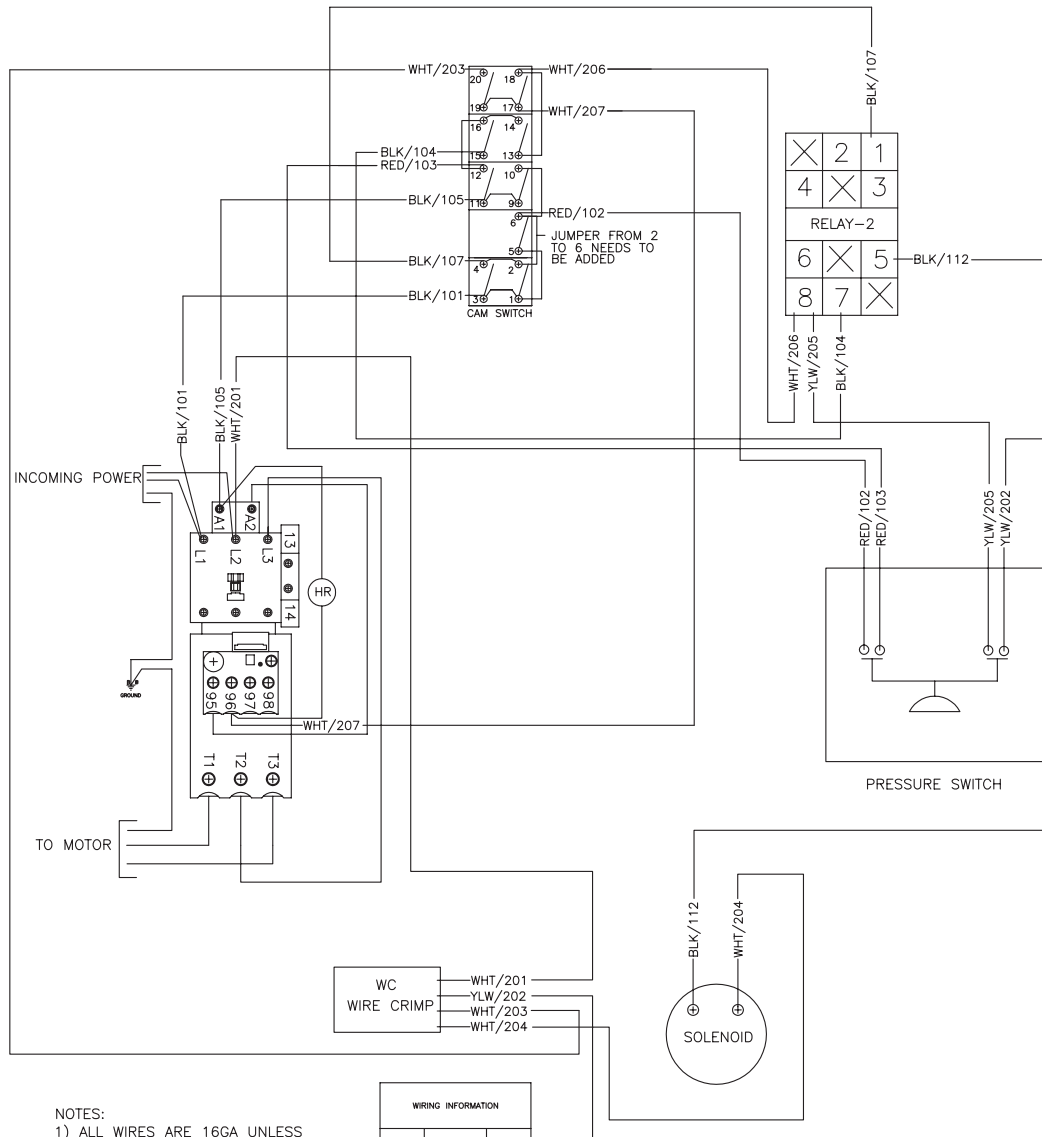
WIRING DIAGRAM 200-230V Single Phase 100509

WIRING SCHEMATIC DUAL CONTROL AND STARTER (230V SINGLE PHASE) (AFTER SERIAL #20107354)



WIRING SCHEMATIC DUAL CONTROL AND STARTER 230V SINGLE PHASE 050411

WIRING DIAGRAM DUAL CONTROL AND STARTER (230V SINGLE PHASE) (AFTER SERIAL #20107354)

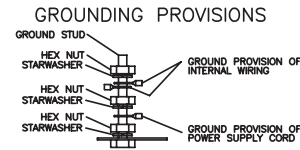
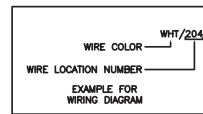
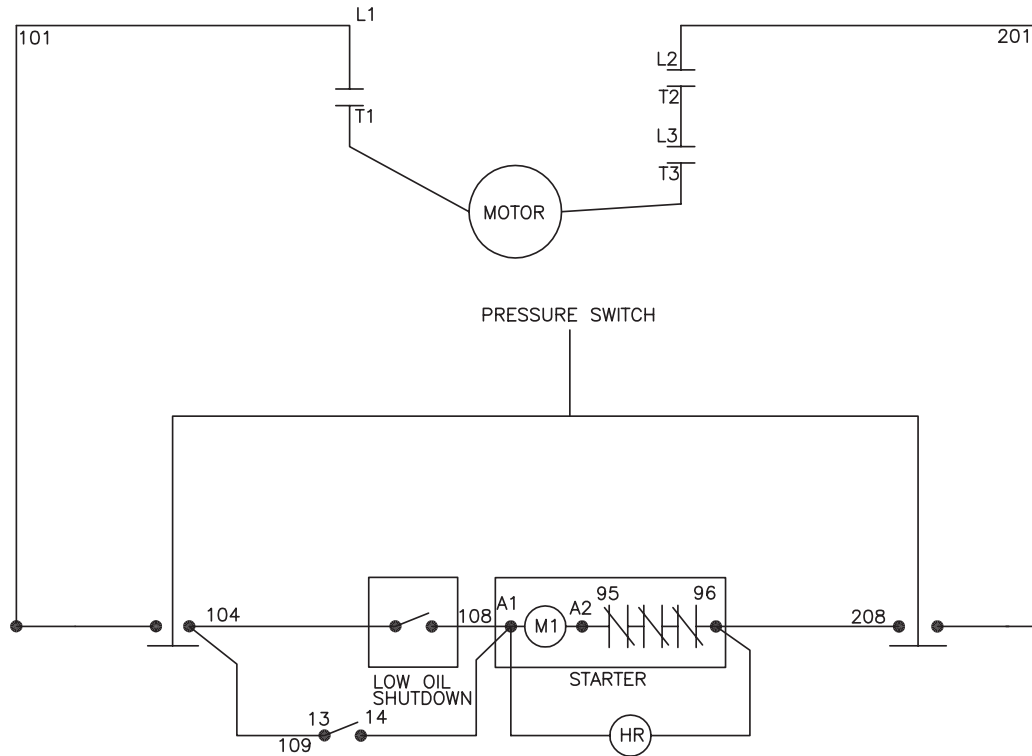


NOTES:
1) ALL WIRES ARE 16GA UNLESS OTHERWISE SPECIFIED

WIRING INFORMATION		
HP	VOLTAGE	WIRE SIZE
5	230	10
7.5	230	8
10	230	8

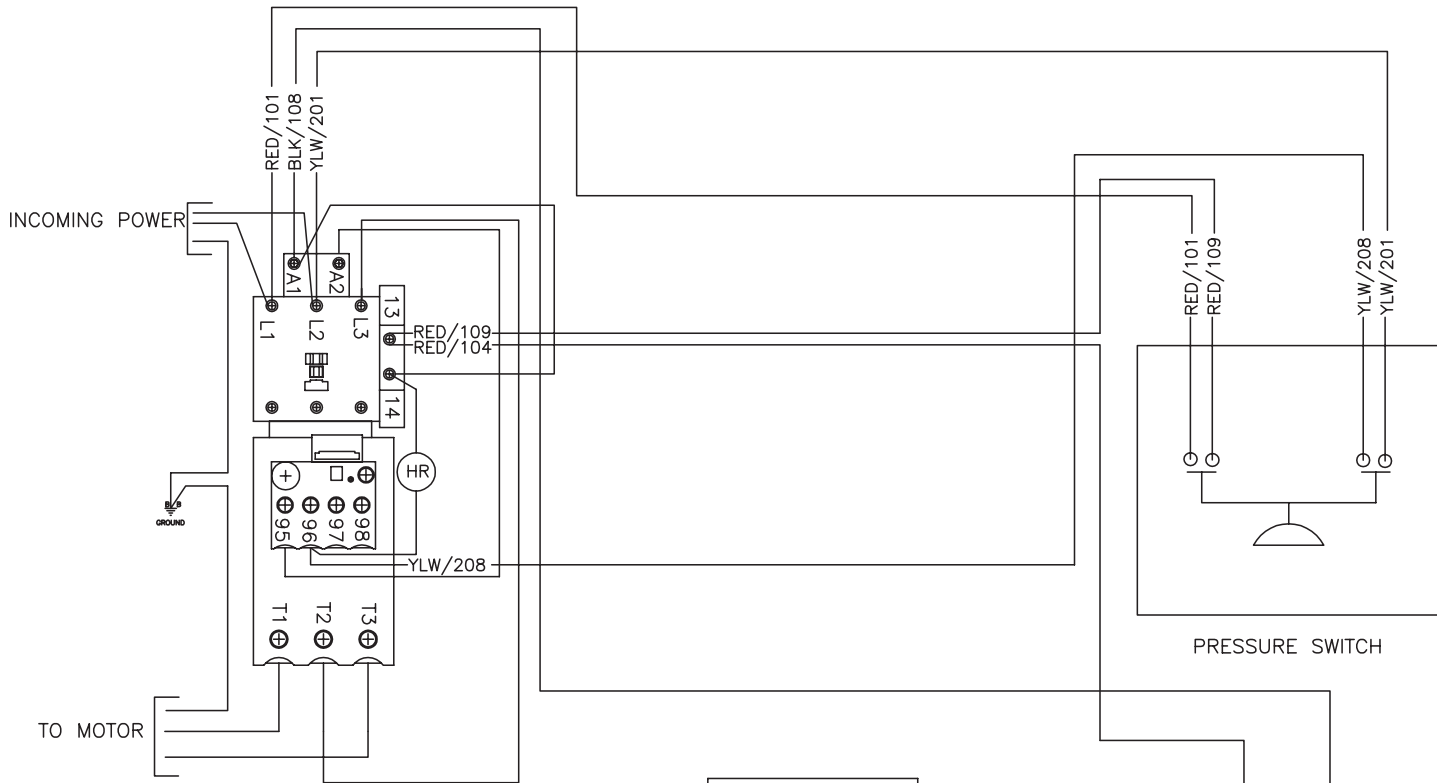
WIRING DIAGRAM DUAL CONTROL AND STARTER 230V SINGLE PHASE 050411

WIRING SCHEMATIC LOW OIL SHUTDOWN AND STARTER (230V SINGLE PHASE)



WIRING SCHEMATIC LOW OIL SHUTDOWN AND STARTER 230V SINGLE PHASE 050411

WIRING DIAGRAM LOW OIL SHUTDOWN AND STARTER (230V SINGLE PHASE)

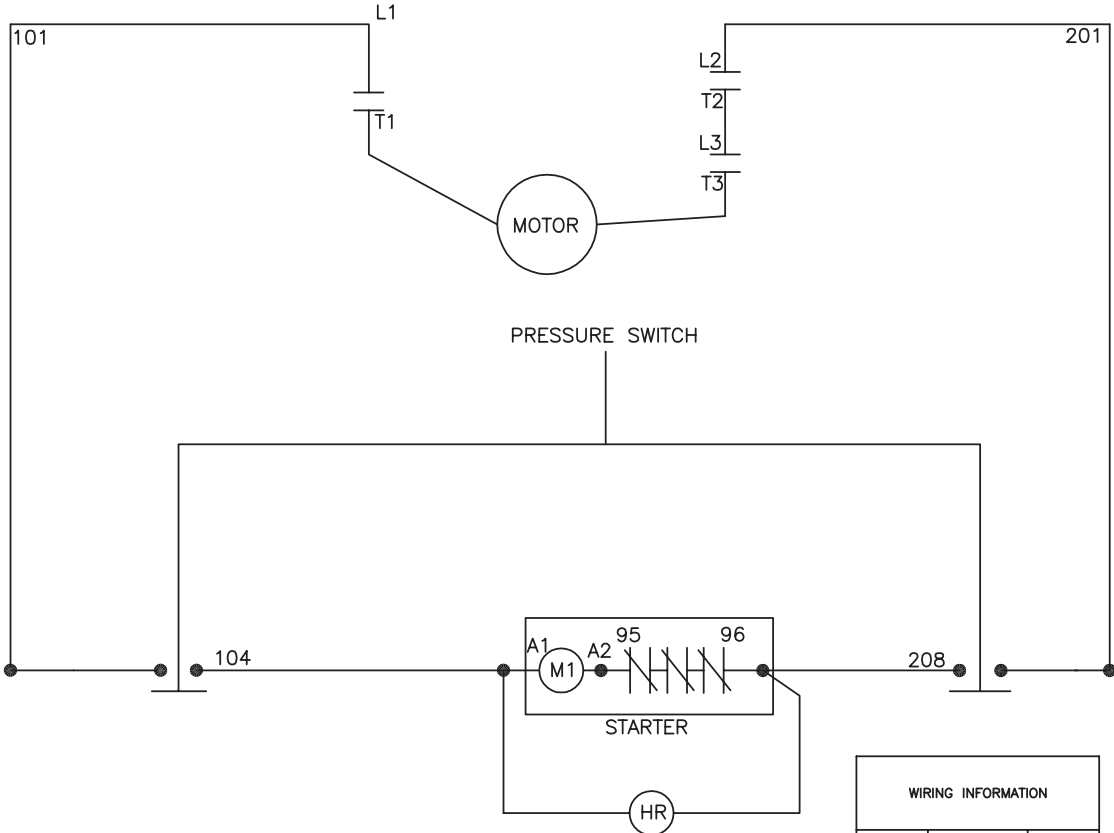


NOTES:
 1) ALL WIRES ARE 16GA UNLESS OTHERWISE SPECIFIED

WIRING INFORMATION		
HP	VOLTAGE	WIRE SIZE
5	230	10
7.5	230	8
10	230	8

WIRING DIAGRAM LOW OIL SHUTDOWN AND STARTER 230V SINGLE PHASE 050411

WIRING SCHEMATIC STARTER (230V SINGLE PHASE)

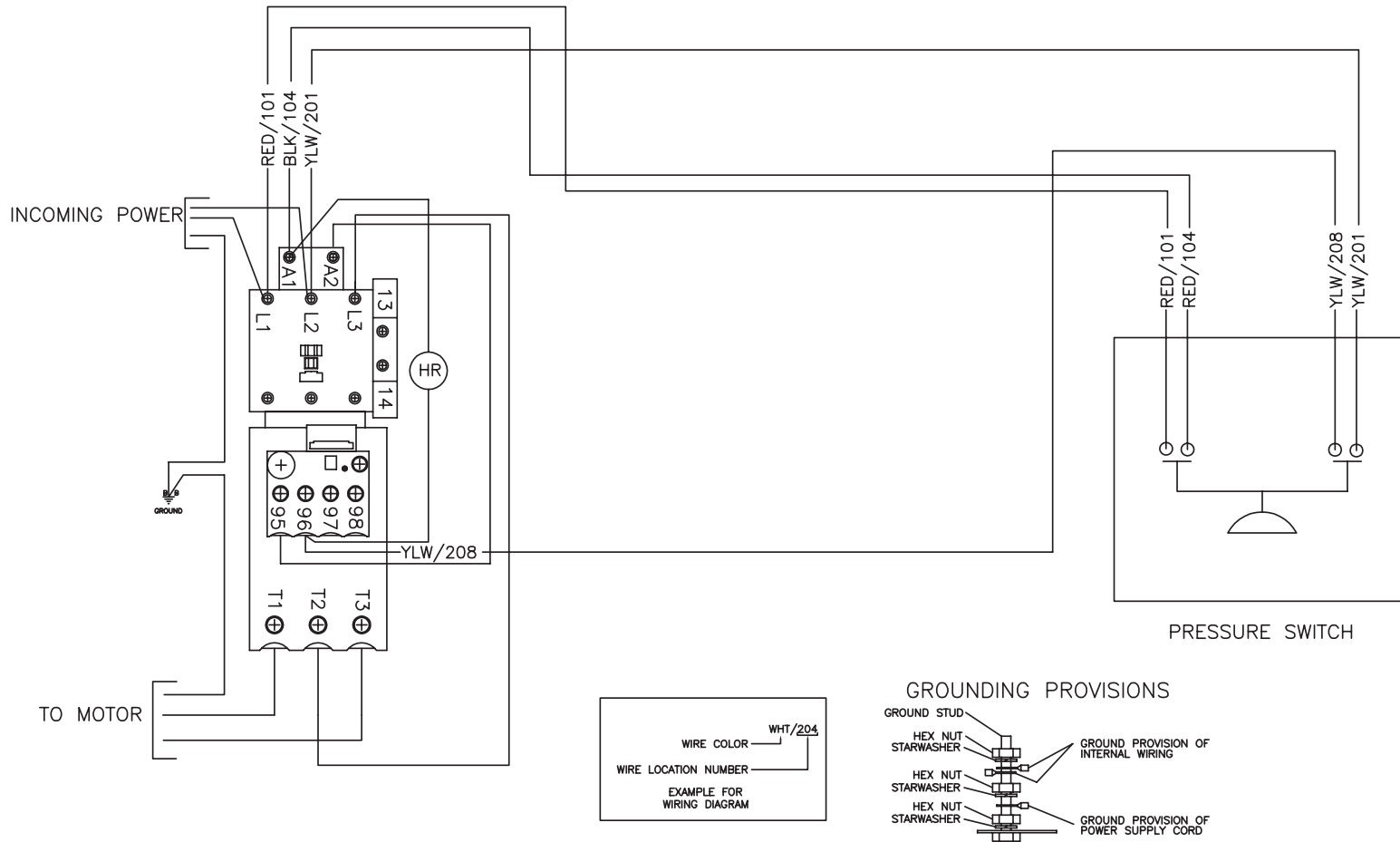


NOTES:
 1) ALL WIRES ARE 16GA UNLESS OTHERWISE SPECIFIED

WIRING INFORMATION		
HP	VOLTAGE	WIRE SIZE
5	230	10
7.5	230	8
10	230	8

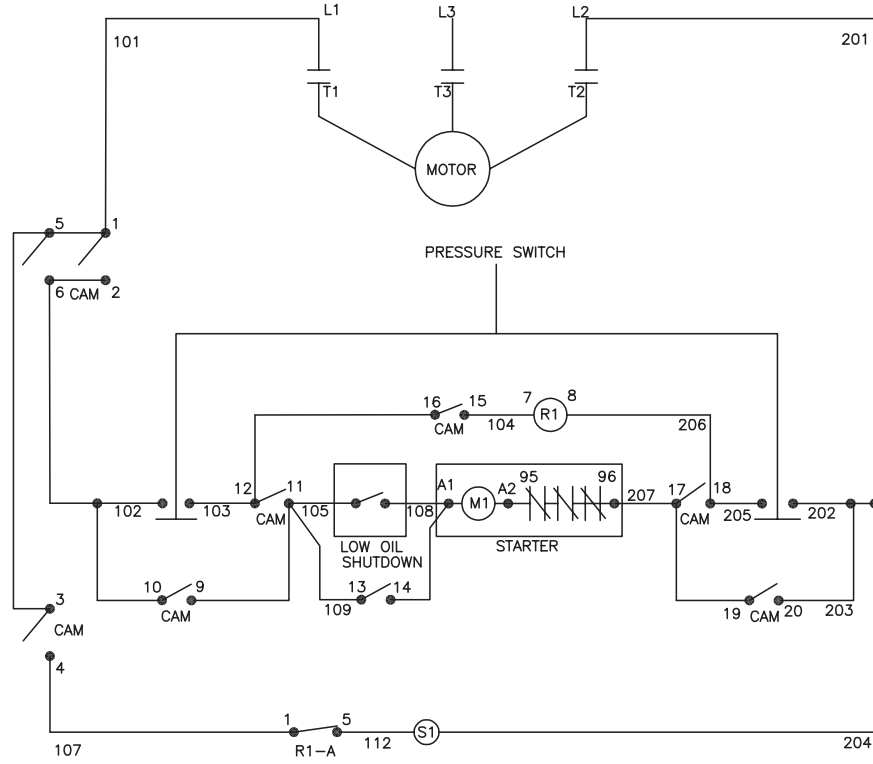
WIRING SCHEMATIC STARTER 230V SINGLE PHASE 050411

WIRING DIAGRAM STARTER (230V SINGLE PHASE)

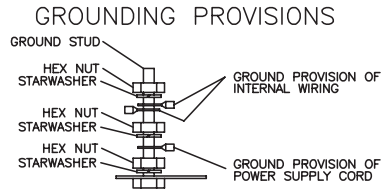
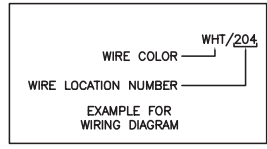


WIRING DIAGRAM STARTER 230V SINGLE PHASE 050411

WIRING SCHEMATIC (200-230V THREE PHASE) M SERIES (AFTER SERIAL #20107354)

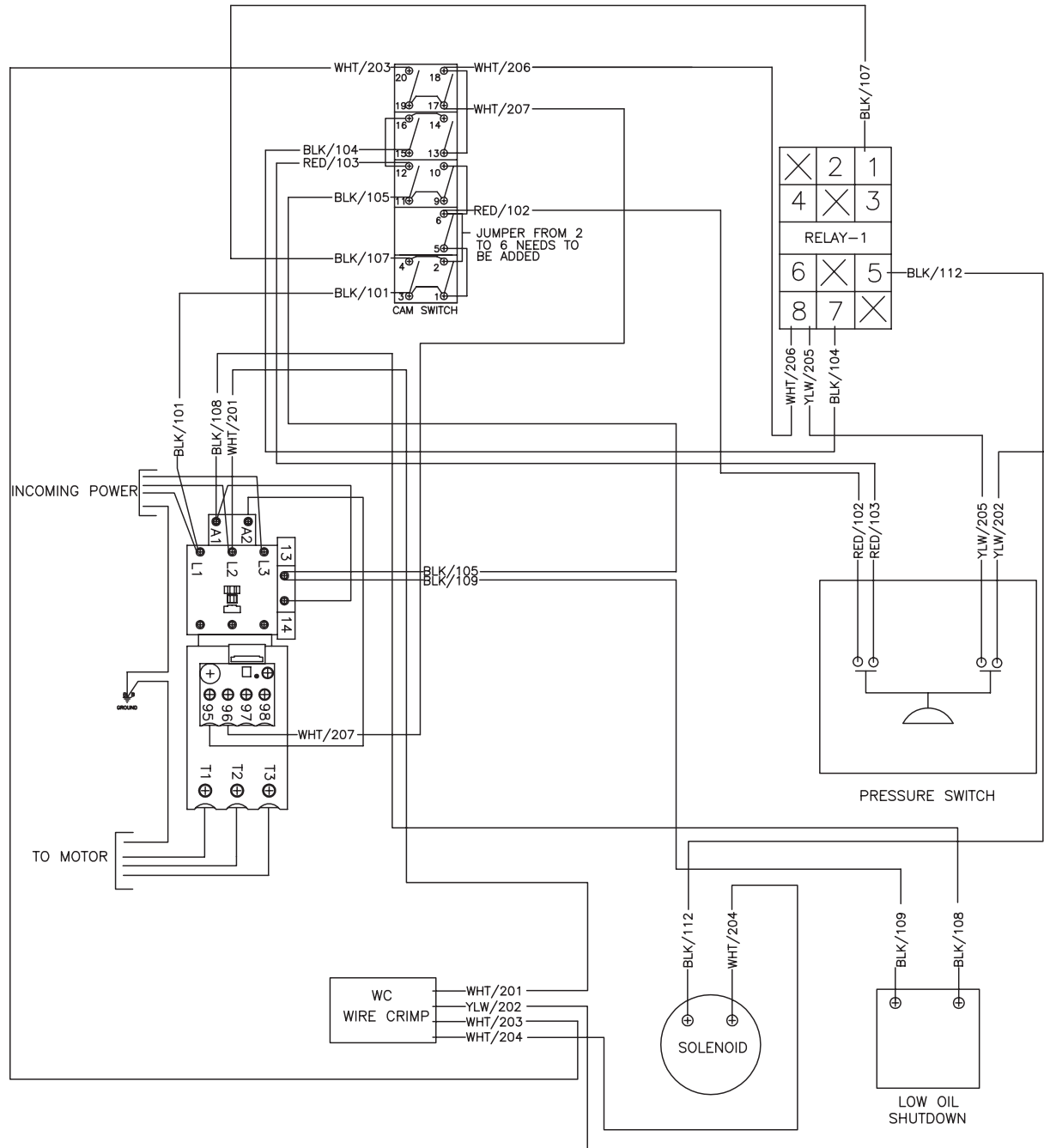


NOTES:
 1) ALL WIRES ARE 16GA UNLESS OTHERWISE SPECIFIED



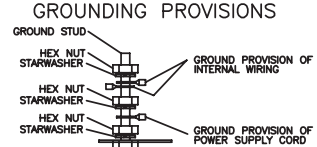
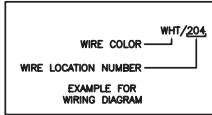
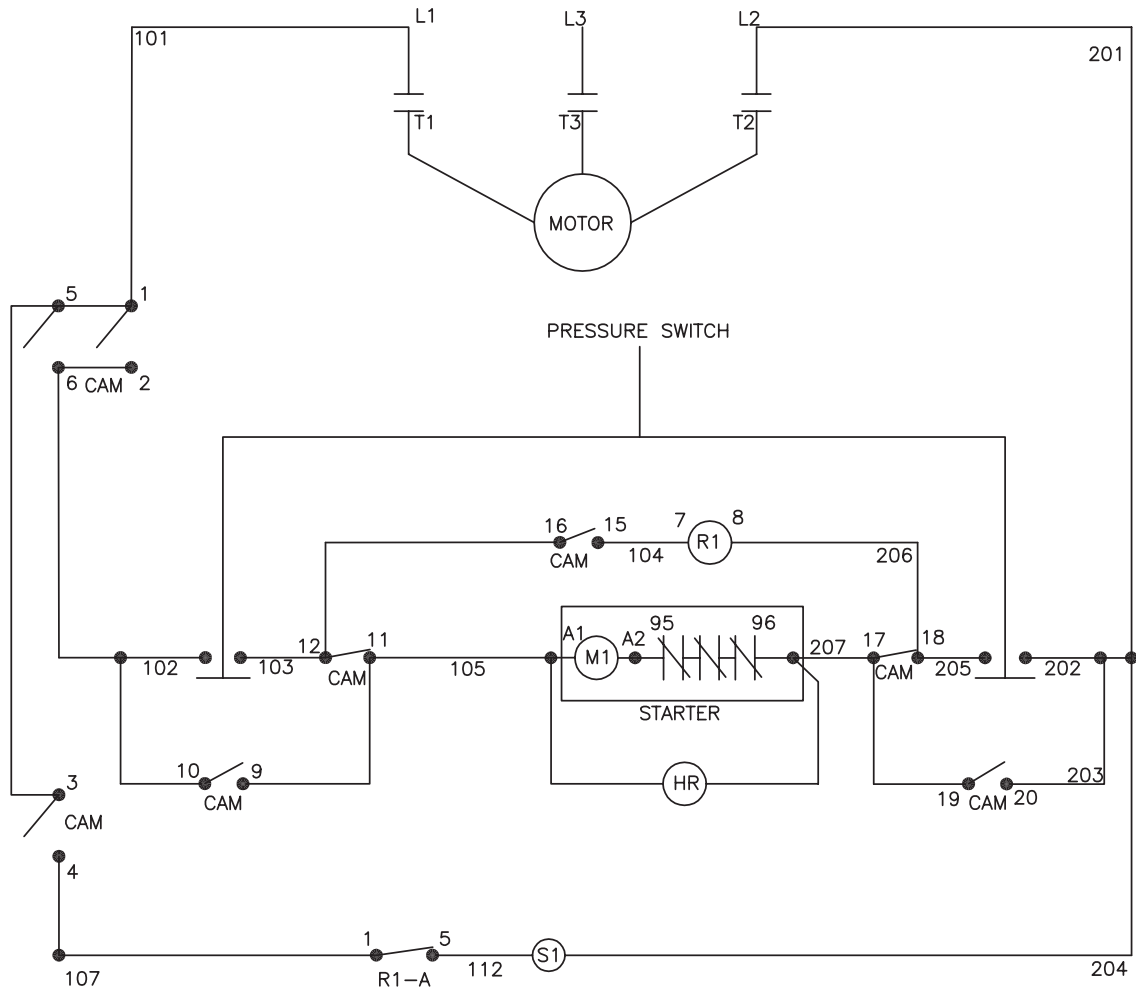
WIRING SCHEMATIC INDUSTRIAL M SERIES 200-230V THREE PHASE 100509

WIRING DIAGRAM (200-230V THREE PHASE) M SERIES (AFTER SERIAL #20107354)



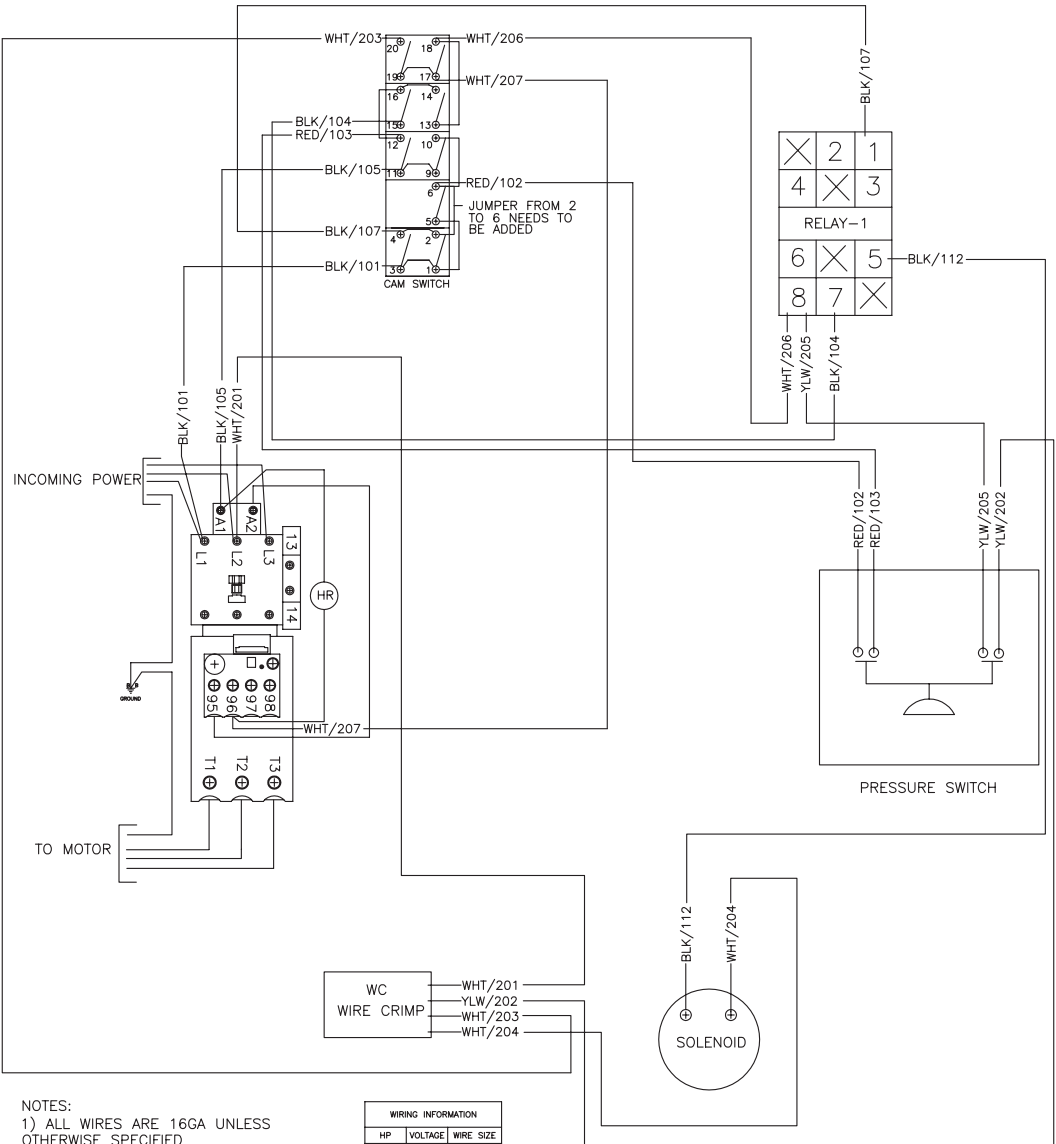
WIRING DIAGRAM INDUSTRIAL M SERIES 200-230V THREE PHASE 100509

WIRING SCHEMATIC DUAL CONTROL AND STARTER (200-230V THREE PHASE) (AFTER SERIAL #20107354)



WIRING SCHEMATIC DUAL CONTROL AND STARTER 200-230V THREE PHASE 050411

WIRING DIAGRAM DUAL CONTROL AND STARTER (200-230V SINGLE PHASE) (AFTER SERIAL #20107354)

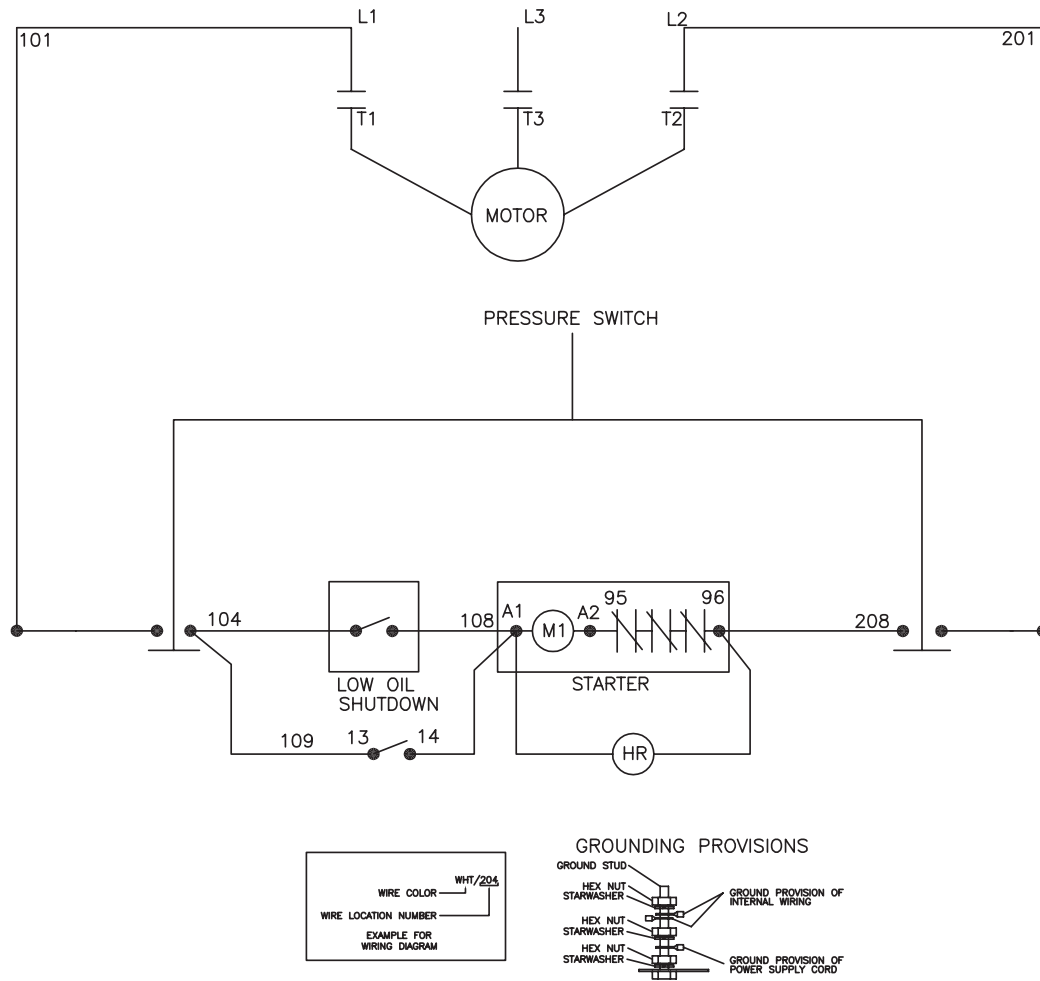


NOTES:
 1) ALL WIRES ARE 16GA UNLESS OTHERWISE SPECIFIED

WIRING INFORMATION		
HP	VOLTAGE	WIRE SIZE
5	200	12
	230	14
7.5	200	10
	230	12
10	200	8
	230	10
15	200	8
	230	8
20	200	6
	230	6
25	200	4
	230	6
30	200	4
	230	4

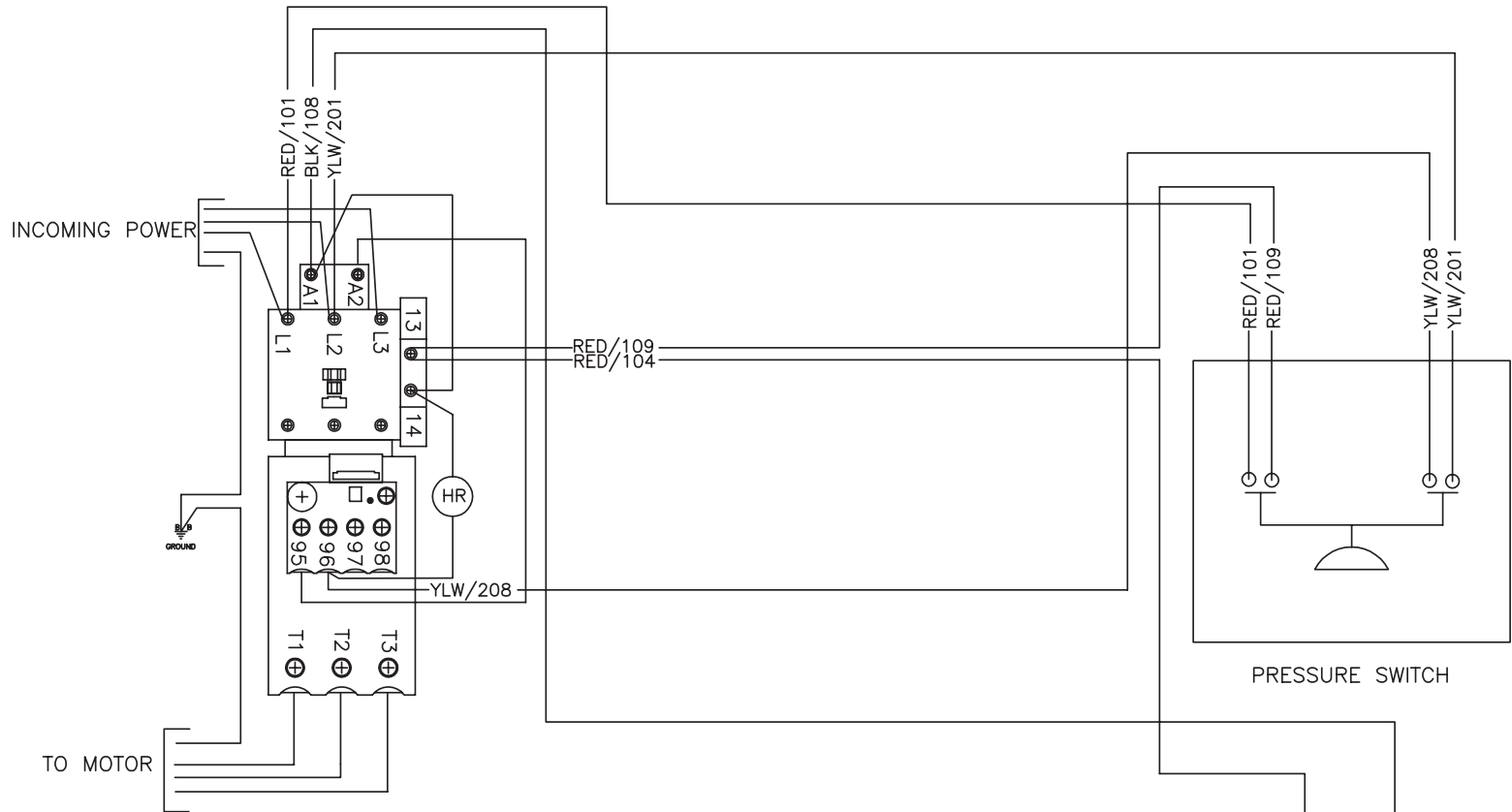
WIRING DIAGRAM DUAL CONTROL AND STARTER 200-230V THREE PHASE 050411

WIRING SCHEMATIC LOW OIL SHUTDOWN AND STARTER (200-230V THREE PHASE)



WIRING SCHEMATIC LOW OIL SHUTDOWN AND STARTER 200-230V THREE PHASE 050411

WIRING DIAGRAM LOW OIL SHUTDOWN AND STARTER (200-230V THREE PHASE)

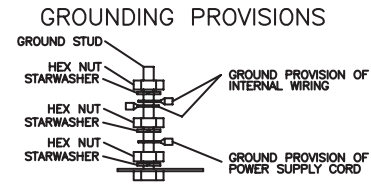
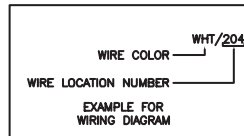
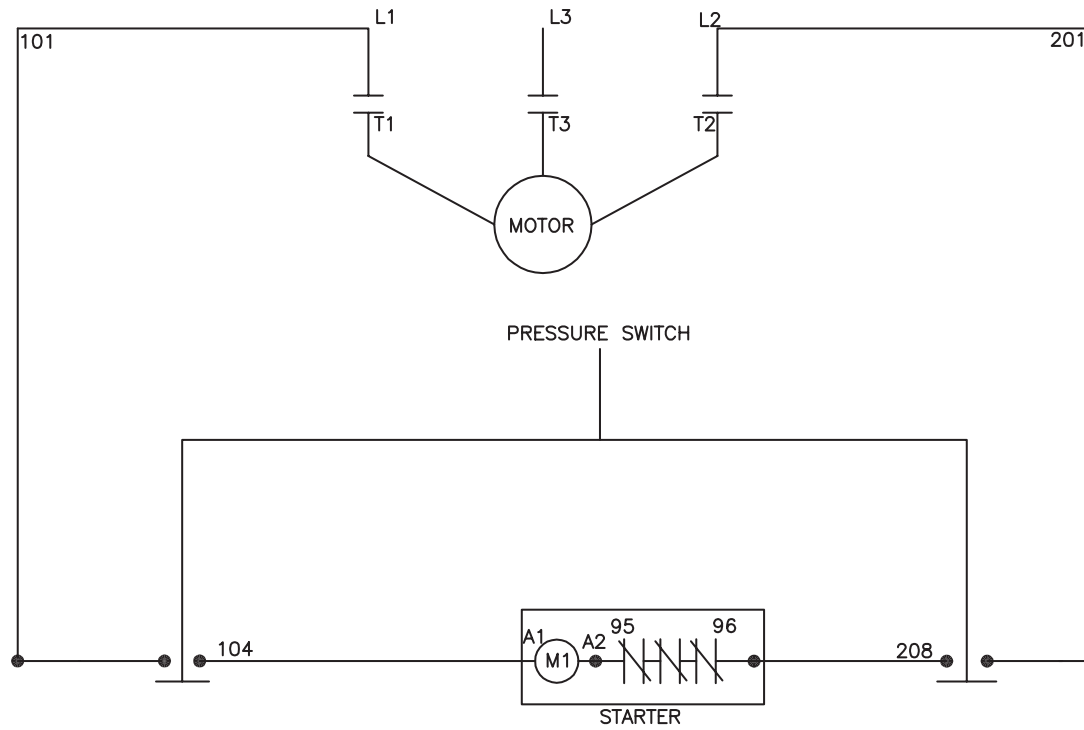


NOTES:
 1) ALL WIRES ARE 16GA UNLESS OTHERWISE SPECIFIED

WIRING INFORMATION		
HP	VOLTAGE	WIRE SIZE
5	200	12
	230	14
7.5	200	10
	230	12
10	200	8
	230	10
15	200	8
	230	8
20	200	6
	230	6
25	200	4
	230	6
30	200	4
	230	4

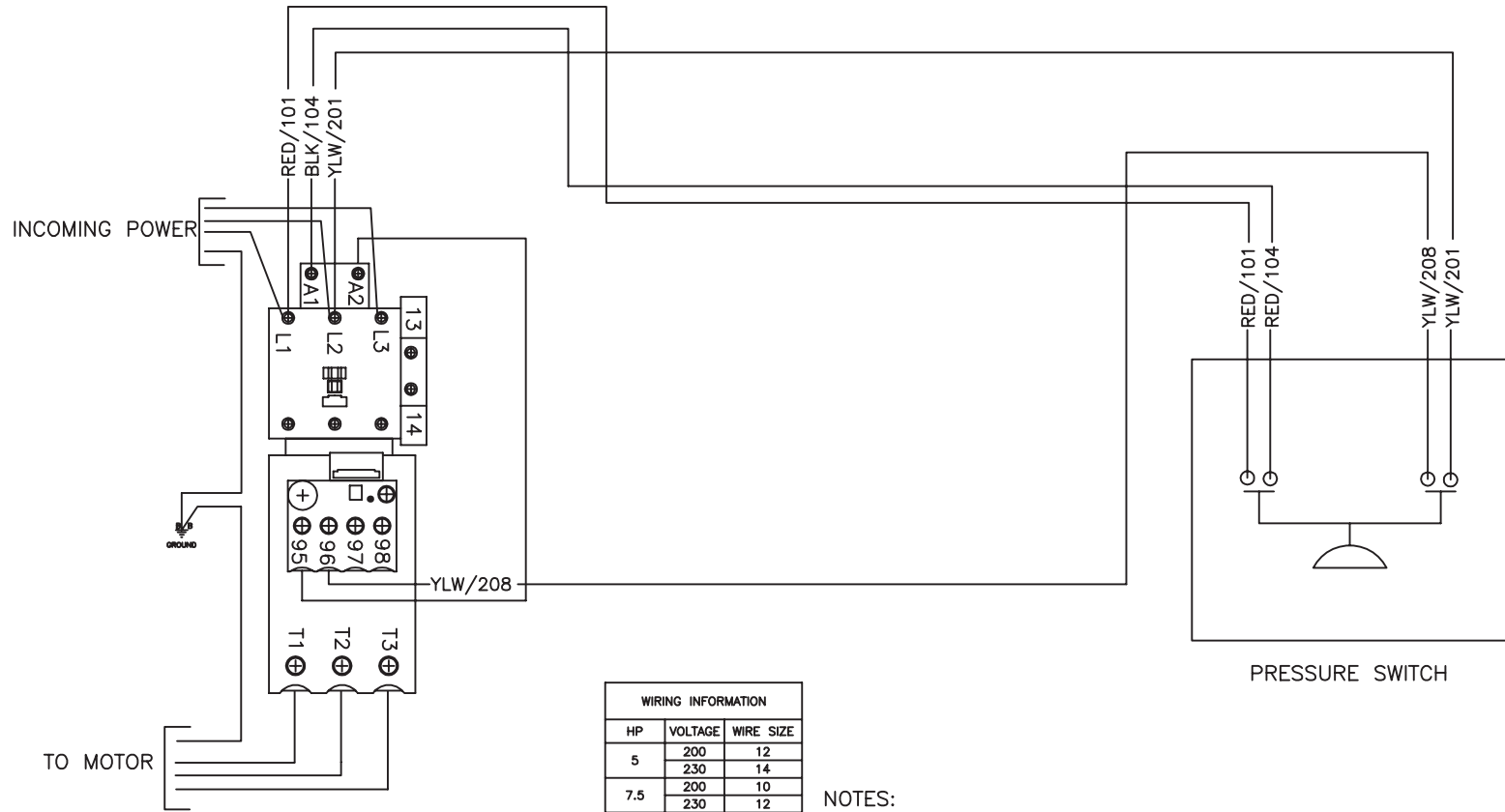
WIRING DIAGRAM LOW OIL SHUTDOWN AND STARTER 200-230V THREE PHASE 050411

WIRING SCHEMATIC STARTER (200-230V THREE PHASE)



WIRING SCHEMATIC STARTER 200-230V THREE PHASE 050411

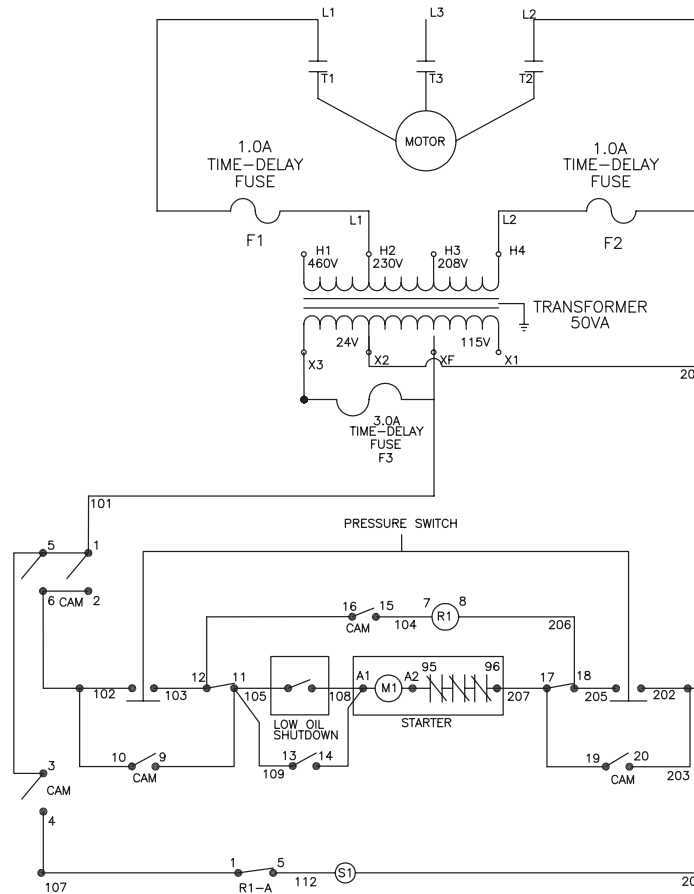
WIRING DIAGRAM STARTER (200-230V THREE PHASE)



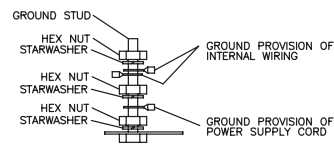
WIRING INFORMATION		
HP	VOLTAGE	WIRE SIZE
5	200	12
	230	14
7.5	200	10
	230	12
10	200	8
	230	10
15	200	8
	230	8
20	200	6
	230	6
25	200	4
	230	6
30	200	4
	230	4

NOTES:
1) ALL WIRES ARE 16GA UNLESS OTHERWISE SPECIFIED

WIRING SCHEMATIC (460V THREE PHASE) M SERIES (AFTER SERIAL #20107354)

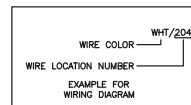


GROUNDING PROVISIONS



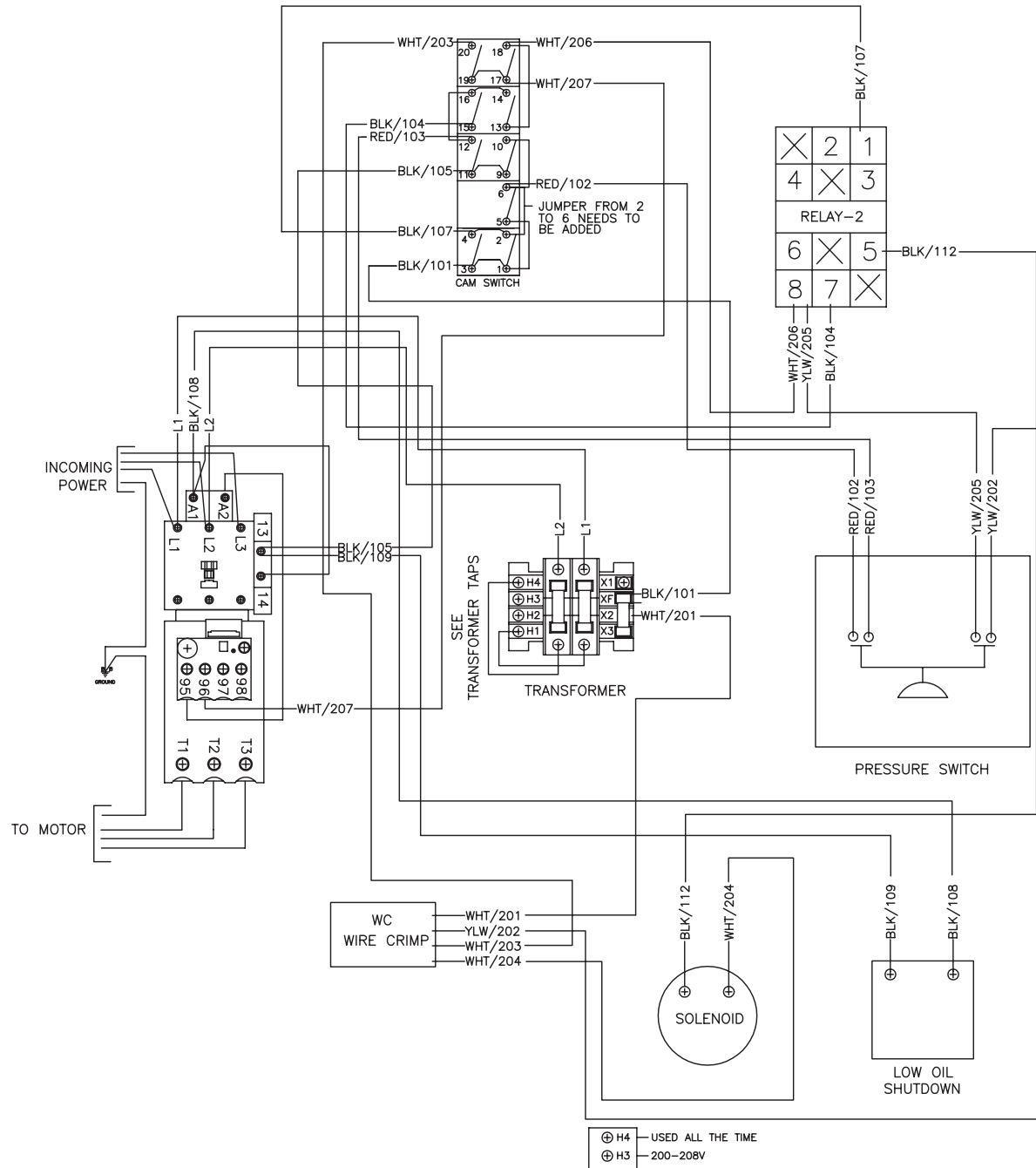
NOTES

- 1) ALL WIRES ARE 16GA UNLESS OTHERWISE SPECIFIED



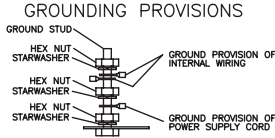
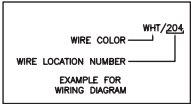
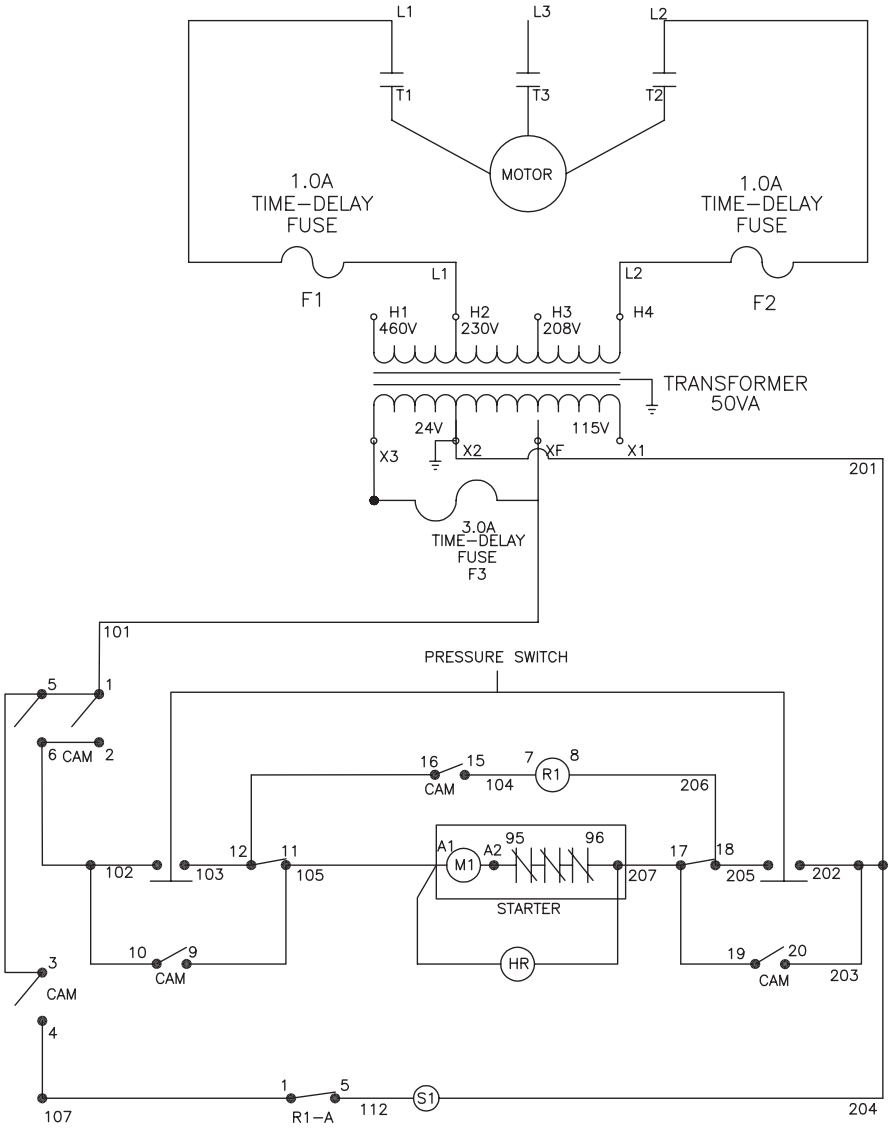
WIRING SCHEMATIC INDUSTRIAL M SERIES 460V THREE PHASE 100509

WIRING DIAGRAM (460V THREE PHASE) M SERIES (AFTER SERIAL #20107354)



WIRING DIAGRAM INDUSTRIAL M SERIES 460V THREE PHASE 100509

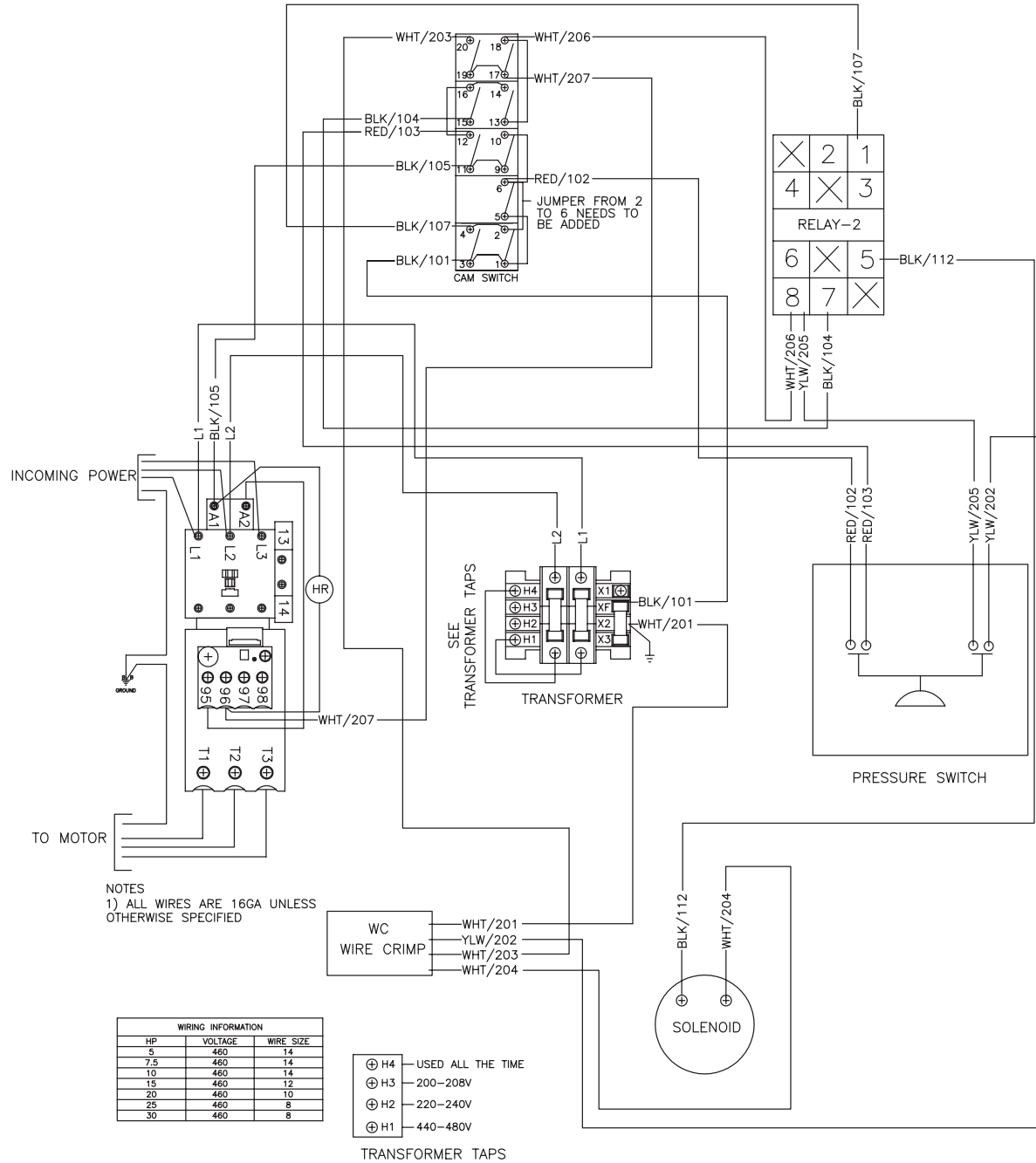
WIRING SCHEMATIC DUAL CONTROL AND STARTER (460V THREE PHASE) (AFTER SERIAL #20107354)



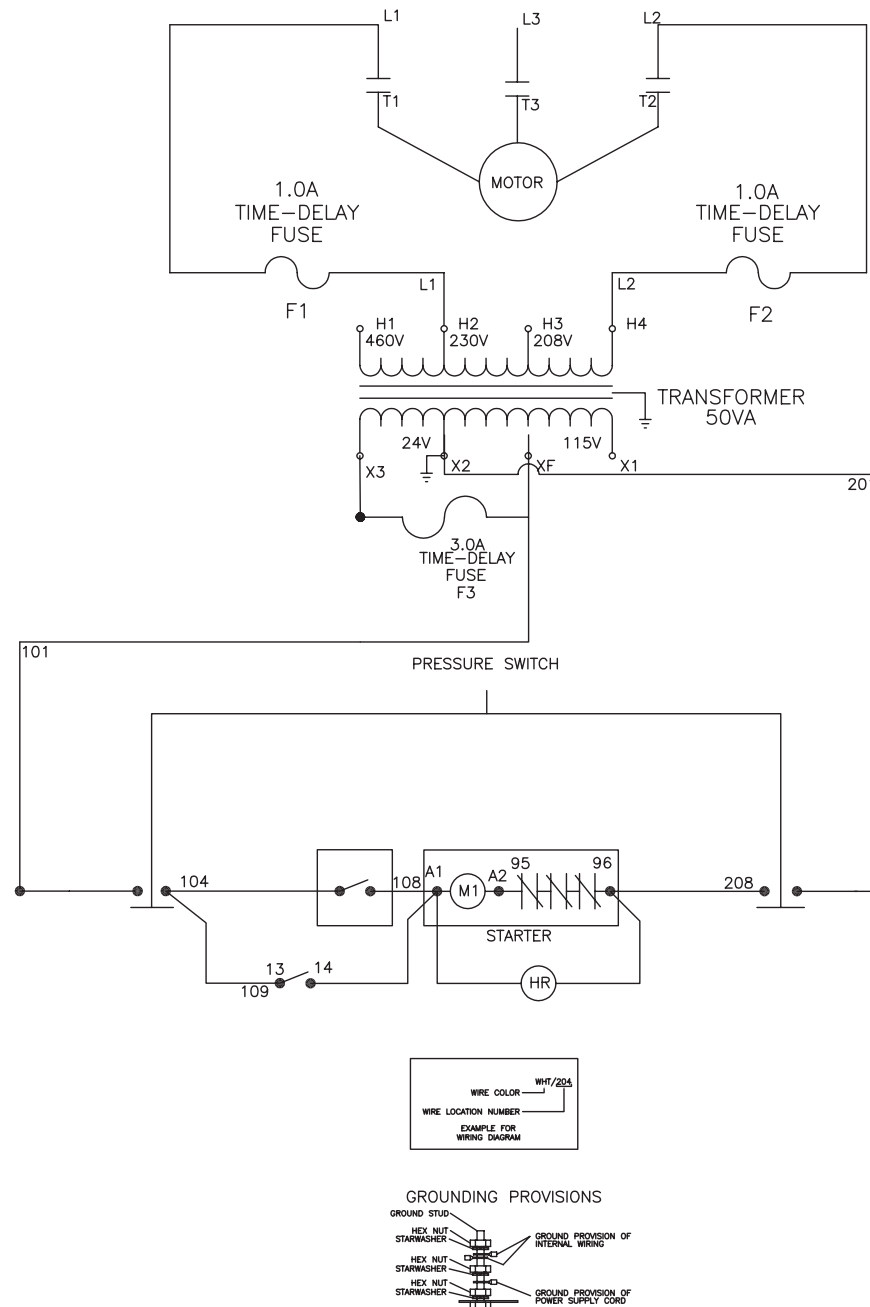
WIRING SCHEMATIC DUAL CONTROL AND STARTER OPTION 460V THREE PHASE 050411

WIRING DIAGRAM DUAL CONTROL AND STARTER (460V THREE PHASE) (AFTER SERIAL #20107354)

WIRING DIAGRAM DUAL CONTROL AND STARTER 460V THREE PHASE 050411

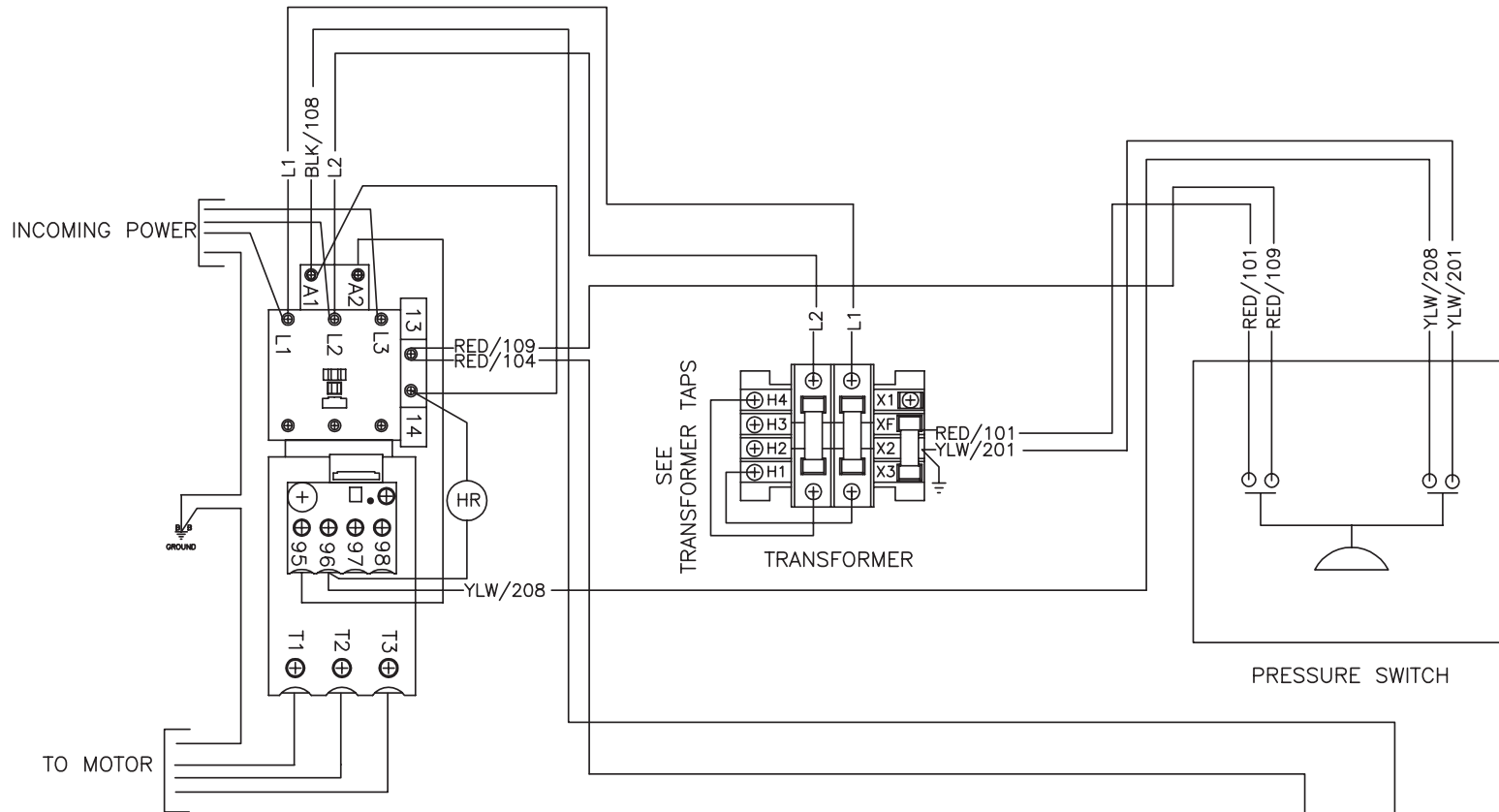


WIRING SCHEMATIC LOW OIL SHUTDOWN AND STARTER (460V THREE PHASE)



WIRING SCHEMATIC LOW OIL SHUTDOWN AND STARTER 460V THREE PHASE 050411

WIRING DIAGRAM LOW OIL SHUTDOWN AND STARTER (460V THREE PHASE)

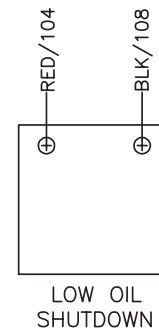


NOTES
 1) ALL WIRES ARE 16GA UNLESS OTHERWISE SPECIFIED

- ⊕ H4 — USED ALL THE TIME
- ⊕ H3 — 200–208V
- ⊕ H2 — 220–240V
- ⊕ H1 — 440–480V

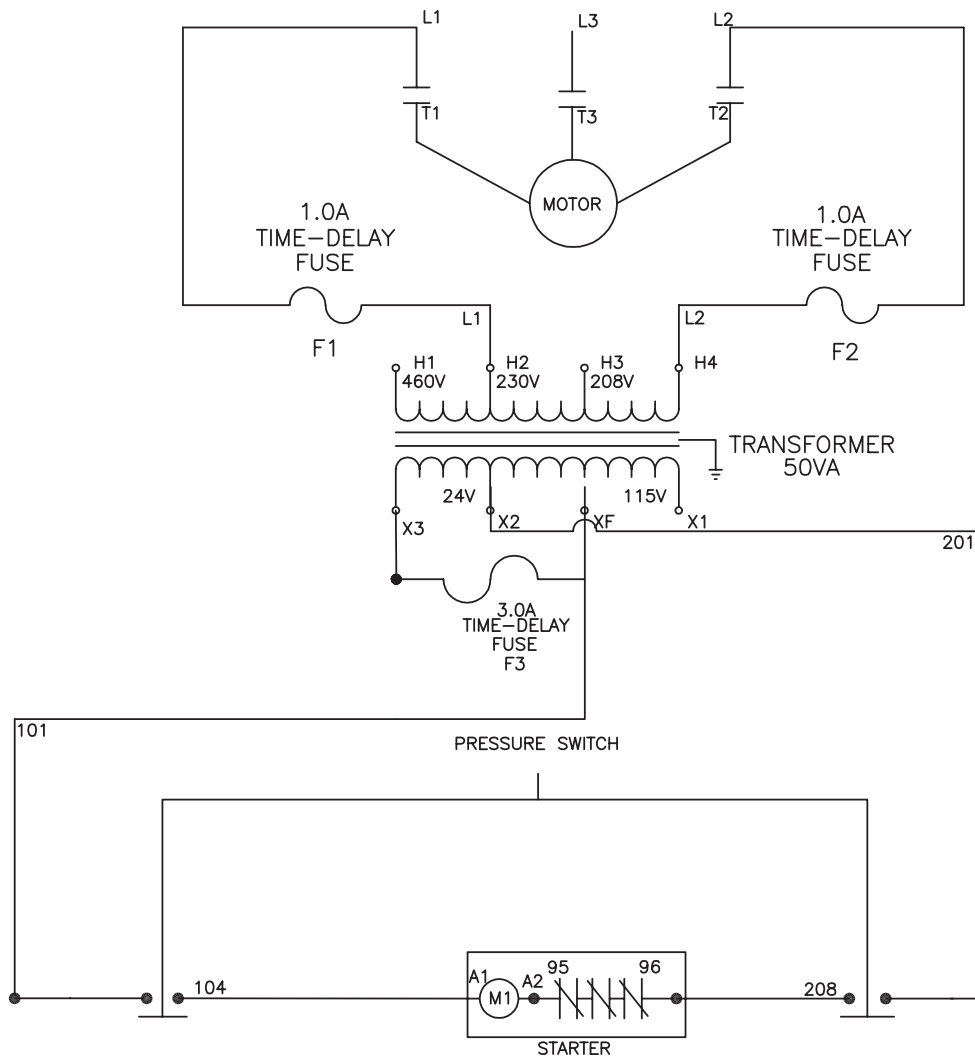
TRANSFORMER TAPS

WIRING INFORMATION		
HP	VOLTAGE	WIRE SIZE
5	460	14
7.5	460	14
10	460	14
15	460	12
20	460	10
25	460	8
30	460	8

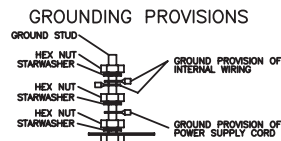
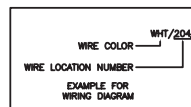


WIRING DIAGRAM LOW OIL SHUTDOWN AND STARTER 460V THREE PHASE 050411

WIRING SCHEMATIC STARTER (460V THREE PHASE)

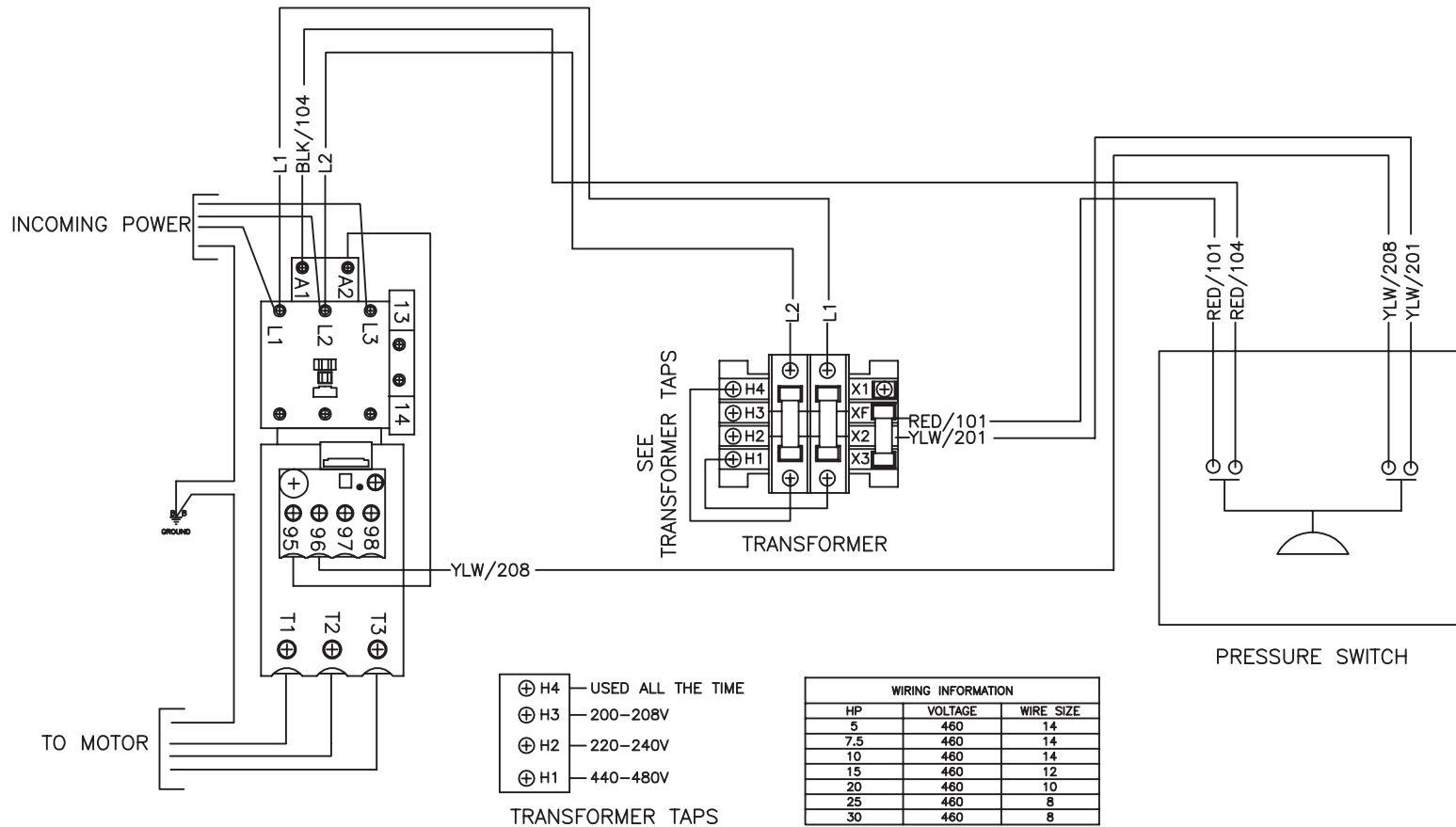


NOTES
 1) ALL WIRES ARE 16GA UNLESS OTHERWISE SPECIFIED



WIRING SCHEMATIC STARTER 460V THREE PHASE 050411

WIRING DIAGRAM STARTER (460V THREE PHASE)



WIRING DIAGRAM STARTER 460V THREE PHASE 050411

Manufactured by Mi-T-M
50 Mi-T-M Drive, Peosta IA 52068
563-556-7484/ Fax 563-556-1235