

PARTS LIST FOR
HEG HIGH VOLUME SERIES
HOT WATER PRESSURE WASHERS

PUMP OIL GRADE:	SAE20 or 30 Non-Detergent
PUMP OIL CAPACITY:	31oz.
BTU INPUT:	
HEG-3008	
NATURAL GAS:	650,000
L.P.-GAS:	619,500 (Vapor Only)
HEG-2010	
NATURAL GAS:	768,000
L.P.-GAS:	730,000 (Vapor Only)
PRESSURE NOZZLE:	
HEG-3008:	9.0
HEG-2010:	15.0

This Parts Listing has been compiled for your benefit. You can be assured your hot water pressure washer was constructed and designed with quality and performance in mind. Each component has been rigorously tested to insure the highest level of acceptance.

The contents of this Parts Listing are based on the latest product information available at the time of publication. The manufacturer reserves the right to make changes in price, color, materials, equipment, specifications or models at any time without notice.

WARNING

THIS IS A PROFESSIONAL HIGH PRESSURE, HOT WATER PRESSURE WASHER. CAUTION SHOULD BE OBSERVED WHEN INSTALLING, USING OR REPAIRING THIS UNIT! READ AND FOLLOW THE SAFETY WARNINGS BEFORE ATTEMPTING ANY REPAIRS ON THIS PRESSURE WASHER!

SAFETY WARNINGS

1. NEVER alter or modify the equipment. Use only genuine manufacturer parts for repair of your pressure washer. Failure to do so can cause hazardous operating conditions and will VOID warranty. Repairs performed on this pressure washer should be done by a qualified serviceman in accordance with local, state and national regulations.
2. This unit has multiple safety devices which should never be altered, modified, removed or made inoperable. If a device fails, replace immediately with only genuine manufacturer replacement parts.
3. Gas System:
Do not operate unit if gas smell exists. If you smell gas at any time, immediately shut off the gas supply to the unit and extinguish any open flame. L.P. gas is heavier than air and will gravitate to the floor. Do not resume operation until unit has been repaired and inspected by a qualified serviceperson.
4. Electrical System:
The unit must be connected to a properly grounded electrical source which provides the correct voltage and adequate fuse protection. Disconnect from power source when making repairs. Never assume the pressure washer is safe to work on just because it is not operating. It could restart at any time.
Never operate pressure washer with electrical enclosures open, removed or damaged. Do not allow metal components of the pressure washer to come in contact with live electrical components.
5. Do not operate the unit without all protective covers in place. Before servicing the unit, always shut off the unit and trigger the gun to release trapped pressure. Know how to stop the pressure washer and bleed pressures quickly. Be thoroughly familiar with controls. Be sure any accessory items and system components being used will withstand the pressure developed.

Table of Contents

SPECIFICATIONS FOR HEG-2010	6
SPECIFICATIONS FOR HEG-3008	7
FLOW CHART	8
GENERAL THEORY OF OPERATION	9
BOXING	10
DECAL PLACEMENT	12
FRAME ASSEMBLY	14
HEG 3008_2010 PUMP FRAME ASSY	16
HEG 3008_2010 ISO PLATE ASSY	18
HEG 3008 COIL FRAME ASSEMBLY	20
HEG 2010 COIL FRAME ASSEMBLY	22
ELECTRIC BOX ASSY	24
FLOAT TANK ASSY	26
PUMP	28
UNLOADER (8-0032).....	30
DETERGENT SOLENOID.....	32
GUN ASSEMBLY	34
DUAL LANCE ASSEMBLY	36
GUN/HOSE/WAND ASSY	38
PRESSURE SWITCH.....	40

Table of Contents

REMOTE BOX WIRING	61
WIRE DIAGRAM	42
WIRING SCHEMATIC	43
OPTION LISTINGS	44
AUTO START STOP/REMOTE ELECTRIC BOX (HX-0181_HX-0182)	46
AUTO START STOP REMOTE UNLOADER ASSEMBLY (HX-0181)	48
REMOTES JUNCTION BOX (HX-0182)	49
DUAL GUNS/MODULATING THERMOSTAT OPTION- HEG-3008.....	50
DUAL GUNS/MODULATING THERMOSTAT OPTION HEG-2010	52
HOSE/GUN/WAND ASSEMBLY	54
S.S. PANELS (HX 0187)	56
SS WRAP (HX-0188)	57
SS PANELS (HX-0193).....	58
SS WRAP (HX-0194)	59
REMOTE BOX ASSY	60
WIRING SCHEMATIC WITH AUTO START STOP AND REMOTES	62
WIRE DIAGRAM WITH AUTO START STOP AND REMOTES	63
WIRE DIAGRAM WITH AUTO START STOP	64
WIRE SCHEMATIC WITH AUTO START STOP	65
WIRE DIAGRAM WITH REMOTES	66
WIRE SCHEMATIC WITH REMOTES	67

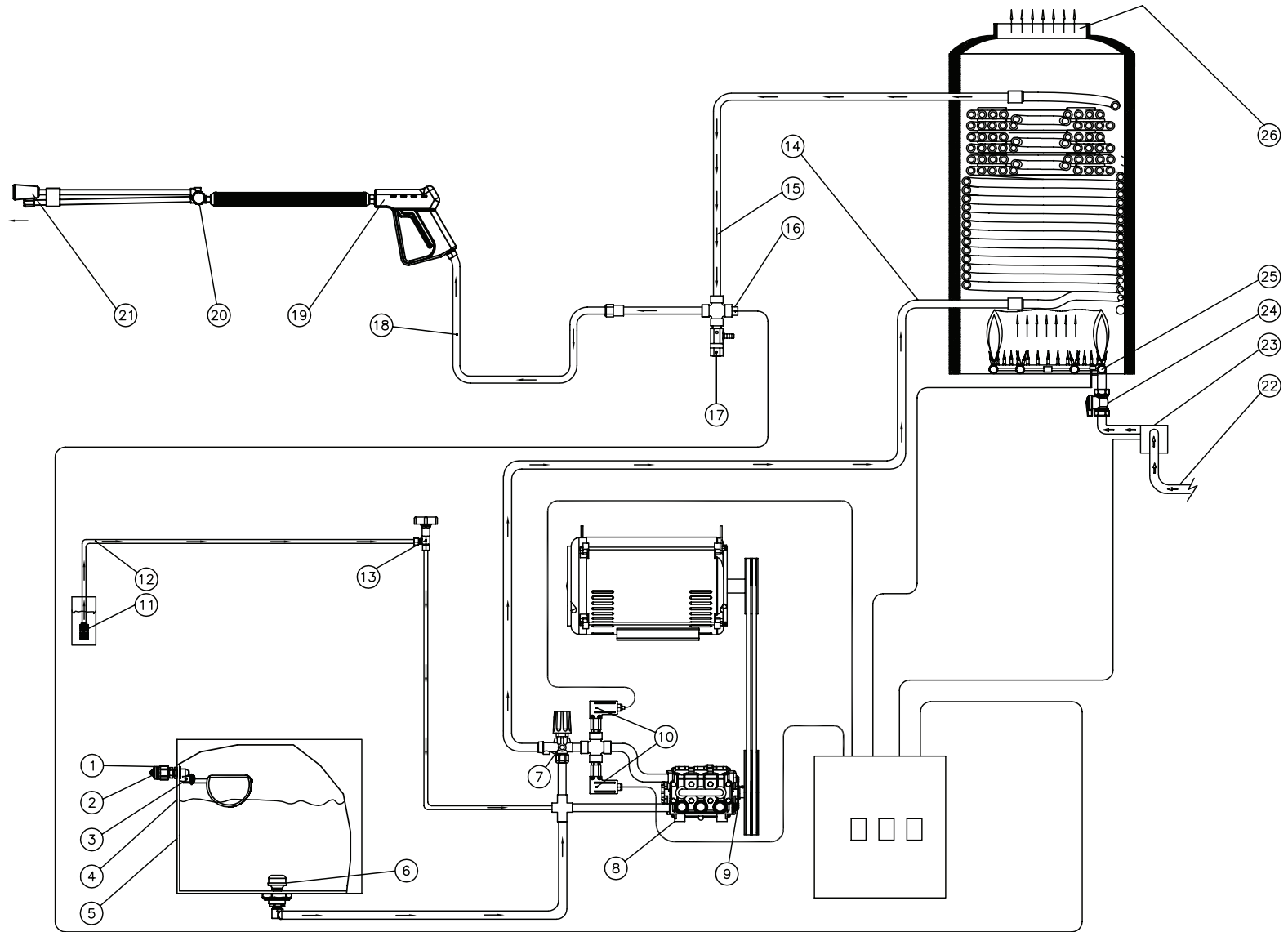
SPECIFICATIONS FOR HEG-2010

MODEL NUMBER	HEG-2010-0E3G	HEG-2010-0E4G	HEG-2010-0E5G	HEG-210-0E9G
Operating Pressure (PSI/Bar):	2000/137.9			
Water Volume (GPM/lpm):	9.9/37.5			
Motor:	ODP			
Horsepower	15			
Phase	3			
Voltage	230	460	575	208
Amperage	39.0	19.2	15.4	42.5
Service Factor	1.15			
Pump:	Belt Driven, Oil Bath, Triplex Piston			
Oil Type	SAE20 or 30 Non-Detergent			
Oil Capacity (oz./liters)	31/0.9			
Plungers	Ceramic			
Manifold	Forged Brass			
Valves	Stainless Steel			
Unloader:	Pre-set at the factory			
Heat Dump Valve:	Relieves heated water during unloader bypass stage			
Burner	Natural Draft-Aspirating			
Fuel Type	Natural Gas			
Maximum Supply Pressure (W.C.)	13.0			
Manifold Pressure (W.C.)	4.0			
Fuel Orifice Size	#52			
Fuel Type	L.P.-Gas (Vapor Only)			
Maximum Supply Pressure (W.C.)	13.0			
Manifold Pressure (W.C.)	9.5			
Fuel Orifice Size	#62			
Heat Exchanger:				
Natural Gas BTU Input	768,000			
L.P. BTU Input	730,000			
Electric Controls:				
Burner Controls	Rocker Switch			
Control Voltage	24 Volt AC			
Safety Devices:				
Pressure Switch	Shuts Off Burner Fuel Supply Upon Trigger Release			
Thermostat	Adjustable			
Relief Valve	Relieves Excessive System Pressure			
High Pressure Nozzle Size:	15.0			
Unit Net Weight (Lbs/kg):	1,403/637.7			
Unit Shipping Weight (Lbs/kg):	1,553/705.9			
Unit Net Dimension (In/cm):	78.5L x 34.75W x 65.75H/177.8L x 88.3W x 138.4H			
Unit Shipping Dimension (In/cm):	80.5L x 37.5W x 74H/204.5L x 95.5W x 188H			

SPECIFICATIONS FOR HEG-3008

MODEL NUMBER	HEG-3008-0E3G	HEG-3008-0E4G	HEG-3008-0E5G	HEG-3008-0E9G
Operating Pressure (PSI/Bar):	3000/206.8			
Water Volume (GPM/lpm):	7.8/29.6			
Motor:	ODP			
Horsepower	15			
Phase	3			
Voltage	230	460	575	208
Amperage	39.0	19.2	15.4	42.5
Service Factor	1.15			
Pump:	Belt Driven, Oil Bath, Triplex Piston			
Oil Type	SAE20 or 30 Non-Detergent			
Oil Capacity (oz./liters)	31.0/0.9			
Plungers	Ceramic			
Manifold	Forged Brass			
Valves	Stainless Steel			
Unloader:	Pre-set at the factory			
Heat Dump Valve:	Relieves heated water during unloader bypass stage			
Burner	Natural Draft-Aspirating			
Fuel Type	Natural Gas			
Maximum Supply Pressure (W.C.)	13.0			
Manifold Pressure (W.C.)	4.0			
Fuel Orifice Size	#52			
Fuel Type	L.P.-Gas (Vapor Only)			
Maximum Supply Pressure (W.C.)	13.0			
Manifold Pressure (W.C.)	9.5			
Fuel Orifice Size	#62			
Heat Exchanger:				
Natural Gas BTU Input	650,000			
L.P. BTU Input	619,500			
Electric Controls:				
Burner Controls	Rocker Switch			
Control Voltage	24 Volt AC			
Safety Devices:				
Pressure Switch	Shuts Off Burner Fuel Supply Upon Trigger Release			
Thermostat	Adjustable			
Relief Valve	Relieves Excessive System Pressure			
High Pressure Nozzle Size:	9.0			
Unit Net Weight (Lbs/kg):	1057/479.5			
Unit Shipping Weight (Lbs/kg):	1207/547.5			
Unit Net Dimension (In/cm):	70L x 34.75W x 54.5H/177.8 x 88.3 x 138.4			
Unit Shipping Dimension (In/cm):	80.5L x 37.5W x 74H/204.5L x 95.5W x 188H			

FLOW CHART



GENERAL THEORY OF OPERATION

WATER FLOW: Connect a pressurized water source to the INLET GARDEN HOSE CONNECTION (1) and turn on the water supply. The water will flow through a WATER STRAINER (2) and then through a FLOAT VALVE (3) into a WATER FLOAT TANK (5). If the water rises above the OVERFLOW HOLES (4), the excess water will drain out of the float tank.

The water is then drawn through the WATER STRAINER (6) and into the TRIPLEX HIGH PRESSURE PUMP (7) which has an UNLOADER (8) that bypasses the water when the trigger gun is closed. To protect the pump from heated water during this bypass stage, a HEAT DUMP VALVE (9) will open at 125°F/52°C allowing the heated water to escape. The Heat Dump Valve automatically resets when the water cools. Attached to the pump are two PRESSURE SWITCHES (10), one controls the fuel supply to the burner and the other controls the timer to shut down the unit after a predetermined time in bypass.

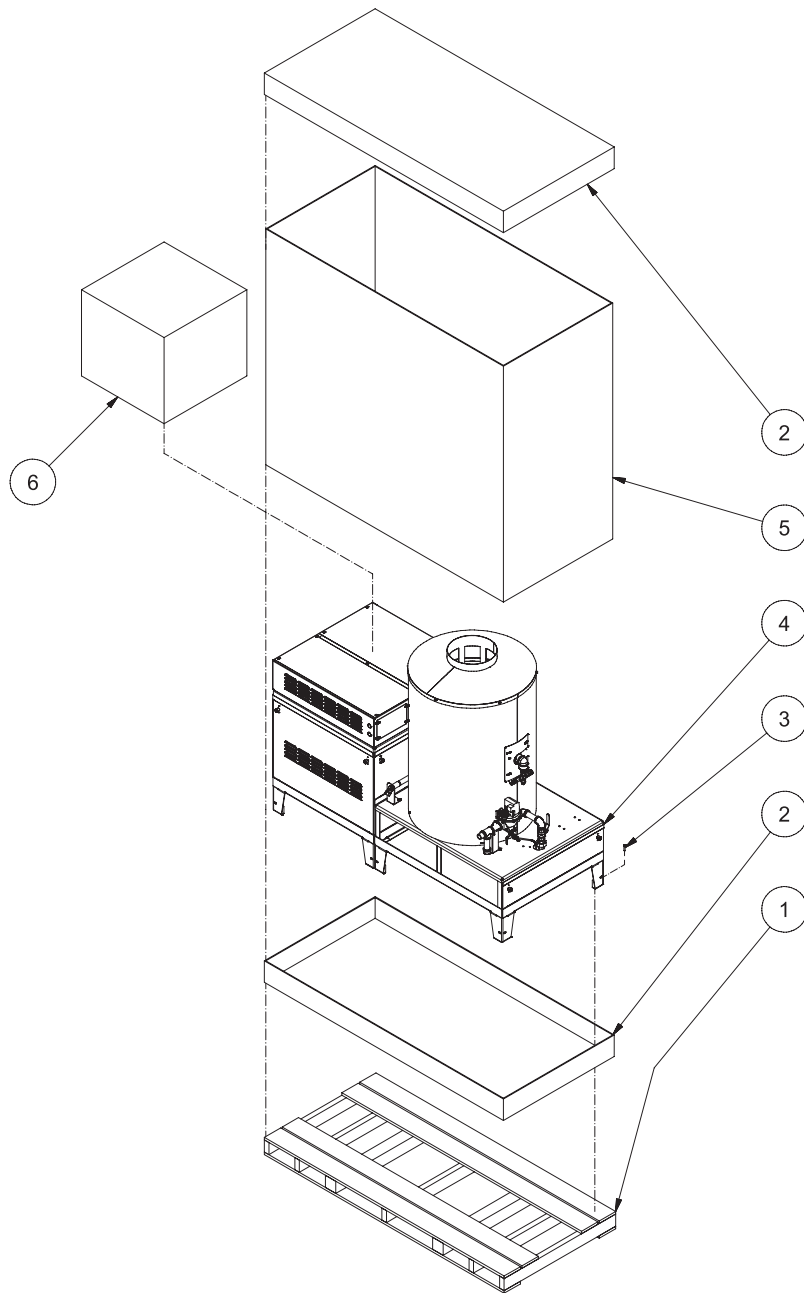
When using detergents, the solution passes through the DETERGENT STRAINER (11) located on the DETERGENT HOSE (12). The detergent solution then travels through the DETERGENT METERING VALVE (13).

From there, the water flows through the HEAT EXCHANGER INLET (14) where it is heated when the burner is on. As the water exits the HEAT EXCHANGER OUTLET (15), it enters a safety system which protects the operator from danger. The safety system contains a THERMOSTAT (16) which senses the water temperature and shuts off the fuel supply to the burner if the water gets too hot. If the unloader fails to bypass water or the burner remains on when the trigger gun is closed, the SAFETY RELIEF VALVE (17) will relieve and allow water to exit safely.

The heated water then flows through the HIGH PRESSURE HOSE (18) and to the TRIGGER GUN ASSEMBLY (19) which allows the operator to control the water supply. When the trigger gun is open, the water flows through the ADJUSTABLE PRESSURE DUAL LANCE (20) and exits the NOZZLES (21).

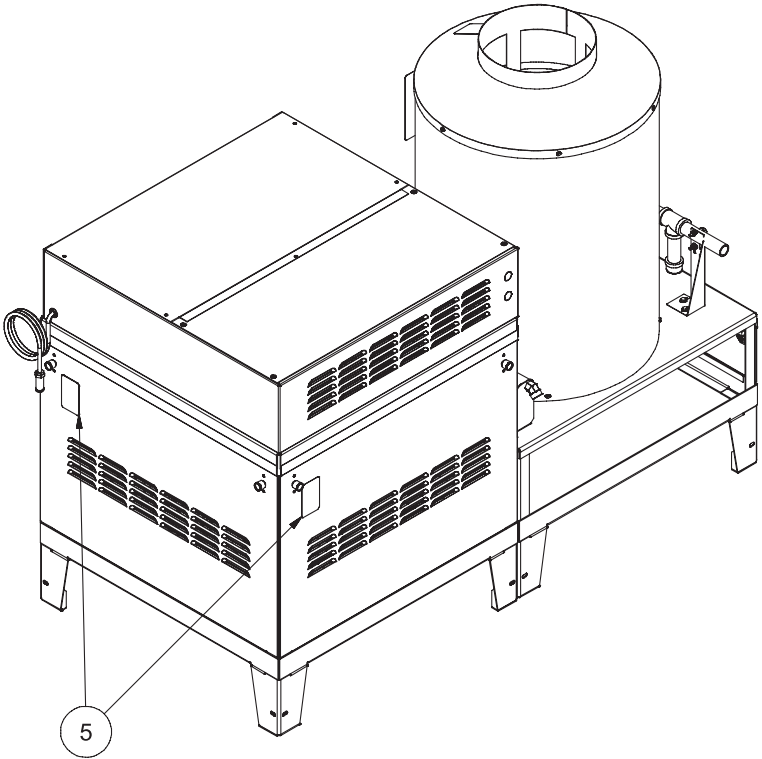
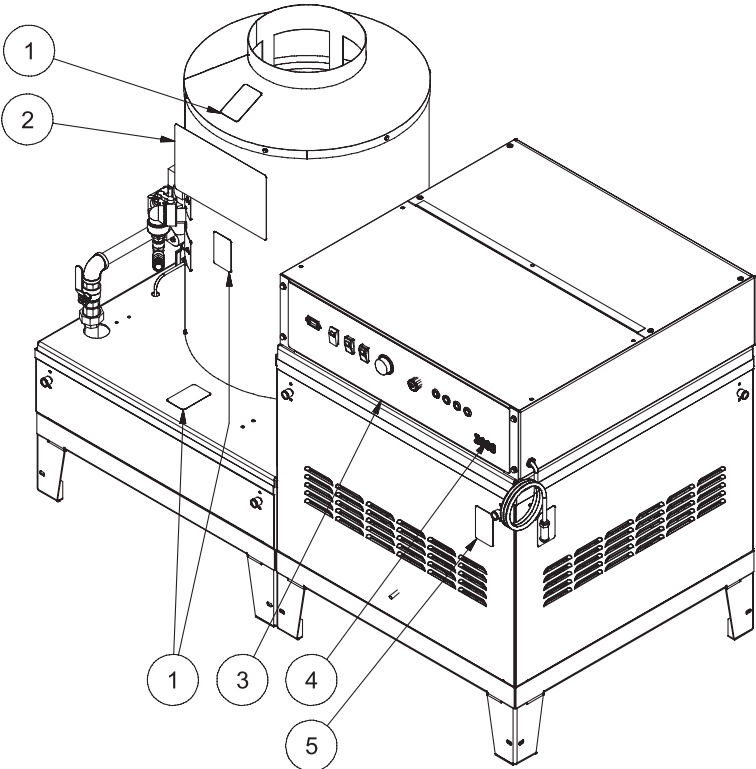
GAS FLOW: The gas passes through the GAS INPUT (22) to the MAIN GAS VALVE (23) which regulates the gas to the appropriate pressure. The gas then flows through the GAS SHUT-OFF VALVE (24) and to the BURNER RING (25). Heat and fumes exit the coil through the EXHAUST STACK (26).

BOXING



BOXING			
REF. #	DESCRIPTION	PART #	QTY.
1	Skid	35-0073	1
2	Boxing Cap	41-0386	2
3	Lag Bolt	27-2276	8
4	HEG-2010 Unit Assy	N/A	1
-	HEG-3008 Unit Assy	N/A	1
5	Boxing HEG	41-0365	1
6	Draft Diverter	50-0186	1
Insert Layer of Foam Padding Between Diverter and Unit, Shrink Wrap Unit Before Boxing			

DECAL PLACEMENT

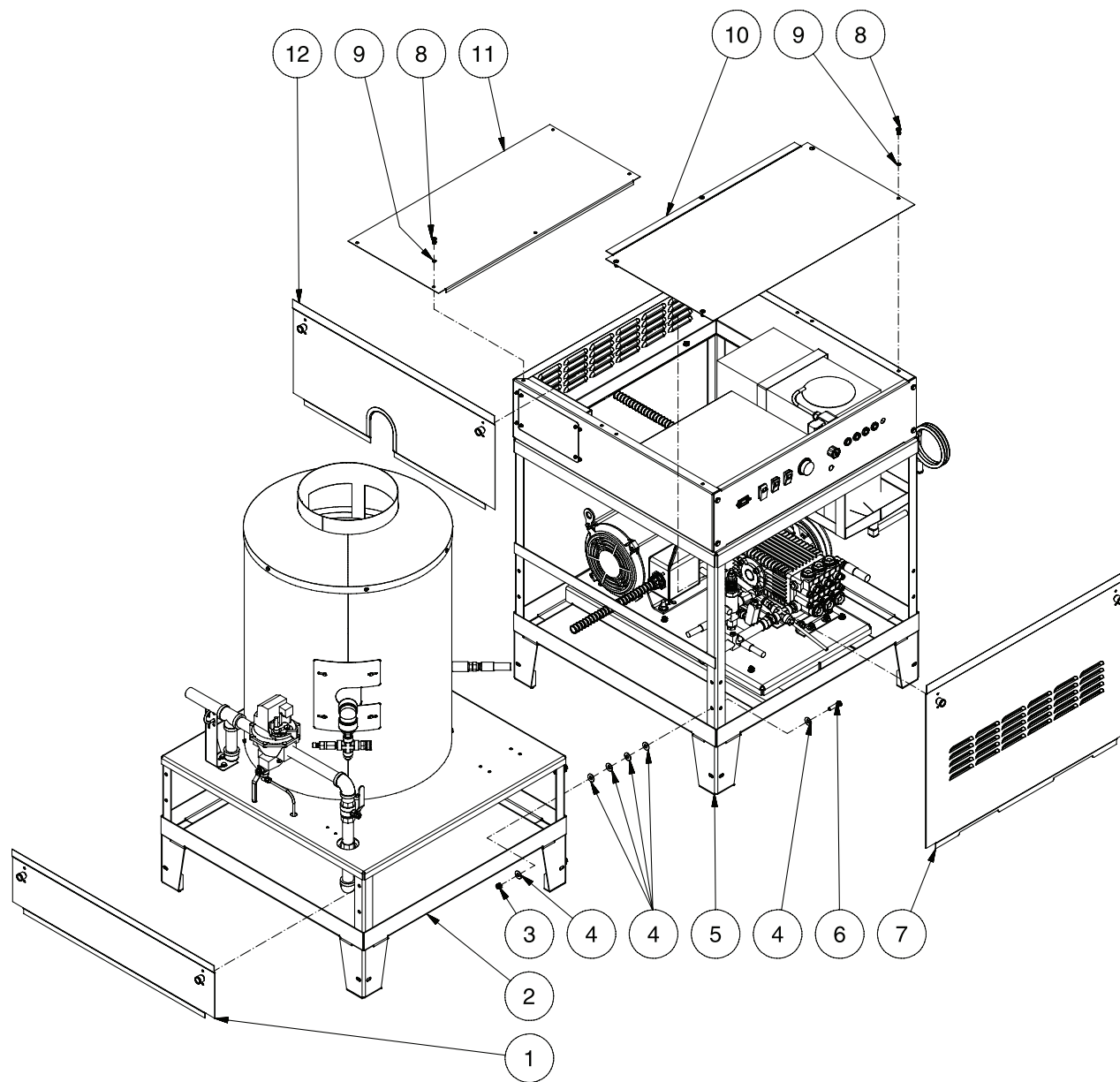


HEG 3008-2010 DECAL PLACEMENT-
062907-CH

HEG 3008_2010 SAFETY DECAL PLACEMENT-062907-CH

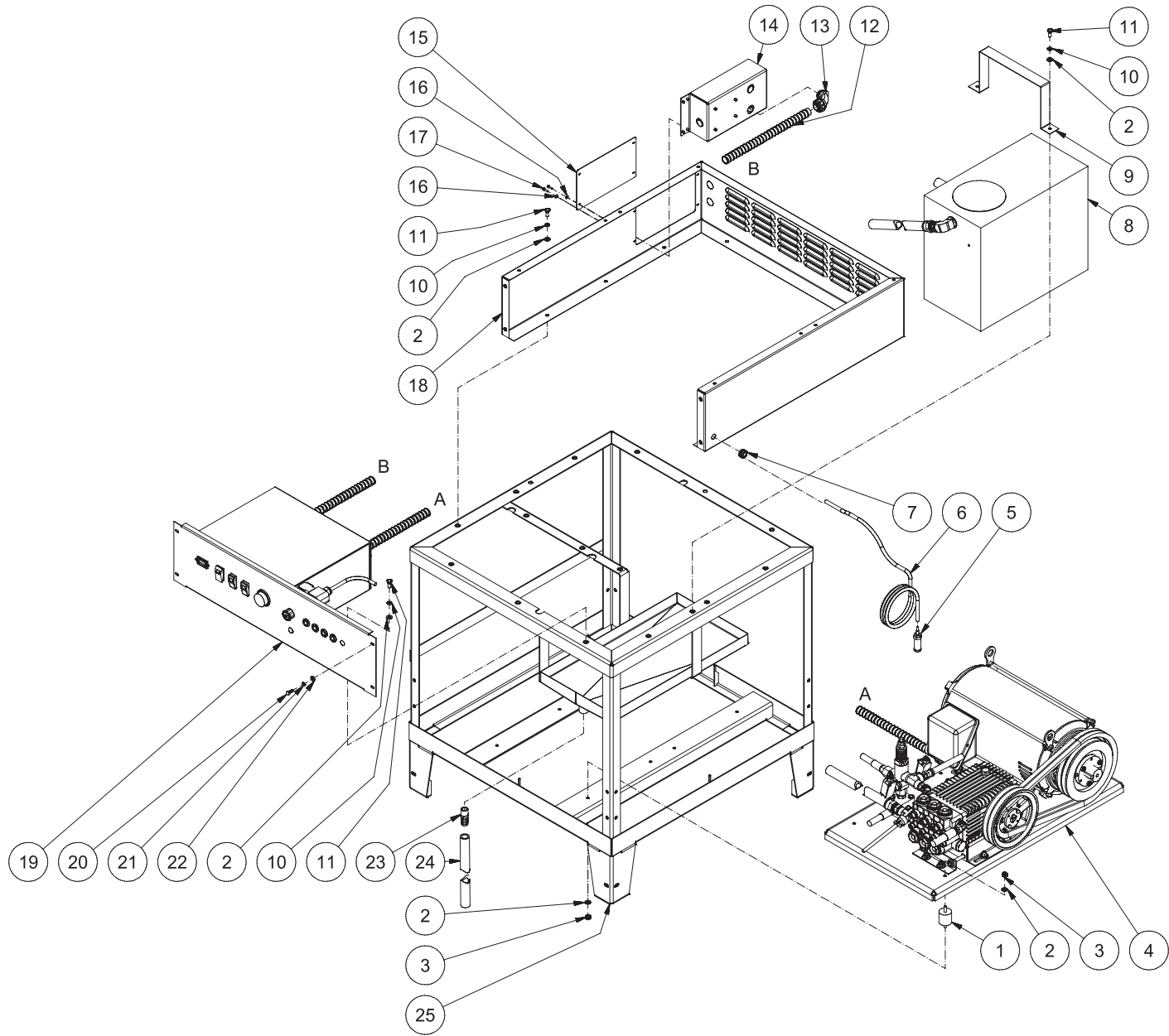
DECAL PLACEMENT			
REF. #	DESCRIPTION	PART #	QTY.
1	Decal- Warning: Hot Surface (E/F/S) (See 34-9021)	N/A Sep.	3
2	Decal- Warning/Caution (E/F/S) (See 34-9021)	N/A Sep.	1
3	Decal- Control Panel (See 34-9021)	N/A Sep.	1
4	Decal- White Die Cut 3004 (HEG-3008)	34-1859	1
-	Decal- White Die Cut 1002 (HEG-2010)	34-0302	1
5	Decal- Warning: Risk of Injury/Exposed Pulleys (E/F/S) (See 34-9021)	N/A Sep.	3
	Safety Decal Kit (Includes 1-3, 5)	34-9021	

FRAME ASSEMBLY



FRAME ASSEMBLY			
REF. #	DESCRIPTION	PART #	QTY.
1	Side Coil Base Panel Assembly (3008)	850-0370	2
-	Side Coil Base Panel Assembly (2010)	850-0370	1
-	Front Coil Base Panel Assembly (2010)	850-0371	1
2	Coil Frame Assy (3008)	N/A Sep.	1
-	Coil Frame Assy (2010)	N/A Sep.	1
3	Locknut	30-0159	6
4	Flatwasher	28-0023	28
5	Pump Frame Assy	N/A Sep.	1
6	Bolt	27-0119	6
7	Belt Cover Assy	850-0368	3
8	Fastener	33-0197	9
9	O-Ring	25-0209	9
10	ISO Plate-Front	20-0926	1
11	ISO Plate-Back	20-0947	1
12	Panel- Pump Frame	850-0369	1
*Must Order in One Foot Lengths			

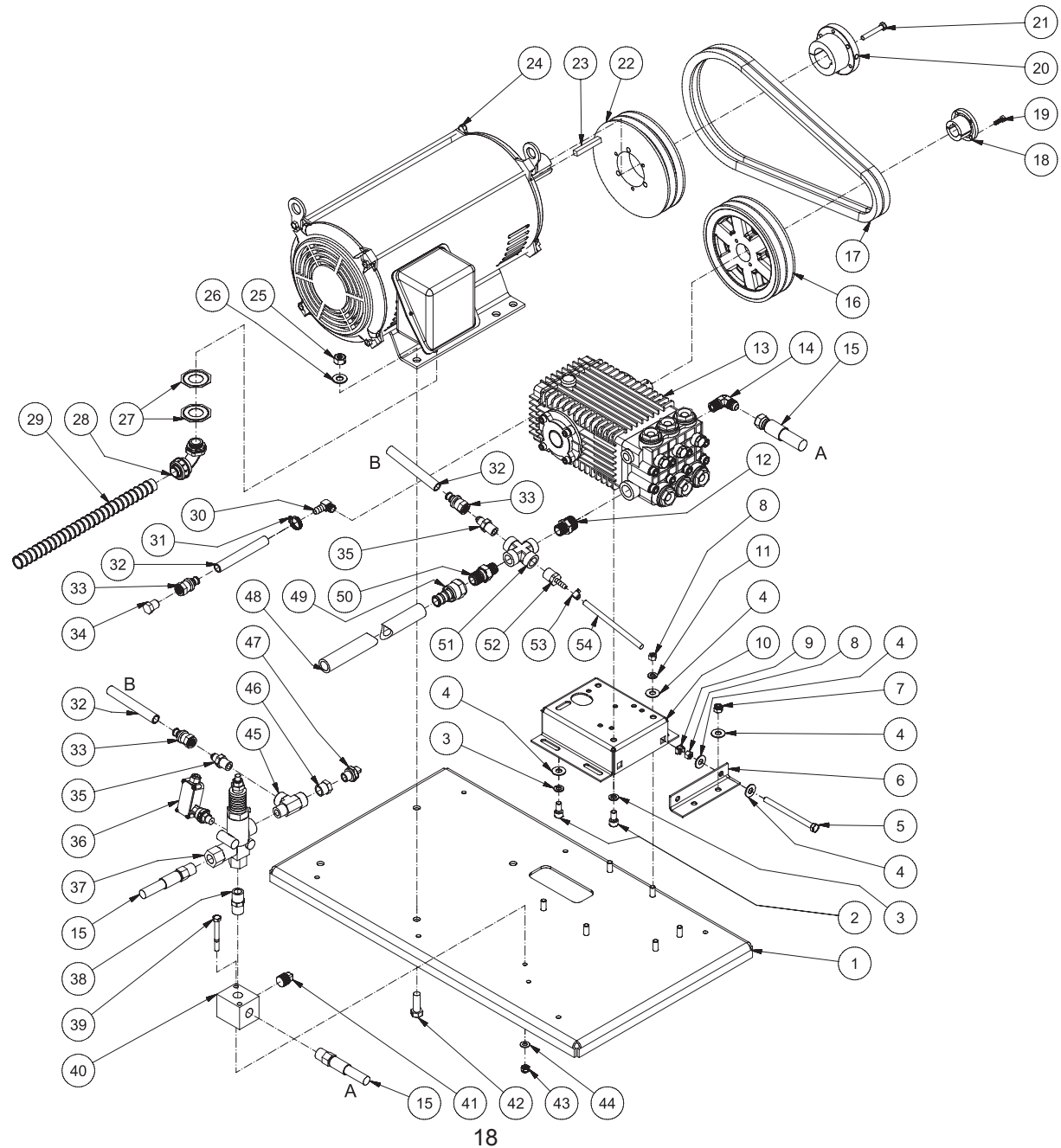
HEG 3008_2010 PUMP FRAME ASSY



HEG 3008_2010 PUMP FRAME ASSY 062507-CH

FRAME ASSEMBLY			
REF. #	DESCRIPTION	PART #	QTY.
1	Isolator	14-0110	6
2	Washer	28-0003	27
3	Locknut	30-0157	12
4	Isolator Plate Assy	N/A	1
5	Detergent Strainer	19-0056	1
6	Detergent Hose *(Five Feet Required)	15-0021	1
7	Grommet	33-0001	1
8	Float Tank Assy	N/A	1
9	Bracket-Float Tank	20-0949A18	1
10	Lockwasher	29-0007	13
11	Bolt	27-0066	15
12	Conduit *(Two Feet Required)	32-0486	1
13	Elbow	32-0487	1
14	Remote Box	20-0921A18	1
15	Remote Box Face Plate	20-0922A18	1
16	Lockwasher	28-1009	8
17	Screw	27-8835	8
18	Machine Shroud Assy	20-0920A18	1
19	Electrical Box Assy	N/A	1
20	Bolt	27-0015	4
21	Lockwasher	29-0006	4
22	Washer	28-0002	4
23	Hose Barb	23-0036	1
24	Hose *(Two Feet Required)	15-0033	1
25	Frame Assy	5-0265A18	1
*Must Order in One Foot Lengths			

HEG 3008_2010 ISO PLATE ASSY

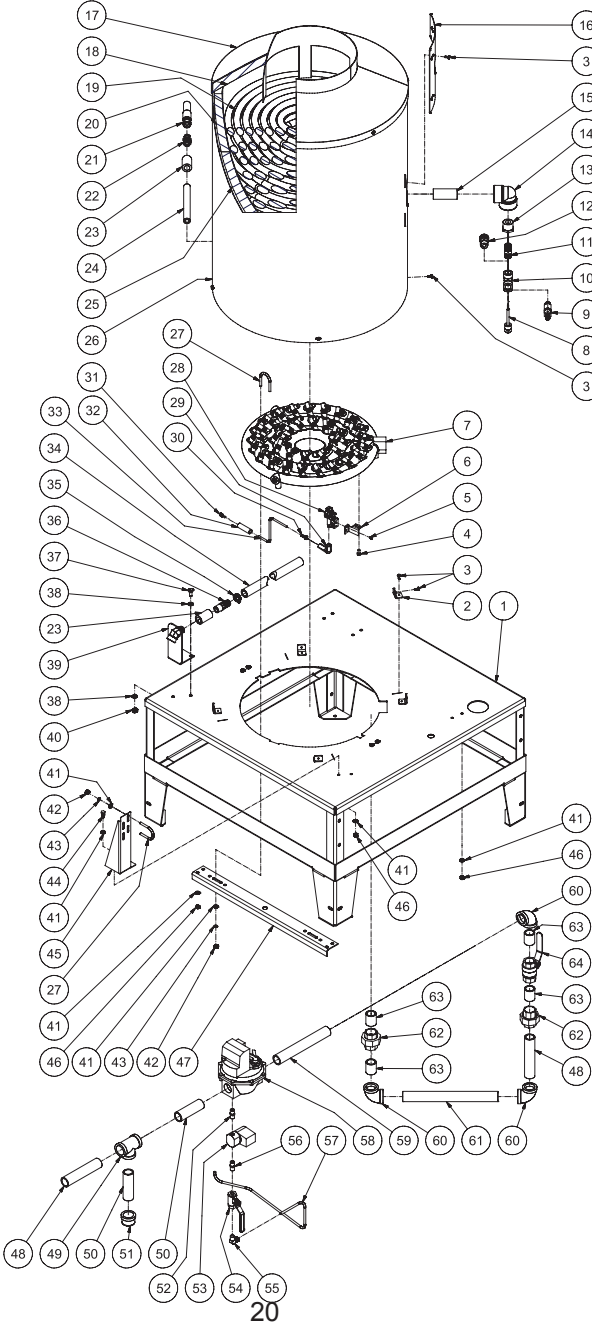


HEG 3008_2010 ISO PLATE ASSY-051707-PO

HEG 3008_2010 ISO PLATE ASSY											
REF. #	DESCRIPTION	PART #	QTY.	REF. #	DESCRIPTION	PART #	QTY.	REF. #	DESCRIPTION	PART #	QTY.
1	Baseplate	5-0266A18	1	19	Bolt	27-0015	2	37	Unloader	8-0032	1
2	Bolt	27-8471	4	20	Bushing	9-0004	1	38	Nipple	23-0012	1
3	Lockwasher	29-0055	4	21	Screw	27-0881	3	39	Bolt	27-0074	2
4	Flatwasher	28-0023	11	22	Sheave	10-0138	1	40	Manifold	51-0034	1
5	Bolt	27-0133	2	23	Key	43-0124	1	41	Plug	39-0016	1
6	Tension Bracket	20-0584A18	1	24	Motor (0E3G/4G)	2-0153	1	42	Bolt	27-0218	4
7	Locknut	30-0159	2	-	Motor (0E9G)	2-0152	1	43	Locknut	30-0157	2
8	Hex Nut	30-0006	6	-	Motor (0E5G)	2-0154	1	44	Washer	28-0003	2
9	Clip Nut	30-6025	2	25	Locknut	30-0163	4	45	Street Tee	24-0242	1
10	Pump Hat	5-0153A18	1	26	Washer	28-0006	4	46	Bushing	23-0016	1
11	Lockwasher	29-0008	4	27	Washer	32-0648	2	47	Thermal Relief Valve	22-0114	1
12	Adapter	23-0082	1	28	Elbow	32-0487	1	48	Hose *(Three Feet Required)	15-0033	1
13	Pump	3-0279	1	29	Conduit *(Three Feet Required)	32-0486	1	49	Hose Barb	23-0358	1
14	Elbow	24-0092	1	30	Elbow	23-0119	1	50	Nipple	23-0359	1
15	Hose, High Pressure	15-0263	2	31	Hose Clamp	42-0011	1	51	Cross	24-0241	1
16	Sheave (2010)	10-0117	1	32	Hose *(Two Feet Required)	15-0007	1	52	Barb	23-0376	1
-	Sheave (3008)	10-0037	1	33	Hose Barb	23-0360	3	53	Worm Clamp	42-0004	1
17	Belt (3008)	11-0068	2	34	Plug	23-0411	1	54	Hose *(Three Feet Required)	15-0079	1
-	Belt (2010)	11-0053	2	35	Nipple	23-0361	2				
18	Bushing	9-0017	1	36	Press Switch	22-0171	2				

*Must Order in One Foot Lengths

HEG 3008 COIL FRAME ASSEMBLY

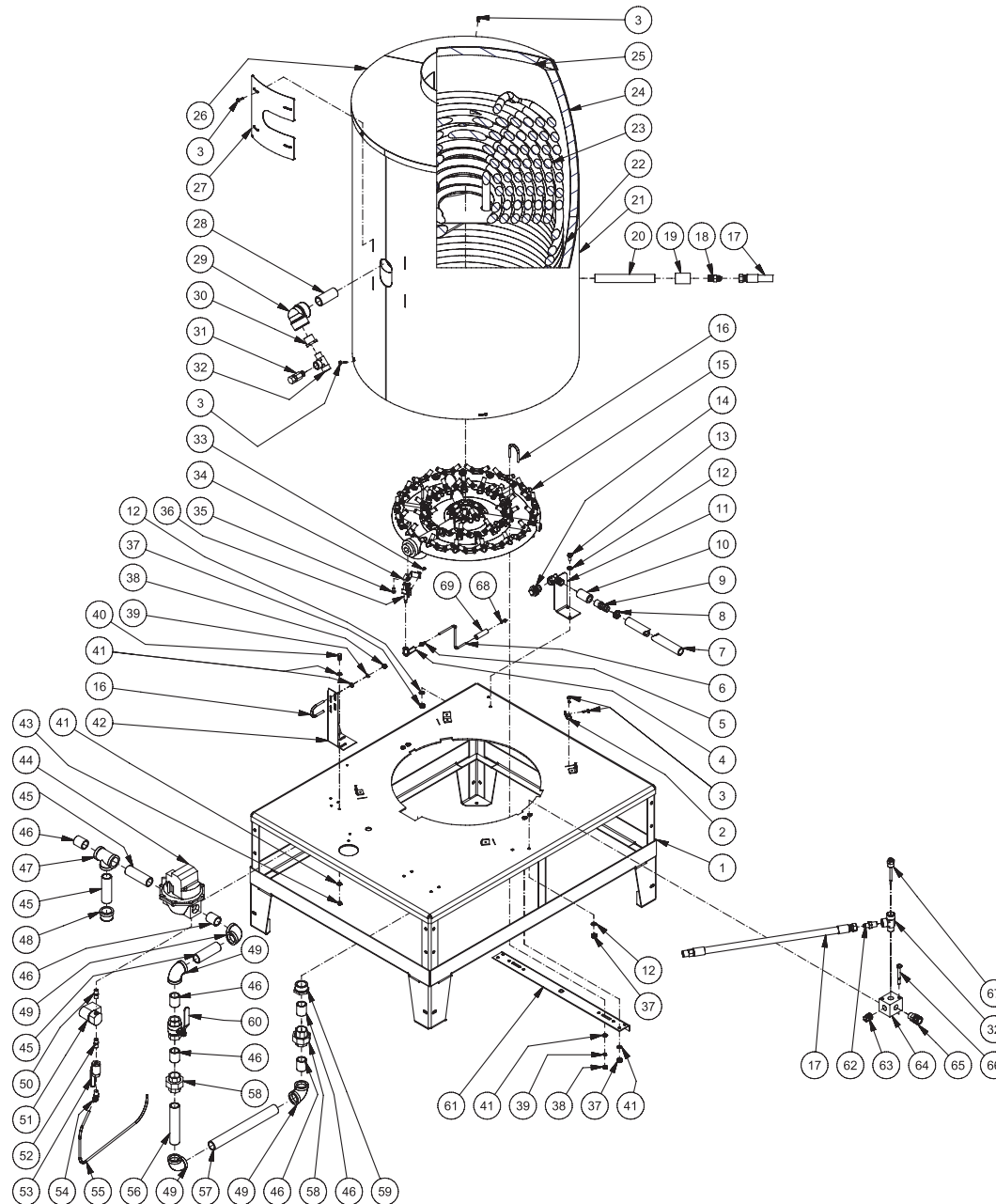


HEG 3008 COIL FRAME ASSY-062507-CH

HEG 3008 COIL FRAME ASSY											
REF. #	DESCRIPTION	PART #	QTY.	REF. #	DESCRIPTION	PART #	QTY.	REF. #	DESCRIPTION	PART #	QTY.
1	Coil Frame Assembly	5-0267A18	1	23	Coupler	24-0237	1	45	Bracket	20-0948A18	1
2	Retaining Clip	20-0651A18	4	24	Pipe Nipple	24-0255	1	46	Locknut	30-0155	8
3	Screw	27-3062	22	25	Insulation Blanket	850-0365	1	47	Burner Support	20-0923A18	1
4	Bolt	27-0014	2	26	Coil Wrap	20-0924A18	1	48	Pipe Nipple	24-0097	1
5	Screw	27-2096	2	27	Bolt	31-2008	3	49	Tee	24-0261	1
6	Ignitor Bracket	20-0936A18	1	28	Pilot Burner/Ignitor Sensor	44-0115	1	50	Pipe Nipple	24-0260	4
7	Burner Ring -NG	4-0023	1	-	Pilot (HX-180) (Replaces Orifice provided with 44-0115)	44-0116	1	51	Cap	24-0262	1
-	Burner Ring -LP (HX-0160)	4-0025	1	29	Spark Plug Boot	44-0118	1	52	Adapter	23-0103	1
8	Adjustable Thermostat	32-0962	1	30	Spark Plug Terminal	44-0119	1	53	Pilot Valve	22-0409	1
9	Pressure Relief Valve	22-0309	1	31	Terminal	32-0221	1	54	Ball Valve	22-0002	1
10	Cross	24-0241	1	32	Heat Shrink *(One Foot Required)	33-0219	1	55	Elbow	23-0417	1
11	Hex Nipple	24-0031	1	33	Ignitor Wire *(Five Feet Required)	44-0117	1	56	Reducer	23-0462	1
12	Quick Connect Socket	17-0029	1	34	Hose *(Five Feet Required)	15-0033	1	57	Tubing *(Four Feet Required)	54-0027	1
13	Reducer	24-0303	1	35	Hose Clamp	42-0011	1	58	Gas Regulator- NG	22-0407	1
14	Elbow	24-0298	1	36	Hose Barb	23-0036	1	-	Gas Regulator -LP (HX-0189)	22-0417	1
15	Pipe Nipple	24-0288	1	37	Bolt	27-0066	2	59	Pipe Nipple	24-0252	1
16	Cover- Coil Outlet	20-0925A18	1	38	Washer	28-0003	4	60	Elbow	24-0096	3
17	Exhaust Dome	20-0935A18	1	39	Bracket	20-0428A18	1	61	Pipe Nipple	24-0289	1
18	Insulation Dome	850-0367	1	40	Locknut	30-0157	2	62	Union	24-0259	2
19	Coil Assy	66-0020	1	41	Washer	28-0002	16	63	Pipe Nipple	24-0012	4
20	Insulation Blanket	850-0366	1	42	Hex Nut	30-0002	7	64	Ball Valve	22-0344	1
21	Hose, High Pressure	15-0263	1	43	Lockwasher	29-0006	6				
22	Adapter	24-0054	1	44	Bolt	27-0015	2				

*Must Order in One Foot Lengths

HEG 2010 COIL FRAME ASSEMBLY



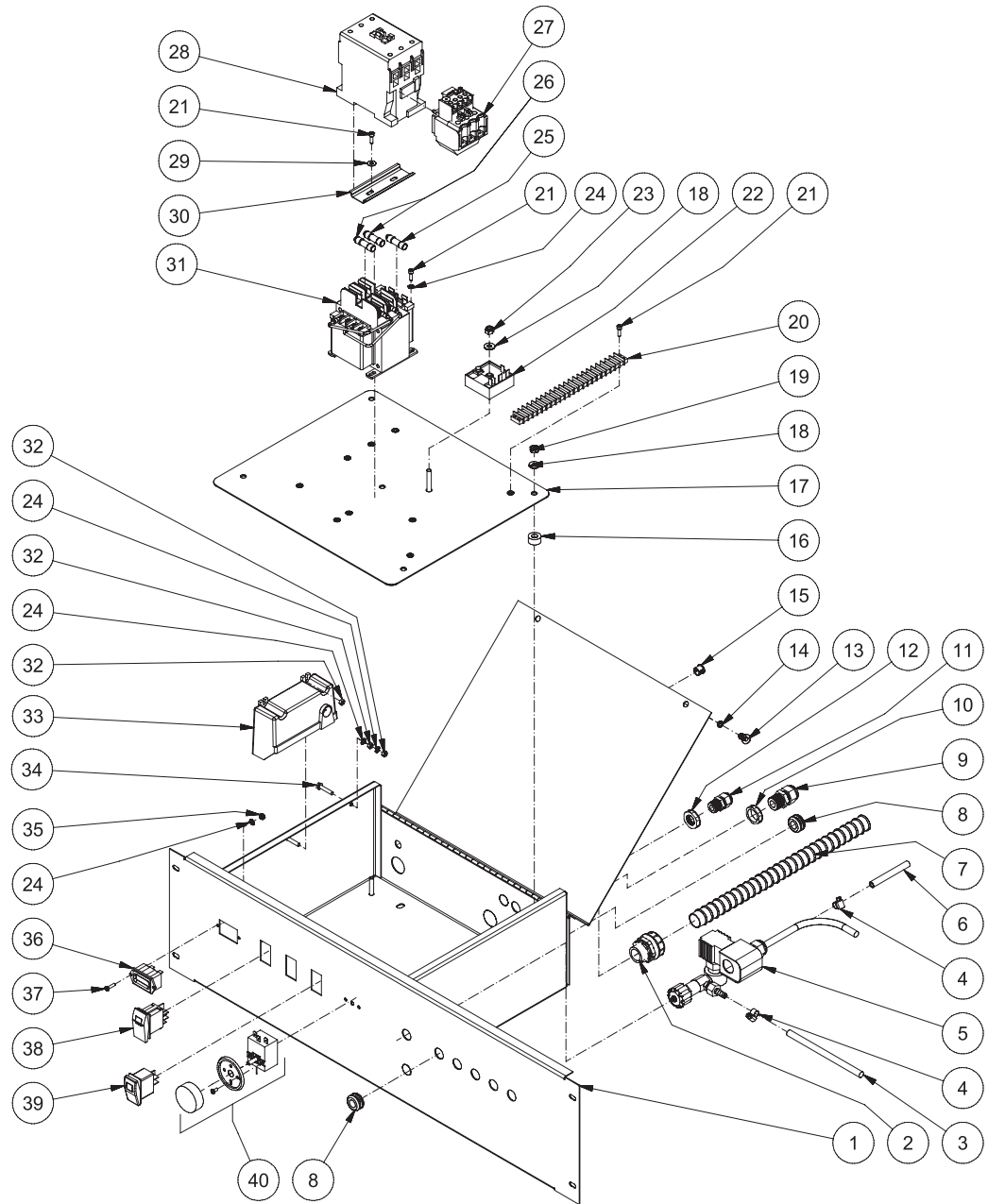
HEG 2010 COIL FRAME ASSY-092407-CH

HEG 2010 COIL FRAME ASSY

REF. #	DESCRIPTION	PART #	QTY.	REF. #	DESCRIPTION	PART #	QTY.	REF. #	DESCRIPTION	PART #	QTY.
1	Coil Frame Assembly	5-0268A18	1	24	Insulation Blanket	850-0363	1	46	Pipe Nipple	24-0012	6
2	Retaining Clip	20-0651A18	4	25	Insulation Dome	850-0634	2	47	Tee	24-0261	1
3	Screw	27-3064	22	26	Exhaust Dome Assy	20-0928A18	1	48	Cap	24-0262	1
4	Spark Plug Boot	44-0118	1	27	Cover- Coil	20-0925A18	1	49	Elbow	24-0096	4
5	Spark Plug Terminal	44-0119	1	28	Pipe Nipple	24-0288	1	50	Reducer	23-0462	1
6	Ignitor Wire *(Five Feet Required)	44-0117	1	29	Elbow	24-0298	1	51	Pilot Valve	22-0409	1
7	Hose *(Five Feet Required)	15-0033	1	30	Reducer	24-0303	1	52	Hex Nipple	23-0103	1
8	Hose Clamp	42-0011	1	31	Thermal Relief Valve	22-0309	1	53	Ball Valve	22-0002	1
9	Hose Barb	23-0063	1	32	Street Tee	24-0242	2	54	Elbow	23-0417	1
10	Full Coupler	24-0237	1	33	Screw	27-2096	2	55	Tubing *(Four Feet Required)	54-0027	1
11	Bracket	20-0428A18	1	34	Ignitor Bracket	20-0937A18	1	56	Pipe Nipple	24-0097	1
12	Washer	28-0003	6	35	Bolt	27-0014	2	57	Pipe Nipple	24-0289	1
13	Bolt	27-0066	2	36	Pilot Burner/Ignitor Sensor	44-0115	1	58	Union	24-0259	2
14	Hose-Swivel Garden	23-0095	1	-	Pilot (HX-189) (Replaces Orifice provided with 44-0115)	44-0116	1	59	Reducer	24-0299	1
15	Burner Ring -NG	4-0024	1	37	Locknut	30-0157	8	60	Ball Valve	22-0344	1
-	Burner Ring- LP (HX -0189)	4-0026	1	38	Hex Nut	30-0002	6	61	Burner Support	20-0923A18	1
16	Bolt	31-2008	3	39	Lockwasher	29-0006	6	62	Pipe Nipple	23-0361	1
17	Hose	15-0263	2	40	Bolt	27-0015	2	63	Plug	39-0016	1
18	Adapter	24-0054	1	41	Washer	28-0002	14	64	Manifold	51-0034	1
19	Reducer	24-0300	1	42	Bracket	20-0948A18	1	65	Quick Connect Socket	17-0029	1
20	Pipe Nipple	24-0297	1	43	Locknut	30-0155	2	66	Bolt	27-0074	2
21	Coil Wrap	20-0927A18	1	44	Gas Regulator -NG	22-0407	1	67	Adjustable Thermostat	32-0962	1
22	Insulation Blanket	850-0362	1	-	Gas Regulator -LP (HX-0189)	22-0417	1	68	Terminal	32-0221	1
23	Coil Assy	66-0022	1	45	Pipe Nipple	24-0260	3	69	Heat Shrink *(One Foot Required)	33-0219	1

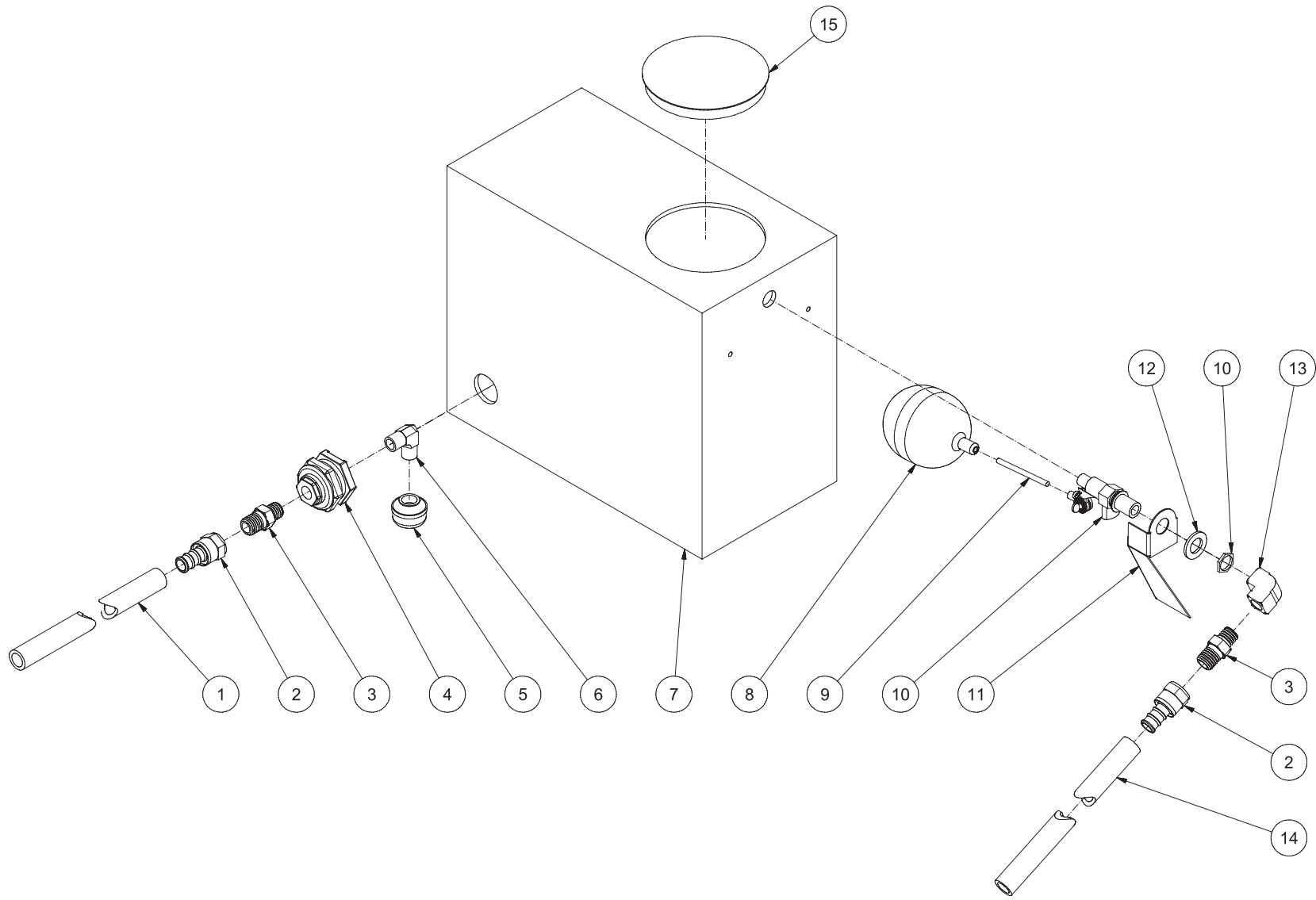
*Must Order in One Foot Lengths

ELECTRIC BOX ASSY



HEG 3008_2010 ELECTRIC BOX ASSY								
REF. #	DESCRIPTION	PART #	QTY.	REF. #	DESCRIPTION	PART #	QTY.	
1	Electric Box	20-0918A18	1	25	Fuse-Secondary	32-0743	1	
2	Conduit Fitting	32-0488	2	26	Fuse- Primary (3008/2010-0E3G)	32-0740	2	
3	Hose *(Three Feet Required)	15-0079	1	-	Fuse- Primary (3008/2010-0E4/5G)	32-0467	2	
4	Clamp Worm	42-0004	2	-	Fuse- Primary (3008/2010-0E9G)	32-0741	2	
5	Detergent Solenoid	N/A	1	27	Overload Relay (3008/2010-0E3G)	32-0485	1	
6	Hose *(Five Feet Required)	15-0021	1	-	Overload Relay (3008/2010-0E4/5G)	32-0483	1	
7	Conduit *(Five Feet Required)	32-0486	1	-	Overload Relay (3008/2010-0E9G)	32-0938	1	
8	Grommet	33-0001	5	28	Contactor (3008/2010-0E9G)	32-0598	1	
9	Strain Relief	32-0437	1	-	Contactor (3008/2010-0E3G)	32-0328	1	
10	Locknut	32-0108	1	-	Contactor (3008/2010-0E4/5G)	32-0329	1	
11	Strain Relief	32-0586	3	29	Flatwasher	28-0001	2	
12	Locknut	32-0587	3	30	Din Rail *(One Foot Required)	32-0316	1	
13	Fastner	33-0197	2	31	Transformer (HEG-3008/2010-0E9G)	32-0618	1	
14	O-Ring	25-0209	2	-	Transformer (HEG-3008/2010-0E5G)	32-0914	1	
15	Bushing	9-0028	1	-	Transformer (HEG-3008/2010-0E4/3G)	32-0735	1	
16	Fuel Tank Isolator	14-0103	5	32	Hex Nut	30-6001	4	
17	Electric Plate Assy	20-0919A18	1	33	Ignition Controller-Honeywell	32-0936	1	
18	Washer	28-0002	6	34	Bolt	27-8807	1	
19	Hex Nut	30-0002	5	35	Hex Nut	30-0052	2	
20	Terminal Strip	32-0463	1	36	Hour Meter/Digital	32-0668	1	
21	Screw	27-8835	6	37	Bolt	27-8881	2	
22	Timer Switch	32-0800	1	38	Rocker Switch	32-0801	1	
23	Locknut	30-0155	1	39	Rocker Switch	32-0731	2	
24	Lockwasher	28-1009	6	40	Adjustable Thermostat	32-0962	1	
*Must Order in One Foot Lengths								

FLOAT TANK ASSY

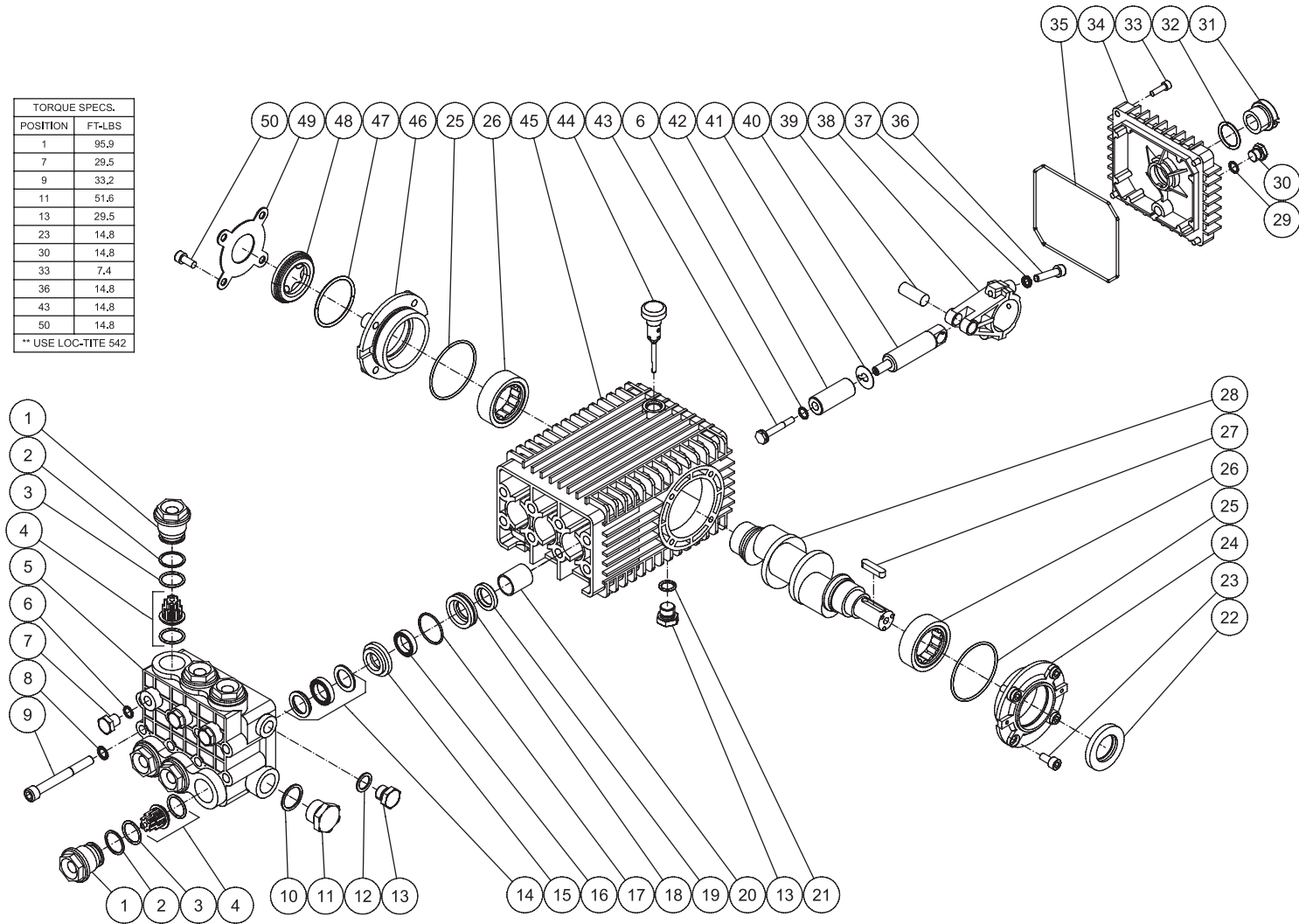


FLOAT TANK ASSY			
REF. #	DESCRIPTION	PART #	QTY.
1	Hose *(Three Feet Required)	15-0033	1
2	Hose Barb	23-0358	2
3	Hex Nipple	23-0359	2
4	Bulkhead Fitting	55-0886	1
5	Strainer	19-0203	1
6	Elbow	23-0386	1
7	Float Tank	850-0377	1
8	Float	22-0059	1
9	Ball Float	31-3320	1
10	Float Valve Assy	22-0402	1
11	Float Tank Baffle	21-0239	1
12	Flat Washer	28-1048	1
13	Elbow	23-0298	1
14	Hose *(Five Feet Required)	15-0033	1
15	Cap	39-0361	1
*Must Order in One Foot Lengths			

PUMP

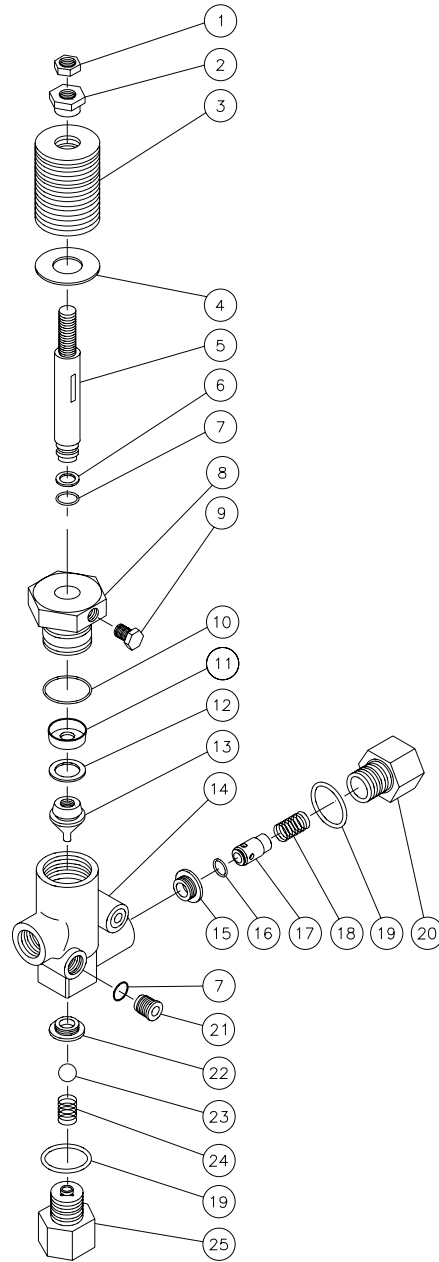
TORQUE SPECS.	
POSITION	FT-LBS
1	95,9
7	29,5
9	33,2
11	51,6
13	29,5
23	14,8
30	14,8
33	7,4
36	14,8
43	14,8
50	14,8

** USE LOC-TITE 542



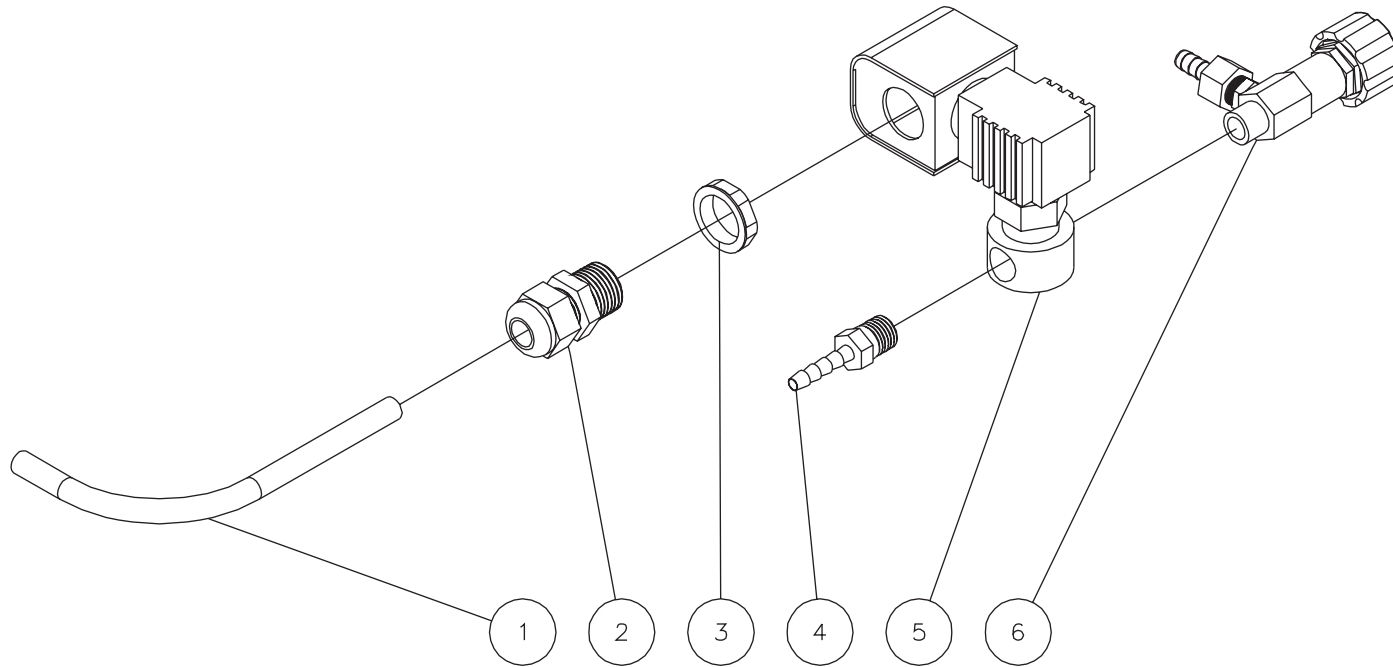
PUMP ASSEMBLY (3-0279)							
REF. #	DESCRIPTION	PART #	QTY.	REF. #	DESCRIPTION	PART #	QTY.
1	Valve Cap	46-1222	6	28	Crankshaft	46-1210	1
2	Backup Ring	25-0592	6	29	O-ring	25-0014	1
3	O-ring	25-0139	6	30	Plug	39-0017	1
4	Valve Assembly (See 70-0439)	N/A Sep.	6	31	Sight Glass	46-1163	1
5	Manifold	46-1220	1	32	O-ring	25-0059	1
6	O-ring	25-0310	6	33	Bolt	27-8812	4
7	Plug	39-0222	3	34	Crankcase Cover	46-1212	1
8	Lockwasher	29-0155	8	35	O-ring	25-0339	1
9	Bolt	27-9595	8	36	Bolt	27-8435	6
10	Gasket	28-1051	1	37	Lockwasher	29-1014	6
11	Plug	39-0221	1	38	Connecting Rod	46-1211	3
12	Washer	28-1002	1	39	Connecting Rod Pin	43-0118	3
13	Plug	29-0018	2	40	Piston Rod	46-1213	3
14	High Pressure Seal Assembly (See 70-0440 or 70-0441)	N/A Sep.	3	41	Slinger Washer	46-1214	3
15	High Pressure Intermediate Ring (See 70-0441)	N/A Sep.	3	42	Plunger	46-1221	3
16	Low Pressure Seal Assembly (See 70-0440 or 70-0441)	N/A Sep.	3	43	Piston	46-1216	3
17	O-ring	25-0015	3	44	Oil Dipstick	46-0144	1
18	Low Pressure Seal Retainer (See 70-0441)	N/A Sep.	3	45	Crankcase	46-1209	1
19	Oil Seal	26-0047	3	46	Crankcase Sight Glass Cover	46-1208	1
20	Bushing	9-0029	3	47	O-ring	25-0060	1
21	O-ring	25-0052	1	48	Oil Level Indicator	46-0574	1
22	Oil Seal	26-0049	1	49	Sight Glass Cover	46-1207	1
23	Bolt	27-8431	4	50	Bolt	27-8433	4
24	Crankcase Cover	46-1217	1		Oil Seal Kit (Inc. 3 each 19)	70-0432	
25	O-ring	25-0590	2		Valve Kit (Inc. 6 each 4)	70-0439	
26	Bearing	48-0085	2		Low/High Pressure Seal Kit (Inc. 3 each 14, 16)	70-0440	
27	Key	46-0602	1		Packing Kit (Inc. 14-18)	70-0441	

UNLOADER (8-0032)



UNLOADER ASSEMBLY (8-0032)			
REF.#	DESCRIPTION	PART #	QTY.
1	Locknut	30-3058	1
2	Adjusting Nut	8-0089	1
3	Spring Washers - Orange	8-0009	15
4	Washer	28-0250	1
5	Valve Stem	8-0037	1
6	Backup Ring	8-0038	1
7	O-ring	25-0009	5
8	Valve Cap	8-0036	1
9	Set Screw	8-0084	1
10	O-ring	25-0008	1
11	Cup	8-0034	1
12	Back-up Ring	8-0040	1
13	Piston	8-0039	1
14	Valve Body	8-0164	1
15	Outlet Seat	8-0006	1
16	O-ring	25-0011	1
17	Outlet Valve	8-0004	1
18	Spring	49-0016	1
19	O-ring	25-0010	2
20	Outlet Retainer	8-0003	1
21	Brass Plug	8-0011	4
22	Valve Seat	8-0005	1
23	Ball	8-0041	1
24	Spring	49-0015	1
25	Inlet Retainer	8-0165	1
	Unloader Repair Kit (Inc. 6, 7, 10-12, 16 and 19)	70-0044	

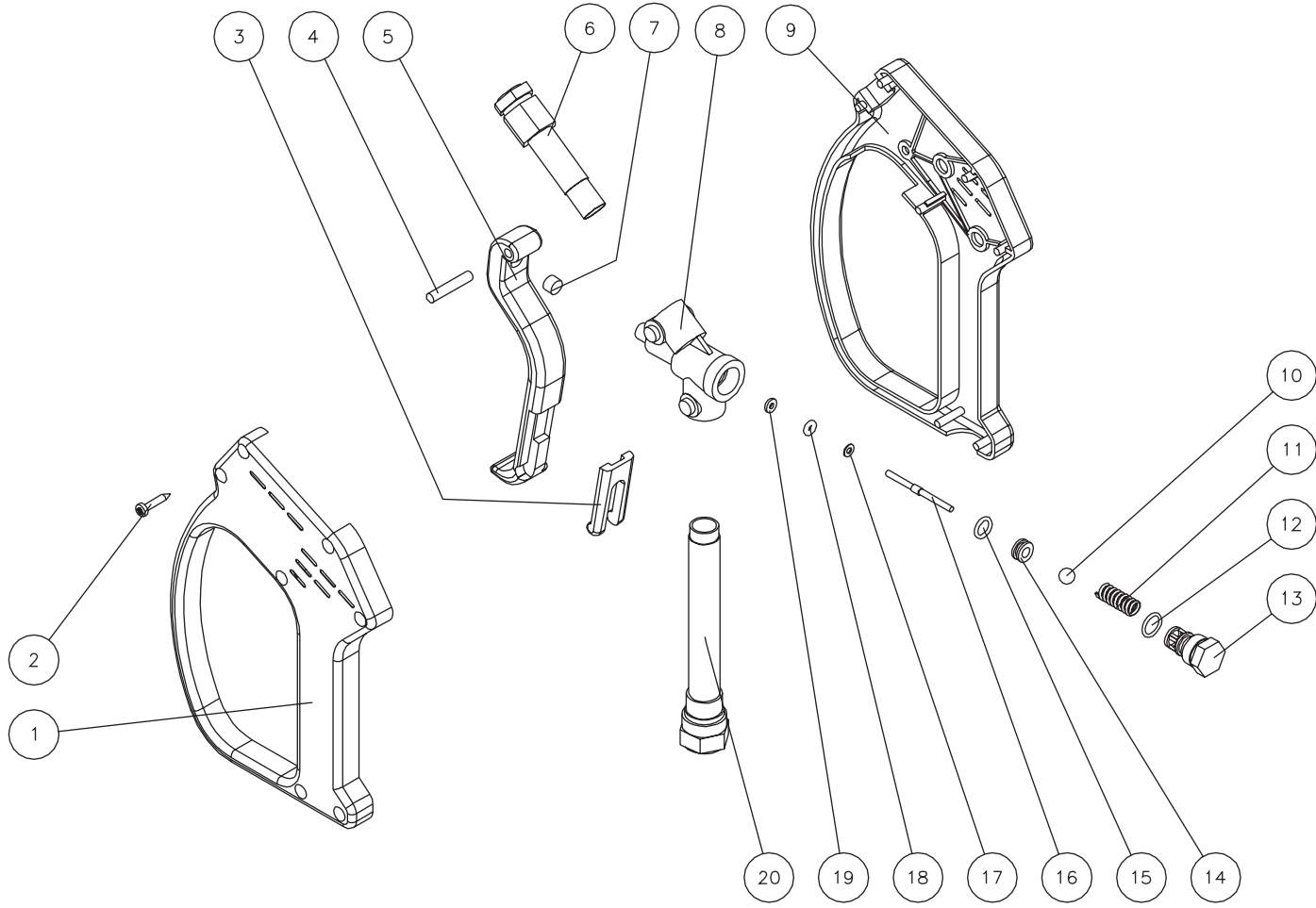
DETERGENT SOLENOID



HEG DETERGENT SOLENOID FOR TIME DELAY/REMOTES-032202-BAR

DETERGENT SOLENOID FOR TIME DELAY AND REMOTES			
REF. #	DESCRIPTION	PART #	QTY.
1	Cord *(Two Feet Required)	32-0075	1
2	Strain Relief	32-0437	1
3	Locknut	32-0108	1
4	Hose Barb	23-0051	1
5	Detergent Solenoid	32-0733	1
6	Detergent Valve	22-0226	1
*Must Order in One Foot Lengths			

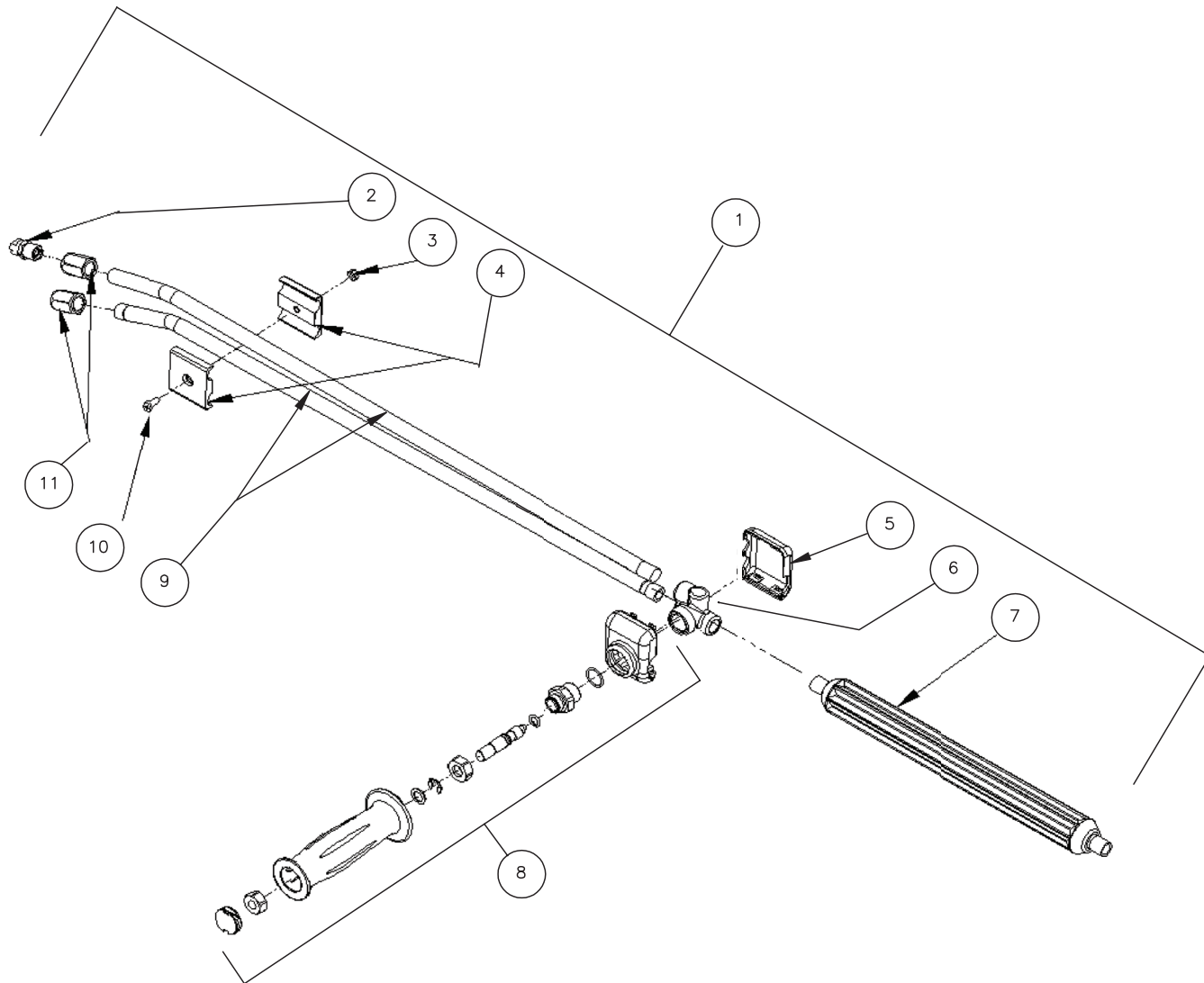
GUN ASSEMBLY



GUN ASSEMBLY (16-0392)

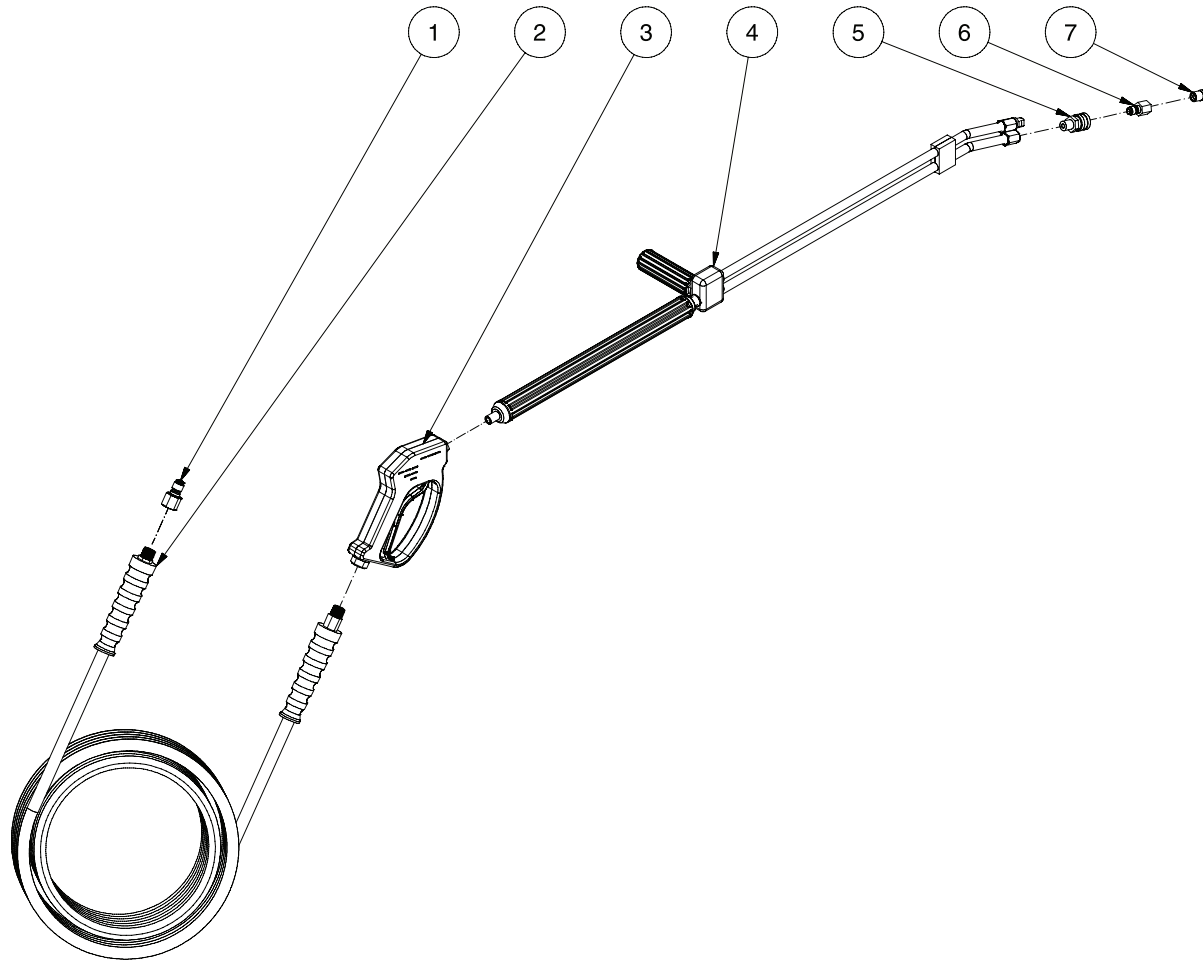
REF. #	DESCRIPTION	PART #	QTY.	REF. #	DESCRIPTION	PART #	QTY.
1	Plastic Housing (Left)	N/A	1	12	O-ring (See 70-0332)	N/A Sep.	1
2	Screw	N/A	7	13	Spring Housing Plug	N/A	1
3	Safety Latch	N/A	1	14	Seat (See 70-0332)	N/A Sep.	1
4	Pin	N/A	1	15	O-ring (See 70-0332)	N/A Sep.	1
5	Trigger	16-0393	1	16	Piston (See 70-0332)	N/A Sep.	1
6	Tube	16-0395	1	17	Washer	N/A	1
7	Striker	16-0394	1	18	O-ring (See 70-0332)	N/A Sep.	1
8	Body	N/A	1	19	Back-up Ring (See 70-0332)	N/A Sep.	1
9	Plastic Housing (Right)	N/A	1	20	Tube	16-0396	1
10	Ball (See 70-0332)	N/A Sep.	1		Repair Kit (Inc. 10, 12, 14-16, 18, 19)	70-0332	1
11	Spring	N/A	1				

DUAL LANCE ASSEMBLY



DUAL LANCE ASSEMBLY (16-0416 & 16-0417)			
REF. #	DESCRIPTION	PART #	QTY.
1	Dual Lance Assembly - 36" (Inc. 2-11)	16-0416	1
-	Dual Lance Assembly - 48" (Inc. 2-11)	16-0417	1
2	Detergent Nozzle	18-0110	1
3	Nut	30-6001	1
4	Clamp	16-0420	2
5	Lower Valve Cover (See 16-0416 or 16-0417)	N/A Sep.	1
6	Housing (See 16-0416 or 16-0417)	N/A Sep.	1
7	Lance	16-0419	1
8	Handle Repair Kit	70-0419	1
9	Lance (See 16-0416)	N/A Sep.	2
-	Lance (See 16-0417)	N/A Sep.	2
10	Screw	27-8196	1
11	Nozzle Adapter	24-0280	2

GUN/HOSE/WAND ASSY

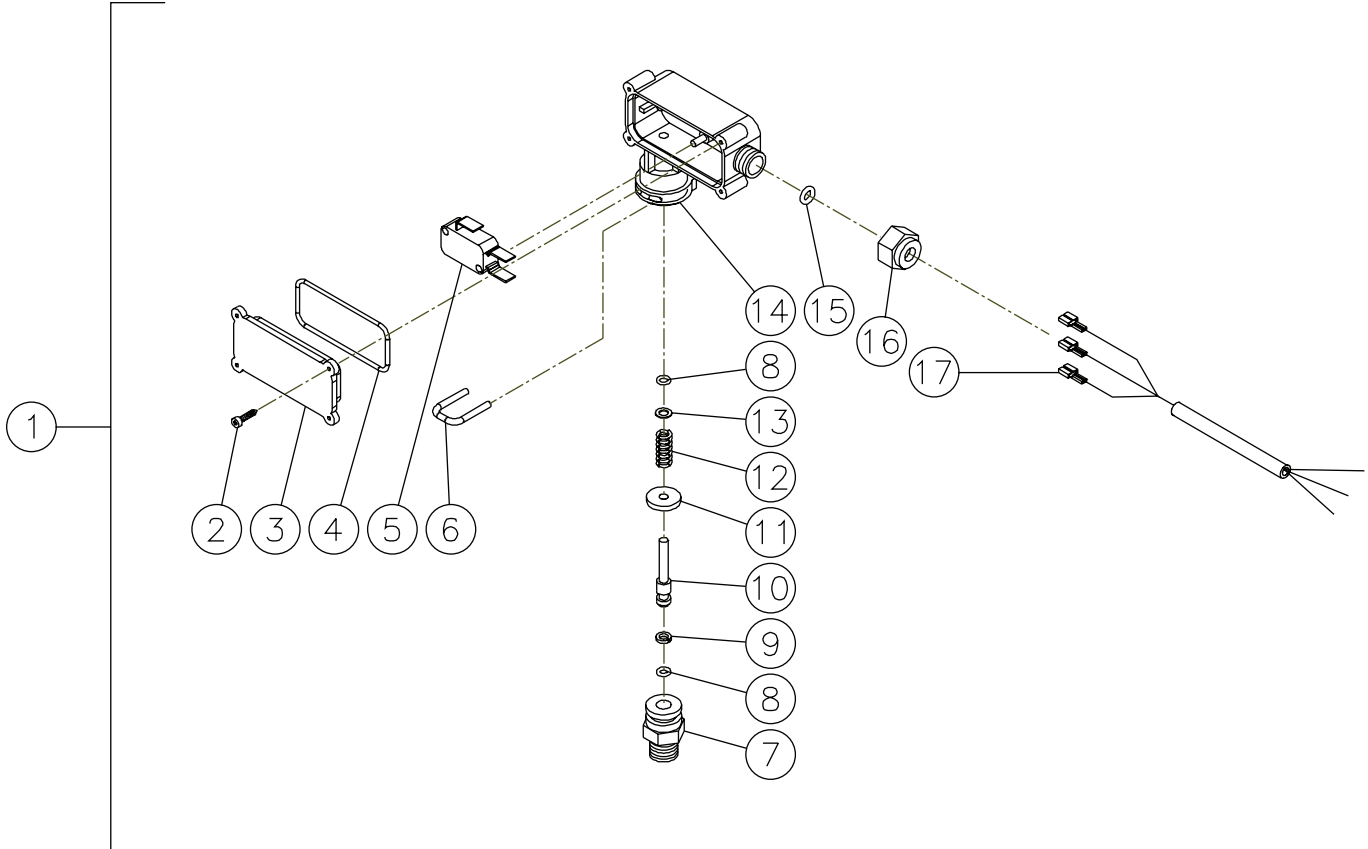


HEG 3008_2010 HOUSE GUN WAND
ASSY-020107-PO

HEG 3008_2010 HOSE GUN WAND ASSY-020107-PO

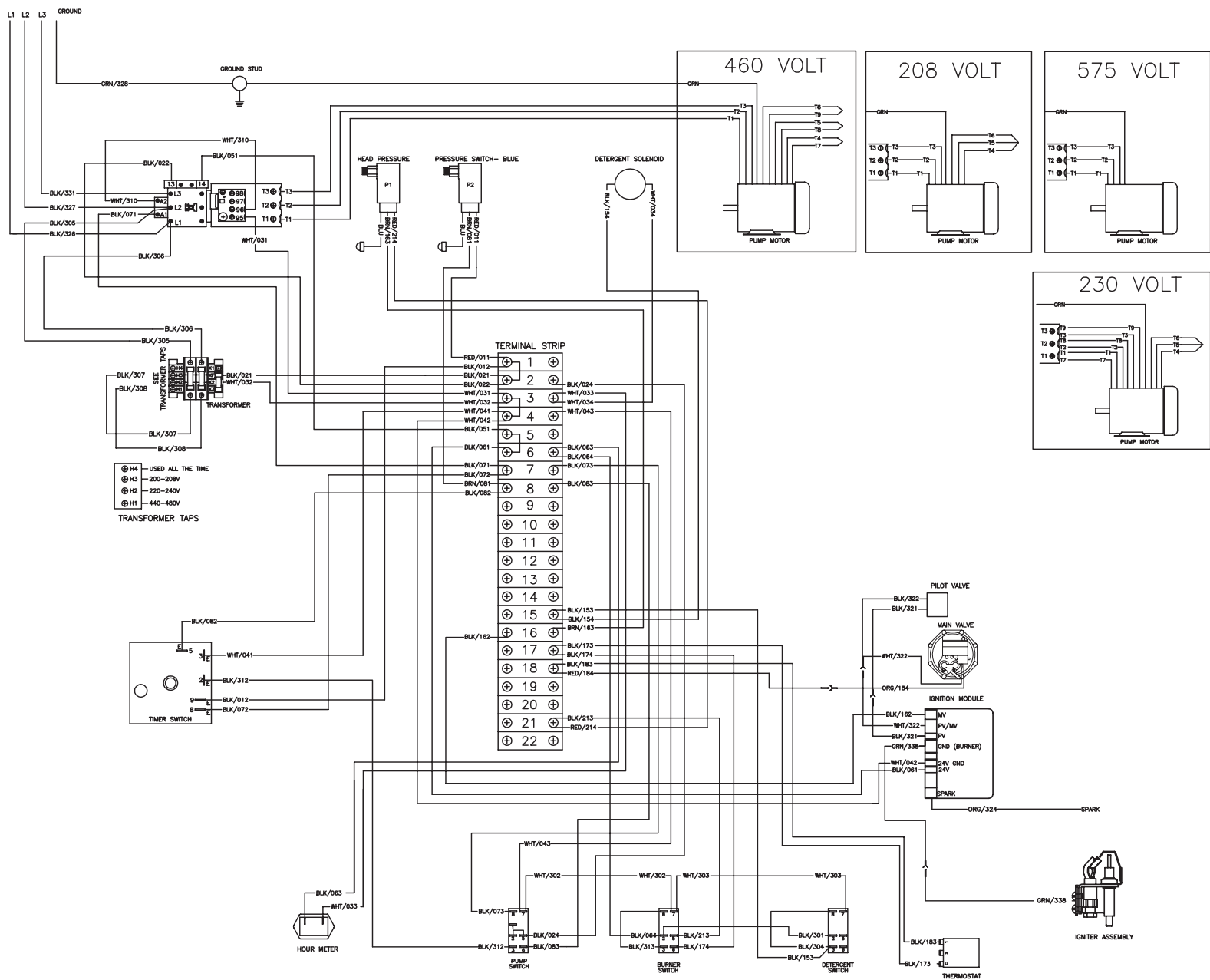
HOSE GUN WAND ASSY			
REF. #	DESCRIPTION	PART #	QTY.
1	Quick Connect Plug	17-0006	1
2	Hose (3008)	15-0166	1
-	Hose (2010)	15-0056	1
3	Gun	16-0392	1
4	Dual Lance	16-0417	1
5	Quick Connect Socket	17-0028	1
6	Quick Connect Plug	17-0017	4
7	Nozzle 1509 (3008)	18-0147	1
-	Nozzle 0009 (3008)	18-0172	1
-	Nozzle 2509 (3008)	18-0173	1
-	Nozzle 4009 (3008)	18-0174	1
-	Nozzle 1515 (2010)	18-0017	1
-	Nozzle 0015 (2010)	18-0051	1
-	Nozzle 4015 (2010)	18-0109	1
-	Nozzle 2515 (2010)	18-0117	1

PRESSURE SWITCH



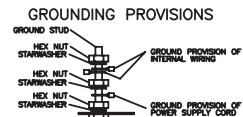
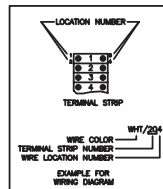
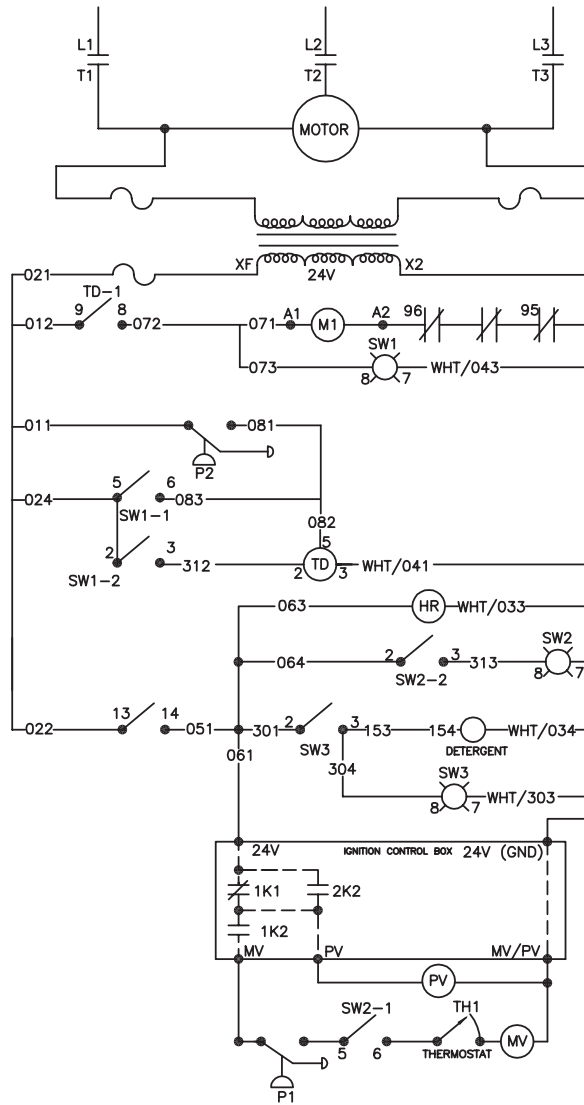
PRESSURE SWITCH								
REF. #	DESCRIPTION	PART #	QTY.		REF. #	DESCRIPTION	PART #	QTY.
1	Pressure Switch- 15 BAR	22-0171	1		11	Washer	N/A	1
-	Pressure Switch- 25 BAR	22-0243	1		12	Spring- 15 BAR	49-0144	1
2	Screw	N/A	4		-	Spring- 25 BAR	49-0145	1
3	Cover	N/A	1		13	Washer	N/A	1
4	O-ring (See 70-0306)	N/A Sep.	1		14	Plastic Housing	N/A	1
5	Micro Switch	N/A	1		15	O-ring (See 70-0306)	N/A Sep.	1
6	Retainer Clip	N/A	1		16	Nut- 15 BAR	N/A	1
7	Body	N/A	1		-	Nut- 25 BAR	N/A	1
8	O-ring (See 70-0306)	N/A Sep.	2		17	Wire Assembly	N/A	1
9	Back-up Ring (See 70-0306)	N/A Sep.	1			O-ring Repair Kit (Inc. 4, 8-9, 15)	70-0306	
10	Piston	N/A	1					

WIRE DIAGRAM



WD-HEG-3008-2010-3010-062507

WIRING SCHEMATIC



OPTION LISTINGS

<u>OPTION</u>	<u>DESCRIPTION</u>	<u>PAGE</u>
HX-0181	Auto Start/Stop	45-46, 46, 57, 59-60 (when using both HX-0181 and HX-0182), 61-62 (when only using HX-0181)
HX-0182	First Remote Box	45-46, 48, 57, 58, 59-60 (when using both HX-0181 and HX-0182), 63-64 (when only using HX-0182)
HX-0183	Additional Remotes	57
HX-0185	Dual Guns HEG-3008	49-50
HX-0186	Modulating Thermostat HEG-3008	49-50
HX-0187	Stainless Steel Panels HEG-3008	53
HX-0188	Stainless Steel Wrap HEG-3008	54
HX-0191	Dual Guns HEG-2010	51-52
HX-0192	Modulating Thermostat HEG-2010	51-52
HX-0193	Stainless Steel Panels HEG-2010	55
HX-0194	Stainless Steel Wrap HEG-2010	56

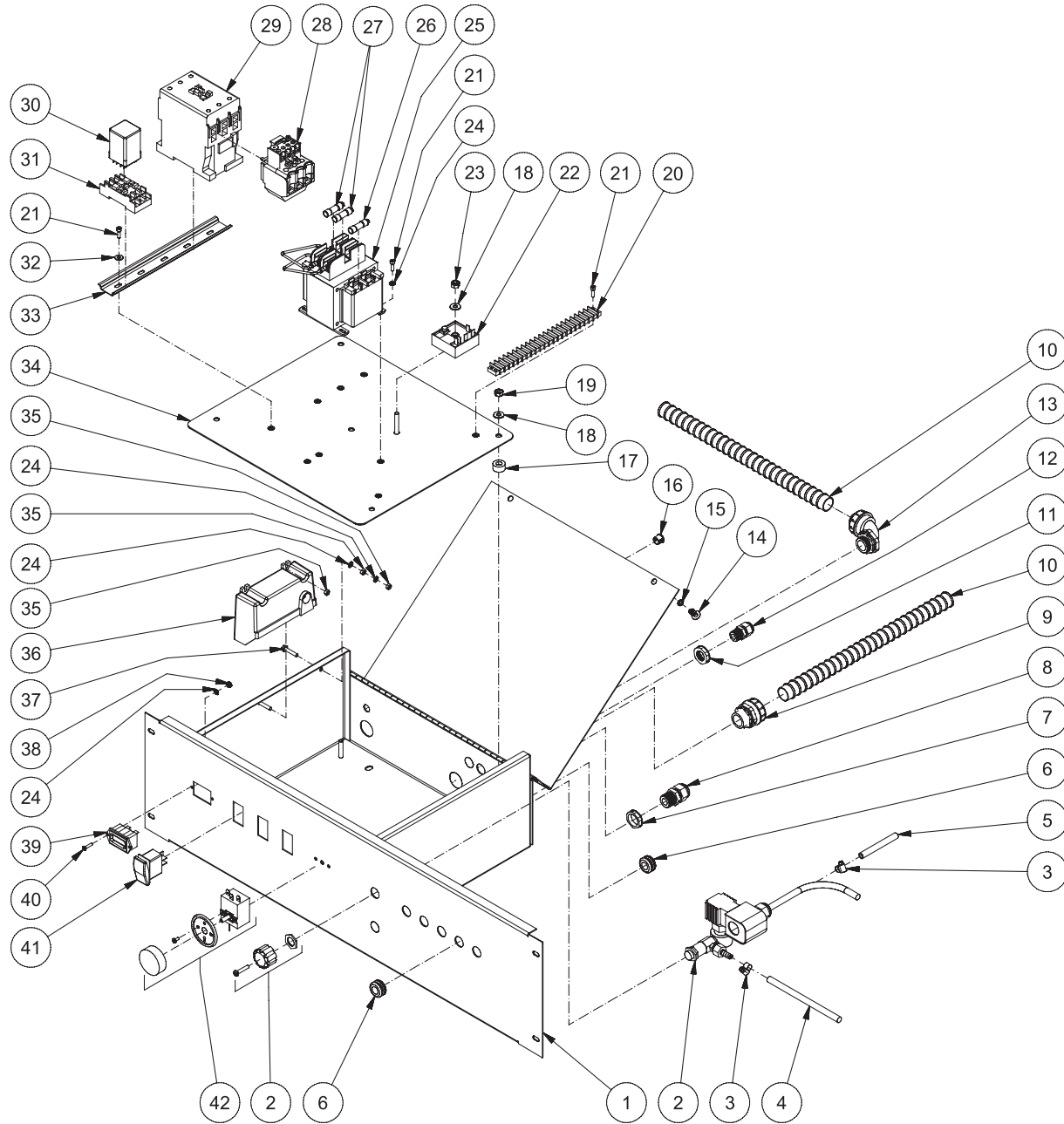
WIRE SCHEMATIC/DIAGRAM

HX-0182	Remotes	63-64
HX-0181	Auto Start/stop	61-62
HX-0181 & HX-0182	Auto Start/stop And Remotes	59-60

REMOTE BOX WIRING

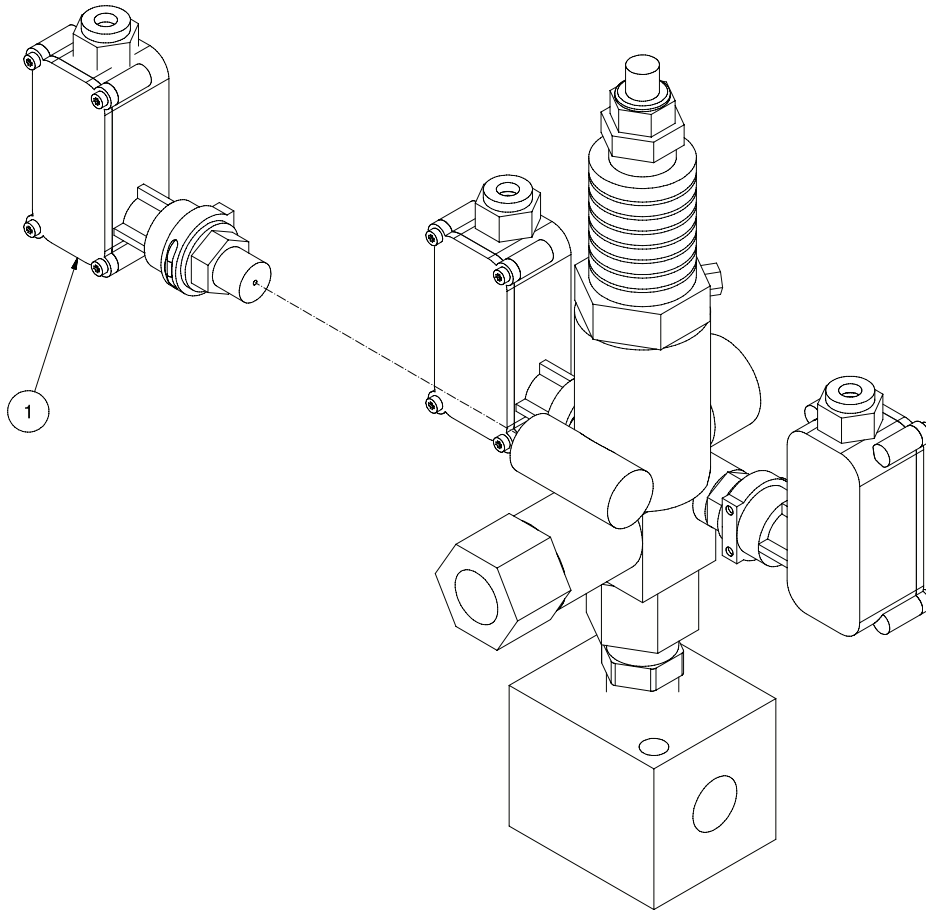
HX-0182	Remote And Auto Start/stop	58
---------	----------------------------	----

AUTO START STOP/REMOTE ELECTRIC BOX (HX-0181_HX-0182)



AUTO START STOP REMOTE ELECTRICAL BOX (HX-0181_HX-0182)							
REF. #	DESCRIPTION	PART #	QTY.	REF. #	DESCRIPTION	PART #	QTY.
1	Electric Box	20-0918A18	1	-	Transformer 575 VAC 100VA (0E5G)	32-0914	1
2	Detergent Solenoid	N/A	1	-	Transformer 150VA 208/230/460V (0E9G)	32-0618	1
3	Clamp Worm	42-0004	2	26	Fuse	32-0743	1
4	Hose *(Three Feet Required)	15-0079	1	27	Fuse (0E3G)	32-0740	2
5	Hose *(Five Feet Required)	15-0021	1	-	Fuse (0E4G/5G)	32-0467	2
6	Grommet	33-0001	6	-	Fuse (0E9G)	32-0741	2
7	Locknut	32-0108	1	28	Overload 30-45A (0E3G)	32-0485	1
8	Strain Relief	32-0437	1	-	Overload 16-24A (0E4G/5G)	32-0483	1
9	Conduit	32-0488	2	-	Overload 30-45A (0E9G)	32-0938	1
10	Conduit *(Six Feet Required) (HX-0182)	32-0486	3	29	Contactora (0E3G)	32-0328	1
-	Conduit *(Four Feet Required) (HX-0181)	32-0486	2	-	Contactora (0E4G/5G)	32-0329	1
11	Locknut	32-0587	4	-	Contactora (0E9G)	32-0598	1
12	Strain Relief (HX-0181)	32-0586	3	30	Relay (HX-0182)	32-0736	3
-	Strain Relief (HX-0182)	32-0586	2	31	Base Relay (HX-0182)	32-0737	3
13	Conduit Elbow	32-0487	1	32	Flatwasher	28-0001	2
14	Fastner	33-0197	2	33	Din Rail *(One Foot Required)	32-0316	1
15	O-Ring	25-0209	2	34	Electric Plate Assy	20-0919A18	1
16	Bushing	9-0028	1	35	Hex Nut	30-6001	4
17	Fuel Tank Isolator	14-0103	5	36	Ignition Controller	32-0936	1
18	Washer	28-0002	6	37	Bolt	27-8807	1
19	Hex Nut	30-0002	5	38	Hex Nut	30-0052	2
20	Terminal Strip	32-0463	1	39	Meter	32-0668	1
21	Screw	27-8835	6	40	Bolt	27-8881	2
22	Timer Switch	32-0800	1	41	Rocker Switch (HX-0182)	32-0732	3
23	Locknut	30-0155	1	-	Rocker Switch (HX-0181)	32-0731	3
24	Lockwasher	28-1009	6	42	Adjustable Thermostat	32-0962	1
25	Transformer 100VA (0E3G/4G)	32-0735	1	* Must Order in One Foot Lengths			

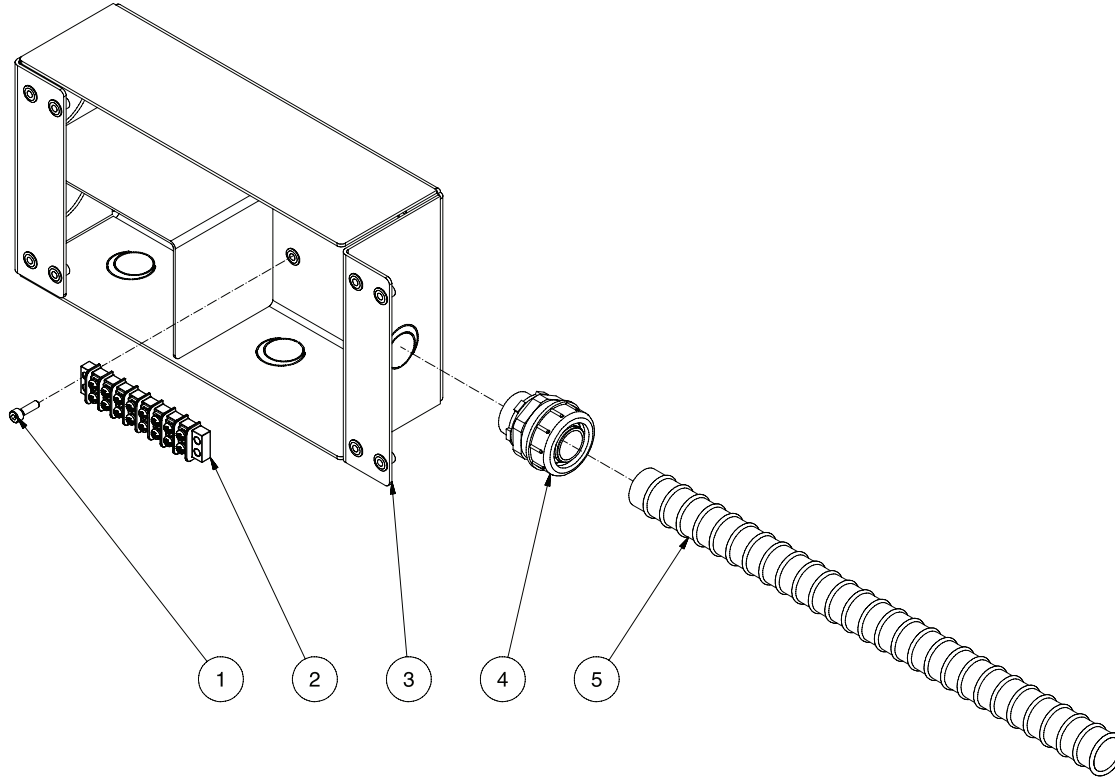
AUTO START STOP REMOTE UNLOADER ASSEMBLY (HX-0181)



HX-0181 AUTO START STOP UNLOADER ASSY-041307-PO

AUTO START STOP UNLOADER (HX-0181)			
REF. #	DESCRIPTION	PART #	QTY.
1	Pressure Switch	22-0243	1

REMOTES JUNCTION BOX (HX-0182)

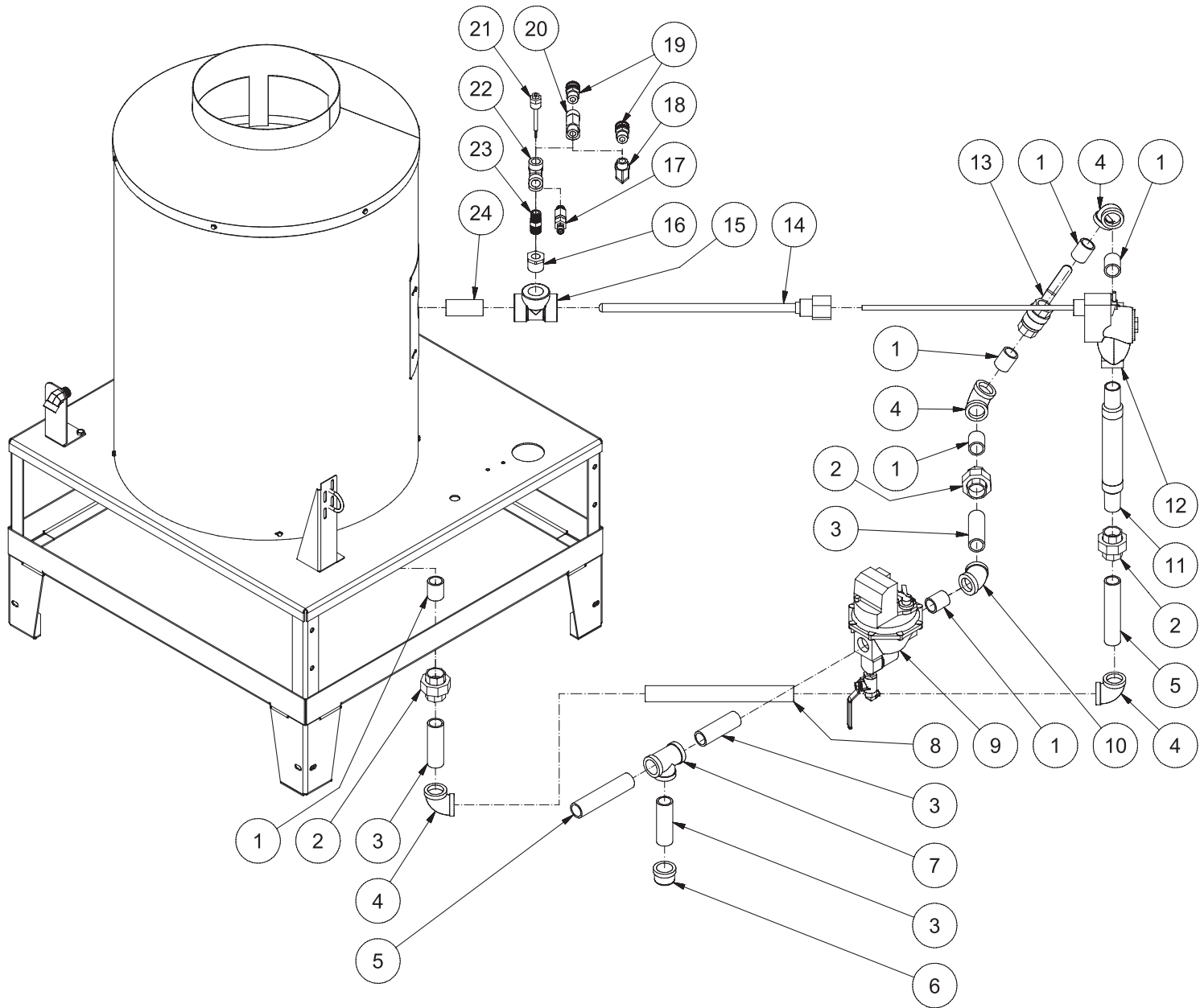


HX-0182 REMOTES JUNCTION BOX-013007-PO

REMOTES JUNCTION BOX (HX-0182)			
REF. #	DESCRIPTION	PART #	QTY.
1	Screw	27-8835	4
2	Terminal Strip	32-0436	2
3	Remote Box	20-0921	1
4	Conduit	32-0488	1
5	Conduit *(Two Feet Required)	32-0486	1

HX-0182 REMOTES JUNCTION BOX-013007-PO

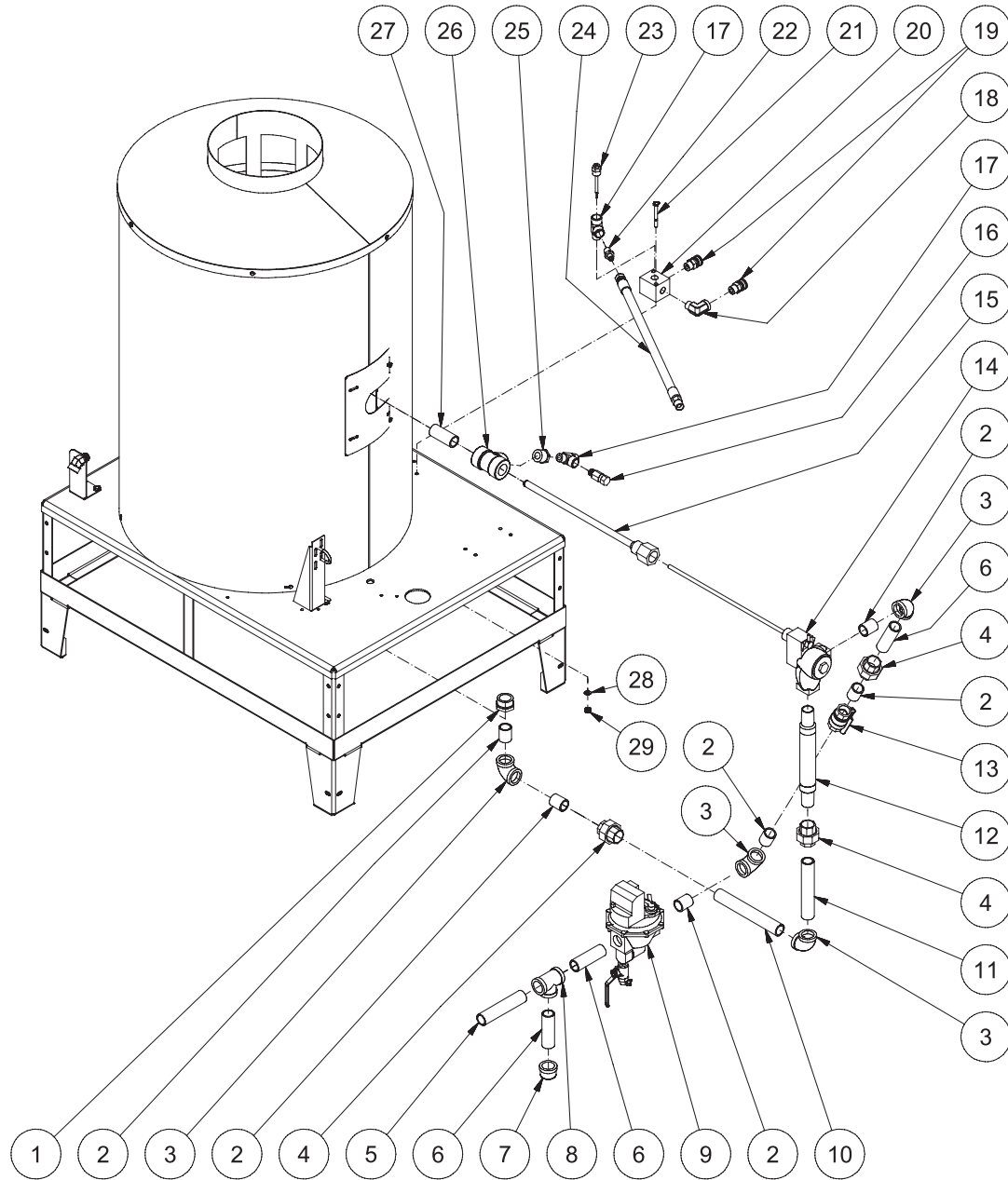
DUAL GUNS/MODULATING THERMOSTAT OPTION- HEG-3008



HX-0185_0186 HEG-3008 DUAL GUNS
MODULATOR 062507-CH

DUAL GUNS/MODULATING THERMOSTAT			
REF. #	DESCRIPTION	PART #	QTY.
1	Pipe Nipple	24-0012	6
2	Union	24-0259	3
3	Pipe Nipple	24-0260	4
4	Elbow	24-0096	4
5	Pipe Nipple	24-0097	2
6	Cap	24-0262	1
7	Tee	24-0261	1
8	Pipe Nipple	24-0289	1
9	Gas Regulator	22-0407	1
10	Elbow	24-0013	1
11	Gas Hose	15-0271	1
12	Modulating Gas Valve	22-0401	1
13	Ball Valve	22-0344	1
14	Socket	24-0296	1
15	Tee	24-0291	1
16	Reducer	24-0303	1
17	Safety Relief Valve	22-0309	1
18	Elbow (HX-0185)	24-0006	1
19	Quick Connect (HX-0184)	17-0029	1
-	Quick Connect (HX-0185)	17-0029	2
20	Tee (HX-0185)	24-0242	1
21	Adjustable Thermostat	32-0962	1
22	Cross	24-0241	1
23	Hex Nipple	24-0031	1
24	Pipe Nipple	24-0288	1

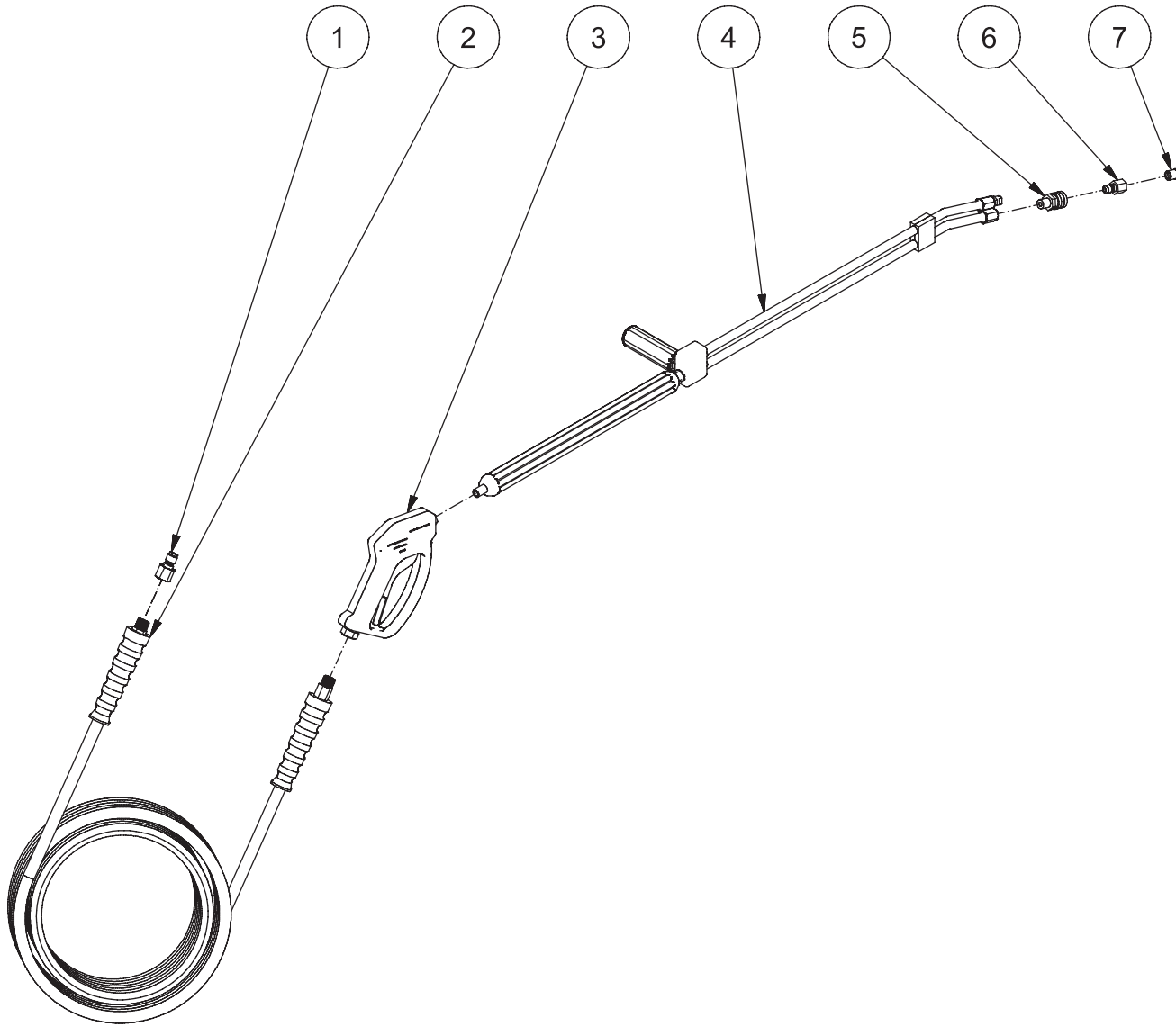
DUAL GUNS/MODULATING THERMOSTAT OPTION HEG-2010



HX-0191_HX-0192 HEG 2010 DUAL
GUNS_MODULATOR 092507-CH

DUAL GUNS/MODULATING THERMOSTAT			
REF. #	DESCRIPTION	PART #	QTY.
1	Reducer	24-0299	1
2	Pipe Nipple	24-0012	6
3	Elbow	24-0096	4
4	Union	24-0259	3
5	Nipple	24-0097	1
6	Pipe Nipple	24-0260	3
7	Cap	24-0262	1
8	Tee	24-0261	1
9	Gas Regulator	22-0407	1
10	Pipe Nipple	24-0252	1
11	Pipe Nipple	24-0307	1
12	Gas Hose	15-0271	1
13	Ball Valve	22-0344	1
14	Modulating Gas Valve	22-0401	1
15	Socket	24-0296	1
16	Safety Relief Valve	22-0309	1
17	Tee (HX-0191)	24-0242	2
18	Elbow (HX-0191)	24-0006	1
19	Quick Connect (HX-0191)	17-0029	2
-	Quick Connect (HX-0192)	17-0029	1
20	Manifold	51-0034	1
21	Bolt	27-0074	2
22	Nipple	23-0361	1
23	Adjustable Thermostat	32-0962	1
24	Hose	15-0263	1
25	Reducer	24-0303	1
26	Tee	24-0291	1
27	Pipe Nipple	24-0288	1
28	Washer	28-0003	2
29	Locknut	30-0157	2

HOSE/GUN/WAND ASSEMBLY

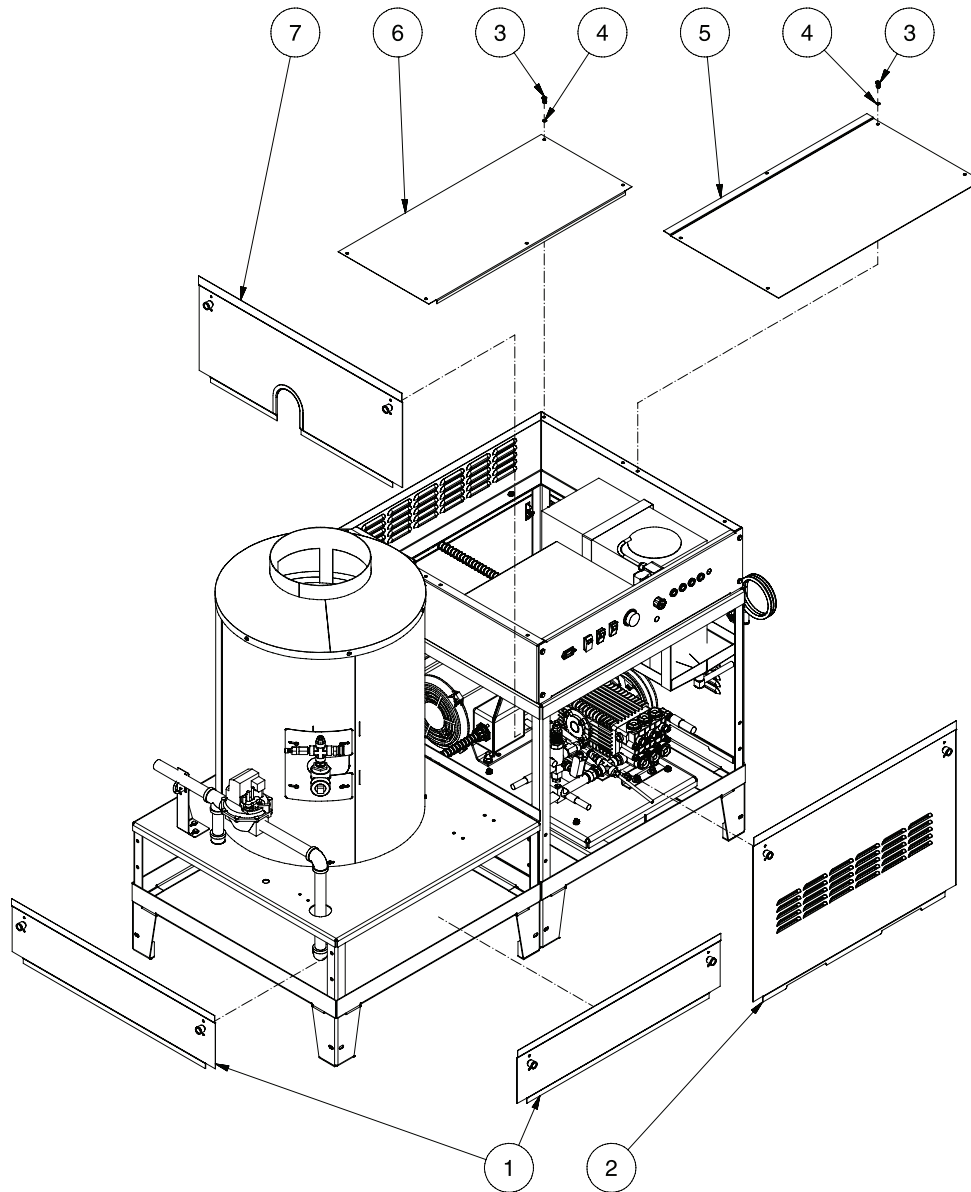


HX-0185_HX-0191 HOSE/GUN/WAND
ASSEMBLY 062907 CH

HX-0185_HX-0191 HOSE/GUN/WAND ASSY 062907

HOSE/GUN/WAND			
REF. #	DESCRIPTION	PART #	QTY.
1	Quick Connect	17-0006	1
2	Hose (HX-0185)	15-0166	1
-	Hose (HX-0191)	15-0056	1
3	Trigger Gun	16-0392	1
4	Dual Lance	16-0417	1
5	Quick Connect	17-0028	1
6	Quick Connect	17-0017	1
7	Nozzle 00045 (HX-0185)	18-0033	2
-	Nozzle 15045 (HX-0185)	18-0039	2
-	Nozzle 25045 (HX-0185)	18-0060	2
-	Nozzle 40045 (HX-0185)	18-0065	2
-	Nozzle 0007 (HX-0191)	18-0007	2
-	Nozzle 1507 (HX-0191)	18-0008	2
-	Nozzle 2507 (HX-0191)	18-0009	2
-	Nozzle 4007 (HX-0191)	18-0032	2

S.S. PANELS (HX 0187)



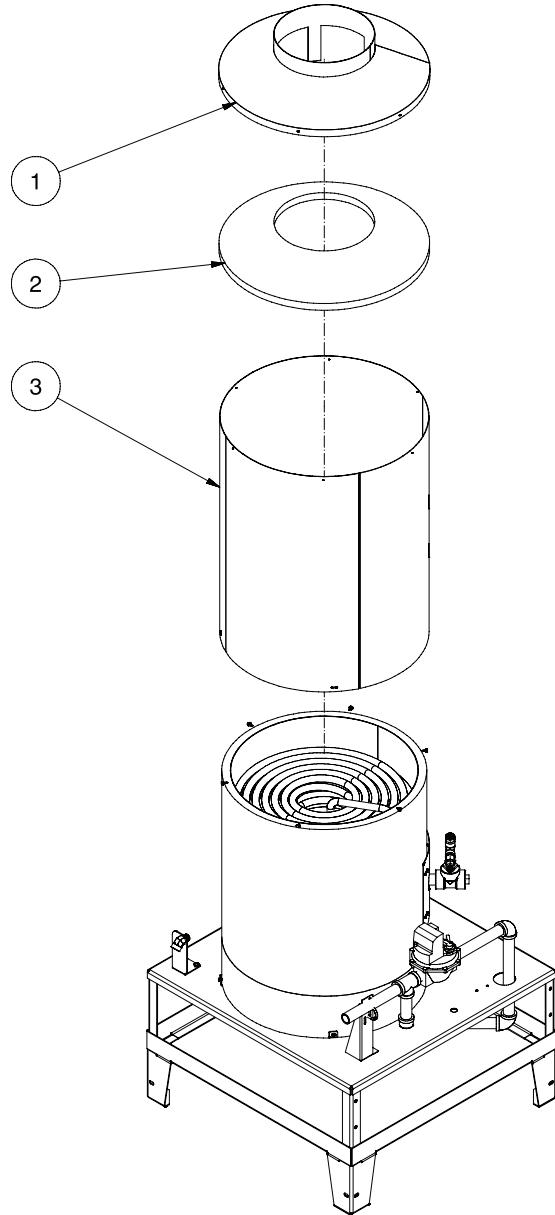
HX-0187 HEG-3008 S.S. PANELS 010207-PO

HX-0187 HEG-3008 SS PANELS-010207-PO

S.S. PANELS

REF. #	DESCRIPTION	PART #	QTY.
1	Panel-Coil Side S.S.	850-0374	2
2	Belt Side Cover	850-0372	3
3	Fastner	33-0197	9
4	O-Ring	25-0209	9
5	Isolation Plate Cover	21-0242	1
6	Isolation Plate Back	21-0243	1
7	Panel-Left Frame Side	850-0373	1

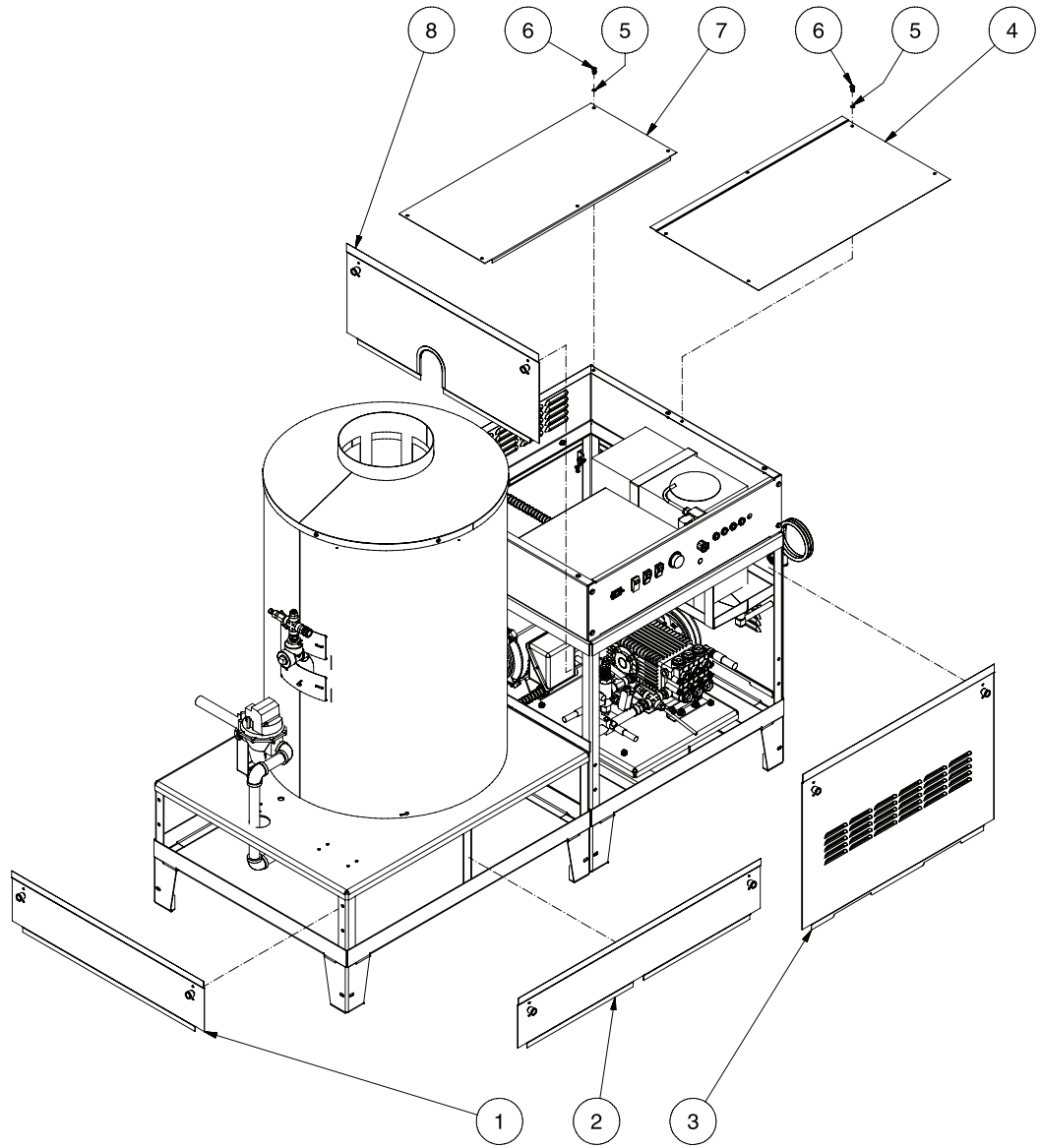
SS WRAP (HX-0188)



HX-0188-HEG-3008 SS WRAP 091305-RZ

S.S. WRAP (HX-0188)			
REF. #	DESCRIPTION	PART #	QTY.
1	Exhaust Dome Assy	20-0935A18	1
2	Insulation Dome	850-0397	1
3	SS Wrap	21-0246	1

SS PANELS (HX-0193)



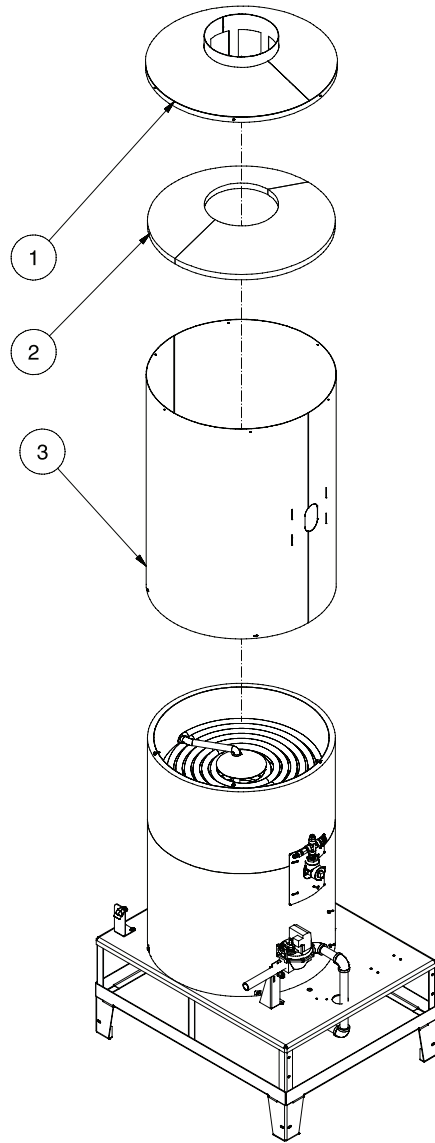
HX-0193 HEG-2010 SS PANELS-041307-PO

S.S. PANELS (HX-0193)

REF. #	DESCRIPTION	PART #	QTY.
1	Panel-Coil Side	850-0374	1
2	Panel-Side Cover	850-0375	1
3	Belt Side Cover	850-0372	3
4	Isolation Plate Cover	21-0242	1
5	O-Ring	25-0209	9
6	Fastener	33-0197	9
7	Isolation Plate	21-0243	1
8	Panel-Left Frame Side	850-0373	1

HX-0193 HEG-2010 S.S. PANELS
041307-PO

SS WRAP (HX-0194)

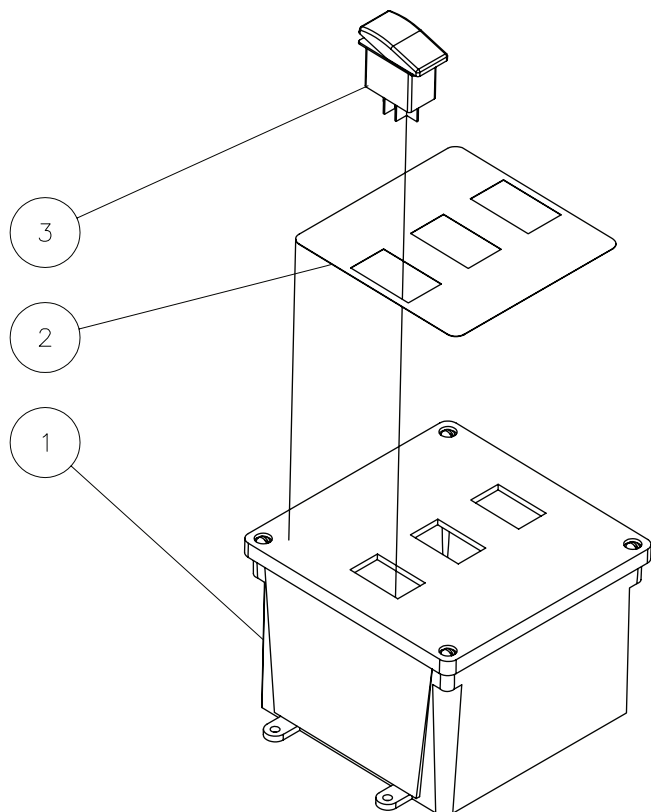


HX-0194 HEG-2010 SS WRAP-122106-PO

SS WRAP			
REF. #	DESCRIPTION	PART #	QTY.
1	Exhaust Dome Assy	20-0928A18	1
2	Dome	850-0634	2
3	Coil SS Wrap	21-0248	1

HX-0194 HEG-2010 S.S. WRAP 041307-
PO

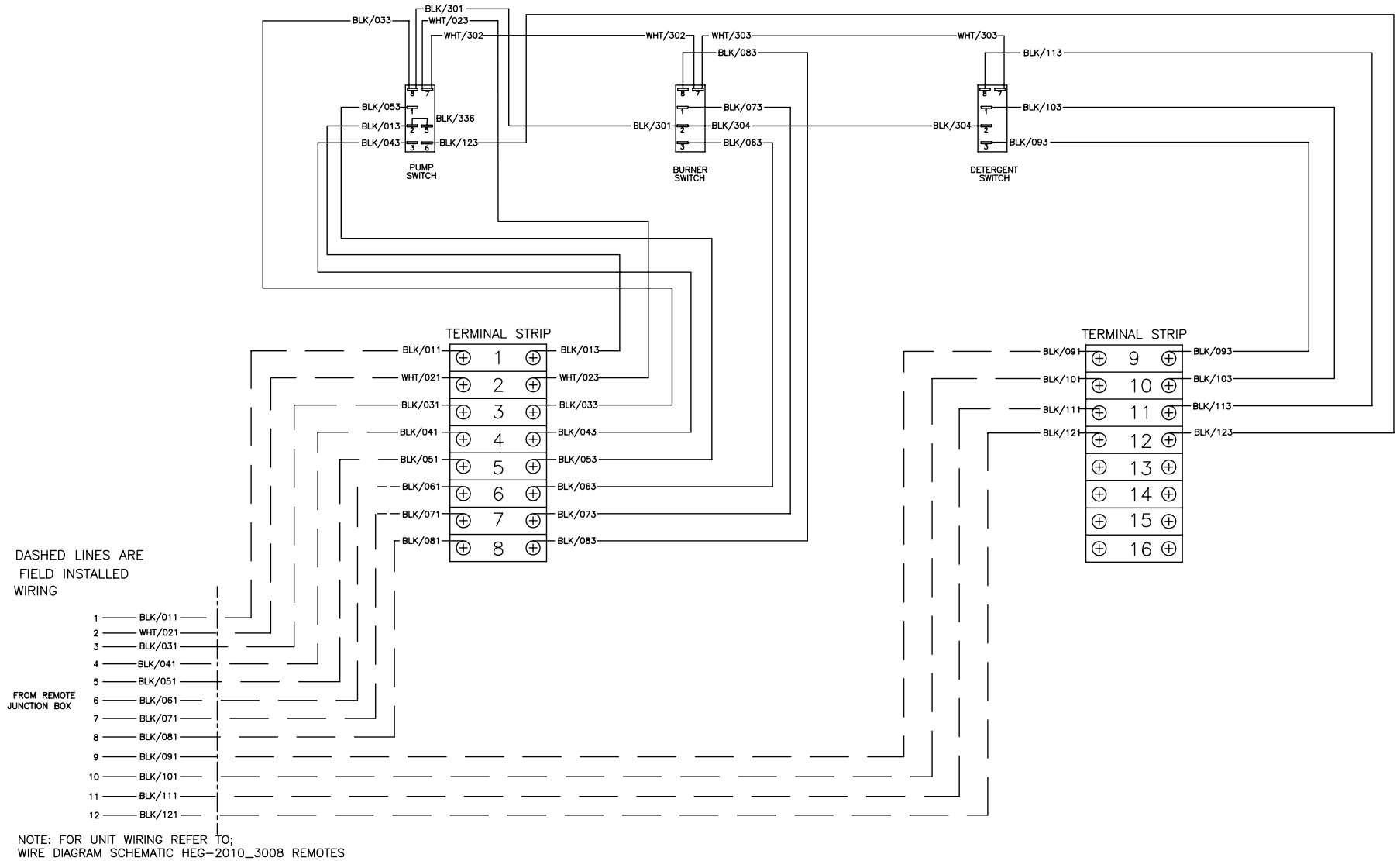
REMOTE BOX ASSY



HEG REMOTE BOX ASSY-020107-PO

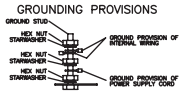
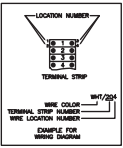
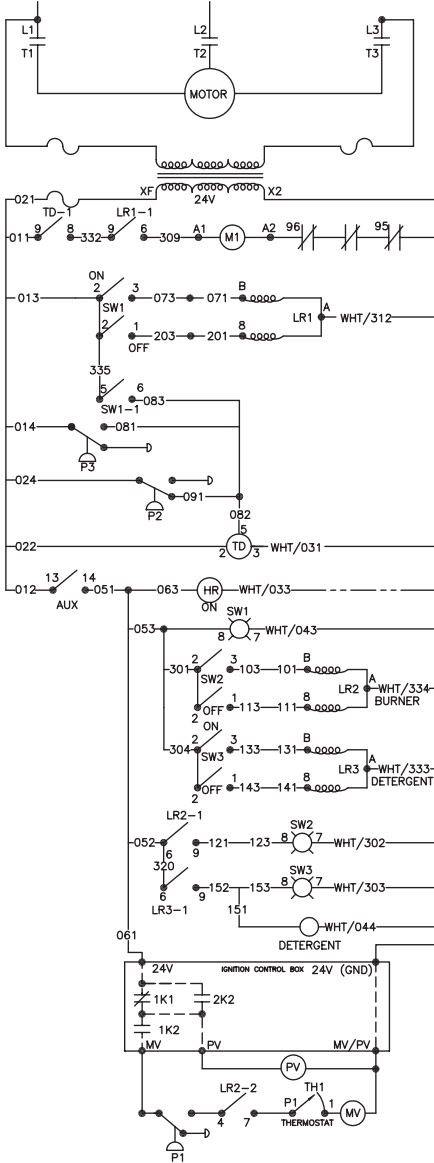
REMOTE BOX ASSEMBLY (HX-0108, HX-0109, HX-0110, HX-0124, HX-0182, HX-0183)			
REF. #	DESCRIPTION	PART #	QTY.
1	Remote Box	32-0702	1
2	Decal- Remote Box	34-1296	1
3	Rocker Switch	32-0732	3

REMOTE BOX WIRING



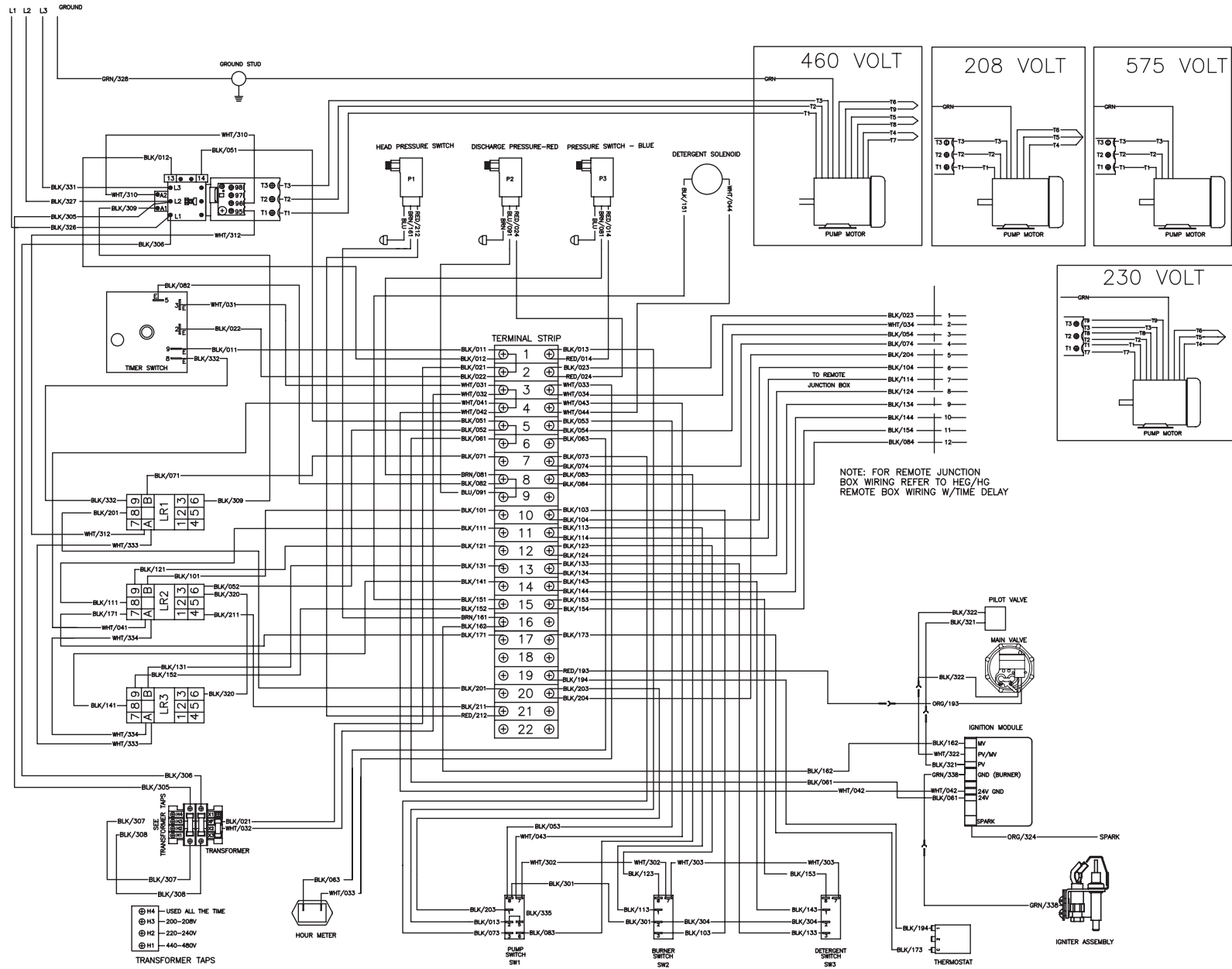
WIRE DIAGRAM SCHEMATIC REMOTE BOX WIRING

WIRING SCHEMATIC WITH AUTO START STOP AND REMOTES



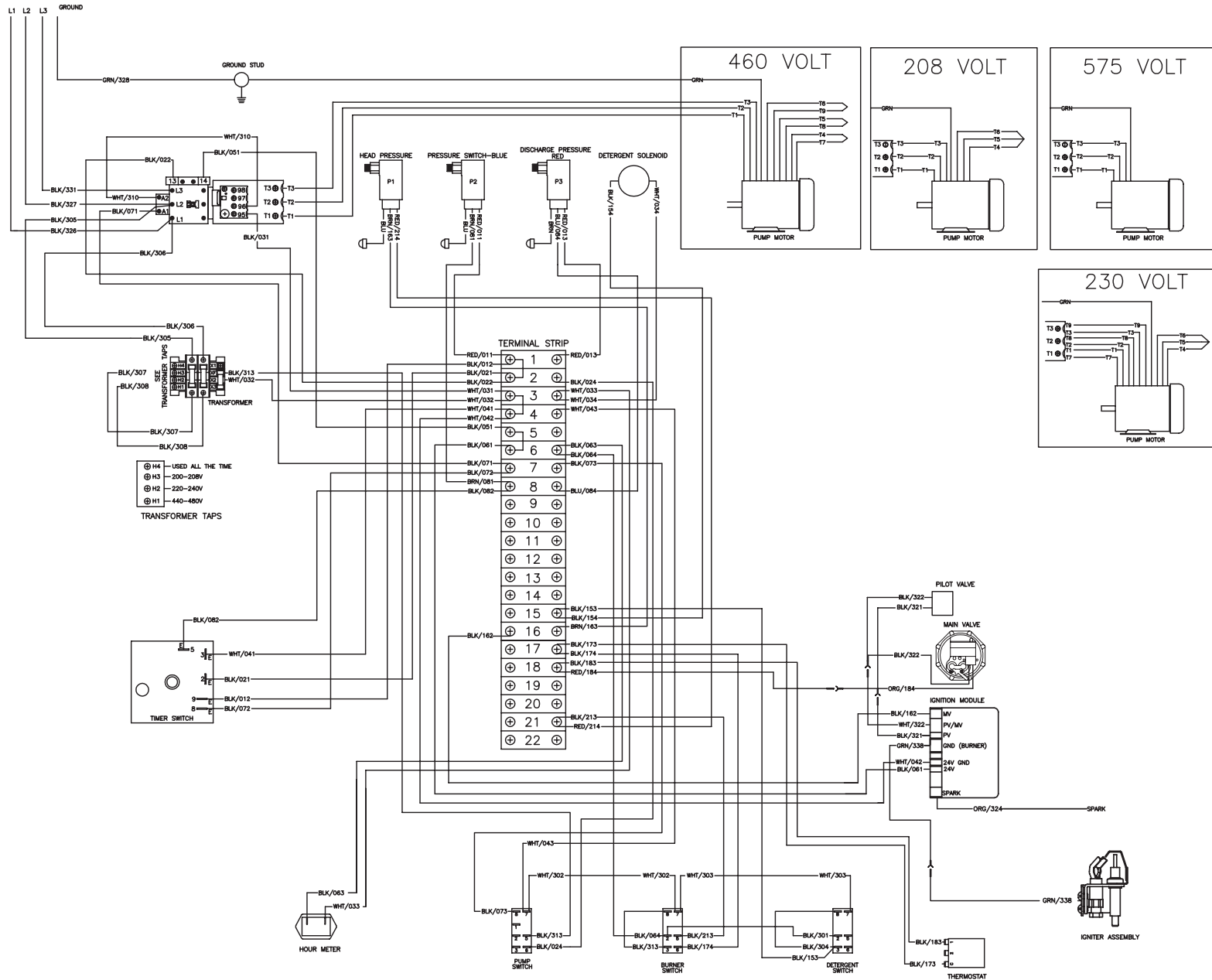
WS HEG-3008_2010 AUTO START STOP AND REMOTES 062507

WIRE DIAGRAM WITH AUTO START STOP AND REMOTES



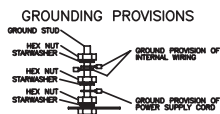
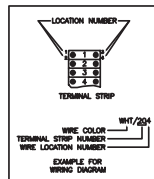
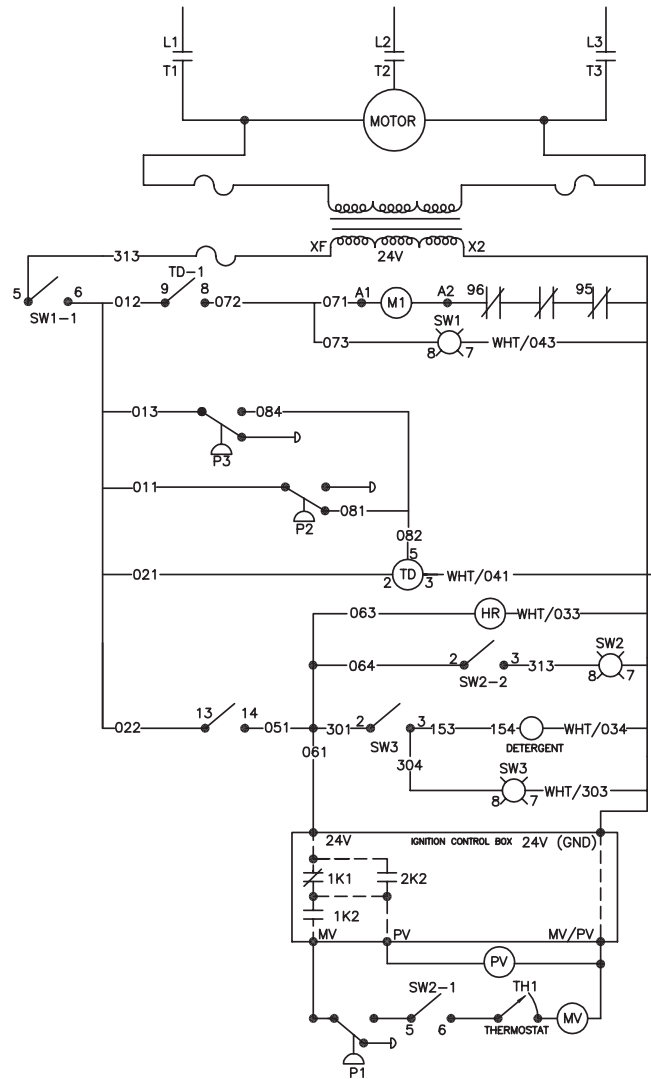
NOTE: FOR REMOTE JUNCTION BOX WIRING REFER TO HEG/HG REMOTE BOX WIRING W/TIME DELAY

WIRE DIAGRAM WITH AUTO START STOP



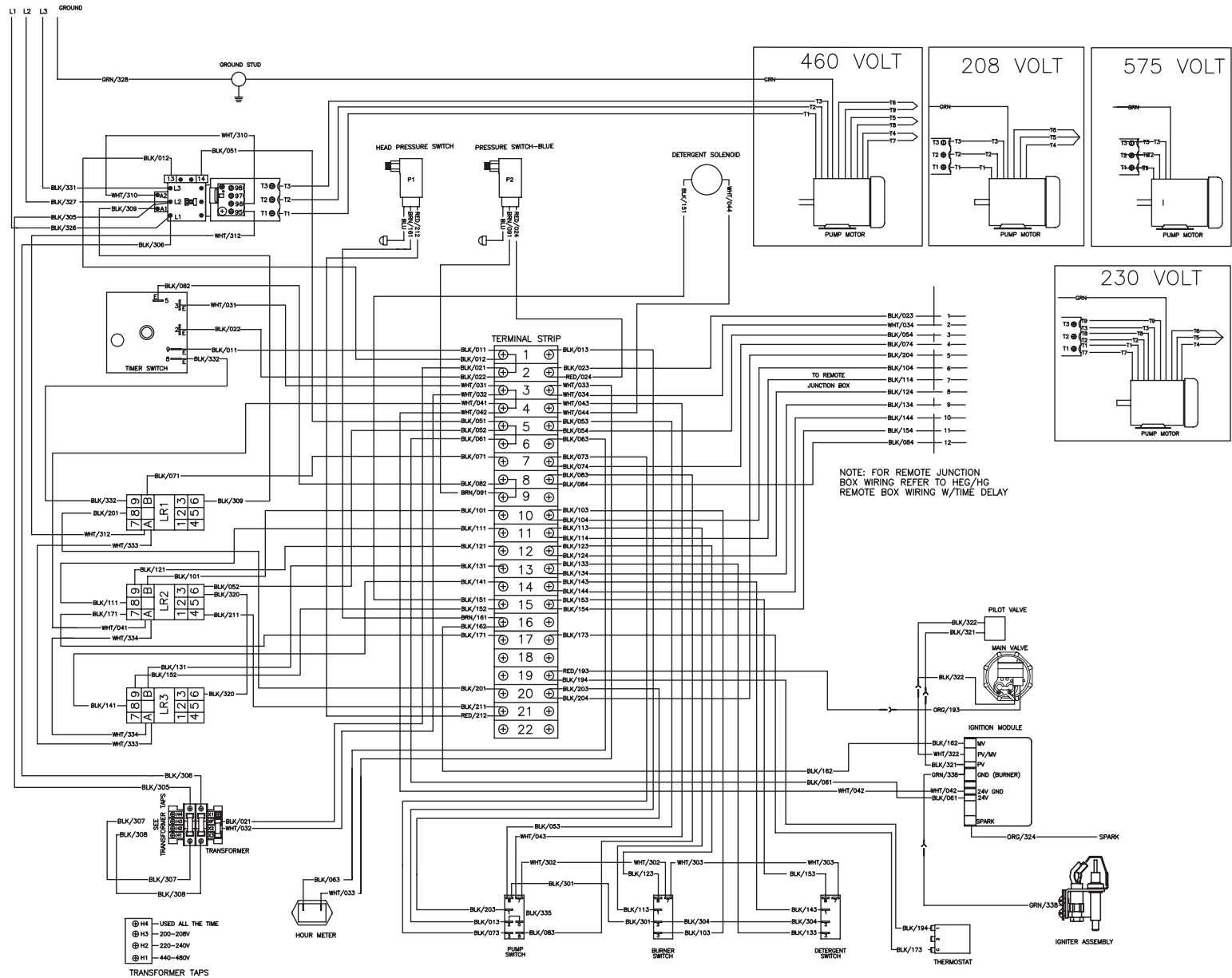
WD HEG-3008_2010_3010 W AUTO START STOP 062707

WIRE SCHEMATIC WITH AUTO START STOP



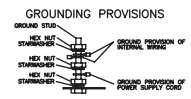
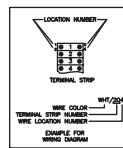
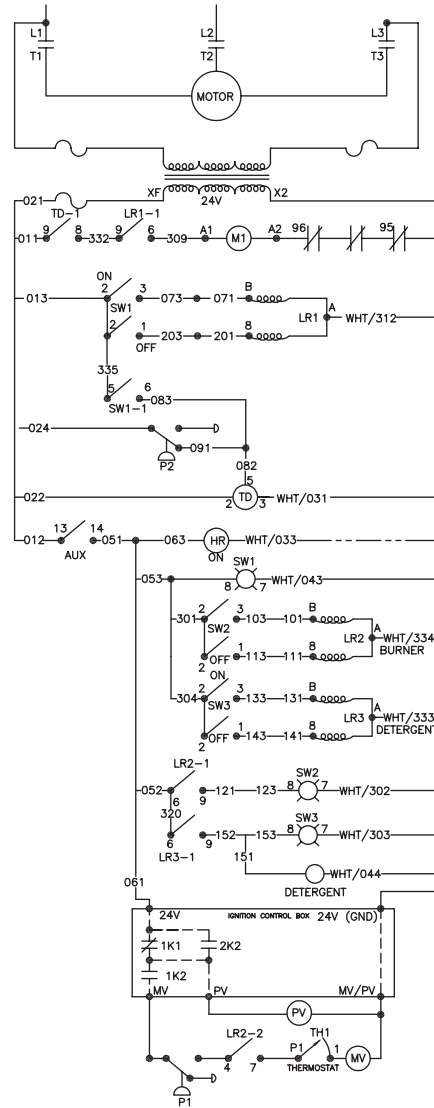
WS HEG-3008_2010_3010 W AUTO
 START STOP 062707

WIRE DIAGRAM WITH REMOTES



WD HEG-3008_2010 REMOTES 062507

WIRE SCHEMATIC WITH REMOTES



WS HEG-3008_2010 REMOTES 062507

