

# PARTS LIST FOR ***HMT SERIES***

ENGINE OIL GRADE:	SAE10W-30
PUMP OIL GRADE:	SAE 20 or 30 Non-Detergent
FUEL NOZZLE:	2.00 80° B Delavan
PUMP OIL CAPACITY:	37 oz. / 1.1 L
BTU INPUT:	343,000
PRESSURE NOZZLE SIZE:	3.7

This Parts Listing has been compiled for your benefit. You can be assured your hot water pressure washer was constructed and designed with quality and performance in mind. Each component has been rigorously tested to insure the highest level of quality.

The contents of this Parts Listing are based on the latest product information available at the time of publication. The manufacturer reserves the right to make changes in price, color, materials, equipment, specifications or models at any time without notice.

### **WARNING**

THIS IS A PROFESSIONAL HIGH PRESSURE, HOT WATER PRESSURE WASHER. CAUTION SHOULD BE OBSERVED WHEN USING OR REPAIRING THIS UNIT! READ AND FOLLOW THE SAFETY WARNINGS LISTED BELOW BEFORE ATTEMPTING ANY REPAIRS ON THIS PRESSURE WASHER!

### **SAFETY WARNINGS**

1. NEVER alter or modify the equipment. Be sure any accessory items and system components being used will withstand the pressure developed. Use only genuine manufacturer parts for repair of your pressure washer. Failure to do so can cause hazardous operating conditions and will VOID warranty.
2. NEVER make adjustments on machinery while the unit is connected to the engine without first removing the ignition cable from the spark plug. Turning over the machinery by hand during adjustment or cleaning might start the engine and machinery with it, causing serious injury to the operator.
3. Know how to stop and bleed pressures quickly. Be thoroughly familiar with controls.
4. Before servicing the unit, turn unit off, relieve the water pressure and allow the unit to cool down. Do not make repairs while the unit is running. Service in a clean, dry, flat area. Block the wheels to prevent the unit from moving. Be especially careful to properly dispose of any flammable materials.
5. After operating the machine, DO NOT leave the pressurized unit unattended. Shut off the unit and release trapped pressure before leaving.

## Table of Contents

<b>SPECIFICATIONS.....</b>	<b>4</b>
<b>NOTES .....</b>	<b>5</b>
<b>HMT FLOW CHART.....</b>	<b>6</b>
<b>GENERAL THEORY OF OPERATION .....</b>	<b>7</b>
<b>PANEL AND STORAGE ASSEMBLY .....</b>	<b>8</b>
<b>TRAILER UNIT ASSEMBLY .....</b>	<b>10</b>
<b>ISOLATION PLATE ASSEMBLY .....</b>	<b>12</b>
<b>PUMP ASSEMBLY (3-0203) .....</b>	<b>14</b>
<b>CASTER ASSEMBLY .....</b>	<b>16</b>
<b>BURNER FUEL TANK .....</b>	<b>17</b>
<b>ELECTRIC BOX ASSEMBLY .....</b>	<b>18</b>
<b>HEAT EXCHANGER ASSEMBLY.....</b>	<b>20</b>
<b>BURNER ASSEMBLY (4-0021) .....</b>	<b>22</b>
<b>UNLOADER ASSEMBLY (8-0361) .....</b>	<b>24</b>
<b>PRESSURE SWITCH (22-0243).....</b>	<b>26</b>
<b>GUN/WAND/HOSE ASSEMBLY.....</b>	<b>28</b>
<b>DUAL LANCE ASSEMBLY (16-0417) .....</b>	<b>30</b>
<b>WIRING SCHEMATIC .....</b>	<b>32</b>
<b>WIRING DIAGRAM.....</b>	<b>33</b>
<b>WIRING SCHEMATIC KEY SWITCH .....</b>	<b>34</b>
<b>HIGH PRESSURE HOSE REEL OPTION (TX-0020).....</b>	<b>36</b>

## SPECIFICATIONS

<b>MODEL NUMBER</b>	<b>HMT-4004-OMGH</b>
<b>Operating Pressure (PSI/Bar)</b>	4000 / 275.8 (+/-5%)
<b>Water Volume (GPM/lpm)</b>	3.7 / 14.0 (+/-5%)
<b>Outlet Water Temperature (F/C)</b>	130°F / 54°C (+/- 10°F) rise above inlet ambient (210°F / 99°C maximum)
<b>High Pressure Nozzle</b>	3.7
<b>Engine</b>	Honda
Horsepower	GX390
Engine Type	4 Stroke, Overhead Valve, Single Cylinder
Oil Type	SAE10W-30
Oil Capacity (oz. / liter)	37 / 1.1
Low Oil Protection	Oil Alert™
Fuel Type	Unleaded Gasoline 86 Octane Minimum
Fuel Capacity (Gal. / liter)	1.7 / 6.5
Starting	12 Volt Electric
Battery	BCI Group 24DC, RV / Marine Dual Purpose Deep Cycle / Cranking Battery
Maximum No Load RPM	3600 (+/- 100)
<b>High Pressure Pump</b>	Belt Driven, Oil Bath, Triplex Piston
Oil Type	SAE20 or 30 Non-Detergent
Oil Capacity (oz. / liter)	41 / 1.2
Plungers	Ceramic
Manifold	Forged Brass
Valves	Stainless Steel
Unloader	Pressure Trapping - Preset at the factory
Heat Dump Valve	Relieves heated water during unloader bypass stage
<b>Water System</b>	
Inlet Water Strainer	Removable thimble for inspection and cleaning of stainless steel screen
Heat Dump Valve	Protects pump against damaging heat in recirculated and inlet water
<b>Burner Fuel System</b>	
Fuel Type	No 1 or No 2 Fuel Oil, Diesel or Kerosene
Fuel Capacity (Gal. / liter)	10 / 37.8
Fuel Filter/ Water Separator	Spin on (10 micron) filter / E-Z water drain
Fuel Pump	Two Line, Single Stage
Fuel Pressure (PSI / BAR)	150 / 10.4
Fuel Nozzle	2.00 80° B Delavan
Fuel Consumption (GPH / LPH)	2.45 / 9.27 Cont. Burning
<b>Burner Electrical System</b>	
Voltage	12
Amps	16.0
<b>Heat Exchanger</b>	Horizontal, Side Fired, Pancake Coil
BTU Input	343,000
Efficiency	75% with #2 Fuel Oil / Diesel
Smoke Density	0-3 Per ASTM D2156
<b>Safety System</b>	
Pressure Switch	Shuts off burner fuel supply upon trigger release
Fuel Solenoid	12 Volt, controls fuel supply to burner
Safety Relief	Relieves excess system pressure
<b>Unit Net Weight (Lbs/kg)</b>	910 / 413
<b>Unit Shipping Weight (Lbs/kg)</b>	1125 / 511
<b>Unit Net Dimensions (In/cm)</b>	104L x 44.5W x 36H / 264.2L x 113.1W x 91.5H
<b>Unit Dimensions-Folded Tongue (In/cm)</b>	78L x 44.5W x 36H / 198.1L x 113.1W x 91.5H
<b>Unit Shipping Dimensions (In/cm)</b>	89L x 49W x 50H / 226.1L x 124.5W x 127H

---

**NOTES**



## GENERAL THEORY OF OPERATION

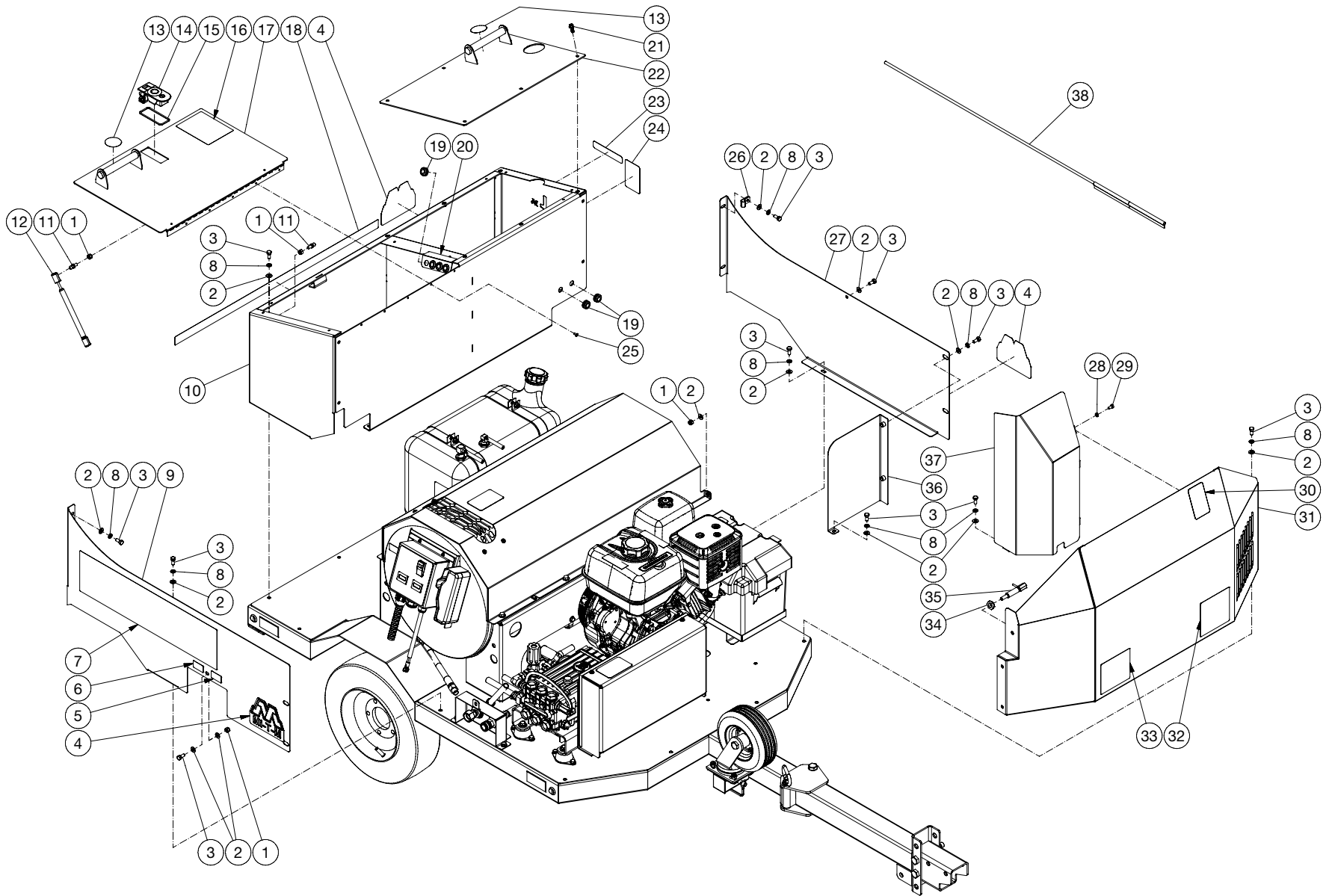
**WATER FLOW:** Connect a pressurized water source to the INLET GARDEN HOSE CONNECTION (1) and turn on the water supply. Water is fed through a filter on the INLET GARDEN HOSE CONNECTION (1) and into a TRIPLEX HIGH PRESSURE PUMP (2) which has an UNLOADER (5) that bypasses the water when the trigger gun is closed. To protect the pump from heated water during bypass stage, a HEAT DUMP VALVE (4) will open at 140° F/60° C allowing the heated water to escape. The Heat Dump Valve automatically resets when the water cools. The EASY START VALVE (3) will allow the engine to start without a load. The water recirculates until pressure builds up and forces the seat closed. The BURNER CONTROL PRESSURE SWITCH (6) controls the fuel supply to the burner.

From there, the water flows through HEAT EXCHANGER INLET (12) where it is heated when the burner is on. As the water exits the HEAT EXCHANGER OUTLET (13), it enters a safety system which protects the operator from danger. The system also contains a HI-LIMIT TEMPRATURE SWITCH (14) which senses the water temperature and shuts off the fuel supply to the burner if the water gets too hot. If the unloader fails to bypass water or the burner remains on when the trigger gun is closed, the SAFETY RELIEF (15) will relieve and allow water to exit safely.

The heated water then flows through the HIGH PRESSURE HOSE (16) and to the TRIGGER GUN ASSEMBLY (17) which allows the operator to control the water spray. When the trigger gun is open, the water flow through the ADJUSTABLE PRESSURE DUAL LANCE (18) and exits the NOZZLE (19).

**FUEL FLOW:** The Fuel Pump draws fuel from the FUEL TANK (7) through a replaceable FUEL FILTER/WATER SEPARATOR (8) and into the FUEL PUMP (9). Fuel exits the fuel pump, into a FUEL SOLENOID VALVE (10) which controls fuel flow to the FUEL NOZZLE (11) where it ignites and burns in the heat exchanger.

# PANEL AND STORAGE ASSEMBLY

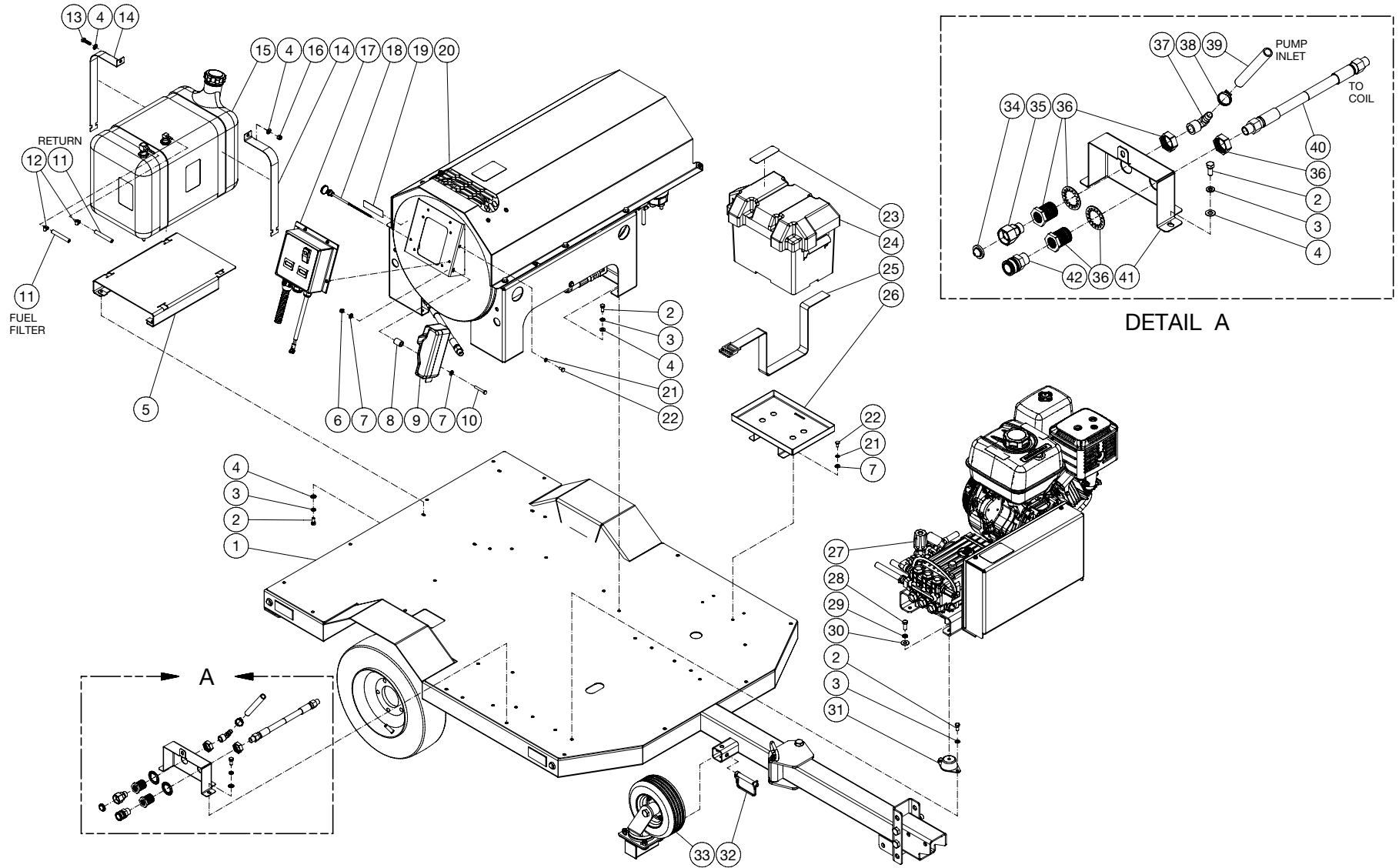


HW TRAILER PANEL\_STORAGE ASSEMBLY 020620



HW TRAILER PANEL STORAGE ASSEMBLY 020620 CH			
PANEL STORAGE ASSEMBLY			
ITEM	TITLE	PART #	QTY
1	LOCKNUT	30-0157	4
2	WASHER	28-0003	30
3	BOLT	27-0066	28
4	DECAL - Mi-T-M (SEE 71-3005)	34-2169	3
5	DECAL - OUTLET (SEE 71-3005)	N/A	1
6	DECAL-INLET (SEE 71-3005)	N/A	1
7	DECAL - OPERATION/WARNING (SEE 71-3005)	N/A	1
8	LOCKWASHER	29-0007	26
9	PASSENGER SIDE PANEL	20-1605A18	1
10	STORAGE CABINET	20-1610A18	1
11	BALL STUD	33-0444	2
12	CYLINDER/GAS SPRING	33-0642	1
13	DECAL - DO NOT LIFT (SEE 71-3005)	N/A	2
14	LATCH	33-0579	1
15	GASKET	33-0581	1
16	DECAL - CAUTION/WARNING/DANGER (SEE 71-3005)	N/A	1
17	TOOLBOX DOOR	20-1611A18	1
18	DECAL - STRIPE	34-3847	1
19	GROMMET	33-0001	6
20	DECAL - NOZZLES (SEE 71-3005)	N/A	1
21	BOLT	27-1200	6
22	COVER	20-1612A18	1
23	DECAL - DIESEL ONLY (SEE 71-3005)	N/A	1
24	DECAL-CAUTION RISK OF FIRE (SEE 71-3005)	N/A	1
25	RIVET	53-0009	5
26	CLIP	43-0003	2
27	DRIVER SIDE PANEL	20-1604A18	1
28	LOCKWASHER	29-0006	3
29	BOLT	27-0014	3
30	DECAL - WARNING HOT SURFACES (SEE 71-3005)	N/A	1
31	FRONT PANEL	20-1606A18	1
32	DECAL - SPEED LIMIT (SEE 71-3005)	N/A	1
33	DECAL - CAUTION (SEE 71-3005)	N/A	1
34	LOCKNUT	30-0117	1
35	SPRING PLUNGER	43-0172	1
36	SIDE DIVERTER	56-0099	1
37	CENTER DIVERTER	56-0100	1
38	FLAG	850-0446	1
-	DECAL SET	71-3005	1

# TRAILER UNIT ASSEMBLY

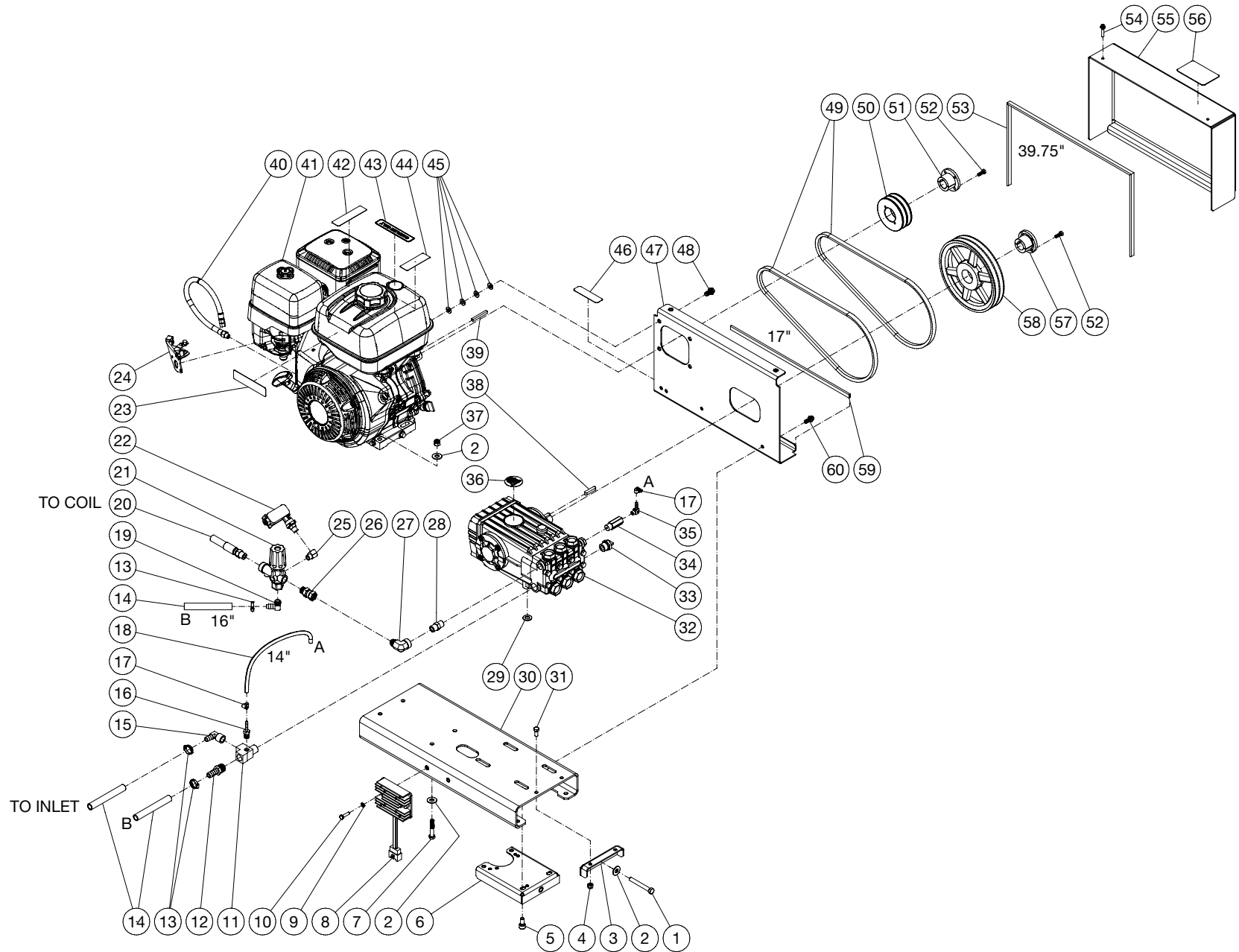


HW TRAILER UNIT ASSEMBLY 020620 CH

HW TRAILER UNIT ASSEMBLY 020520 CH			
TRAILER UNIT ASSEMBLY			
ITEM	TITLE	PART #	QTY
1	TRAILER	61-0014	1
2	BOLT	27-0066	23
3	LOCKWASHER	29-0007	23
4	WASHER	28-0003	19
5	RISER	20-1608A18	1
6	LOCKNUT	30-0155	1
7	WASHER	28-0002	6
8	SPACER	33-0425	1
9	KEY SWITCH	N/A	1
10	BOLT	27-0019	1
11	FUEL HOSE *(SEVEN FEET REQUIRED)	15-0008	1
12	CLAMP WORM	42-0004	2
13	BOLT	27-0068	2
14	TANK STRAP	20-1607A18	4
15	BURNER FUEL TANK ASSEMBLY	N/A	1
16	LOCKNUT	30-0157	2
17	ELECTRIC BOX ASSEMBLY	N/A	1
18	CHOKE CABLE	33-0081	1
19	DECAL - CHOKE (SEE 71-3005)	N/A	1
20	HEATER COIL ASSEMBLY	N/A	1
21	LOCKWASHER	29-0006	5
22	BOLT	27-0014	5
23	DECAL - RISK OF INJURY (SEE 71-3005)	N/A	1
24	BATTERY BOX	33-0093	1
25	STRAP	33-0089	1
26	BATTERY TRAY	20-1135A18	1
27	ISOLATION PLATE ASSEMBLY	N/A	1
28	BOLT	27-0117	4
29	LOCKWASHER	29-0008	4
30	WASHER	28-0023	4
31	ISOLATOR	14-0109	4
32	PIN	43-0173	1
33	CASTER ASSEMBLY	N/A	1
34	FILTER	19-0001	1
35	GARDEN HOSE ASSY.	23-0095	1
36	ADAPTER	23-0365	2
37	HOSE BARB	23-0418	1
38	HOSE CLAMP	42-0011	1
39	HOSE *(ONE FOOT REQUIRED)	15-0007	1
40	HOSE	15-0197	1
41	BRACKET	20-1609A18	1
42	QUICK CONNECT SOCKET	17-0029	1
-	DECAL SET	71-3005	1

\*MUST ORDER IN ONE FOOT LENGTHS

# ISOLATION PLATE ASSEMBLY



TRAILER ISOLATION PLATE ASSEMBLY 020720 CH

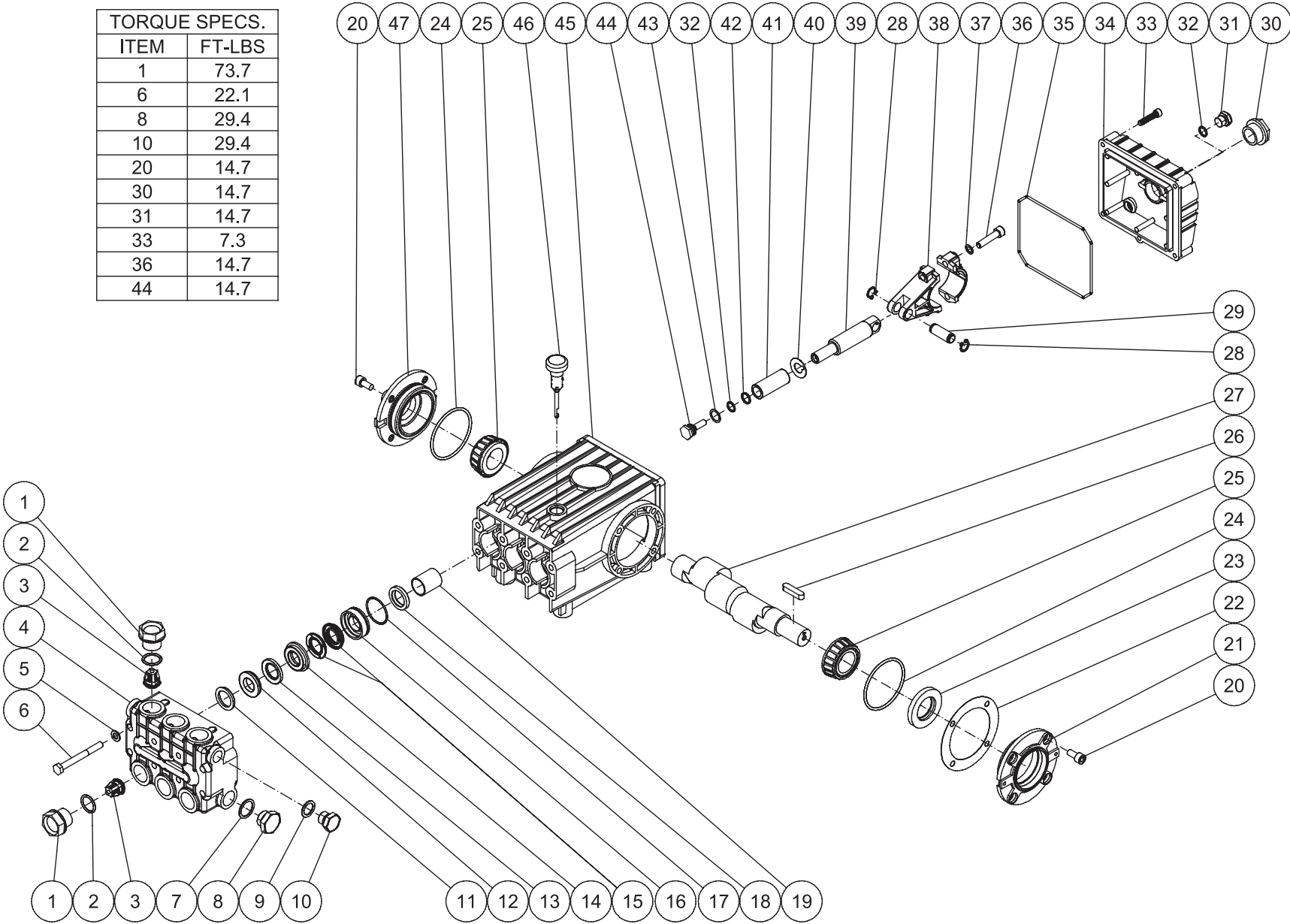
## ISOLATION PLATE ASSEMBLY

ITEM	TITLE	PART #	QTY	ITEM	TITLE	PART #	QTY
1	BOLT	27-0576	1	32	PUMP	3-0203	1
2	WASHER	28-0023	9	33	RELIEF VALVE	22-0005	1
3	TIGHTENER BRACKET	21-0294	1	34	EASY START VALVE	22-0242	1
4	LOCKNUT	30-0157	2	35	ELBOW	23-0501	1
5	BOLT	27-8462	4	36	DECAL - PUMP	N/A	1
6	TIGHTENER BRACKET	21-0295	1	37	LOCKNUT	30-0159	4
7	BOLT	27-0121	4	38	PUMP KEY	43-0091	1
8	RECTIFIER	W/ ENGINE	1	39	KEY	43-0078	1
9	LOCKWASHER	29-0006	2	40	OIL DRAIN HOSE	70-0358	1
10	BOLT	27-0016	2	41	ENGINE - HONDA	1-0191	1
11	STREET TEE	23-0388	1	42	DECAL - RISK OF BURNS (SEE 71-3005)	N/A	1
12	BARB	23-0045	1	43	DECAL - GASOLINE ONLY (SEE 71-3005)	N/A	1
13	HOSE CLAMP	42-0011	3	44	DECAL - RISK OF FIRE (SEE 71-3005)	N/A	1
14	HOSE *(TWO FEET REQUIRED)	15-0007	1	45	WASHER	28-0003	8
15	HOSE BARB	23-0418	1	46	DECAL - BELTGUARD IN PLACE (SEE 71-3005)	N/A	1
16	BARB	23-0051	1	47	BELTGUARD BACK	6-0148	1
17	CLAMP WORM	42-0004	2	48	BOLT	27-9601	2
18	HOSE *(TWO FEET REQUIRED)	15-0079	1	49	BELT	11-0030	2
19	ELBOW	23-0119	1	50	SHEAVE	10-0074	1
20	HIGH PRESSURE HOSE	15-0194	1	51	BUSHING	9-0005	1
21	UNLOADER	8-0361	1	52	BOLT	27-0015	4
22	PRESSURE SWITCH	22-0243	1	53	EDGING *(FOUR FEET REQUIRED)	33-0020	1
23	DECAL - 4000 PSI	N/A	1	54	BOLT	27-8898	2
24	CHOKE ADAPTER	70-0595	1	55	BELTGUARD FRONT	6-0179	1
25	ELBOW	23-0014	1	56	DECAL - WARNING; RISK OF INJURY (SEE 71-3005)	N/A	1
26	SWIVEL	24-0037	1	57	BUSHING	9-0017	1
27	ELBOW	24-0119	1	58	SHEAVE	10-0007	1
28	NIPPLE	24-0010	1	59	EDGING *(TWO FEET REQUIRED)	33-0020	1
29	WASHER	28-0005	4	60	BOLT	27-9524	3
30	ISOLATION PLATE	5-0394	1	-	DECAL SET	71-3005	1
31	BOLT	27-0066	2				

\*MUST ORDER IN ONE FOOT LENGTHS

# PUMP ASSEMBLY (3-0203)

TORQUE SPECS.	
ITEM	FT-LBS
1	73.7
6	22.1
8	29.4
10	29.4
20	14.7
30	14.7
31	14.7
33	7.3
36	14.7
44	14.7

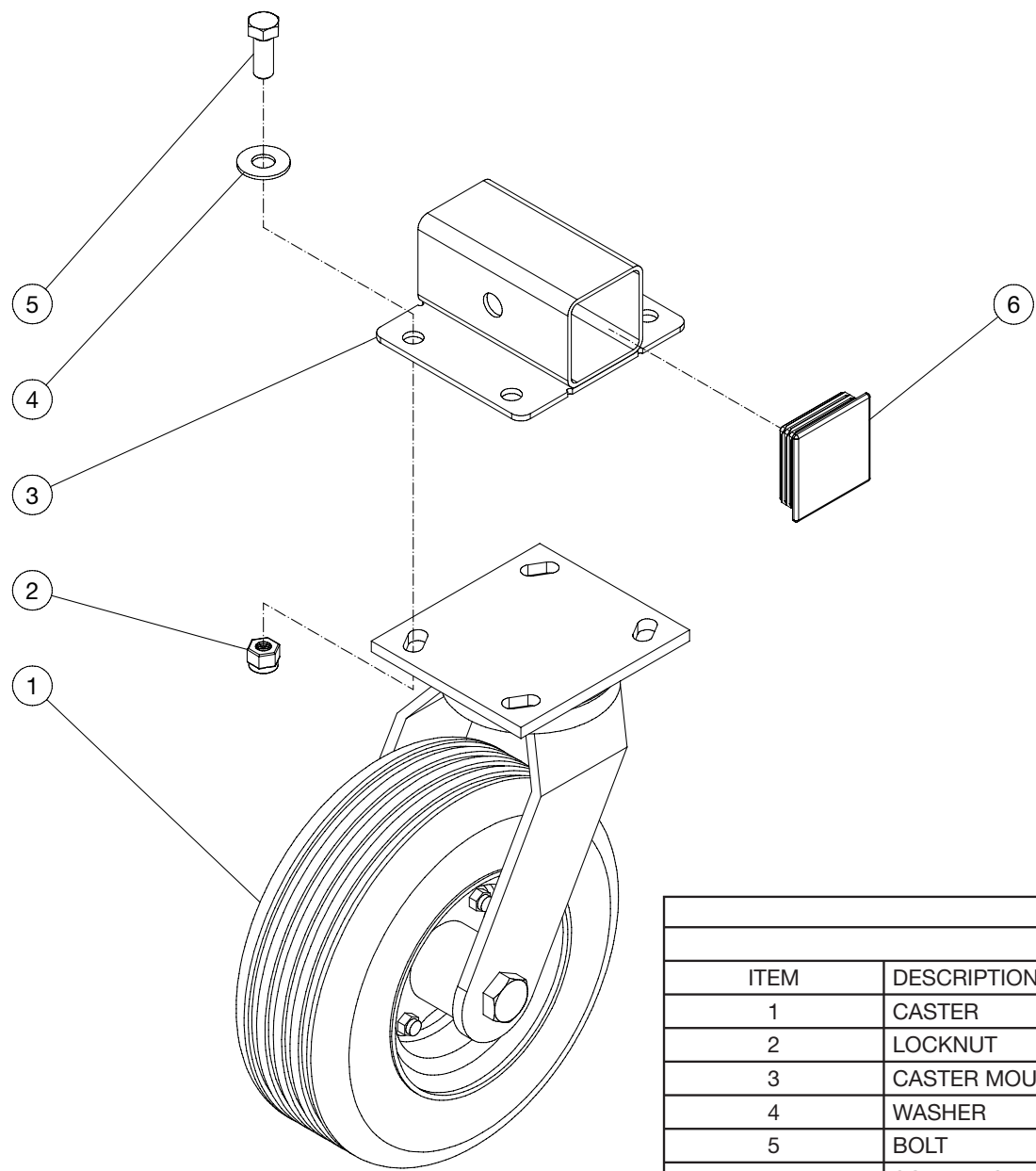


3-0202\_3-0203 042914 CH

PUMP ASSEMBLY								
ITEM	DESCRIPTION	PART #	QTY	ITEM	DESCRIPTION	PART #	QTY	
1	VALVE CAP	46-0889	6	25	BEARING	48-0012	2	
2	O-RING	25-0012	6	26	KEY	43-0048	1	
3	VALVE (SEE KIT 70-0009)	22-0056	6	27	CRANKSHAFT	46-0050	1	
4	MANIFOLD	46-0890	1	28	RETAINING RING	46-0103	6	
5	WASHER	28-1039	8	29	CONNECTING ROD PIN	43-0032	3	
6	BOLT	27-8185	8	30	OIL LEVEL INDICATOR	46-0114	1	
7	WASHER	28-1038	2	31	PLUG	39-0017	1	
8	PLUG	39-0019	2	32	O-RING	25-0014	4	
9	WASHER	28-1002	2	33	BOLT	27-8404	5	
10	PLUG	39-0018	2	34	CRANKCASE OPEN COVER	46-0295	1	
11	HEAD RING (SEE KIT 70-0030 AND 852-0122)	70-0030	3	35	O-RING	25-0339	1	
12	V-PACKING SUPPORT (SEE KIT 70-0147 AND 852-0122)	26-0098	3	36	BOLT	27-8435	6	
13	O-RING (SEE KIT 70-0147 AND 70-0148 AND 852-0122)	25-0207	3	37	LOCKWASHER	29-0154	6	
14	HIGH PRESSURE INTERMEDIATE SEAL RETAINER (SEE KIT 70-0148)	46-0659	3	38	CONNECTING ROD	46-0051	3	
15	PRESSURE SEAL (SEE KIT 70-0147 AND 852-0122)	26-0197	3	39	PISTON ROD	46-0056	3	
16	LOW PRESSURE SEAL RETAINER	46-0057	3	40	SLINGER WASHER	46-0146	3	
17	O-RING (SEE KIT 852-0122)	25-0015	3	41	PLUNGER	46-0052	3	
18	OIL SEAL	26-0047	3	42	BACK-UP RING	46-0109	3	
19	BUSHING	9-0029	3	43	WASHER	28-0400	3	
20	BOLT	27-8431	8	44	NUT / PISTON	46-0069	3	
21	CRANKCASE COVER	46-0296	1	45	CRANKCASE	46-0047	1	
22	SHIM	46-0113	1	46	OIL DIP STICK	46-0144	1	
23	OIL SEAL	26-0049	1	47	CRANKCASE COVER	46-0336	1	
24	O-RING	25-0013	2					

REPLACEMENT KITS				
KIT#	DESCRIPTION	ITEMS	# OF ASSEMBLIES	# OF CYLINDERS
70-0009	VALVES	3	6	3
70-0030	HEAD RING	11	3	3
70-0147	V-PACKING	12, 13, 15	3	3
70-0148	INTERMEDIATE RETAINER	13, 14	3	3
852-0122	V-PACKING ASSY	11-13, 15, 17	3	3

# CASTER ASSEMBLY

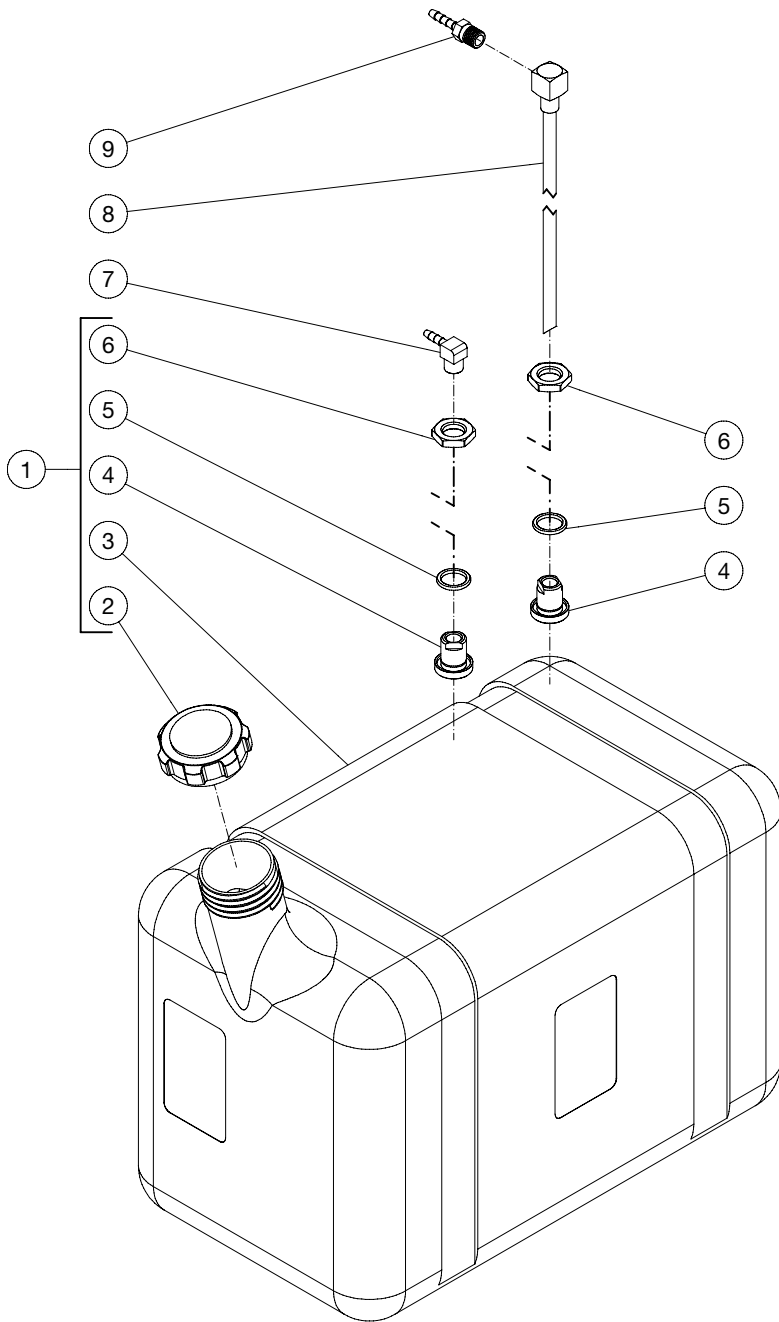


TRAILER CASTER ASSEMBLY 073119 ADR

TRAILER CASTER ASSEMBLY 073119 ADR			
CASTER ASSEMBLY			
ITEM	DESCRIPTION	PART #	QTY
1	CASTER	14-0168	1
2	LOCKNUT	30-0159	4
3	CASTER MOUNT	20-1617A18	1
4	WASHER	28-0023	4
5	BOLT	27-0117	4
6	SQUARE CAP	39-0406	1



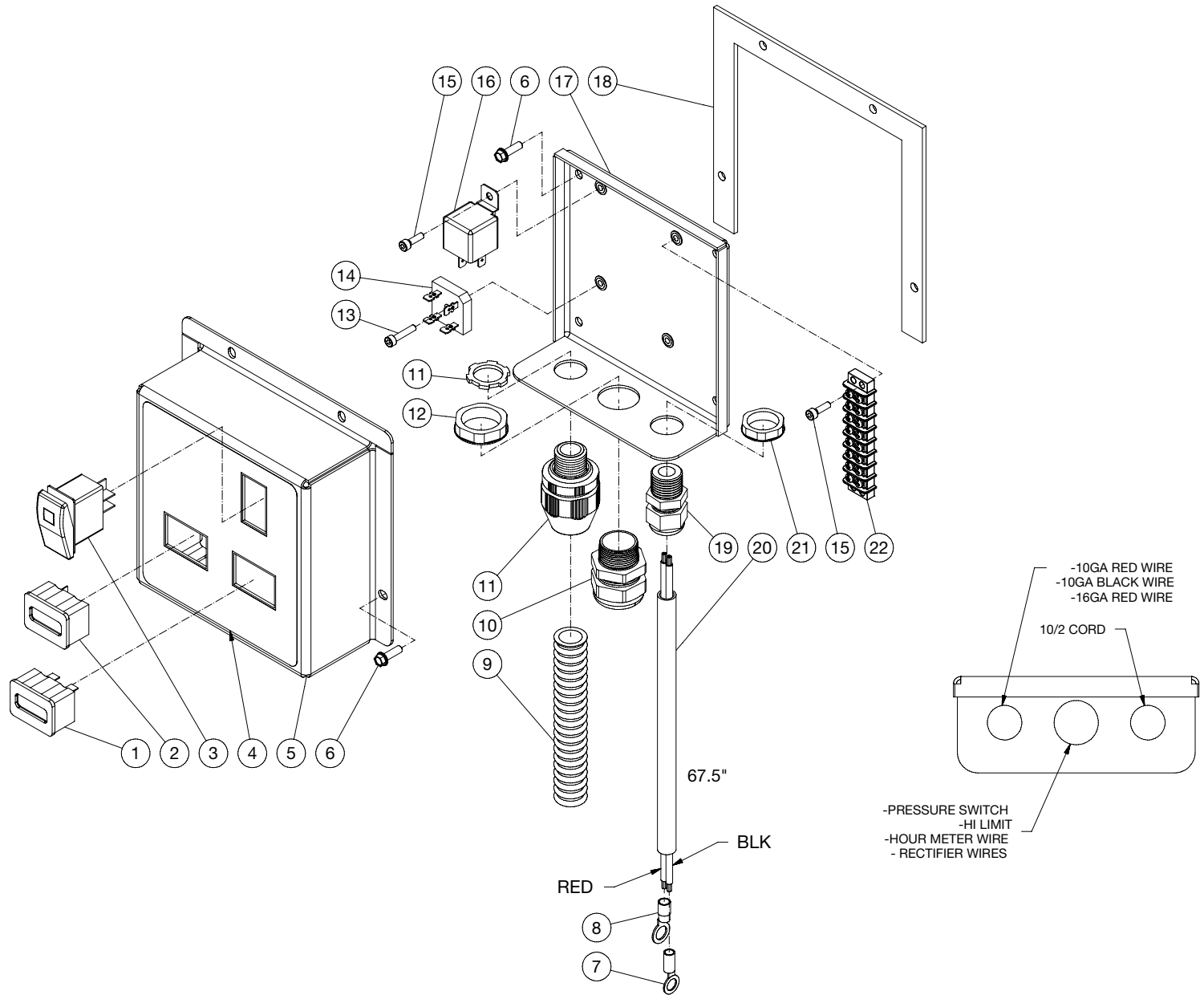
## BURNER FUEL TANK



TRAILER FUEL TANK ASSEMBLY 073119 ADR			
BURNER FUEL TANK			
ITEM	TITLE	PART #	QTY
1	FUEL TANK ASSEMBLY (INC 2-6)	850-0445	1
2	FUEL CAP	12-0033	1
3	FUEL TANK	N/A	1
4	BULKHEAD FITTING	23-0408	2
5	O-RING	25-0427	2
6	NUT	23-0409	2
7	ELBOW	23-0054	1
8	FUEL PICK-UP	33-0352	1
9	BARB	23-0051	1

TRAILER FUEL TANK ASSEMBLY 073119 ADR

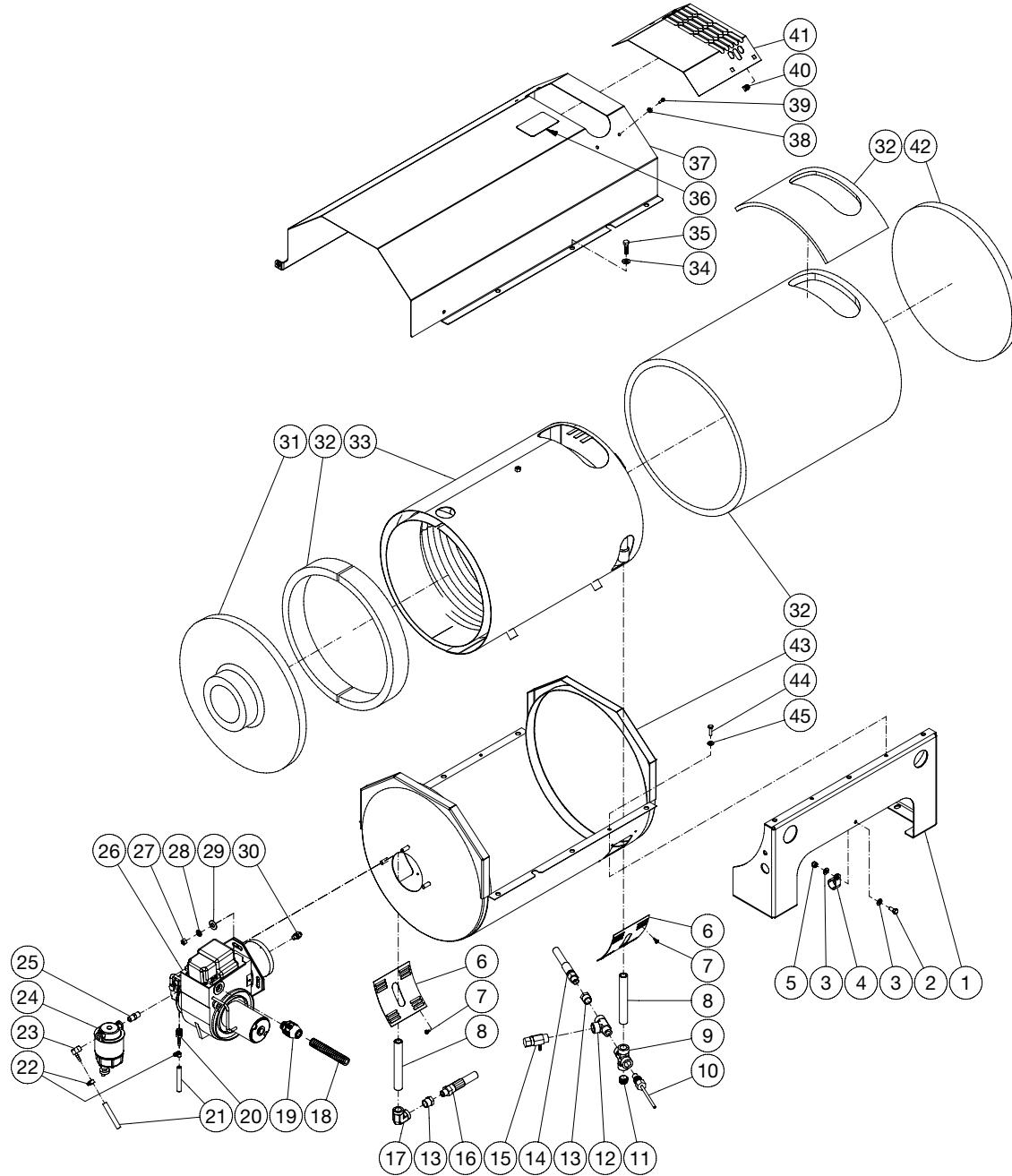
# ELECTRIC BOX ASSEMBLY



TRAILER ELECTRIC BOX ASSEMBLY 020720 CH

TRAILER ELECTRIC BOX ASSEMBLY 020720 CH			
ELECTRIC BOX ASSEMBLY			
ITEM	TITLE	PART #	QTY
1	HOUR METER	32-1271	1
2	HOUR METER/TACH	32-1270	1
3	ROCKER SWITCH W/LAMP	32-0969	1
4	DECAL - SM HW TRAILER ELEC	N/A	1
5	ELECTRIC BOX COVER	20-1618A18	1
6	BOLT	27-9526	8
7	TERMINAL RING	32-0639	1
8	TERMINAL RING	32-1138	1
9	CONDUIT FLEX 1/2" BLACK *(FIVE FEET REQUIRED)	32-0253	1
10	CORD RELIEF	9-0046	1
11	CONDUIT FITTING	32-0255	1
12	ELECTRICAL LOCKNUT	32-0292	1
13	BOLT	27-8930	1
14	BRIDGE RECTIFIER	32-1114	1
15	SCREW	27-8835	3
16	RELAY	32-1182	1
17	ELECTRIC BOX BACK	20-1619A18	1
18	GASKET	26-0384	1
19	STRAIN RELIEF	32-0437	1
20	CORD - 10/2 *(SIX FEET REQUIRED)	32-1226	1
21	ELECTRICAL LOCKNUT	32-0108	1
22	TERMINAL STRIP	32-0436	1
-	DECAL SET	71-3005	1
*MUST ORDER IN ONE FOOT LENGTHS			

# HEAT EXCHANGER ASSEMBLY

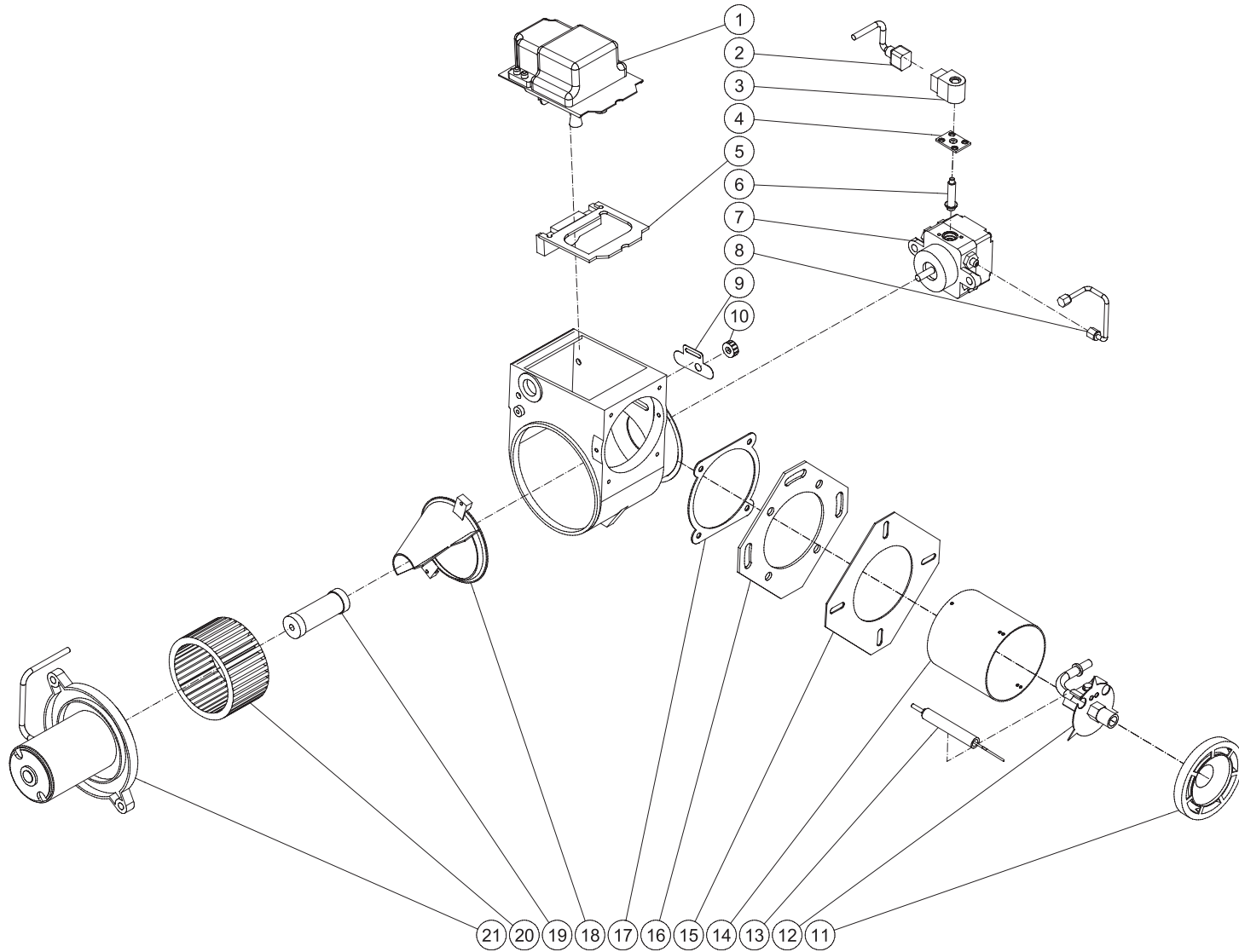


TRAILER HEAT EXCHANGER ASSEMBLY 013020 ADR

TRAILER HEAT EXCHANGER ASSEMBLY 013020 ADR			
HEAT EXCHANGER ASSEMBLY			
ITEM	TITLE	PART #	QTY
1	MOUNT	20-1615A18	2
2	BOLT	27-0066	2
3	WASHER	28-0003	4
4	CLIP	33-0291	2
5	LOCKNUT	30-0157	2
6	PATCH PLATE	20-0537A18	2
7	BOLT	27-3062	8
8	PIPE NIPPLE	24-0254	2
9	CROSS	24-0241	1
10	HI-LIMIT SWITCH	32-0667	1
11	PLUG	24-0338	1
12	STREET TEE	24-0242	1
13	REDUCER BUSHING	23-0016	2
14	HOSE	15-0197	1
15	SAFETY RELEIF VALVE	22-0434	1
16	HIGH PRESSURE HOSE	15-0194	1
17	ELBOW	24-0078	1
18	CONDUIT FLEX 1/2" BLACK *(FIVE FEET REQUIRED)	32-0253	1
19	CONDUIT FITTING- 1/2"	32-0255	1
20	BARB	23-0051	1
21	FUEL HOSE *(SEVEN FEET REQUIRED)	15-0008	1
22	CLAMP WORM	42-0004	2
23	ELBOW	23-0054	1
24	FUEL FILTER / WATER SEPERATOR	19-0070	1
25	NIPPLE	24-0145	1
26	BURNER	4-0021	1
27	NUT	30-0006	3
28	LOCKWASHER	29-0008	3
29	WASHER	28-0023	3
30	FUEL NOZZLE	18-0091	1
31	INSULATION DRUM HEAD	33-0345	1
32	INSULATION BLANKET	850-0314	1
33	COIL	66-0014	1
34	WASHER	28-0004	6
35	BOLT	27-0118	6
36	DECAL - WARNING HOT SURFACES (SEE 71-3005)	N/A	1
37	TOP WRAP	20-1614A18	1
38	WASHER	28-0001	4
39	SCREW	27-8912	4
40	CLIP NUT	30-6028	4
41	EXHAUST GUARD	21-0171	1
42	INSULATION DISC	33-0346	1
43	COIL BOTTOM WRAP	20-1616A18	1
44	BOLT	27-0016	2
45	WASHER	28-0002	2
-	DECAL SET	71-3005	1

\*MUST ORDER IN ONE FOOT LENGTHS

# BURNER ASSEMBLY (4-0021)



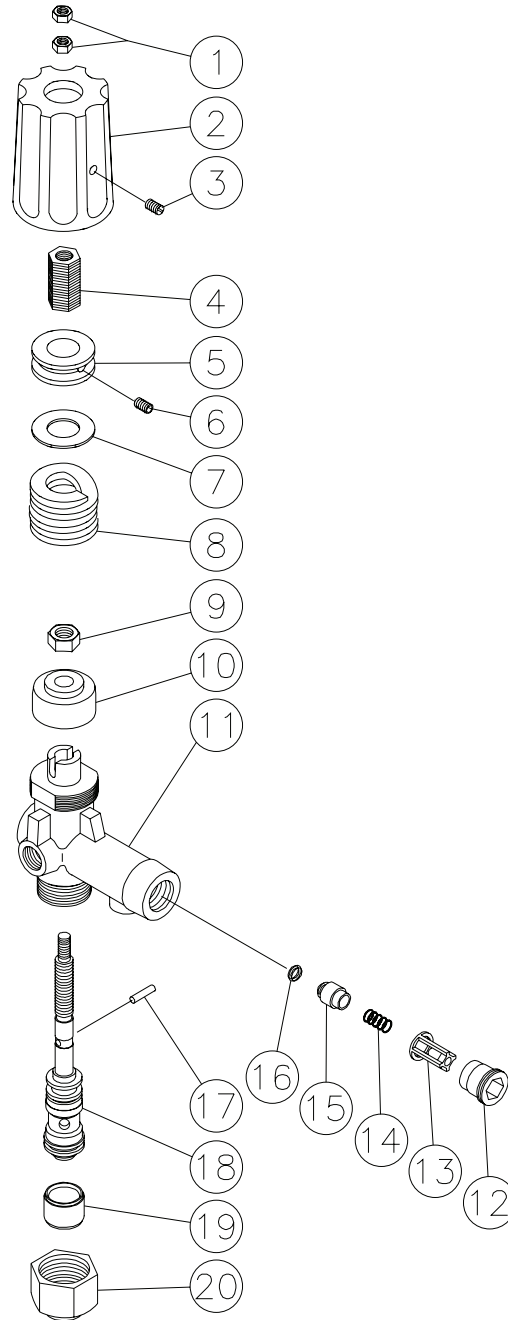
4-0021 032816 FJA

4-0021 032816 RJA

## BURNER ASSEMBLY

ITEM	DESCRIPTION	PART #	QTY
1	IGNITER ASSY W/ BASEPLATE	44-0125	1
2	CORD SET	44-0122	1
3	COIL	46-1015	1
4	TUBE BASE PLATE	46-1004	1
5	IGNITER GASKET KIT	70-0369	1
6	SOLENOID PISTON	46-1012	
7	FUEL PUMP	3-0434	1
8	TUBING	44-0025	1
9	PLATE	44-0031	1
10	NUT	44-0022	1
11	COMBUSTION HEAD	44-0011	1
12	ELECTRODE KIT	44-0111	1
13	ELECTRODE	44-0114	1
14	AIR TUBE	44-0110	1
15	FLANGE MOUNTING GASKET	44-0108	1
16	FLANGE	44-0109	1
17	GASKET FLANGE	26-0138	1
18	AIR GUIDE	44-0123	1
19	COUPLING	44-0127	1
20	BLOWER WHEEL	44-0124	1
21	MOTOR	2-0139	1

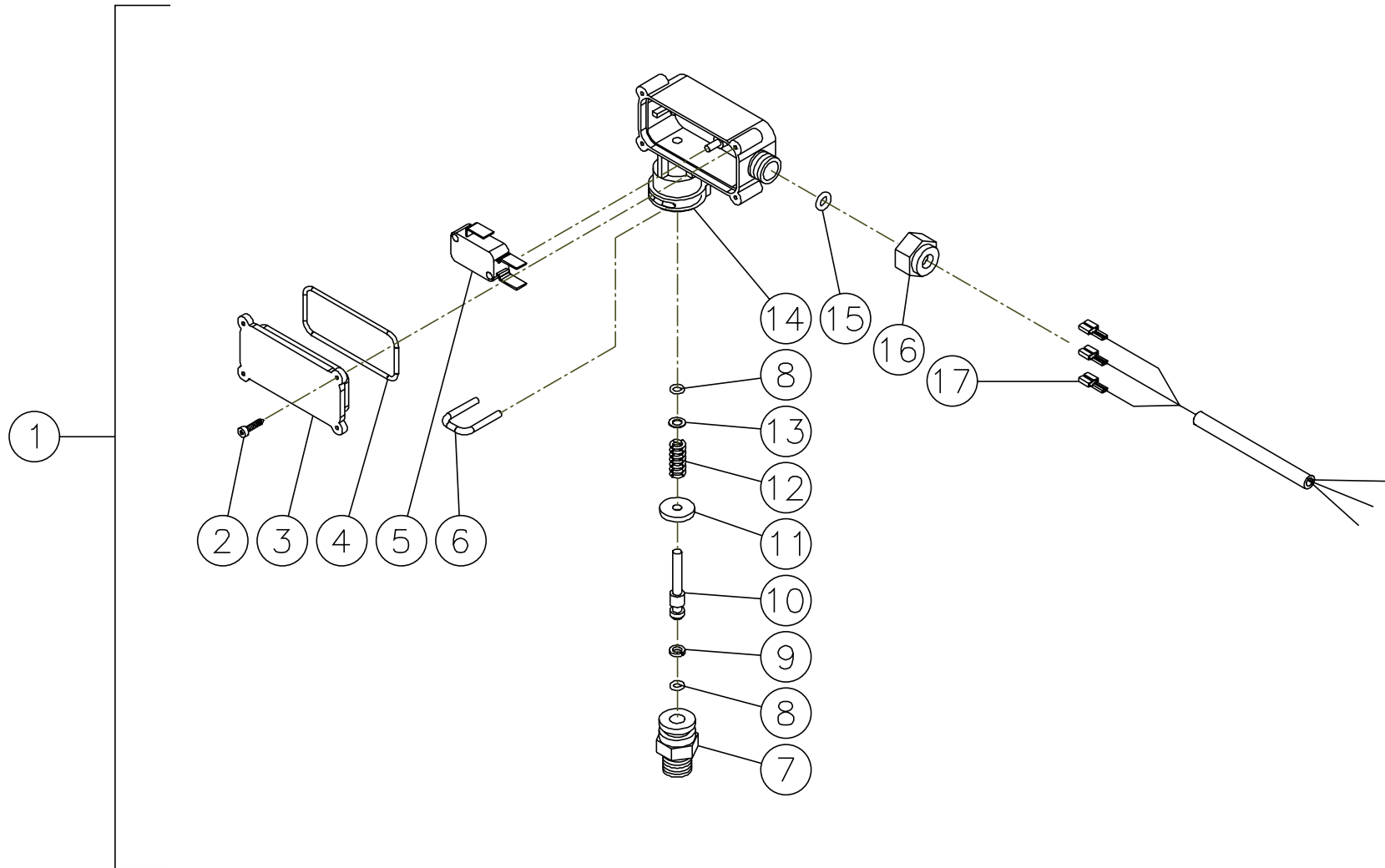
# UNLOADER ASSEMBLY (8-0361)





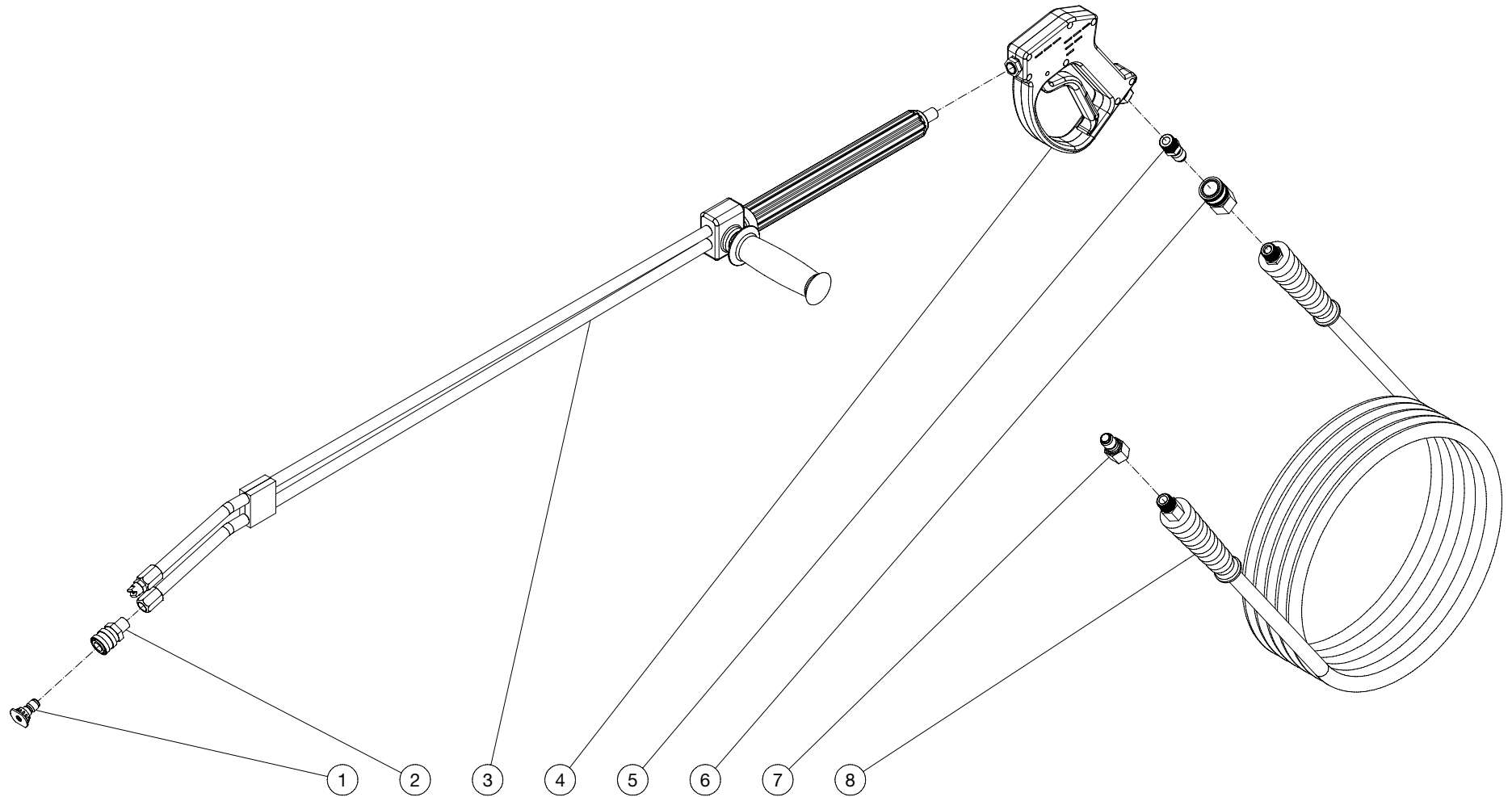
HMT 8-0361 101298			
UNLOADER			
REF. #	DESCRIPTION	PART #	QTY.
1	HEX NUT	8-0362	2
2	COVER	7-0098	1
3	SET SCREW	27-4280	1
4	ADJUSTING INSERT- BRASS	8-0363	1
5	ADJUSTMENT NUT	8-0364	1
6	SET SCREW	8-0365	1
7	GLIDE RING	8-0366	1
8	SPRING	49-0104	1
9	HEX NUT	8-0367	1
10	BUSHING	8-0368	1
11	UNLOADER BODY	8-0369	1
12	RETAINER	8-0269	1
13	VALVE HOUSING	8-0104	1
14	SPRING	49-0023	1
15	VALVE	8-0105	1
16	O-RING	25-0036	1
17	CYLINDER PIN	8-0372	1
18	PISTON REPAIR KIT	70-0243	1
19	SPACER	8-0371	1
20	STOP NUT	8-0157	1
KIT	CHECK VALVE REPAIR KIT (INCLUDES 13-16)	70-0244	

# PRESSURE SWITCH (22-0243)



PRESSURE SWITCH								
REF. #	DESCRIPTION	PART #	QTY.		REF. #	DESCRIPTION	PART #	QTY.
1	Pressure Switch- 15 BAR	22-0171	1		11	Washer	N/A	1
-	Pressure Switch- 25 BAR	22-0243	1		12	Spring- 15 BAR	49-0144	1
2	Screw	N/A	4		-	Spring- 25 BAR	49-0145	1
3	Cover	N/A	1		13	Washer	N/A	1
4	O-ring (See 70-0306)	N/A Sep.	1		14	Plastic Housing	N/A	1
5	Micro Switch	N/A	1		15	O-ring (See 70-0306)	N/A Sep.	1
6	Retainer Clip	N/A	1		16	Nut- 15 BAR	N/A	1
7	Body	N/A	1		-	Nut- 25 BAR	N/A	1
8	O-ring (See 70-0306)	N/A Sep.	2		17	Wire Assembly	N/A	1
9	Back-up Ring (See 70-0306)	N/A Sep.	1			O-ring Repair Kit (Inc. 4, 8-9, 15)	70-0306	
10	Piston	N/A	1					

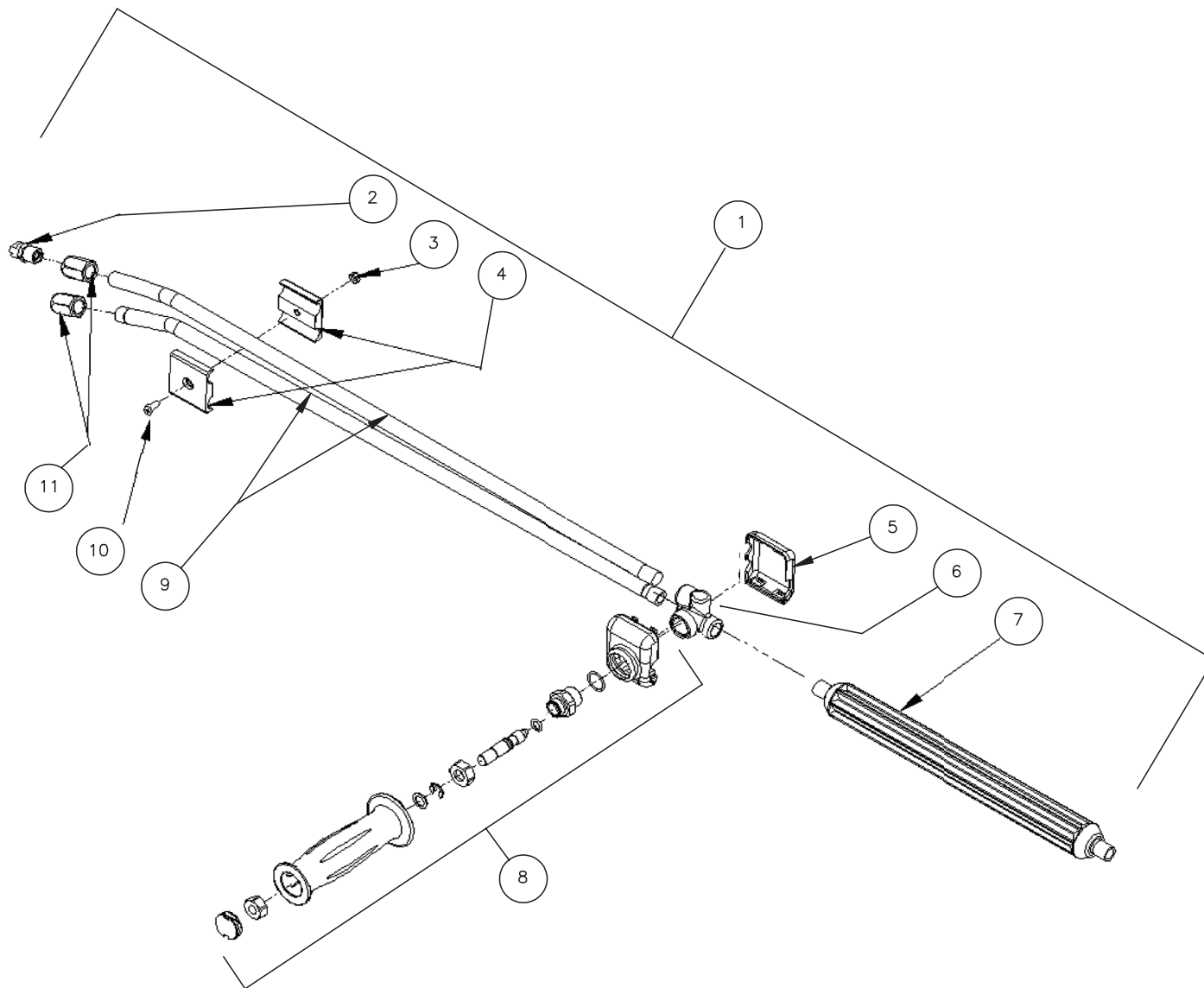
# GUN/WAND/HOSE ASSEMBLY



HW TRAILER - GUN WAND\_HOSE 101917 CH

HW TRAILER - GUN WAND AND HOSE 101917 CH			
GUN/WAND/HOSE ASSEMBLY			
ITEM	TITLE	PART #	QTY
1	NOZZLE - 00037	18-0445	1
-	NOZZLE - 15037	18-0446	1
-	NOZZLE - 25037	18-0447	1
-	NOZZLE - 40037	18-0448	1
2	QC SOCKET	17-0028	1
3	DUAL LANCE	16-0417	1
4	GUN	16-0446	1
5	QUICK CONNECT	17-0005	1
6	QC SOCKET	17-0004	1
7	QUICK CONNECT	17-0006	1
8	HOSE	15-0166	1

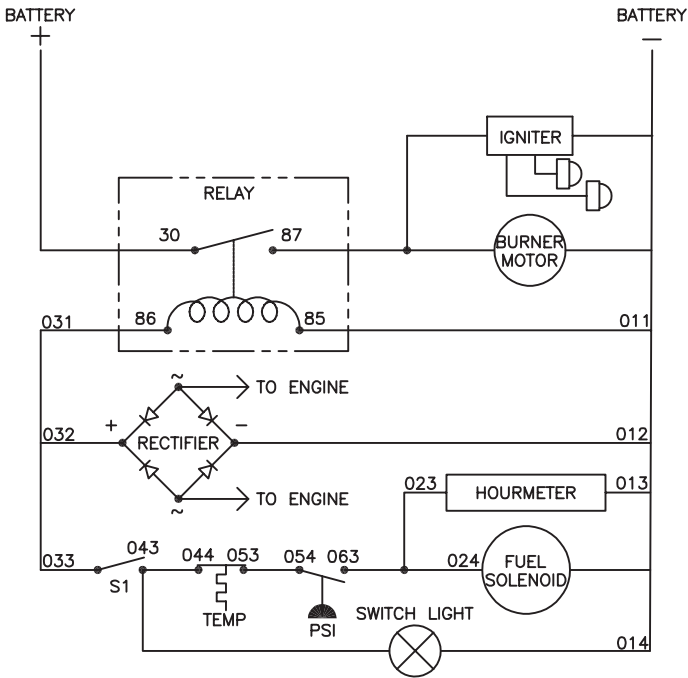
# DUAL LANCE ASSEMBLY (16-0417)



16-0416\_16-0417-102405-RZ

<b>DUAL LANCE ASSEMBLY (16-0416 &amp; 16-0417)</b>			
<b>REF. #</b>	<b>DESCRIPTION</b>	<b>PART #</b>	<b>QTY.</b>
1	Dual Lance Assembly - 36" (Inc. 2-11)	16-0416	1
-	Dual Lance Assembly - 48" (Inc. 2-11)	16-0417	1
2	Detergent Nozzle	18-0110	1
3	Nut	30-6001	1
4	Clamp	16-0420	2
5	Lower Valve Cover (See 16-0416 or 16-0417)	N/A Sep.	1
6	Housing (See 16-0416 or 16-0417)	N/A Sep.	1
7	Lance	16-0419	1
8	Handle Repair Kit	70-0419	1
9	Lance (See 16-0416)	N/A Sep.	2
-	Lance (See 16-0417)	N/A Sep.	2
10	Screw	27-8196	1
11	Nozzle Adapter	24-0280	2

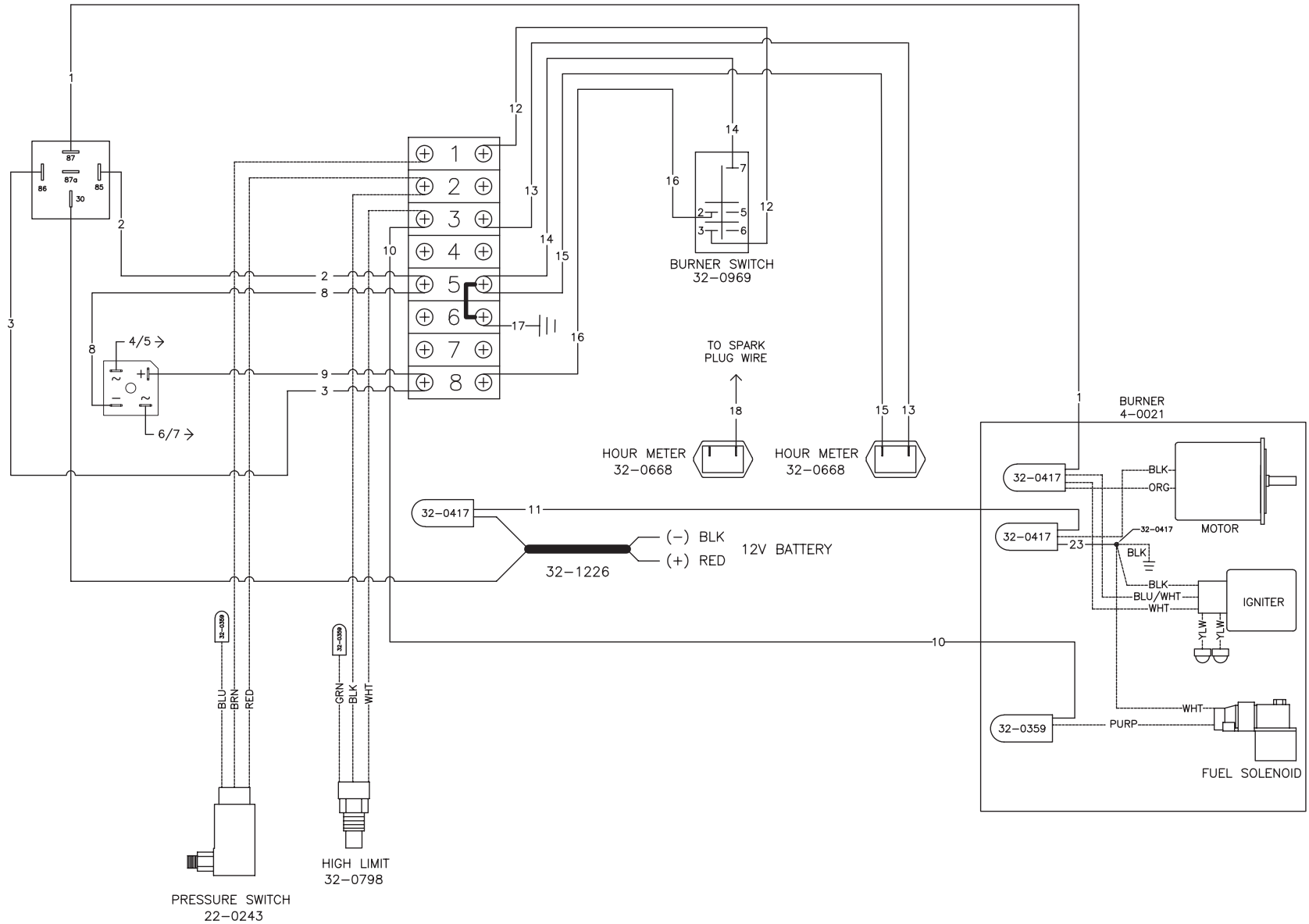
# WIRING SCHEMATIC



WS - SMALL HW TRAILER 091019 ADR

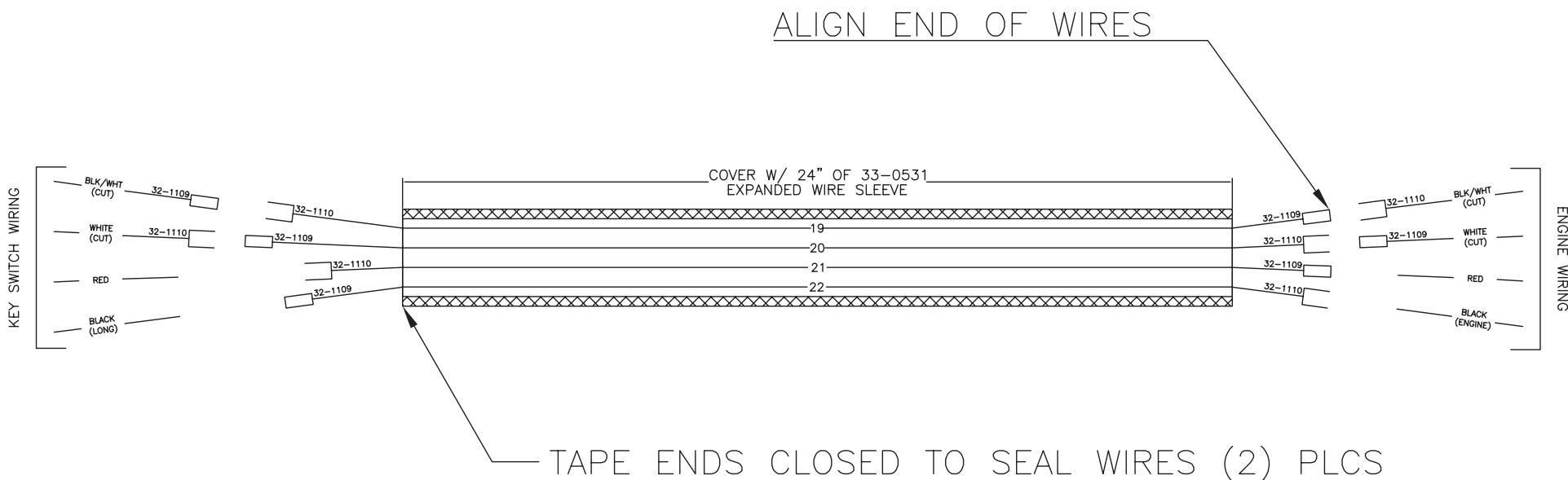


# WIRING DIAGRAM



WD - SMALL HW TRAILER 091019 ADR

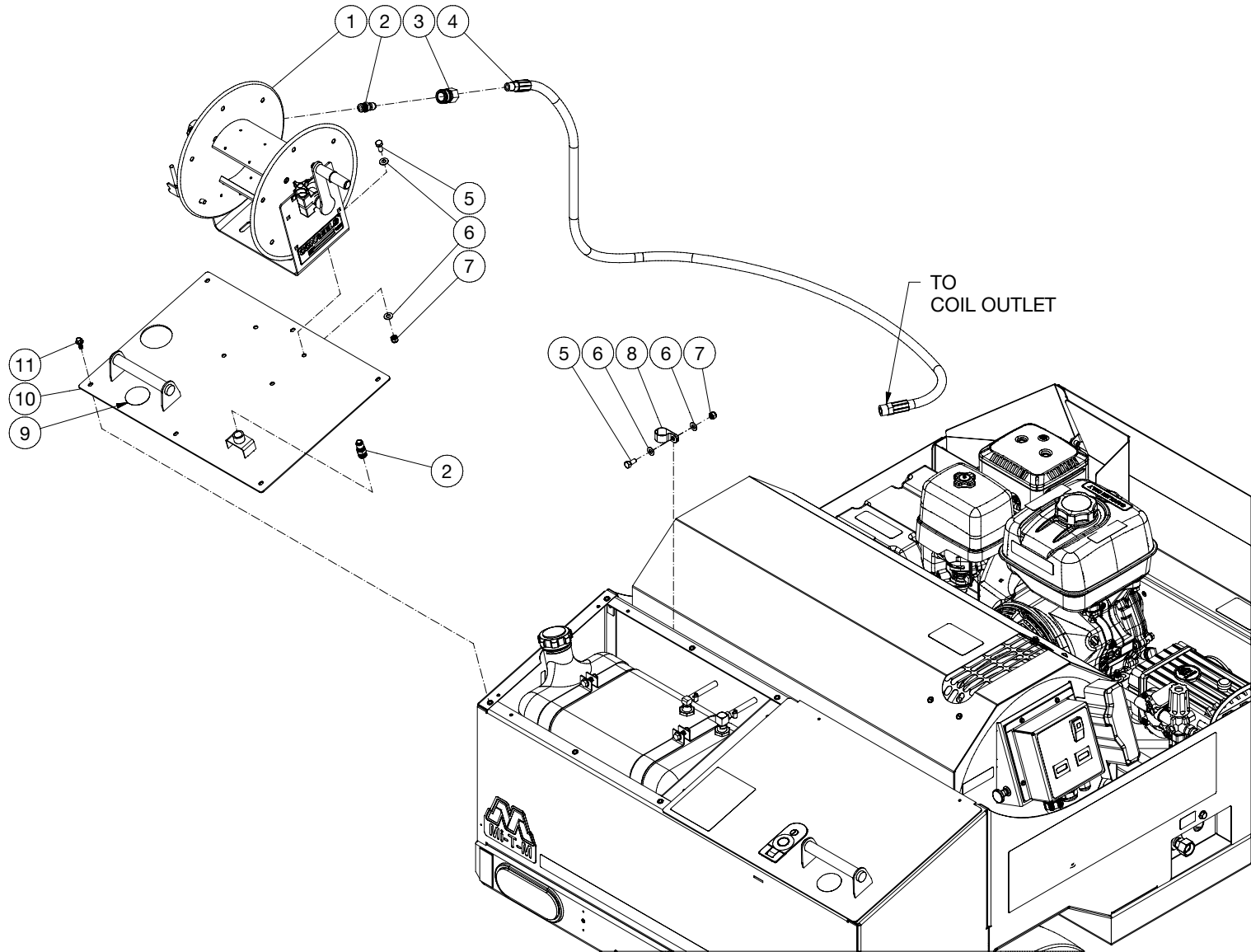
# WIRING SCHEMATIC KEY SWITCH



WD - SMALL HW TRAILER KEY SWITCH 091019 ADR



# HIGH PRESSURE HOSE REEL OPTION (TX-0020)



HIGH PRESSURE HOSE REEL OPTIOPN TX-0020 022020 CH			
HIGH PRESSURE HOSE REEL OPTION			
ITEM	DESCRIPTION	PART #	QTY
1	HOSE REEL	50-0222	1
2	QUICK CONNECT	17-0005	2
3	QC SOCKET	17-0004	1
4	HIGH PRESSURE HOSE	15-0186	1
5	BOLT	27-0066	5
6	WASHER	28-0003	10
7	LOCKNUT	30-0157	5
8	CLIP	33-0291	1
9	DECAL - DO NOT LIFT (SEE 71-3005)	N/A	1
10	COVER PANEL	20-1613A18	1
11	BOLT	27-1200	6
-	DECAL SET	71-3005	1

Manufactured by Mi-T-M  
50 Mi-T-M Drive, Peosta IA 52068  
563-556-7484/ Fax 563-556-1235