

PARTS LIST FOR  
***3008/5004/5005/6004/7004 SERIES***  
***PORTABLE***  
***GASOLINE DRIVEN/BELT DRIVE***  
***COLD WATER PRESSURE WASHER***

ENGINE OIL GRADE:	SAE10W-30
ENGINE OIL CAPACITY:	64 oz.
PUMP OIL GRADE:	#AW-4085-0016
PUMP OIL CAPACITY:	31 oz. / 32 oz. / 40.6 oz.
PRESSURE NOZZLE SIZE FOR:	3008 10.0
	5004 3.5
	5005 4.5
	6004 3.0
	7004 2.7

This Parts Listing has been compiled for your benefit. You can be assured your new Cold Water Pressure Washer was constructed and designed with quality and performance in mind using over 25 years experience in the pressure washer business. Each component has been rigorously tested to insure the highest level of acceptance.

The contents of this Parts Listing are based on the latest product information available at the time of publication. The manufacturer reserves the right to make changes in price, color, materials, equipment, specifications or models at any time without notice.

## WARNING

THIS IS A PROFESSIONAL HIGH PRESSURE, COLD WATER PRESSURE WASHER. CAUTION SHOULD BE OBSERVED WHEN USING OR REPAIRING THIS UNIT! READ AND FOLLOW THE SAFETY WARNINGS LISTED BELOW BEFORE ATTEMPTING ANY REPAIRS ON THIS PRESSURE WASHER!

## SAFETY WARNINGS

1. NEVER alter or modify the equipment. Be sure any accessory items and system components being used will withstand the pressure developed. Use only genuine manufactured parts for repair of your pressure washer. Failure to do so can cause hazardous operating conditions and will VOID warranty.
2. NEVER make adjustments on machinery while the unit is connected to the power source. Turning over the machinery by hand during adjustment or cleaning might start the machinery, causing serious injury to the operator.
3. Know how to stop and bleed pressures quickly. Be thoroughly familiar with controls.
4. Before servicing the unit, turn unit off, relieve the water pressure and allow the unit to cool down. Do not make repairs while the unit is running. Service in a clean, dry, flat area.
5. After testing the machine, DO NOT leave the pressurized unit unattended. Shut off the unit and release trapped pressure before leaving.

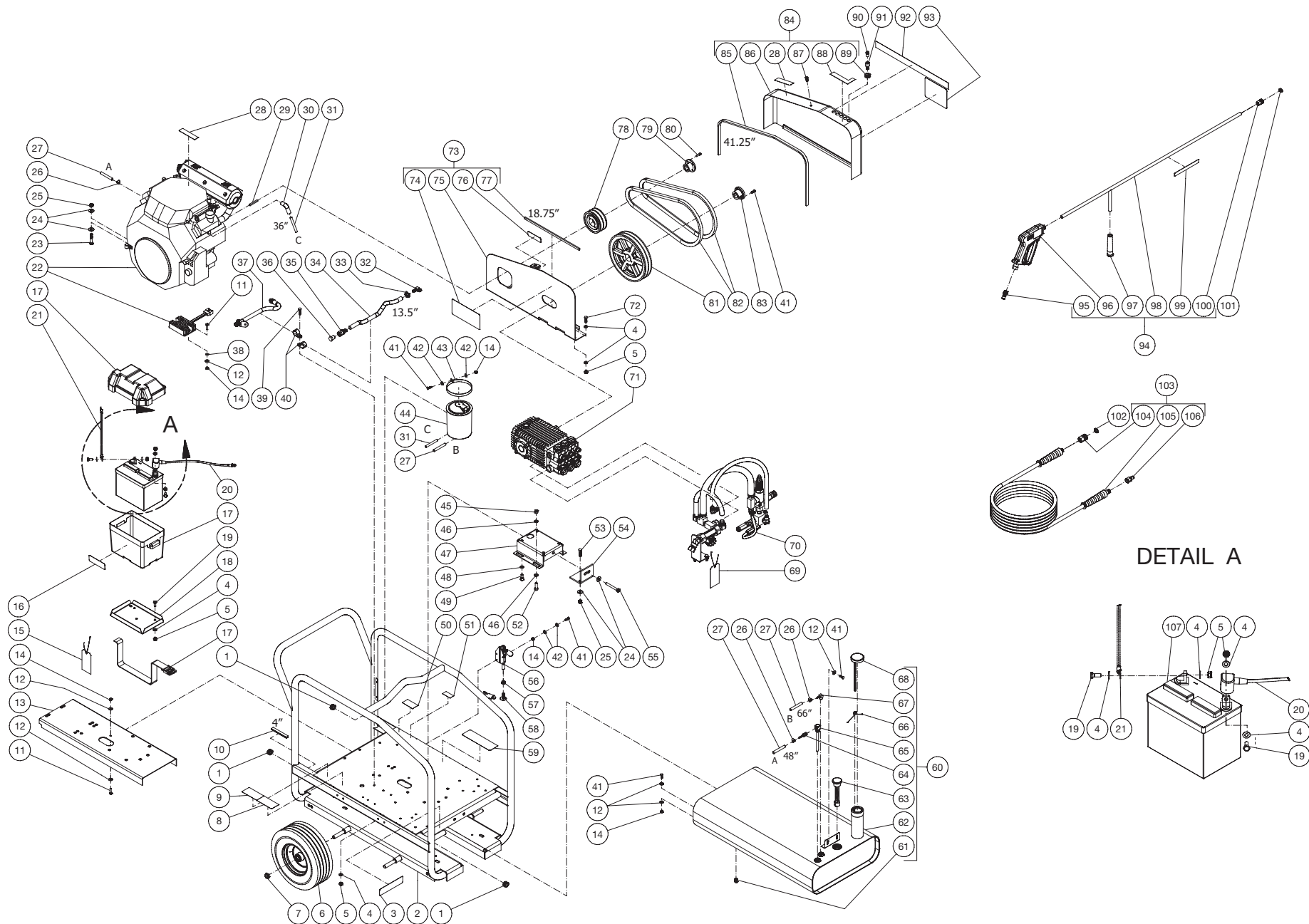
## TABLE OF CONTENTS

SPECIFICATIONS.....	3
FRAME ASSEMBLY FOR 3008.....	4
FRAME ASSEMBLY FOR 5004 (AR).....	6
FRAME ASSEMBLY FOR 5004 (GENERAL).....	8
FRAME ASSEMBLY FOR 5005.....	10
FRAME ASSEMBLY FOR 6004.....	12
FRAME ASSEMBLY FOR 7004.....	14
PLUMBING ASSEMBLY 3008.....	16
PLUMBING ASSEMBLY 5004_5005.....	18
PLUMBING ASSEMBLY 6004.....	20
PLUMBING ASSEMBLY 7004.....	22
PUMP ASSEMBLY (3-0213).....	24
PUMP ASSEMBLY (3-0261).....	26
PUMP ASSEMBLY (3-0262).....	28
PUMP ASSEMBLY (3-0279).....	30
PUMP ASSEMBLY (3-0430).....	32
UNLOADER ASSEMBLY (8-0032).....	34
UNLOADER ASSEMBLY (8-0373).....	36
UNLOADER ASSEMBLY (8-0522).....	38
UNLOADER ASSEMBLY (8-0636).....	40
GUN ASSEMBLY (16-0343).....	42
GUN ASSEMBLY (16-0447).....	44
HONDA ENGINE ASSEMBLY (851-0385).....	46
HONDA ENGINE ASSEMBLY (851-0418).....	48

## SPECIFICATIONS

MODEL NUMBER	3008	5004	5005	6004	7004	5004
Operating Pressure (PSI/Bar):	3000/210.9	5000/344.7	5000/344.7	6000/413.6	7000/482.6	5000/344.7
High Pressure Nozzle:	10.0	3.5	4.5	3.0	2.7	3.5
Water Volume (GPM/lpm):	8.0/30.3	4.0/15.1	4.5/17.0	3.7/14	3.8/14.4	4.0/15.1
Engine:	Honda					
Model	GX630			GX690		GX630
Engine Type	4 Stroke, Overhead Valve, V-Twin					
Oil Type	SAE10W-30					
Oil Capacity (oz./liter)	64/1.9					
Low Oil Protection	Oil Alert™					
Fuel Type	Unleaded Gasoline 86 Octane Minimum					
Fuel Capacity (gal./liter)	13 / 49.2					
Starting	Electric Start					
Maximum No Load RPM	3600 (+/- 100) RPM					
Thermal Relief Valve	Relieves heated water during unloader bypass stage					
Pump:	Belt Driven, Oil Bath, Triplex Piston					
Model	General	General	General	General	General	AR
Oil Type	#AW-4085-0016					
Oil Capacity (oz./liters)	31.0/0.92	40.6/1.20	31.0/0.92	40.6/1.20	40.6/1.20	32.0/0.95
Plungers	Ceramic					
Manifold	Forged Brass					
Valves	Stainless Steel					
Unloader	Preset					
Unit Net Weight (lbs/Kg)	398/180	408/185	421/191	398/180		
Unit Shipping Weight (lbs/Kg)	508/230	508/230	500/226	507/230	514/233	494/224
Unit Net Dimension (in/cm)	43.27Lx28.55Wx39.27H/109.91Lx72.52Wx99.75H					
Unit Shipping Dimension (in/cm)	46.5Lx31.5Wx48.5H/118Lx80Wx123H					

# FRAME ASSEMBLY FOR 3008

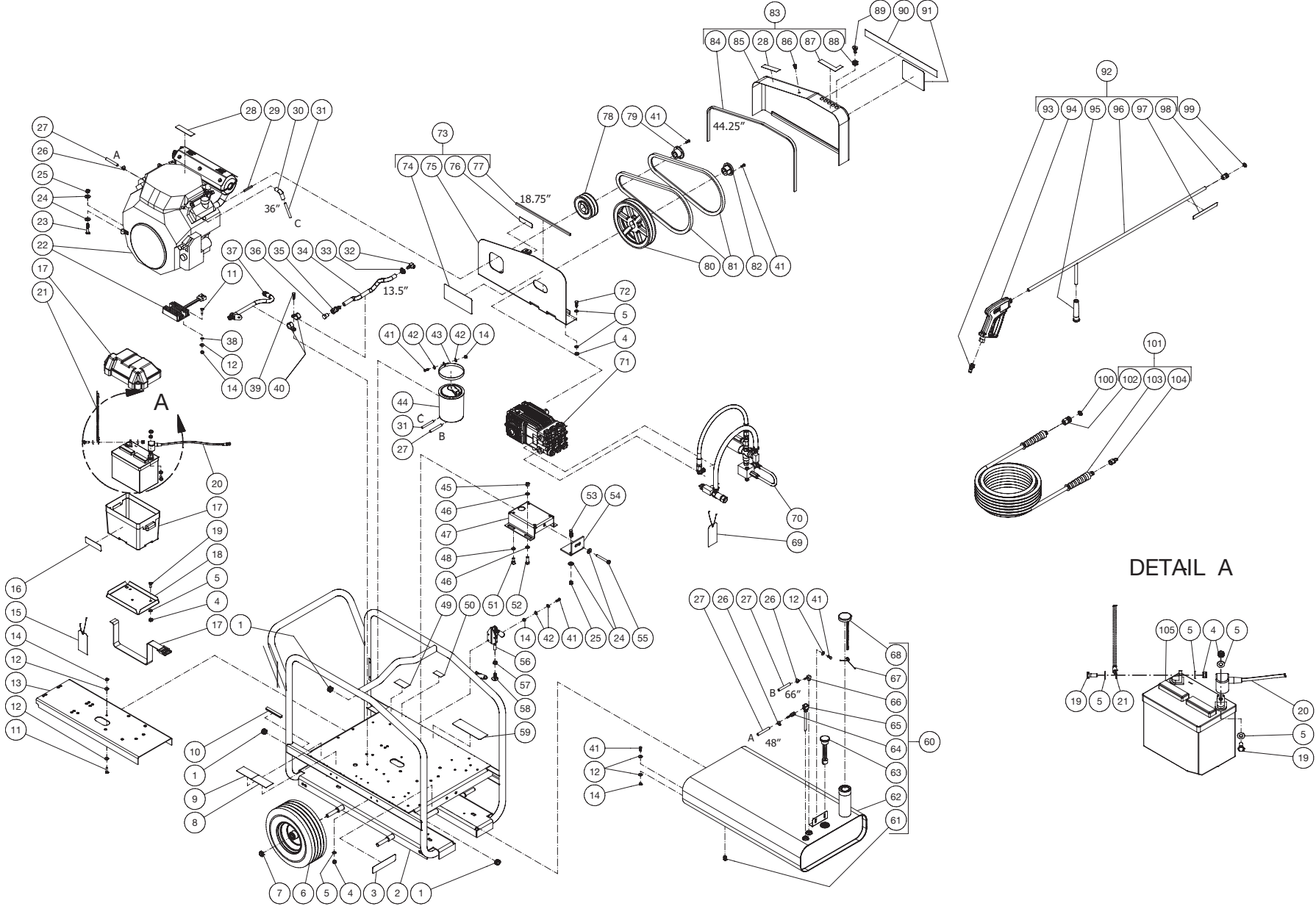


DC-3008-WC4H6G 062617 JJR

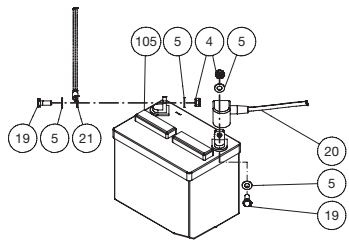
FRAME ASSEMBLY							
ITEM	DESCRIPTION	PART #	QTY	ITEM	DESCRIPTION	PART #	QTY
1	GROMMET	33-0002	4	57	NUT	30-0004	1
2	FRAME	5-0136A01	1	58	BOLT	27-9550	1
3	DECAL - RISK OF BURNS *(SEE 71-1028)	N/A	1	59	DECAL - OPERATION (SEE 71-1028)	N/A	1
4	WASHER	28-0003	15	60	GASS TANK ASSY - CWC/50 ST	851-0400	1
5	LOCKNUT	30-0157	9	61	PLUG	24-0009	1
6	WHEEL	14-0150	4	62	FUEL TANK	12-0248A09	1
7	LOCKNUT	30-0117	4	63	FUEL GAUGE	12-0263	1
8	DECAL	N/A	1	64	BARB	23-0051	1
9	DECAL- SILVER STICKER	N/A	1	65	FUEL PICK UP	33-0271	1
10	EDGING *(ONE FOOT REQUIRED)	33-0020	1	66	FUEL CAP CATCH	12-0228	1
11	BOLT	27-0016	3	67	ELBOW	23-0054	1
12	WASHER	28-0021	10	68	FUEL CAP	12-0229	1
13	SUPPORT BRACKET	13-0120A01	1	69	TAG - WATER SUPPLY INLET (E)	N/A	1
14	LOCKNUT	30-0155	9	70	PLUMBING ASSEMBLY 3008	N/A	1
15	TAG	N/A	1	71	PUMP	3-0279	1
16	DECAL - RISK OF INJURY (SEE 71-1028)	N/A	1	72	BOLT	27-0067	4
17	BATTERY BOX	33-0092	1	73	ASSEMBLY - BELTGUARD BACK	851-0310	1
18	BATTERY RETAINER	20-0264A01	1	74	DECAL - WARNING (SEE 71-1028)	N/A	1
19	BOLT	27-0066	4	75	BELTGUARD BACK	N/A	1
20	CABLE	32-9112	1	76	DECAL - WARNING (SEE 71-1028)	N/A	1
21	CABLE	32-9111	1	77	EDGING *(TWO FEET REQUIRED)	33-0020	1
22	ENGINE ASSY	851-0385	1	78	SHEAVE	10-0043	1
23	BOLT	27-0121	4	79	BUSHING	9-0005	1
24	WASHER	28-0023	11	80	BOLT	27-0771	2
25	LOCKNUT	30-0159	6	81	SHEAVE	10-0037	1
26	CLAMP WORM	42-0004	3	82	BELT	11-0054	2
27	FUEL HOSE *(TEN FEET REQUIRED)	15-0008	1	83	BUSHING	9-0017	1
28	DECAL - RISK OF BURNS (SEE 71-1028)	N/A	2	84	ASSEMBLY BELTGUARD COVER	851-0324	1
29	KEY	43-0078	1	85	EDGING *(FOUR FEET REQUIRED)	33-0020	1
30	AIR CLEANER ADAPTER	62-0229	1	86	BELTGUARD COVER	N/A	1
31	FUEL HOSE *(THREE FEET REQUIRED)	15-0261	1	87	FASTENER	33-0197	1
32	ELBOW	23-0119	1	88	DECAL - NOZZLE	N/A	1
33	HOSE CLAMP	42-0011	1	89	GROMMET	33-0001	5
34	HOSE *(TWO FEET REQUIRED)	15-0305	1	90	NOZZLE 0010	18-0050	1
35	HOSE BARB	23-0360	1	-	NOZZLE 1510	18-0058	1
36	PLUG	23-0411	1	-	NOZZLE 2510	18-0119	1
37	DRAIN HOSE	70-0555	1	-	NOZZLE 4010	18-0121	1
38	LOCKWASHER	28-1028	2	91	QUICK CONNECT	17-0017	4
39	BOLT	27-0068	1	92	DECAL - STRIPE SEE DX OPTION	N/A	1
40	CLIP	33-0291	2	93	DECAL - LOGO SEE DX OPTION	N/A	1
41	BOLT	27-0015	8	94	ASSEMBLY GUN W/S.S. LANCE 48"	851-0309	1
42	WASHER	28-0002	8	95	QUICK CONNECT	17-0005	1
43	CARB CANISTER STRAP	20-1187A01	2	96	GUN	16-0343	1
44	CARB CANISTER	62-0212	1	97	GRIP	7-0002	1
45	LOCKNUT	30-0161	4	98	WAND	16-0342A01	1
46	WASHER	28-0030	8	99	DECAL - RISK OF INJECTION (SEE 71-1028)	N/A	1
47	PUMP BRACKET	5-0101A01	1	100	QUICK CONNECT	17-0036	1
48	LOCKWASHER	29-0055	4	101	O-RING	25-0122	1
49	BOLT	27-8471	4	102	O-RING	25-0123	1
50	DECAL	N/A	1	103	PRESSURE HOSE ASSEMBLY	851-0089	1
51	DECAL - MADE IN USA	34-3553	1	104	QC SOCKET	17-0041	1
52	BOLT	27-0167	4	105	HOSE	15-0056	1
53	BOLT	27-0118	2	106	QUICK CONNECT	17-0006	1
54	BRACKET	13-0003A01	1	107	BATTERY	32-0058	1
55	BOLT	27-0576	1	-	DECAL SET	71-1028	1
56	PUSH/PULL TOGGLE CLAMP	33-0400	1				

\*MUST ORDER IN ONE FOOT LENGTHS

# FRAME ASSEMBLY FOR 5004 (AR)



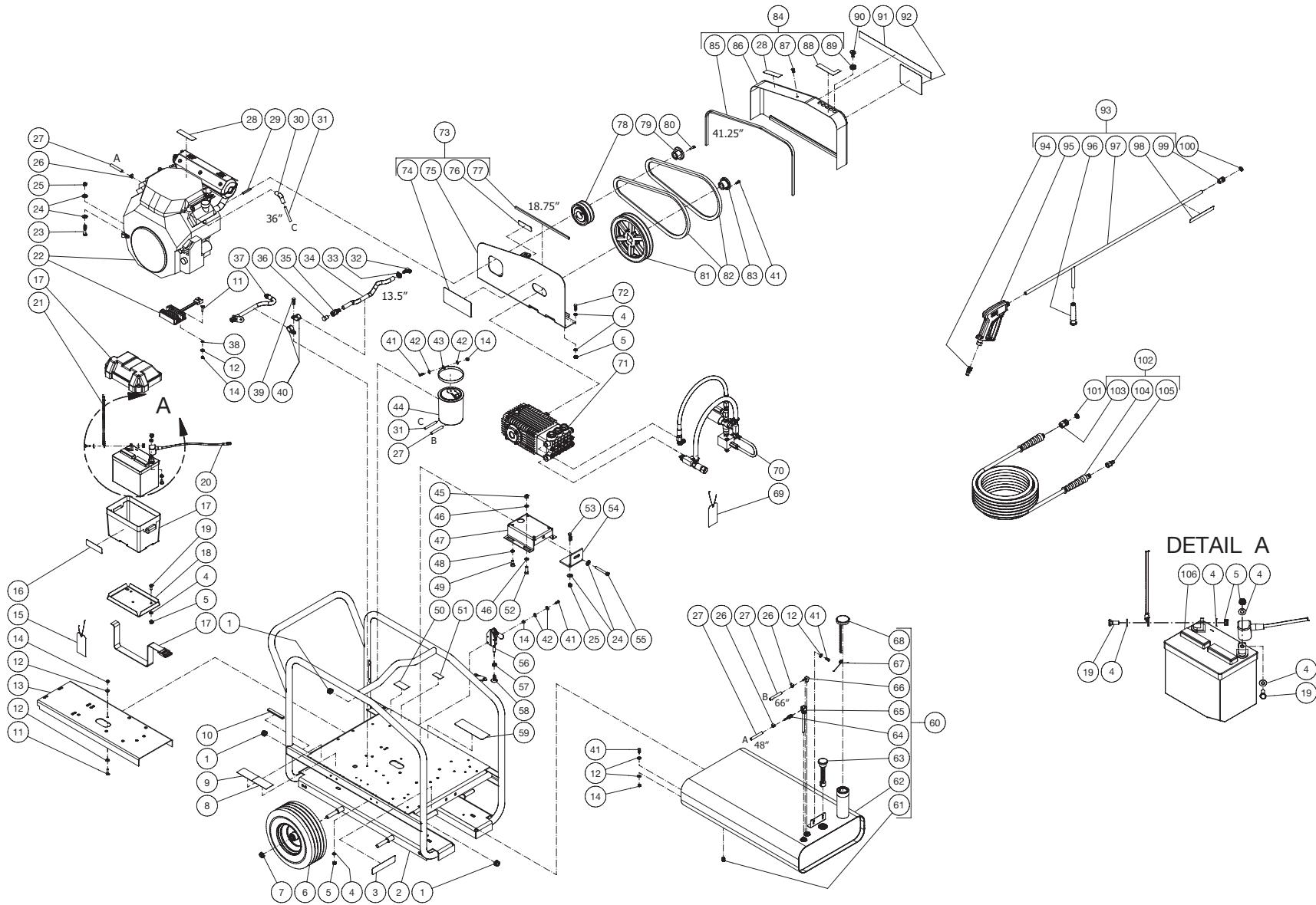
DETAIL A



DC-5004-WC4H6A 062617 JJR

FRAME ASSEMBLY							
ITEM	DESCRIPTION	PART #	QTY	ITEM	DESCRIPTION	PART #	QTY
1	GROMMET	33-0002	4	56	PUSH/PULL TOGGLE CLAMP	33-0400	1
2	FRAME	5-0136A01	1	57	NUT	30-0004	1
3	DECAL - RISK OF BURNS (SEE 71-1028)	N/A	1	58	BOLT	27-9550	1
4	LOCKNUT	30-0157	9	59	DECAL - OPERATION (SEE 71-1028)	N/A	1
5	WASHER	28-0003	15	60	GAS TANK ASSY	851-0400	1
6	WHEEL	14-0150	4	61	PLUG	24-0009	1
7	LOCKNUT	30-0117	4	62	FUEL TANK	12-0248A09	1
8	DECAL	N/A	1	63	FUEL GAUGE	12-0263	1
9	DECAL- SILVER STICKER	N/A	1	64	BARB	23-0051	1
10	EDGING	33-0020	1	65	FUEL PICK UP	33-0271	1
11	BOLT	27-0016	3	66	ELBOW	23-0054	1
12	WASHER	28-0021	10	67	FUEL CAP CATCH	12-0228	1
13	SUPPORT BRACKET	13-0120A01	1	68	FUEL CAP	12-0229	1
14	LOCKNUT	30-0155	9	69	TAG - WATER SUPPLY INLET (E)	N/A	1
15	TAG	N/A	1	70	PLUMBING ASSEMBLY	N/A	1
16	DECAL - RISK OF INJURY (SEE 71-1028)	N/A	1	71	PUMP	3-0213	1
17	BATTERY BOX	33-0092	1	72	BOLT	27-0067	4
18	BATTERY RETAINER	20-0264A01	1	73	ASSEMBLY - BELTGUARD BACK	851-0310	1
19	BOLT	27-0066	4	74	DECAL - WARNING (SEE 71-1028)	N/A	1
20	CABLE	32-9112	1	75	BELTGUARD BACK	N/A	1
21	CABLE	32-9111	1	76	DECAL - WARNING (SEE 71-1028)	N/A	1
22	ENGINE ASSY	851-0385	1	77	EDGING *(TWO FEET REQUIRED)	33-0020	1
23	BOLT	27-0121	4	78	SHEAVE	10-0118	1
24	WASHER	28-0023	11	79	BUSHING	9-0005	1
25	LOCKNUT	30-0159	6	80	SHEAVE	10-0037	1
26	CLAMP WORM	42-0004	3	81	BELT	11-0055	2
27	FUEL HOSE *(TEN FEET REQUIRED)	15-0008	1	82	BUSHING	9-0017	1
28	DECAL - RISK OF BURNS (SEE 71-1028)	N/A	2	83	ASSEMBLY BELTGUARD COVER	851-0324	1
29	KEY	43-0078	1	84	EDGING *(FOUR FEET REQUIRED)	33-0020	1
30	AIR CLEANER ADAPTER	62-0229	1	85	BELTGUARD COVER	N/A	1
31	FUEL HOSE *(THREE FEET REQUIRED)	15-0261	2	86	FASTENER	33-0197	1
32	ELBOW	23-0050	1	87	DECAL - NOZZLE	N/A	1
33	HOSE CLAMP	42-0011	1	88	GROMMET	33-0001	5
34	HOSE *(TWO FEET REQUIRED)	15-0305	1	89	NOZZLE	18-0392	1
35	HOSE BARB	23-0360	1	-	NOZZLE	18-0393	1
36	PLUG	23-0411	1	-	NOZZLE	18-0395	1
37	DRAIN HOSE	70-0555	1	-	NOZZLE	18-0396	1
38	LOCKWASHER	28-1028	2	90	DECAL - STRIPE SEE DX OPTION	N/A	1
39	BOLT	27-0068	1	91	DECAL - LOGO SEE DX OPTION	N/A	1
40	CLIP	33-0291	2	92	ASSEMBLY GUN W/S.S. LANCE 48"	851-0309	1
41	BOLT	27-0015	8	93	QUICK CONNECT	17-0005	1
42	WASHER	28-0002	8	94	GUN	16-0343	1
43	CARB CANISTER STRAP	20-1187A01	2	95	GRIP	7-0002	1
44	CARB CANISTER	62-0212	1	96	WAND	16-0342A01	1
45	LOCKNUT	30-0161	4	97	DECAL - RISK OF INJECTION (SEE 71-1028)	N/A	1
46	WASHER	28-0030	8	98	QUICK CONNECT	17-0036	1
47	PUMP BRACKET	5-0101A01	1	99	O-RING	25-0122	1
48	LOCKWASHER	29-0055	4	100	O-RING	25-0123	1
49	DECAL-	N/A	1	101	PRESSURE HOSE ASSEMBLY	851-0317	1
50	DECAL - MADE IN USA	34-3553	1	102	QC SOCKET	17-0041	1
51	BOLT	27-8471	4	103	HOSE	15-0178	1
52	BOLT	27-0167	4	104	QUICK CONNECT	17-0006	1
53	BOLT	27-0118	2	105	BATTERY	32-0058	1
54	BRACKET	13-0003A01	1	-	DECAL SET	71-1028	1
55	BOLT	27-0576	1	*MUST ORDER IN ONE FOOT LENGTHS			

# FRAME ASSEMBLY FOR 5004 (GENERAL)



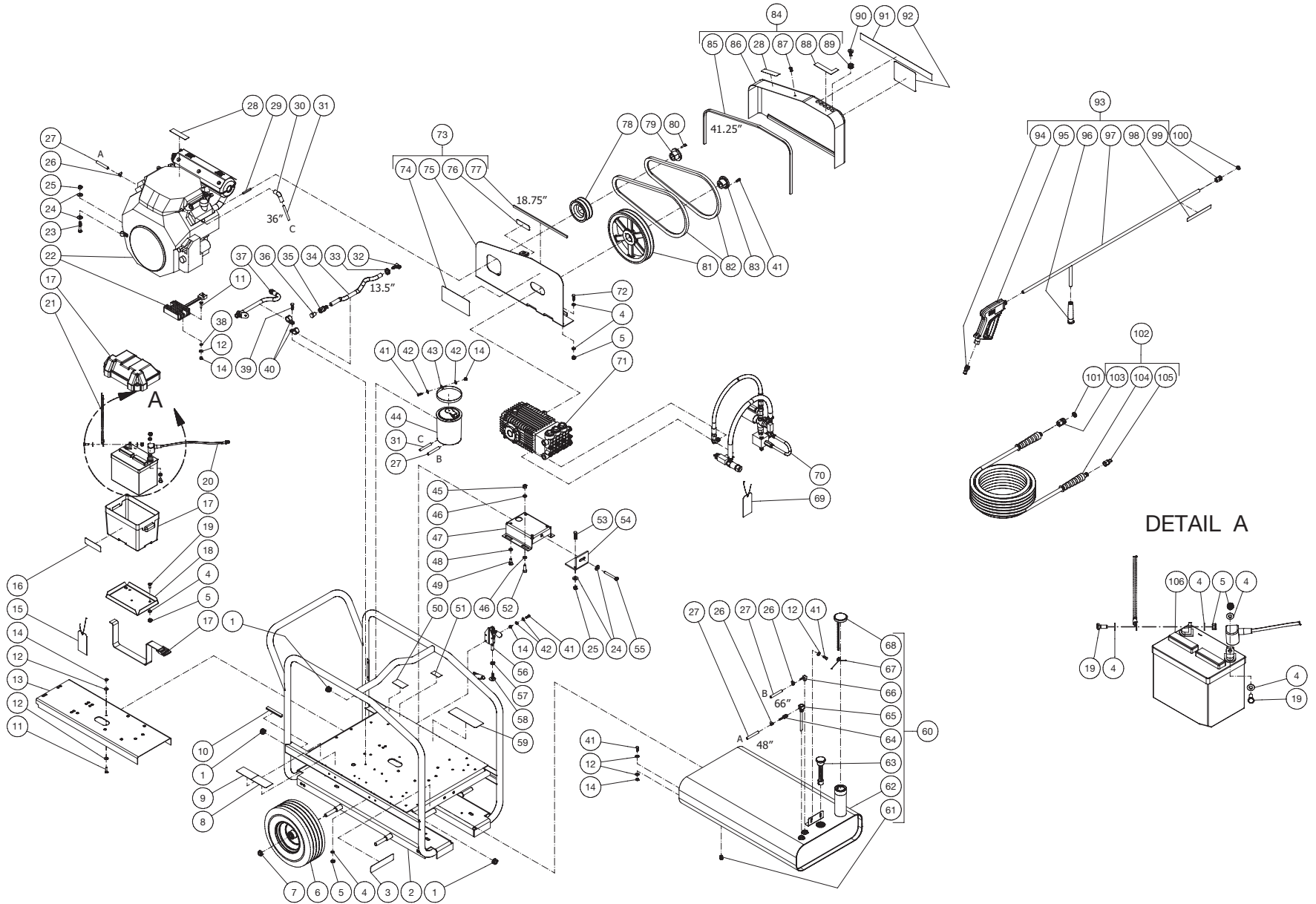
DC-5004-WC4H6G 062717 JJR



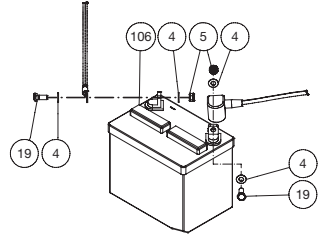
FRAME ASSEMBLY							
ITEM	DESCRIPTION	PART #	QTY	ITEM	DESCRIPTION	PART #	QTY
1	GROMMET	33-0002	4	56	PUSH/PULL TOGGLE CLAMP	33-0400	1
2	FRAME	5-0136A01	1	57	NUT	30-0004	1
3	DECAL - RISK OF BURNS (SEE 71-1028)	N/A	1	58	BOLT	27-9550	1
4	WASHER	28-0003	15	59	DECAL - OPERATION (SEE 71-1028)	N/A	1
5	LOCKNUT	30-0157	9	60	GAS TANK ASSY	851-0400	1
6	WHEEL	14-0150	4	61	PLUG	24-0009	1
7	LOCKNUT	30-0117	4	62	FUEL TANK	12-0248A09	1
8	DECAL	N/A	1	63	FUEL GAUGE	12-0263	1
9	DECAL- SILVER STICKER	N/A	1	64	BARB	23-0051	1
10	EDGING *(ONE FOOT REQUIRED)	33-0020	1	65	FUEL PICK UP	33-0271	1
11	BOLT	27-0016	3	66	ELBOW	23-0054	1
12	WASHER	28-0021	10	67	FUEL CAP CATCH	12-0228	1
13	SUPPORT BRACKET	13-0120A01	1	68	FUEL CAP	12-0229	1
14	LOCKNUT	30-0155	9	69	TAG - WATER SUPPLY INLET (E)	N/A	1
15	TAG	N/A	1	70	PLUMBING ASSEMBLY	N/A	1
16	DECAL - RISK OF INJURY (SEE 71-1028)	N/A	1	71	PUMP	3-0261	1
17	BATTERY BOX	33-0092	1	72	BOLT	27-0067	4
18	BATTERY RETAINER	20-0264A01	1	73	ASSEMBLY - BELTGUARD BACK	851-0310	1
19	BOLT	27-0066	4	74	DECAL - WARNING (SEE 71-1028)	N/A	1
20	CABLE	32-9112	1	75	BELTGUARD BACK	N/A	1
21	CABLE	32-9111	1	76	DECAL - WARNING (SEE 71-1028)	N/A	1
22	ENGINE ASSY	851-0385	1	77	EDGING *(TWO FEET REQUIRED)	33-0020	1
23	BOLT	27-0121	4	78	SHEAVE	10-0043	1
24	WASHER	28-0023	11	79	BUSHING	9-0005	1
25	LOCKNUT	30-0159	6	80	BOLT	27-0771	2
26	CLAMP WORM	42-0004	3	81	SHEAVE	10-0037	1
27	FUEL HOSE *(TEN FEET REQUIRED)	15-0008	1	82	BELT	11-0054	2
28	DECAL - RISK OF BURNS (SEE 71-1028)	N/A	2	83	BUSHING	9-0017	1
29	KEY	43-0078	1	84	ASSEMBLY BELTGUARD COVER	851-0324	1
30	AIR CLEANER ADAPTER	62-0229	1	85	EDGING *(FOUR FEET REQUIRED)	33-0020	1
31	FUEL HOSE *(THREE FEET REQUIRED)	15-0261	2	86	BELTGUARD COVER	N/A	1
32	ELBOW	23-0119	1	87	FASTENER	33-0197	1
33	HOSE CLAMP	42-0011	1	88	DECAL - NOZZLE	34-0500	1
34	HOSE *(TWO FEET REQUIRED)	15-0305	1	89	GROMMET	33-0001	5
35	HOSE BARB	23-0360	1	90	NOZZLE	18-0392	1
36	PLUG	23-0411	1	-	NOZZLE	18-0393	1
37	DRAIN HOSE	70-0555	1	-	NOZZLE	18-0395	1
38	LOCKWASHER	28-1028	2	-	NOZZLE	18-0396	1
39	BOLT	27-0068	1	91	DECAL - STRIPE SEE DX OPTION	N/A	1
40	CLIP	33-0291	2	92	DECAL - LOGO SEE DX OPTION	N/A	1
41	BOLT	27-0015	8	93	ASSEMBLY GUN W/S.S. LANCE 48"	851-0309	1
42	WASHER	28-0002	8	94	QUICK CONNECT	17-0005	1
43	CARB CANISTER STRAP	20-1187A01	2	95	GUN	16-0343	1
44	CARB CANISTER	62-0212	1	96	GRIP	7-0002	1
45	LOCKNUT	30-0161	4	97	WAND	16-0342A01	1
46	WASHER	28-0030	8	98	DECAL - RISK OF INJECTION (SEE 71-1028)	N/A	1
47	PUMP BRACKET	5-0101A01	1	99	QUICK CONNECT	17-0036	1
48	LOCKWASHER	29-0055	4	100	O-RING	25-0122	1
49	BOLT	27-8471	4	101	O-RING	25-0123	1
50	DECAL	N/A	1	102	PRESSURE HOSE ASSEMBLY	851-0317	1
51	DECAL - MADE IN USA	34-3553	1	103	QC SOCKET	17-0041	1
52	BOLT	27-0167	4	104	HOSE	15-0178	1
53	BOLT	27-0118	2	105	QUICK CONNECT	17-0006	1
54	BRACKET	13-0003A01	1	106	BATTERY	32-0058	1
55	BOLT	27-0576	1	-	DECAL SET	71-1028	1

\*MUST ORDER IN ONE FOOT LENGTHS

# FRAME ASSEMBLY FOR 5005



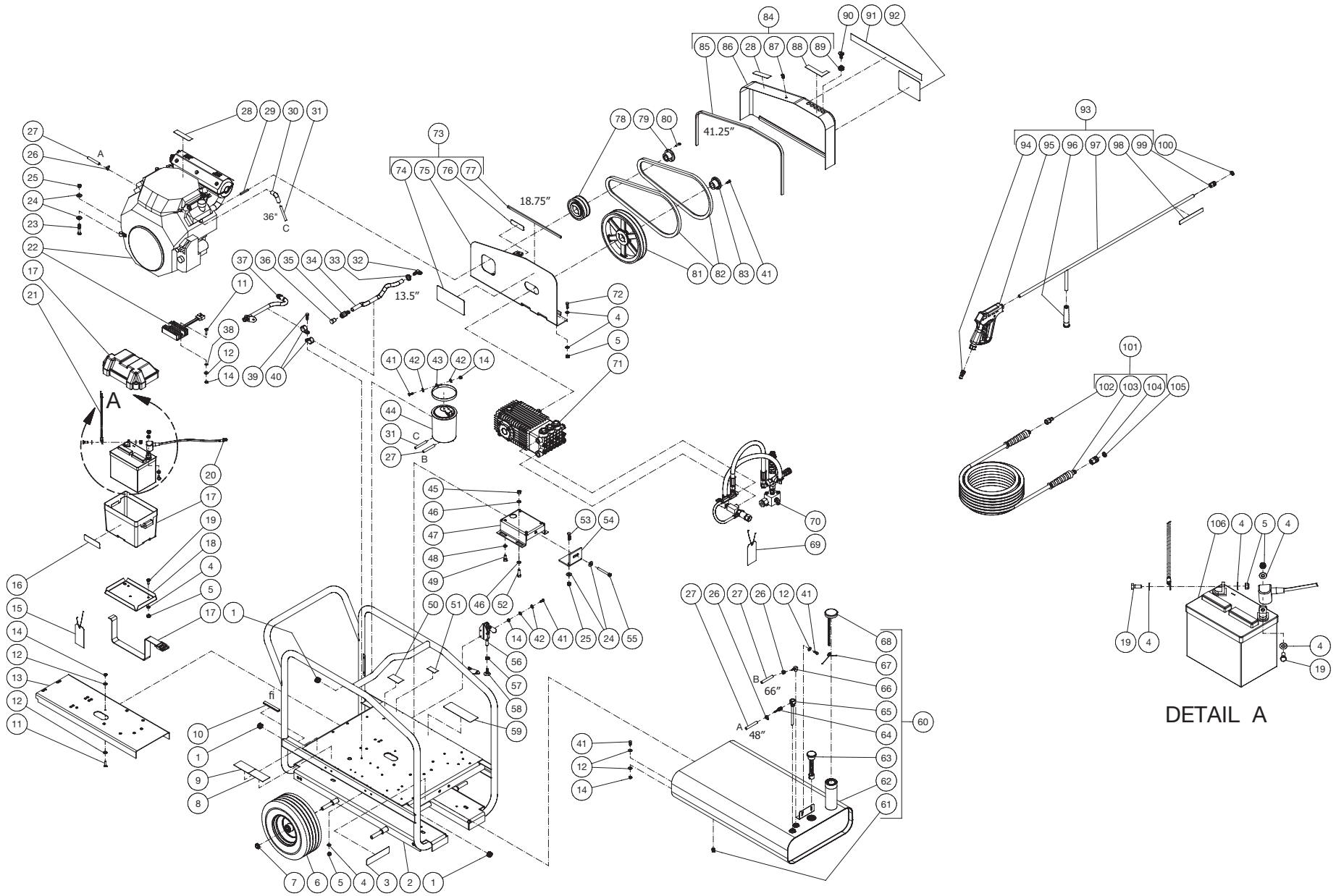
## DETAIL A



DC-5005-WC4H6G 062717 JJR

FRAME ASSEMBLY							
ITEM	DESCRIPTION	PART #	QTY	ITEM	DESCRIPTION	PART #	ITEM
1	GROMMET	33-0002	4	56	PUSH/PULL TOGGLE CLAMP	33-0400	1
2	FRAME	5-0136A01	1	57	NUT	30-0004	1
3	DECAL - RISK OF BURNS (SEE 71-1028)	N/A	1	58	BOLT	27-9550	1
4	WASHER	28-0003	15	59	DECAL - OPERATION (SEE 71-1028)	N/A	1
5	LOCKNUT	30-0157	9	60	GAS TANK ASSY - 50 ST	851-0400	1
6	WHEEL	14-0150	4	61	PLUG	24-0009	1
7	LOCKNUT	30-0117	4	62	FUEL TANK	12-0248A09	1
8	DECAL	N/A	1	63	FUEL GAUGE	12-0263	1
9	DECAL- SILVER STICKER	N/A	1	64	BARB	23-0051	1
10	EDGING *(ONE FOOT REQUIRED)	33-0020	1	65	FUEL PICK UP	33-0271	1
11	BOLT	27-0016	3	66	ELBOW	23-0054	1
12	WASHER	28-0021	10	67	FUEL CAP CATCH	12-0228	1
13	SUPPORT BRACKET	13-0120A01	1	68	FUEL CAP	12-0229	1
14	LOCKNUT	30-0155	9	69	TAG - WATER SUPPLY INLET (E)	N/A	1
15	TAG	N/A	1	70	PLUMBING ASSEMBLY 5004_5005	N/A	1
16	DECAL - RISK OF INJURY (SEE 71-1028)	N/A	1	71	PUMP ASSEMBLY	3-0262	1
17	BATTERY BOX	33-0092	1	72	BOLT	27-0067	4
18	BATTERY RETAINER	20-0264A01	1	73	ASSEMBLY - BELTGUARD BACK	851-0310	1
19	BOLT	27-0066	4	74	DECAL - WARNING (SEE 71-1028)	N/A	1
20	CABLE	32-9112	1	75	BELTGUARD BACK	N/A	1
21	CABLE	32-9111	1	76	DECAL - WARNING (SEE 71-1028)	N/A	1
22	ENGINE ASSY	851-0385	1	77	EDGING *(TWO FEET REQUIRED)	33-0020	1
23	BOLT	27-0121	4	78	SHEAVE	10-0043	1
24	WASHER	28-0023	11	79	BUSHING	9-0005	1
25	LOCKNUT	30-0159	6	80	BOLT	27-0771	2
26	CLAMP WORM	42-0004	3	81	SHEAVE	10-0046	1
27	FUEL HOSE *(TEN FEET REQUIRED)	15-0008	1	82	BELT	11-0068	2
28	DECAL - RISK OF BURNS (SEE 71-1028)	N/A	2	83	BUSHING	9-0017	1
29	KEY	43-0078	1	84	ASSEMBLY BELTGUARD COVER	851-0324	1
30	AIR CLEANER ADAPTER	62-0229	1	85	EDGING *(FOUR FEET REQUIRED)	33-0020	1
31	FUEL HOSE *(THREE FEET REQUIRED)	15-0261	2	86	BELTGUARD COVER	N/A	1
32	ELBOW	23-0119	1	87	FASTENER	33-0197	1
33	HOSE CLAMP	42-0011	1	88	DECAL - NOZZLE	N/A	1
34	HOSE *(TWO FEET REQUIRED)	15-0305	1	89	GROMMET	33-0001	5
35	HOSE BARB	23-0360	1	90	NOZZLE	18-0402	1
36	PLUG	23-0411	1	-	NOZZLE	18-0403	1
37	DRAIN HOSE	70-0555	1	-	NOZZLE	18-0404	1
38	LOCKWASHER	28-1028	2	-	NOZZLE	18-0405	1
39	BOLT	27-0068	1	91	DECAL - STRIPE SEE DX OPTION	N/A	1
40	CLIP	33-0291	2	92	DECAL - LOGO SEE DX OPTION	N/A	1
41	BOLT	27-0015	8	93	ASSEMBLY GUN W/S.S. LANCE 48"	851-0309	1
42	WASHER	28-0002	8	94	QUICK CONNECT	17-0005	1
43	CARB CANISTER STRAP	20-1187A01	2	95	GUN	16-0343	1
44	CARB CANISTER	62-0212	1	96	GRIP	7-0002	1
45	LOCKNUT	30-0161	4	97	WAND	16-0342A01	1
46	WASHER	28-0030	8	98	DECAL - RISK OF INJECTION (SEE 71-1028)	N/A	1
47	PUMP BRACKET	5-0101A01	1	99	QUICK CONNECT	17-0036	1
48	LOCKWASHER	29-0055	4	100	O-RING	25-0122	1
49	BOLT	27-8471	4	101	O-RING	25-0123	1
50	DECAL	N/A	1	102	HIGH PRESSURE HOSE ASSEMBLY	851-0317	1
51	DECAL - MADE IN USA	34-3553	1	103	QC SOCKET	17-0041	1
52	BOLT	27-0167	4	104	HOSE	15-0178	1
53	BOLT	27-0118	2	105	QUICK CONNECT	17-0006	1
54	BRACKET	13-0003A01	1	106	BATTERY	32-0058	1
55	BOLT	27-0576	1	-	DECAL SET	71-1028	1

# FRAME ASSEMBLY FOR 6004



DC-6004-WC4H6G 062717 JJR

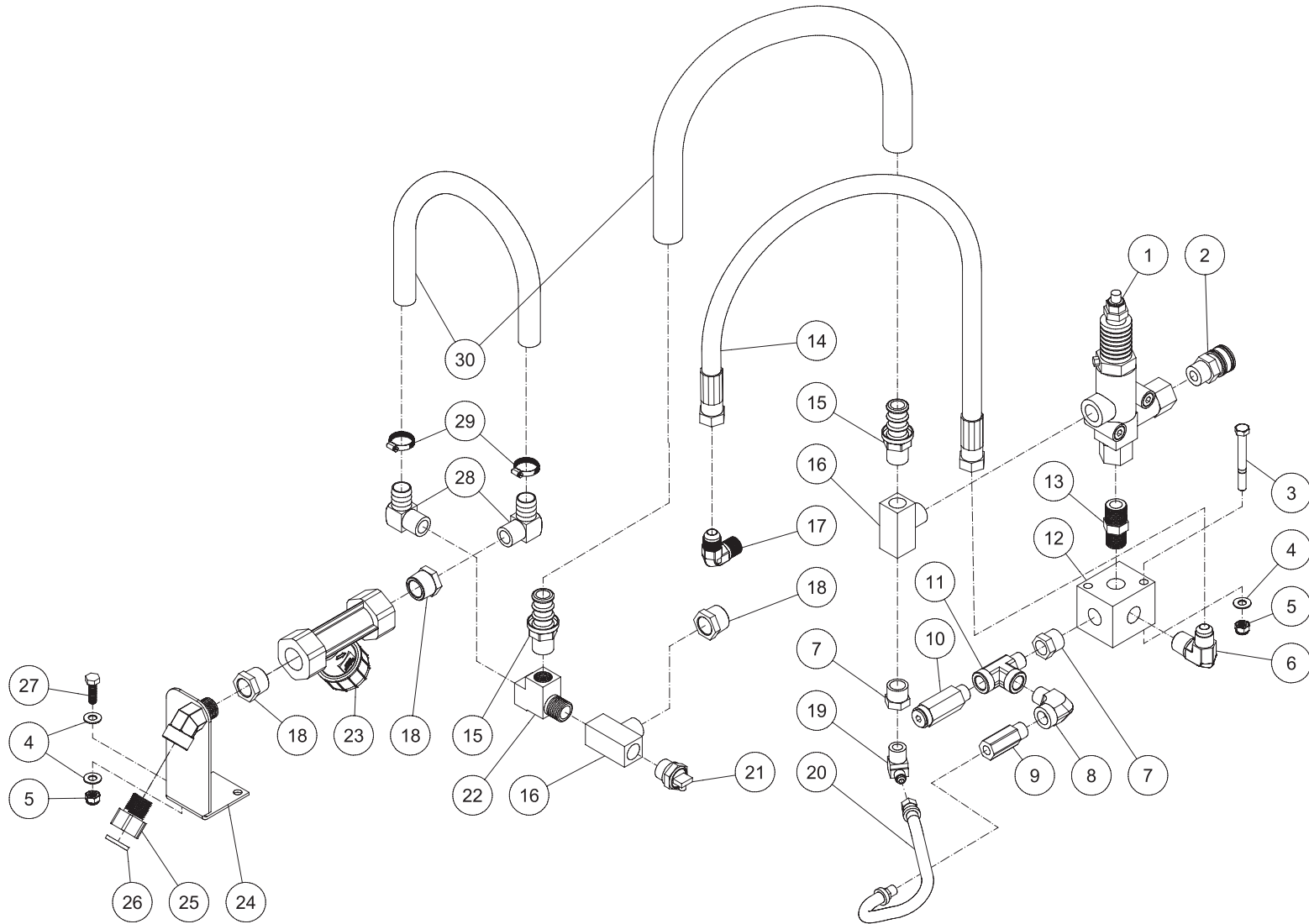
FRAME ASSEMBLY							
ITEM	DEWSCRIPTION	PART #	QTY	ITEM	DESCRIPTION	PART #	QTY
1	GROMMET	33-0002	4	56	PUSH/PULL TOGGLE CLAMP	33-0400	1
2	FRAME	5-0136A01	1	57	NUT	30-0004	1
3	DECAL - RISK OF BURNS (SEE 71-1028)	N/A	1	58	BOLT	27-9550	1
4	WASHER	28-0003	15	59	DECAL - OPERATION (SEE 71-1028)	N/A	1
5	LOCKNUT	30-0157	9	60	GAS TANK ASSY - CWC/50 ST	851-0400	1
6	WHEEL	14-0150	4	61	PLUG	24-0009	1
7	LOCKNUT	30-0117	4	62	FUEL TANK	12-0248A09	1
8	DECAL	N/A	1	63	FUEL GAUGE	12-0263	1
9	DECAL- SILVER STICKER	N/A	1	64	BARB	23-0051	1
10	EDGING *(ONE FOOT REQUIRED)	33-0020	1	65	FUEL PICK UP	33-0271	1
11	BOLT	27-0016	3	66	ELBOW	23-0054	1
12	WASHER	28-0021	10	67	FUEL CAP CATCH	12-0228	1
13	SUPPORT BRACKET	13-0120A01	1	68	FUEL CAP	12-0229	1
14	LOCKNUT	30-0155	9	69	TAG - WATER SUPPLY INLET (E)	N/A	1
15	TAG	N/A	1	70	UNLOADER ASSEMBLY 6004	N/A	1
16	DECAL - RISK OF INJURY (SEE 71-1028)	N/A	1	71	PUMP	3-0261	1
17	BATTERY BOX	33-0092	1	72	BOLT	27-0067	4
18	BATTERY RETAINER	20-0264A01	1	73	ASSEMBLY - BELTGUARD BACK	851-0310	1
19	BOLT	27-0066	4	74	DECAL - WARNING (SEE 71-1028)	N/A	1
20	CABLE	32-9112	1	75	BELTGUARD BACK	N/A	1
21	CABLE	32-9111	1	76	DECAL - WARNING (SEE 71-1028)	N/A	1
22	ENGINE ASSY	851-0385	1	77	EDGING *(TWO FEET REQUIRED)	33-0020	1
23	BOLT	27-0121	4	78	SHEAVE	10-0043	1
24	WASHER	28-0023	11	79	BUSHING	9-0005	1
25	LOCKNUT	30-0159	6	80	BOLT	27-0771	2
26	CLAMP WORM	42-0004	3	81	SHEAVE	10-0046	1
27	FUEL HOSE *(TEN FEET REQUIRED)	15-0008	4	82	BELT	11-0068	2
28	DECAL - RISK OF BURNS (SEE 71-1028)	N/A	2	83	BUSHING	9-0017	1
29	KEY	43-0078	1	84	ASSEMBLY - BELTGUARD COVER	851-0324	1
30	AIR CLEANER ADAPTER	62-0229	1	85	EDGING *(FOUR FEET REQUIRED)	33-0020	1
31	FUEL HOSE *(THREE FEET REQUIRED)	15-0261	2	86	BELTGUARD COVER	N/A	1
32	ELBOW	23-0119	1	87	FASTENER	33-0197	1
33	HOSE CLAMP	42-0011	1	88	DECAL - NOZZLE	N/A	1
34	HOSE *(TWO FEET REQUIRED)	15-0305	1	89	GROMMET	33-0001	5
35	HOSE BARB	23-0360	1	90	NOZZLE	18-0387	1
36	PLUG	23-0411	1	-	NOZZLE	18-0388	1
37	DRAIN HOSE	70-0555	1	-	NOZZLE	18-0390	1
38	LOCKWASHER	28-1028	2	-	NOZZLE	18-0391	1
39	BOLT	27-0068	1	91	DECAL - STRIPE SEE DX OPTION	N/A	1
40	CLIP	33-0291	2	92	DECAL - LOGO SEE DX OPTION	N/A	1
41	BOLT	27-0015	8	93	ASSEMBLY - GUN W/S.S. LANCE 48"	851-0361	1
42	WASHER	28-0002	8	94	QUICK CONNECT	17-0005	1
43	CARB CANISTER STRAP	20-1187A01	2	95	GUN	16-0447	1
44	CARB CANISTER	62-0212	1	96	GRIP	7-0002	1
45	LOCKNUT	30-0161	4	97	WAND	16-0342A01	1
46	WASHER	28-0030	8	98	DECAL - RISK OF INJECTION (SEE 71-1028)	N/A	1
47	PUMP BRACKET	5-0101A01	1	99	QUICK CONNECT	17-0036	1
48	LOCKWASHER	29-0055	4	100	O-RING	25-0122	1
49	BOLT	27-8471	4	101	HOSE ASSEMBLY	851-0317	1
50	DECAL	N/A	1	102	QUICK CONNECT	17-0006	1
51	DECAL - MADE IN USA	34-3553	1	103	HOSE	15-0178	1
52	BOLT	27-0167	4	104	QC SOCKET	17-0041	1
53	BOLT	27-0118	2	105	O-RING	25-0123	1
54	BRACKET	13-0003A01	1	106	BATTERY	32-0058	1
55	BOLT	27-0576	1	-	DECAL SET	71-1028	1

\*MUST ORDER IN ONE FOOT LENGTHS



FRAME ASSEMBLY							
ITEM	DESCRIPTION	PART #	QTY	ITEM	DESCRIPTION	PART #	QTY
1	GROMMET	33-0002	4	57	BRACKET	13-0003A01	1
2	FRAME	5-0136A01	1	58	BOLT	27-0576	1
3	DECAL - RISK OF BURNS (SEE 71-1028)	N/A	1	59	PUSH/PULL TOGGLE CLAMP	33-0400	1
4	WASHER	28-0003	17	60	NUT	30-0004	1
5	LOCKNUT	30-0157	9	61	BOLT	27-9550	1
6	WHEEL	14-0150	4	62	DECAL - OPERATION (SEE 71-1028)	N/A	1
7	LOCKNUT	30-0117	4	63	GAS TANK ASSEMBLY	851-0400	1
8	DECAL- MI-T-M EMISSIONS	N/A	1	64	PLUG	24-0009	1
9	DECAL - SILVER STICKER	N/A	1	65	FUEL TANK	12-0248A09	1
10	EDGING *(ONE FOOT REQUIRED)	33-0020	1	66	FUEL GAUGE	12-0263	1
11	BOLT	27-0016	3	67	BARB	23-0051	1
12	WASHER	28-0021	10	68	FUEL PICK UP	33-0271	1
13	SUPPORT BRACKET	13-0120A01	1	69	ELBOW	23-0054	1
14	LOCKNUT	30-0155	9	70	FUEL CAP CATCH	12-0228	1
15	BOLT	27-0066	6	71	FUEL CAP	12-0229	1
16	BATTERY BOX	33-0092	1	72	TAG - WATER SUPPLY INLET (E)	N/A	1
17	BATTERY RETAINER	20-0264A01	1	73	PLUMBING ASSEMBLY	N/A	1
18	CABLE	32-9111	1	74	PUMP	3-0430	1
19	TERMINAL RING	32-0097	2	75	BOLT	27-0067	4
20	CABLE	32-0065 RED	1	76	SHEAVE	10-0154	1
21	DECAL - RISK OF INJURY (SEE 71-1028)	N/A	1	77	ASSEMBLY - BELTGUARD BACK	851-0310	1
22	TAG	N/A	1	78	DECAL - WARNING (SEE 71-1028)	N/A	1
23	BATTERY	32-0058	1	79	BELTGUARD BACK	N/A	1
24	BATTERY CABLE COVER	33-0004	1	80	DECAL - WARNING (SEE 71-1028)	N/A	1
25	ENGINE ASSEMBLY	851-0418	1	81	EDGING *(TWO FEET REQUIRED)	33-0020	1
26	BOLT	27-0121	4	82	SHEAVE	10-0061	1
27	WASHER	28-0023	11	83	BELT	11-0054	3
28	LOCKNUT	30-0159	6	84	BUSHING	9-0010	1
29	CLAMP WORM	42-0004	3	85	BOLT	27-0771	2
30	FUEL HOSE *(TEN FEET REQUIRED)	15-0008	1	86	BUSHING	9-0017	1
31	DECAL - RISK OF BURNS (SEE 71-1028)	N/A	2	87	ASSEMBLY BELTGUARD COVER	851-0324	1
32	ELBOW	23-0119	1	88	EDGING *(FOUR FEET REQUIRED)	33-0020	1
33	HOSE CLAMP	42-0011	1	89	BELTGUARD COVER	N/A	1
34	HOSE *(TWO FEET REQUIRED)	15-0305	1	90	FASTENER	33-0197	1
35	HOSE BARB	23-0360	1	91	DECAL - NOZZLE	34-0500	1
36	PLUG	23-0411	1	92	GROMMET	33-0001	5
37	FUEL HOSE *(THREE FEET REQUIRED)	15-0261	1	93	NOZZLE - 15°	18-0426	1
38	AIR CLEANER ADAPTER	62-0229	1	-	NOZZLE - 25°	18-0427	1
39	DRAIN HOSE	70-0555	1	-	NOZZLE	18-0449	1
40	KEY	43-0078	1	-	NOZZLE	18-0450	1
41	LOCKWASHER	28-1028	2	94	DECAL - STRIPE SEE DX OPTION	N/A	1
42	BOLT	27-0068	1	95	DECAL - LOGO SEE DX OPTION	N/A	1
43	CLIP	33-0291	2	96	ASSEMBLY GUN W/S.S. LANCE 48"	851-0361	1
44	BOLT	27-0015	10	97	QUICK CONNECT	17-0005	1
45	WASHER	28-0002	8	98	GUN	16-0447	1
46	CARB CANISTER STRAP	20-1187A01	2	99	GRIP	7-0002	1
47	CARB CANISTER	62-0212	1	100	WAND	16-0342A01	1
48	LOCKNUT	30-0161	4	101	DECAL - RISK OF INJECTION (SEE 71-1028)	N/A	1
49	WASHER	28-0030	8	102	QUICK CONNECT	17-0036	1
50	PUMP BRACKET	5-0101A01	1	103	O-RING	25-0122	1
51	LOCKWASHER	29-0055	4	104	O-RING	25-0123	1
52	BOLT	27-8471	4	105	HIGH PRESSURE HOSE ASSEMBLY	851-0420	1
53	DECAL	N/A	1	106	QC SOCKET	17-0041	1
54	DECAL - MADE IN USA	34-3553	1	107	HOSE	15-0365	1
55	BOLT	27-0167	4	108	QUICK CONNECT	17-0006	1
56	BOLT	27-0118	2	-	DECAL SET	71-1028	1

# PLUMBING ASSEMBLY 3008

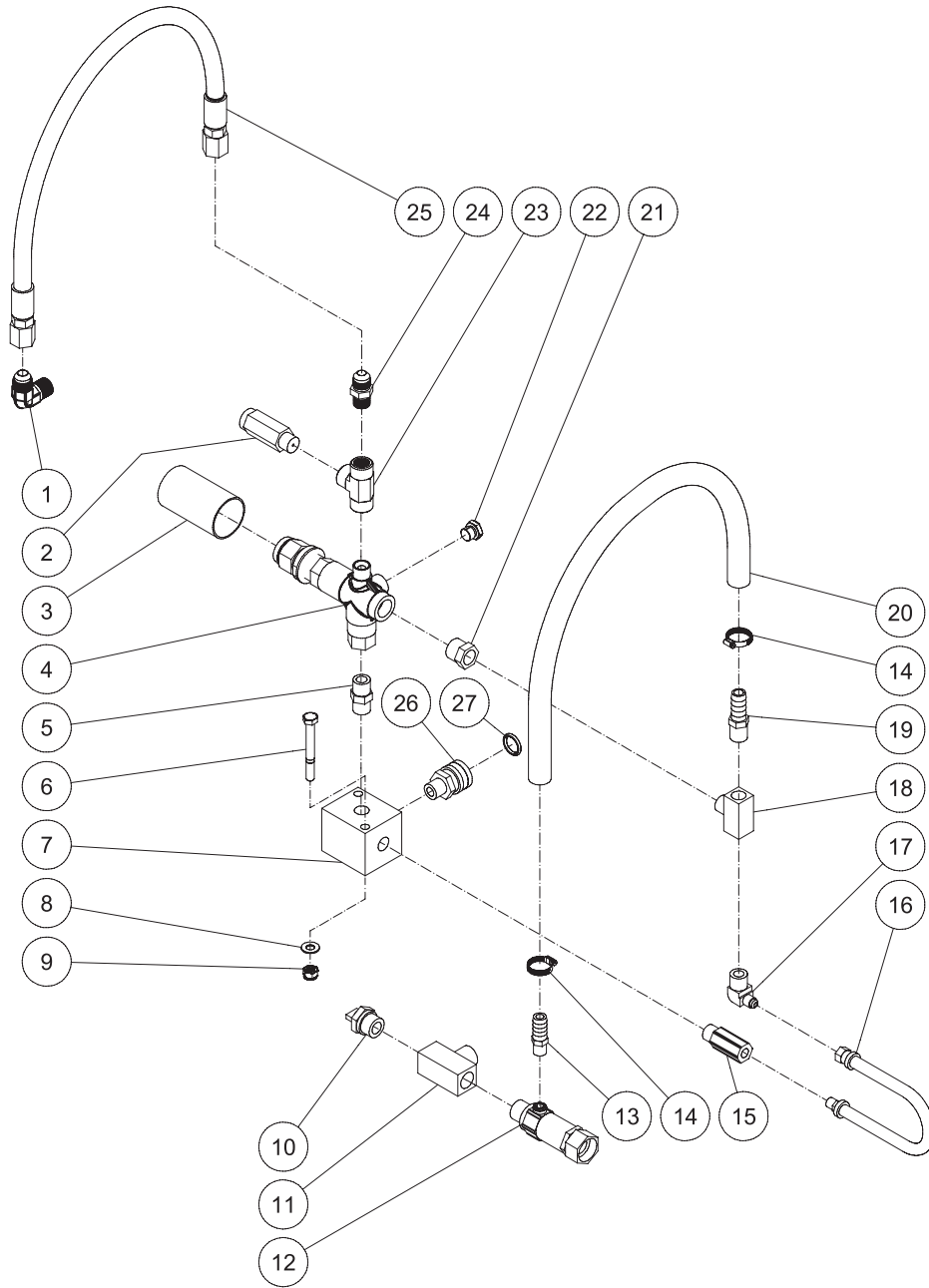


CWC-PLUMBING ASSEMBLY 3008 050814 ALC



CWC PLUMBING ASSEMBLY 3008 050814 ALC			
CWC PLUMBING ASSEMBLY 3008			
ITEM	DESCRIPTION	PART #	QTY
1	UNLOADER	8-0032	1
2	QUICK CONNECT SOCKET	17-0029	1
3	BOLT	27-0074	2
4	WASHER	28-0003	6
5	LOCKNUT	30-0157	4
6	90° ELBOW FITTING	24-0074	1
7	REDUCER BUSHING	23-0016	2
8	ELBOW	24-0105	1
9	EASY START VALVE	22-0242	1
10	SAFETY VALVE	22-0376	1
11	STREET TEE	23-0058	1
12	MANIFOLD BLOCK	51-0034	1
13	NIPPLE	24-0031	1
14	HIGH PRESSURE HOSE ASSEMBLY	15-0221	1
15	BARB	23-0007	2
16	TEE	23-0235	2
17	ELBOW	24-0092	1
18	BUSHING	23-0023	3
19	ELBOW	23-0324	1
20	HOSE	15-0140	1
21	RELIEF VALVE	22-0005	1
22	TEE	23-0124	1
23	INLET FILTER	19-0238	1
24	INLET BRACKET	20-0428A01	1
25	SWIVEL	23-0095	1
26	GARDEN HOSE GASKET	26-0001	1
27	BOLT	27-0067	2
28	ELBOW	23-0037	2
29	HOSE CLAMP	42-0003	2
30	HOSE *(TWO FEET REQUIRED)	15-0035	1
*MUST ORDER IN ONE FOOT LENGTHS			

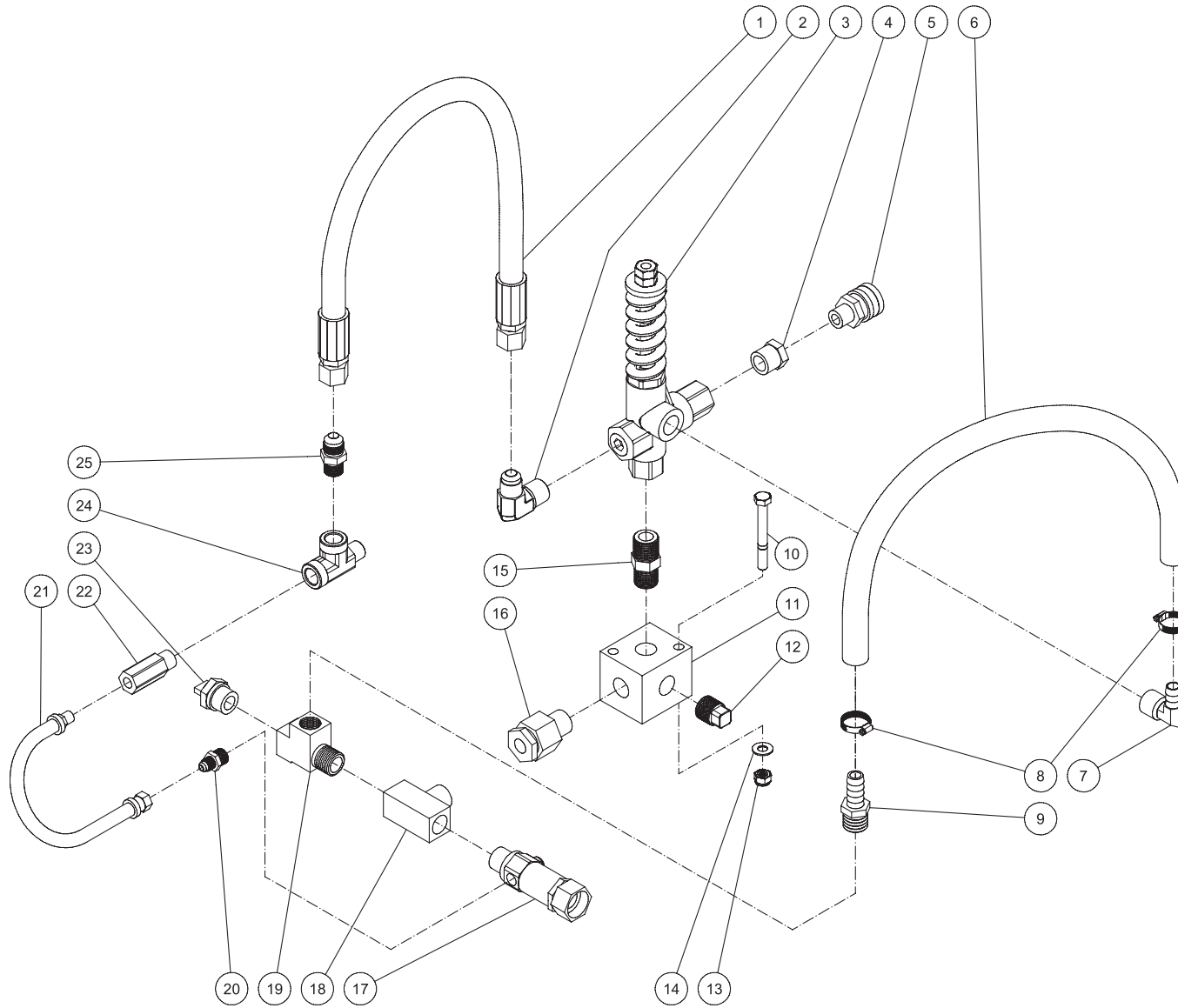
# PLUMBING ASSEMBLY 5004\_5005



CWC-PLUMBING ASSEMBLY 5004\_5005 050814 ALC

CWC PLUMBING ASSEMBLY 5004_5005 050814 ALC			
CWC-PLUMBING ASSEMBLY			
ITEM	DESCRIPTION	PART #	QTY
1	ELBOW	24-0092	1
2	VALVE	22-0319	1
3	HEAT SHRINK TUBING *(ONE FOOT REQUIRED)	33-0272	1
4	UNLOADER	8-0522	1
5	NIPPLE	24-0010	1
6	BOLT	27-0074	2
7	MANIFOLD BLOCK	51-0020	1
8	WASHER	28-0003	2
9	LOCKNUT	30-0157	2
10	RELIEF VALVE	22-0005	1
11	TEE	23-0235	1
12	FILTER	19-0207	1
13	HOSE BARB	23-0120	1
14	HOSE CLAMP	42-0011	2
15	EASY START VALVE	22-0242	1
16	HOSE	15-0140	1
17	ELBOW	23-0324	1
18	TEE	23-0117	1
19	HOSE BARB	23-0105	1
20	HOSE *(THREE FEET REQUIRED)	15-0007	1
21	REDUCER BUSHING	23-0016	1
22	PLUG	39-0017	1
23	TEE	24-0026	1
24	NIPPLE	24-0002	1
25	HOSE	15-0254	1
26	QUICK CONNECT	17-0042	1
27	O-RING	25-0123	1
*MUST ORDER IN ONE FOOT LENGTHS			

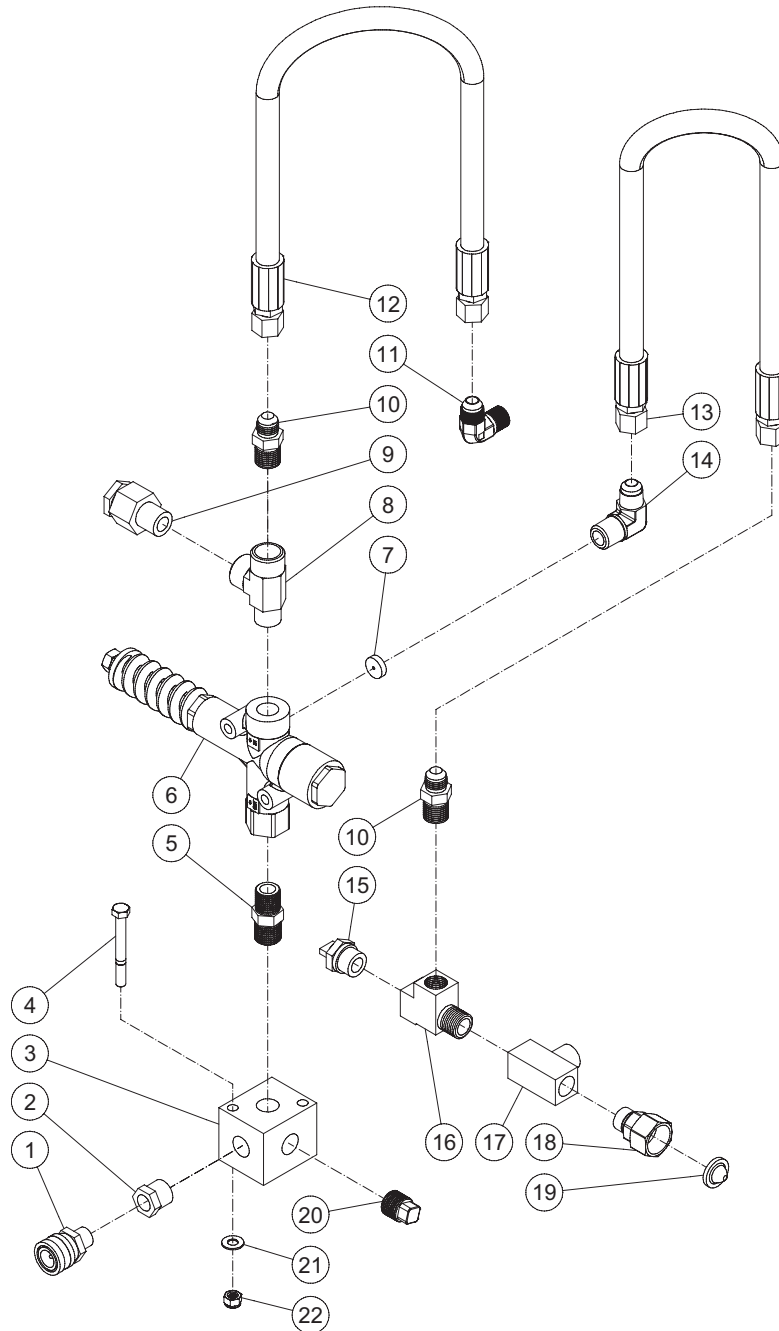
# PLUMBING ASSEMBLY 6004



CWC-PLUMBING ASSEMBLY 6004 050814 ALC

CWC-PLUMBING ASSEMBLY 6004 050814 ALC			
CWC-PLUMBING ASSEMBLY 6004			
ITEM	DESCRIPTION	PART #	QTY
1	HOSE	15-0254	1
2	90° ELBOW FITTING	24-0074	1
3	UNLOADER	8-0373	1
4	REDUCER	24-0282	1
5	QUICK CONNECT	17-0042	1
6	HOSE *(TWO FEET REQUIRED)	15-0007	1
7	HOSE BARB	23-0418	1
8	HOSE CLAMP	42-0011	2
9	BARB	23-0045	1
10	BOLT	27-0074	2
11	MANIFOLD BLOCK	51-0034	1
12	PLUG	39-0016	1
13	LOCKNUT	30-0157	2
14	WASHER	28-0003	2
15	NIPPLE	24-0031	1
16	BURST DISC AND HOLDER	22-0217	1
17	FILTER	19-0207	1
18	TEE	23-0235	1
19	TEE	23-0124	1
20	NIPPLE	23-0247	1
21	HOSE	15-0140	1
22	EASY START VALVE	22-0242	1
23	RELIEF VALVE	22-0005	1
24	STREET TEE	23-0058	1
25	NIPPLE	24-0002	1
*MUST ORDER IN ONE FOOT LENGTHS			

# PLUMBING ASSEMBLY 7004

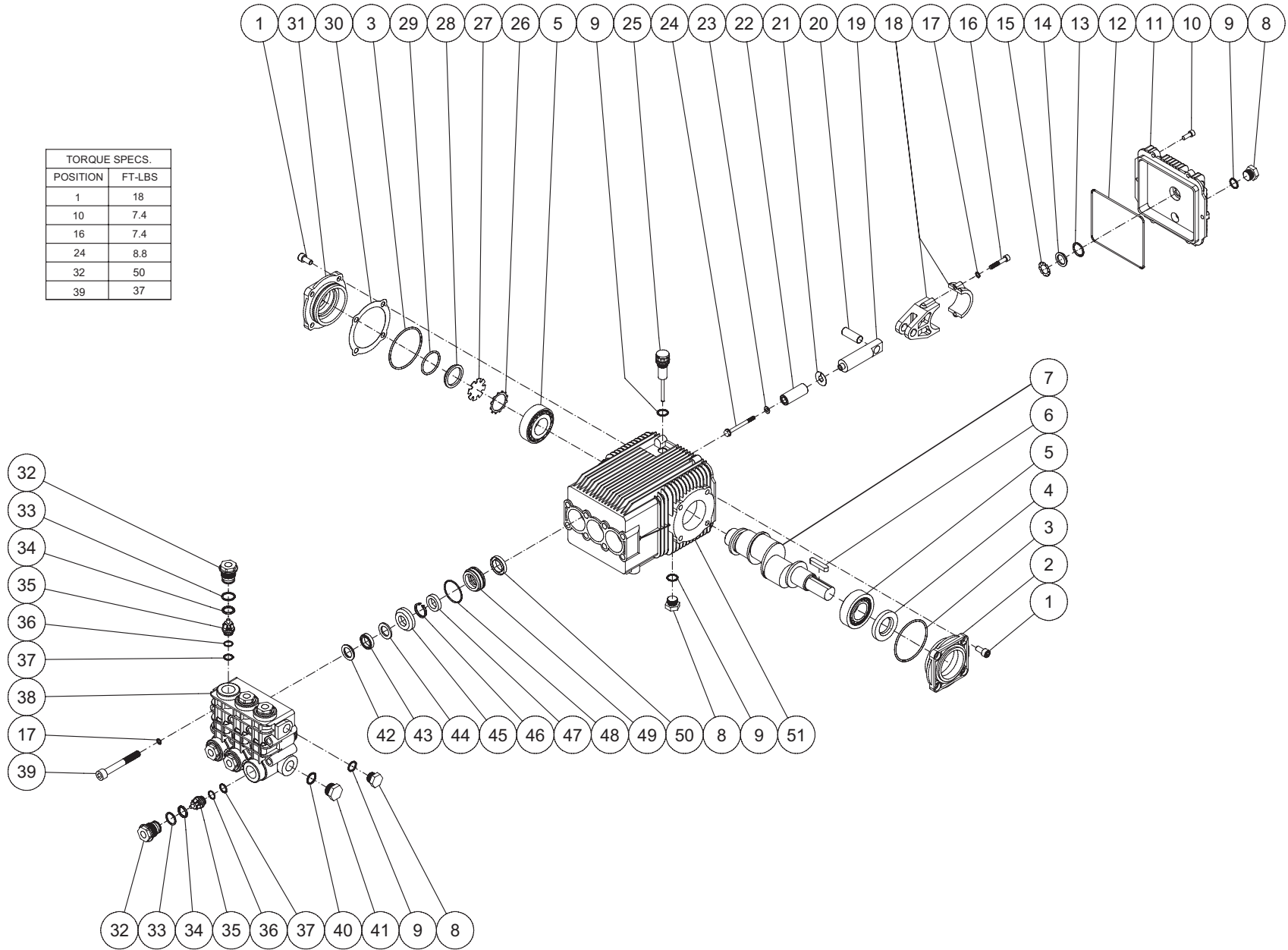


CWC-PLUMBING ASSEMBLY 7004 081117 JVA

CWC-PLUMBING ASSEMBLY 7004 081117 JVA			
CWC-PLUMBING ASSEMBLY 7004			
ITEM	DESCRIPTION	PART #	QTY
1	QUICK CONNECT	17-0042	1
2	REDUCER	24-0282	1
3	MANIFOLD BLOCK	51-0034	1
4	BOLT	27-0074	2
5	NIPPLE	24-0031	1
6	UNLOADER	8-0636	1
7	RESTRICTOR WASHER	8-0654	1
8	STREET TEE	24-0242	1
9	BURST DISC AND HOLDER	22-0217	1
10	NIPPLE	24-0054	2
11	ELBOW	24-0092	1
12	HOSE	15-0366	1
13	HOSE	15-0254	1
14	90° ELBOW FITTING	24-0074	1
15	RELIEF VALVE	22-0005	1
16	TEE	23-0124	1
17	TEE	23-0235	1
18	GARDEN HOSE ASSY.	23-0095	1
19	FILTER	19-0001	1
20	PLUG	39-0016	1
21	WASHER	28-0003	2
22	LOCKNUT	30-0157	2

# PUMP ASSEMBLY (3-0213)

TORQUE SPECS.	
POSITION	FT-LBS
1	18
10	7.4
16	7.4
24	8.8
32	50
39	37



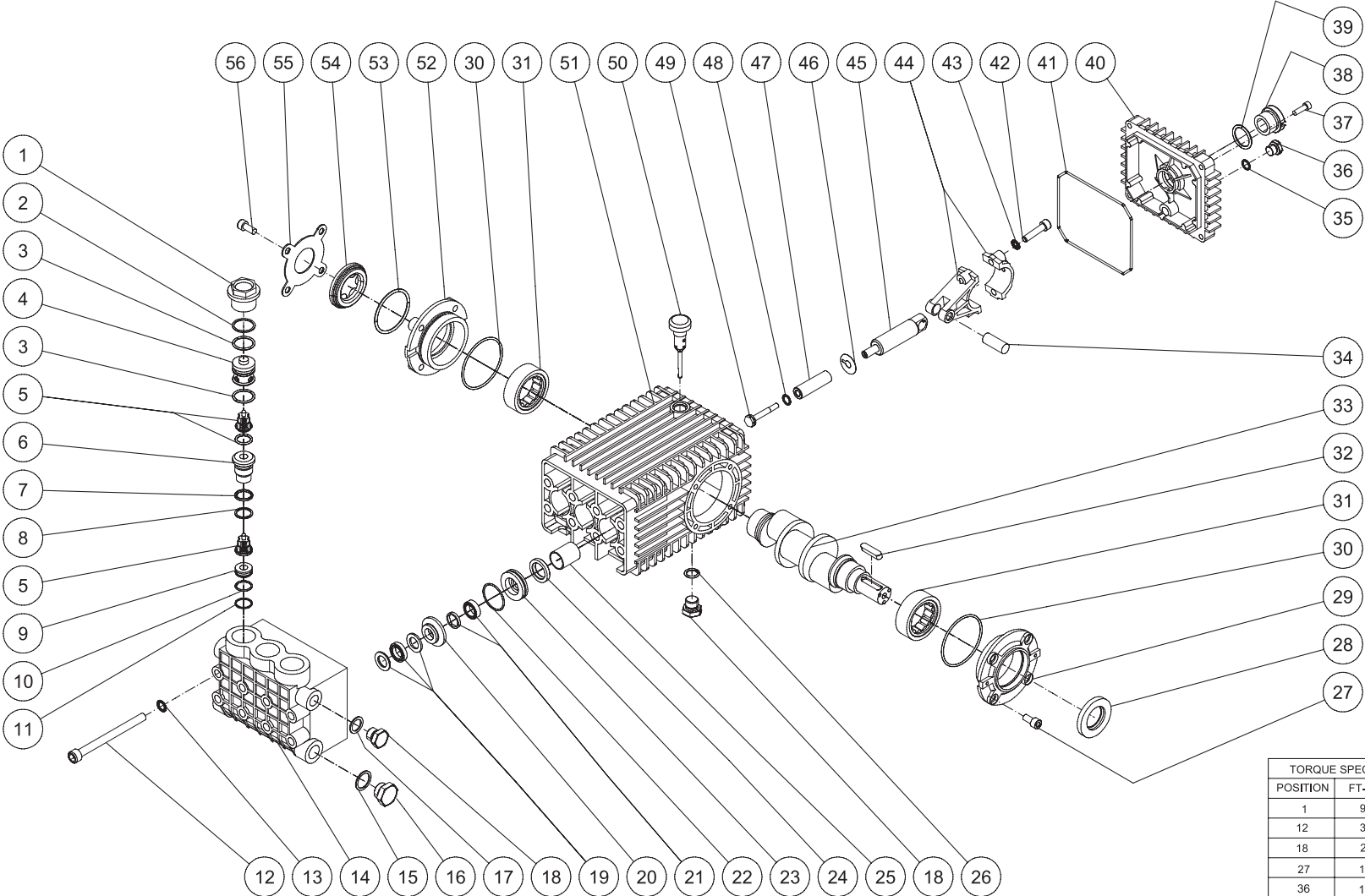
3-0213-061113-MLK



PUMP ASSEMBLY							
ITEM	DESCRIPTION	Mi-T-M #	QTY	ITEM	DESCRIPTION	Mi-T-M #	QTY
1	BOLT	27-8884	8	28	OIL SIGHT GLASS	46-0926	1
2	COVER	46-0909	1	29	O-RING	25-0514	1
3	O-RING	25-0512	2	30	SHIM - .05mm	46-0947	1
4	OIL SEAL	26-0243	1	-	SHIM - .10mm	46-0948	0
5	BEARING	48-0073	2	-	SHIM - .19mm	46-0949	0
6	PUMP KEY	43-0091	1	-	SHIM - .25mm	46-0950	0
7	CRANKSHAFT	46-0944	1	31	COVER	46-0918	1
8	PLUG	39-0203	3	32	VALVE CAP	39-0201	6
9	O-RING	25-0510	4	33	BACK-UP RING	25-0509	6
10	BOLT	27-8888	6	34	O-RING	25-0386	6
11	COVER	46-0912	1	35	VALVE (SEE KIT 70-0314)	22-0318	6
12	O-RING	25-0513	1	36	BACK-UP RING (SEE KIT 70-0314)	25-0516	6
13	O-RING	25-0370	1	37	O-RING (SEE KIT 70-0314)	25-0407	6
14	OIL SIGHT GLASS	46-0670	1	38	PUMP MANIFOLD	46-0900	1
15	SPRING RETAINER	46-0671	1	39	BOLT	27-8470	8
16	BOLT	27-8892	6	40	O-RING	25-0372	1
17	LOCKWASHER	29-0153	14	41	PLUG	39-0202	1
18	CONNECTING ROD	46-0913	3	42	SUPPORT RING (SEE KIT 70-0317)	46-0901	3
19	PLUNGER ROD	46-0915	3	43	HIGH PRESSURE SEAL (SEE KIT 70-0317)	46-0902	3
20	PIN	46-0914	3	44	BACK-UP RING (SEE KIT 70-0317)	46-0903	3
21	WASHER	46-0916	3	45	GUIDE	46-1201	3
22	PISTON	46-0917	3	46	BACK-UP RING (SEE KIT 70-0317)	46-0905	3
23	WASHER	29-0014	3	47	LOW PRESSURE SEAL (SEE KIT 70-0317)	46-0906	3
24	BOLT	27-8965	3	48	O-RING (SEE KIT 70-0317)	25-0511	3
25	DIPSTICK	39-0204	1	49	GUIDE REAR	46-1200	3
26	RETAINER	46-0924	1	50	OIL SEAL	26-0242	3
27	PUMP	46-0925	1	51	CRANKCASE	46-0911	1

REPLACEMENT KITS				
Mi-T-M KIT #	DESCRIPTION	ITEMS	# OF ASSEMBLIES	# OF CYLINDERS
70-0317	KIT - WATER SEALS	42-44, 46-48	3	3
70-0314	KIT - VALVES	35, 36, 37	6	3

# PUMP ASSEMBLY (3-0261)



TORQUE SPECS.	
POSITION	FT-LBS
1	95.9
12	33.2
18	29.5
27	14.8
36	14.8
37	7.4
42	14.8
49**	14.8
56	14.8

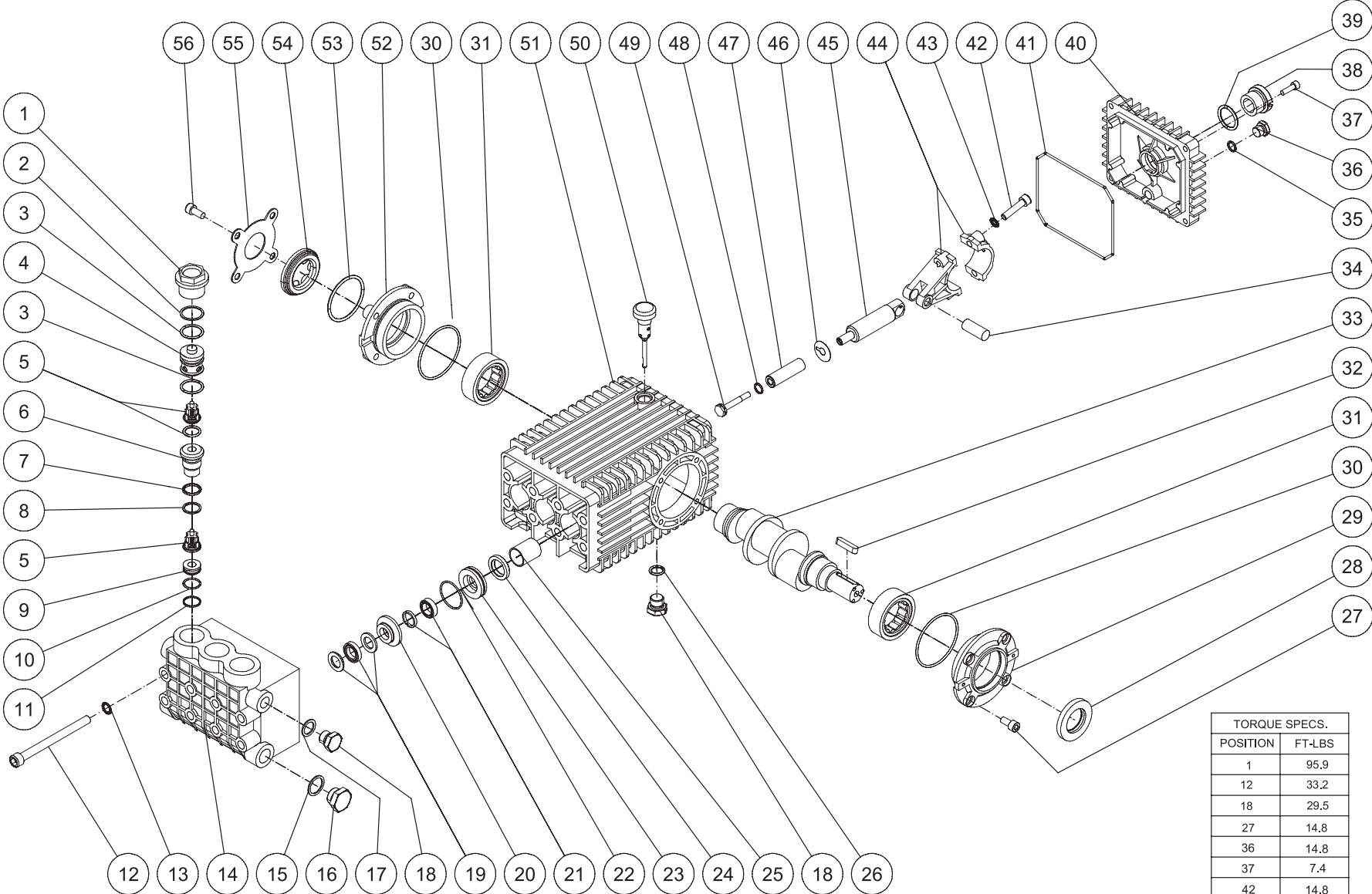
\*\* USE LOC-TITE 542

3-0261-061113-MLK

PUMP ASSEMBLY							
ITEM	DESCRIPTION	Mi-T-M #	QTY	ITEM	DESCRIPTION	Mi-T-M #	QTY
1	VALVE PLUG	46-1203	3	29	CRANKCASE COVER OPEN	46-1217	1
2	RING	25-0592	3	30	O-RING	25-0590	2
3	O-RING	25-0139	6	31	BEARING	48-0085	2
4	CAP	46-1206	3	32	KEY	46-0602	1
5	VALVE ASSEMBLY (SEE KIT 70-0431)	SEE KIT	6	33	CRANKSHAFT	46-1210	1
6	GUIDE	46-1205	3	34	CONNECTING ROD PIN	43-0118	3
7	O-RING	25-0160	3	35	O-RING	25-0014	1
8	BACKUP RING	25-0430	3	36	PLUG	39-0017	1
9	SPACER	46-1204	3	37	BOLT	27-8812	4
10	O-RING	25-0130	3	38	SIGHT GLASS	46-1163	1
11	BACKUP RING	25-0591	3	39	O-RING	25-0059	1
12	BOLT	27-8073	8	40	CRANKCASE COVER	46-1212	1
13	LOCKWASHER	29-0155	8	41	O-RING	25-0339	1
14	MANIFOLD	46-1202	1	42	BOLT	27-8435	6
15	WASHER	28-1038	1	43	LOCKWASHER	29-1014	1
16	PLUG	39-0019	1	44	CONNECTING ROD	46-1211	3
17	WASHER	28-1002	1	45	PLUNGER ROD	46-1213	3
18	PLUG	39-0018	2	46	SLINGER WASHER	46-1214	3
19	HIGH PRESSURE SEAL ASSEMBLY (SEE KIT 70-0433 & 70-0434)	SEE KIT	3	47	PLUNGER	46-1215	3
20	HIGH PRESSURE INTERMEDIATE SEAL RETAINER (SEE KIT 70-0434)	SEE KIT	3	48	O-RING	25-0310	3
21	LOW PRESSURE SEAL (SEE KIT 70-0433 & 70-0434)	SEE KIT	3	49	BOLT / PISTON	46-1216	3
22	O-RING (SEE KIT 70-0434)	25-0015	3	50	OIL DIP STICK	46-0144	1
23	LOW PRESSURE SEAL RETAINER (SEE KIT 70-0434)	SEE KIT	3	51	CRANKCASE	46-1209	1
24	OIT SEAL (SEE KIT 70-0432)	26-0047	3	52	CRANKCASE COVER	46-1208	1
25	BUSHING	9-0029	3	53	O-RING	25-0060	1
26	O-RING	25-0052	1	54	OIL LEVEL INDICATOR	46-0574	1
27	BOLT	27-8431	4	55	SIGHTGLASS COVER	46-1207	1
28	OIL SEAL	26-0049	1	56	BOLT	27-8433	4

REPLACEMENT KITS				
Mi-T-M KIT#	DESCRIPTION	ITEMS	# OF ASSEMBLIES	# OF CYLINDERS
70-0432	OIL SEAL KIT	24	3	3
70-0431	VALVE KIT	5	6	3
70-0433	LOW/HIGH PRESSURE SEALS	19, 21	3	3
70-0434	PACKING KIT	19-23	1	1

# PUMP ASSEMBLY (3-0262)



TORQUE SPECS.	
POSITION	FT-LBS
1	95.9
12	33.2
18	29.5
27	14.8
36	14.8
37	7.4
42	14.8
49**	14.8
56	14.8

\*\* USE LOC-TITE 542

3-0262 012318 MLK

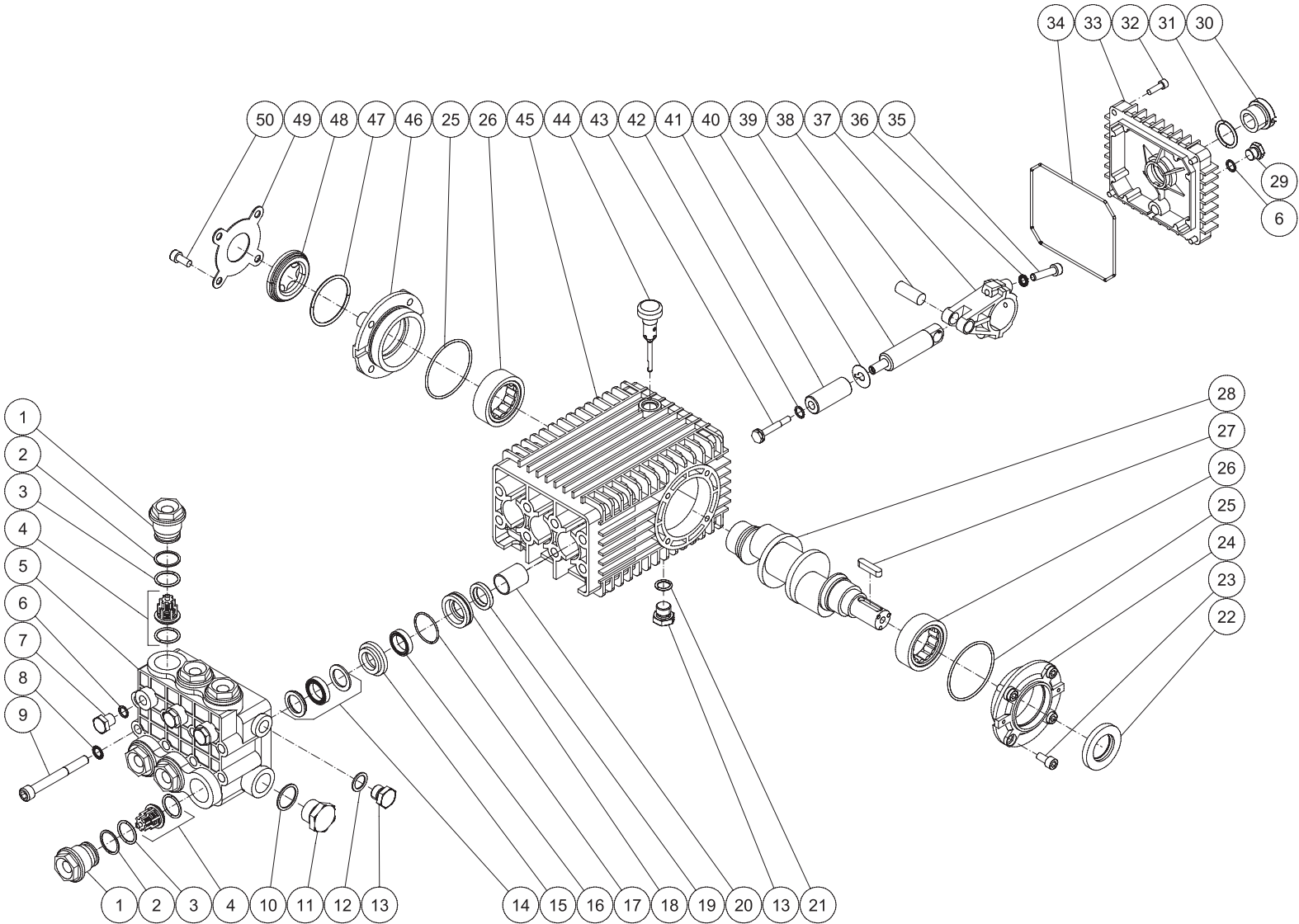
PUMP ASSEMBLY							
ITEM	DESCRIPTION	Mi-T-M #	QTY	ITEM	DESCRIPTION	Mi-T-M #	QTY
1	VALVE PLUG	46-1203	3	29	CRANKCASE COVER OPEN	46-1217	1
2	RING	25-0592	3	30	O-RING	25-0590	2
3	O-RING	25-0139	6	31	BEARING	48-0085	2
4	CAP	46-1206	3	32	KEY	46-0602	1
5	VALVE ASSEMBLY (SEE KIT 70-0431)	70-0431	6	33	CRANKSHAFT	46-1210	1
6	GUIDE	46-1205	3	34	CONNECTING ROD PIN	43-0118	3
7	O-RING	25-0160	3	35	O-RING	25-0014	1
8	BACKUP RING	25-0430	3	36	PLUG	39-0017	1
9	SPACER	46-1204	3	37	BOLT	27-8812	4
10	O-RING	25-0130	3	38	SIGHT GLASS	46-1163	1
11	BACKUP RING	25-0591	3	39	O-RING	25-0059	1
12	BOLT	27-8073	8	40	CRANKCASE COVER	46-1212	1
13	LOCKWASHER	29-0155	8	41	O-RING	25-0339	1
14	MANIFOLD	46-1218	1	42	BOLT	27-8435	6
15	WASHER	28-1038	1	43	LOCKWASHER	29-1014	1
16	PLUG	39-0019	1	44	CONNECTING ROD	46-1211	3
17	WASHER	28-1002	1	45	PLUNGER ROD	46-1213	3
18	PLUG	39-0018	2	46	SLINGER WASHER	46-1214	3
19	HIGH PRESSURE SEAL ASSEMBLY (SEE KIT 70-0435 & 70-0436)	SEE KIT	3	47	PLUNGER	46-1219	3
20	HIGH PRESSURE INTERMEDIATE SEAL RETAINER (SEE KIT 70-0435)	SEE KIT	3	48	O-RING	25-0310	3
21	LOW PRESSURE SEAL OD 26 X ID 10 X 5MM (SEE KIT 70-0435 & 70-0436)	SEE KIT	3	49	BOLT / PISTON	46-1216	3
22	O-RING (SEE KIT 70-0435)	25-0015	3	50	OIL DIP STICK	46-0144	1
23	LOW PRESSURE SEAL RETAINER (SEE KIT 70-0435)	SEE KIT	3	51	CRANKCASE	46-1209	1
24	OIL SEAL (SEE KIT 70-0432)	26-0047	3	52	CRANKCASE COVER	46-1208	1
25	BUSHING	9-0029	3	53	O-RING	25-0060	1
26	O-RING	25-0052	1	54	OIL LEVEL INDICATOR	46-0574	1
27	BOLT	27-8431	4	55	SIGHTGLASS COVER	46-1207	1
28	OIL SEAL	26-0049	1	56	BOLT	27-8433	4

REPLACEMENT KITS				
Mi-T-M KIT#	DESCRIPTION	ITEMS	# OF ASSEMBLIES	# OF CYLINDERS
70-0432	OIL SEAL KIT	24	3	3
70-0431	VALVE KIT	5	6	3
70-0436	LOW/HIGH PRESSURE SEALS	19, 21	3	3
70-0435	PACKING KIT	19-23	1	1

# PUMP ASSEMBLY (3-0279)

TORQUE SPECS.	
POSITION	FT-LBS
1	95.9
7	29.5
9	33.2
11	51.6
13	29.5
23	14.8
30	14.8
33	7.4
36	14.8
43	14.8
50	14.8

\*\* USE LOC-TITE 542



3-0279 122115 MLK

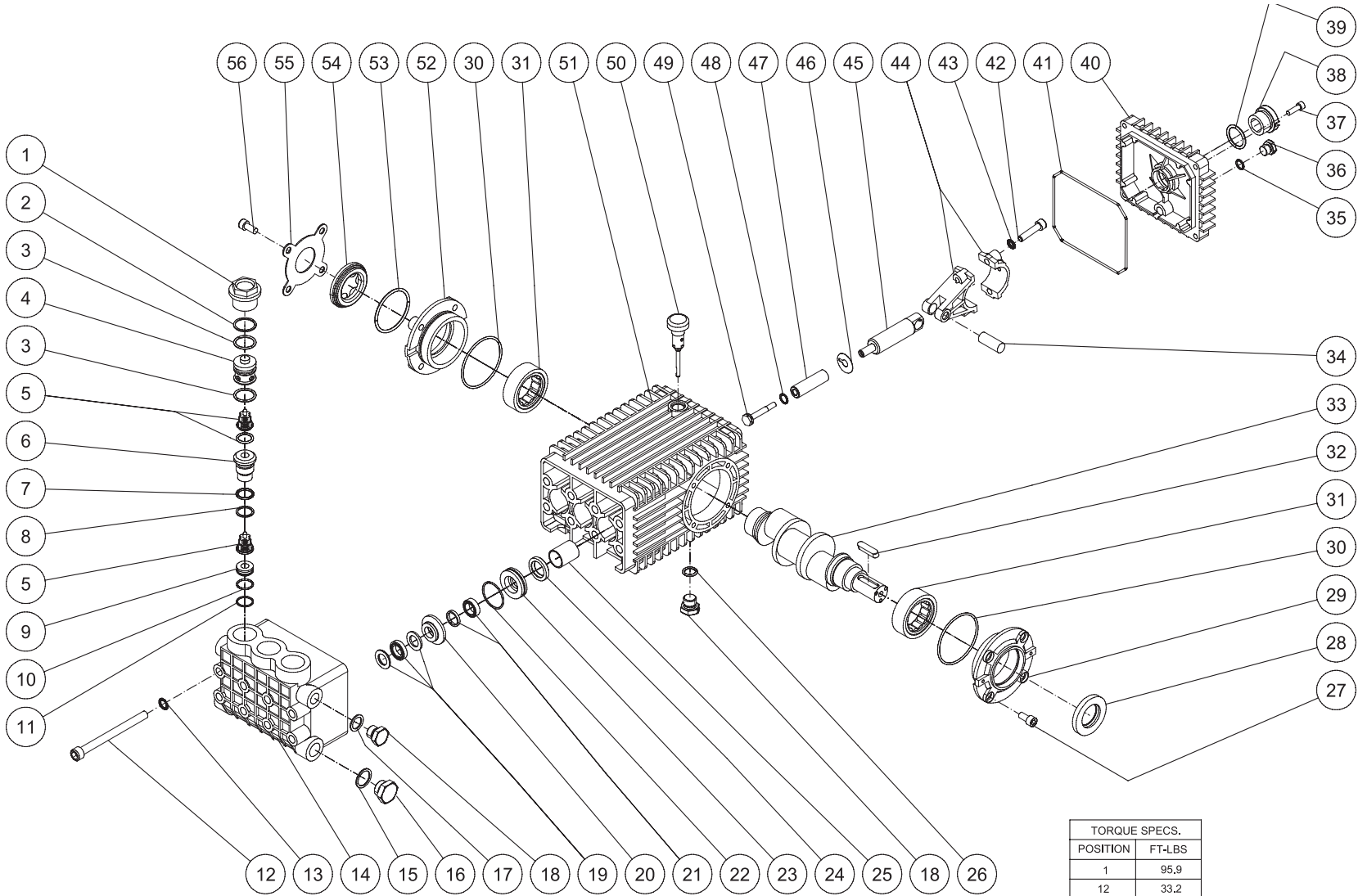
## PUMP ASSEMBLY

ITEM	DESCRIPTION	PART #	QTY	ITEM	DESCRIPTION	PART #	QTY
1	VALVE CAP	46-1222	6	26	BEARING	48-0085	2
2	RING	25-0592	6	27	KEY	46-0602	1
3	O-RING	25-0139	6	28	CRANKSHAFT	46-1210	1
4	VALVE ASSEMBLY (SEE KIT 70-0439)	70-0439	6	29	PLUG	39-0017	1
5	MANIFOLD	46-1220	1	30	SIGHT GLASS	46-1163	1
6	O-RING	25-0310	4	31	O-RING	25-0059	1
7	PLUG	39-0222	3	32	BOLT	27-8812	4
8	LOCKWASHER	29-0155	8	33	CRANKCASE COVER	46-1212	1
9	BOLT	27-9595	8	34	O-RING	25-0339	1
10	GASKET	28-1051	1	35	BOLT	27-8435	6
11	PLUG	39-0221	1	36	LOCKWASHER	29-1014	6
12	WASHER	28-1002	1	37	CONNECTING ROD	46-1211	3
13	PLUG	39-0018	2	38	CONNECTING ROD PIN	43-0118	3
14	HIGH PRESSURE SEALS (SEE KIT 70-0440 & 70-0441)	SEE KIT	3	39	PLUNGER ROD	46-1213	3
15	HIGH PRESSURE RING (SEE KIT 70-0441)	SEE KIT	3	40	SLINGER WASHER	46-1214	3
16	LOW PRESSURE SEAL (SEE KIT 70-0440 & 70-0441)	SEE KIT	3	41	PLUNGER	46-1221	3
17	O-RING (SEE KIT 70-0441)	25-0015	3	42	O-RING	25-0698	3
18	LOW PRESSURE SEAL (SEE KIT 70-0441)	SEE KIT	3	43	BOLT / PISTON	46-1216	3
19	OIL SEAL (SEE KIT 70-0432)	26-0047	3	44	OIL DIP STICK	46-0144	1
20	BUSHING	9-0029	3	45	CRANKCASE	46-1209	1
21	O-RING	25-0052	1	46	CRANKCASE COVER	46-1208	1
22	OIL SEAL	26-0049	1	47	O-RING	25-0060	1
23	BOLT	27-8431	4	48	OIL LEVEL INDICATOR	46-0574	1
24	CRANKCASE COVER	46-1217	1	49	SIGHTGLASS COVER	46-1207	1
25	O-RING	25-0590	2	50	BOLT	27-8433	4

## REPLACEMENT KITS

KIT #	DESCRIPTION	ITEMS	# OF ASSEMBLIES	# OF CYLINDERS
70-0432	OIL SEAL KIT	19	3	3
70-0439	VALVE KIT	4	6	3
70-0440	LOW/HIGH PRESSURE SEALS	14, 16	3	3
70-0441	PACKING KIT	14-18	1	1

# PUMP ASSEMBLY (3-0430)



TORQUE SPECS.	
POSITION	FT-LBS
1	95,9
12	33,2
18	29,5
27	14,8
36	14,8
37	7,4
42	14,8
49**	14,8
56	14,8

\*\* USE LOC-TITE 542

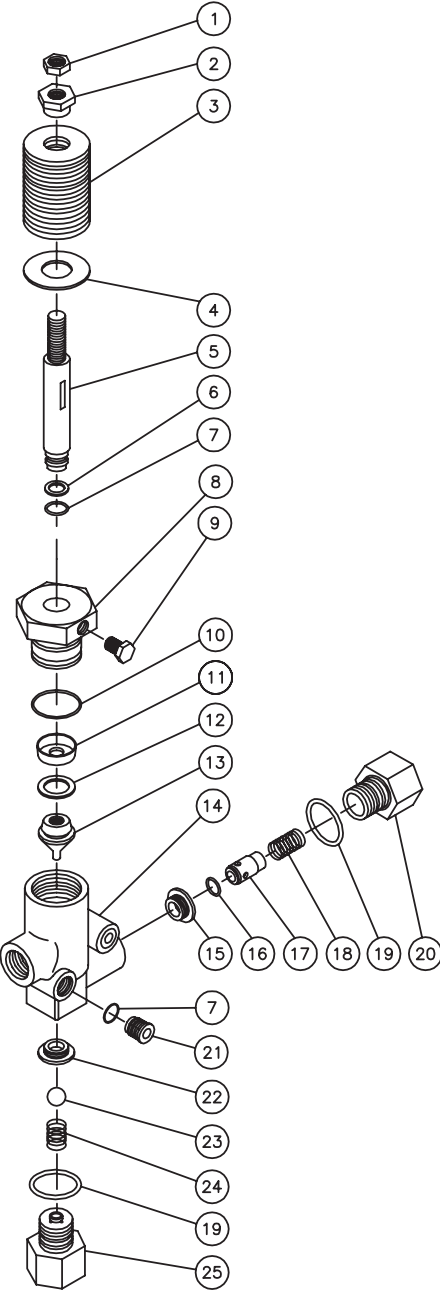
3-0430 031116 RSW



PUMP ASSEMBLY							
ITEM	DESCRIPTION	PART #	QTY	ITEM	DESCRIPTION	PART #	QTY
1	VALVE PLUG	46-1203	3	29	CRANKCASE COVER OPEN	46-1217	1
2	RING	25-0592	3	30	O-RING	25-0590	2
3	O-RING	25-0139	6	31	BEARING	48-0085	2
4	CAP	46-1206	3	32	KEY	46-0602	1
5	VALVE ASSEMBLY (SEE KIT 70-0431)	SEE KIT	6	33	CRANKSHAFT	46-1344	1
6	GUIDE	46-1205	3	34	CONNECTING ROD PIN	43-0118	3
7	O-RING	25-0160	3	35	O-RING	25-0014	1
8	BACKUP RING	25-0430	3	36	PLUG	39-0017	1
9	SPACER	46-1204	3	37	BOLT	27-8812	4
10	O-RING	25-0130	3	38	SIGHT GLASS	46-1163	1
11	BACKUP RING	25-0591	3	39	O-RING	25-0059	1
12	BOLT	27-8073	8	40	CRANKCASE COVER	46-1212	1
13	LOCKWASHER	29-0155	8	41	O-RING	25-0339	1
14	MANIFOLD	46-1202	1	42	BOLT	27-8435	6
15	WASHER	28-1038	1	43	LOCKWASHER	29-1014	1
16	PLUG	39-0019	1	44	CONNECTING ROD	46-1211	3
17	WASHER	28-1002	1	45	PLUNGER ROD	46-1213	3
18	PLUG	39-0018	2	46	SLINGER WASHER	46-1214	3
19	HIGH PRESSURE SEAL ASSEMBLY (SEE KIT 70-0433 & 70-0434)	SEE KIT	3	47	PLUNGER	46-1215	3
20	HIGH PRESSURE INTERMEDIATE SEAL RETAINER (SEE KIT 70-0434)	SEE KIT	3	48	O-RING	25-0310	3
21	LOW PRESSURE SEAL OD 26 X ID 10 X 5MM (SEE KIT 70-0433 & 70-0434)	SEE KIT	3	49	BOLT / PISTON	46-1216	3
22	O-RING (SEE KIT 70-0434)	25-0015	3	50	OIL DIP STICK	46-0144	1
23	LOW PRESSURE SEAL RETAINER (SEE KIT 70-0434)	SEE KIT	3	51	CRANKCASE	46-1209	1
24	OIL SEAL (SEE KIT 70-0432)	26-0047	3	52	CRANKCASE COVER	46-1208	1
25	BUSHING	9-0029	3	53	O-RING	25-0060	1
26	O-RING	25-0052	1	54	OIL LEVEL INDICATOR	46-0574	1
27	BOLT	27-8431	4	55	SIGHTGLASS COVER	46-1207	1
28	OIL SEAL	26-0049	1	56	BOLT	27-8433	4

REPLACEMENT KITS				
KIT#	DESCRIPTION	ITEMS	# OF ASSEMBLIES	# OF CYLINDERS
70-0432	OIL SEAL KIT	24	3	3
70-0431	VALVE KIT	5	6	3
70-0433	LOW/HIGH PRESSURE SEALS	19, 21	3	3
70-0434	PACKING KIT	19-23	1	1

# UNLOADER ASSEMBLY (8-0032)

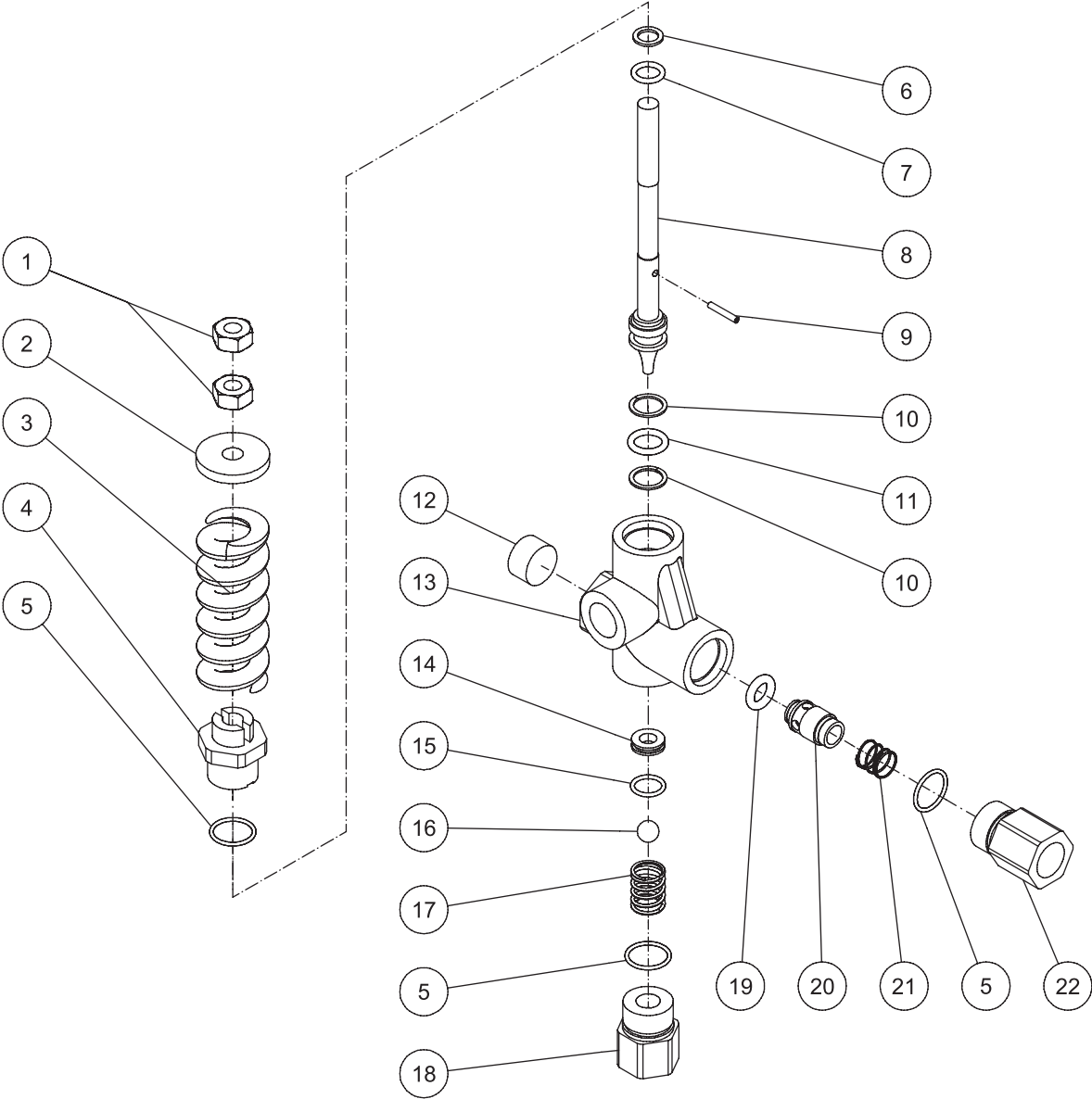


8-0032-061113 MLK

8-0032 061113 MLK			
UNLOADER ASSEMBLY (8-0032)			
REF.#	DESCRIPTION	PART #	QTY.
1	LOCKNUT	30-3058	1
2	ADJUSTING NUT	8-0089	1
3	SPRING WASHERS - ORANGE	8-0009	15
4	WASHER	28-0250	1
5	VALVE STEM	8-0037	1
6	BACKUP RING (SEE KIT 70-0044)	8-0038	1
7	O-RING (SEE KIT 70-0044)	25-0009	5
8	VALVE CAP	8-0036	1
9	SET SCREW	8-0084	1
10	O-RING (SEE KIT 70-0044)	25-0008	1
11	CUP (SEE KIT 70-0044)	8-0034	1
12	BACK-UP RING (SEE KIT 70-0044)	8-0040	1
13	PISTON	8-0039	1
14	VALVE BODY	8-0164	1
15	OUTLET SEAT	8-0006	1
16	O-RING (SEE KIT 70-0044)	25-0011	1
17	OUTLET VALVE	8-0004	1
18	SPRING	49-0016	1
19	O-RING (SEE KIT 70-0044)	25-0010	2
20	OUTLET RETAINER	8-0003	1
21	BRASS PLUG	8-0011	4
22	VALVE SEAT	8-0005	1
23	BALL	8-0041	1
24	SPRING	49-0015	1
25	INLET RETAINER	8-0165	1

REPLACEMENT KITS			
KIT#	DESCRIPTION	ITEMS	QTY
70-0044	UNLOADER KIT	6, 7, 10-12, 16, 19	2, 5, 1, 1, 1, 1, 2

# UNLOADER ASSEMBLY (8-0373)

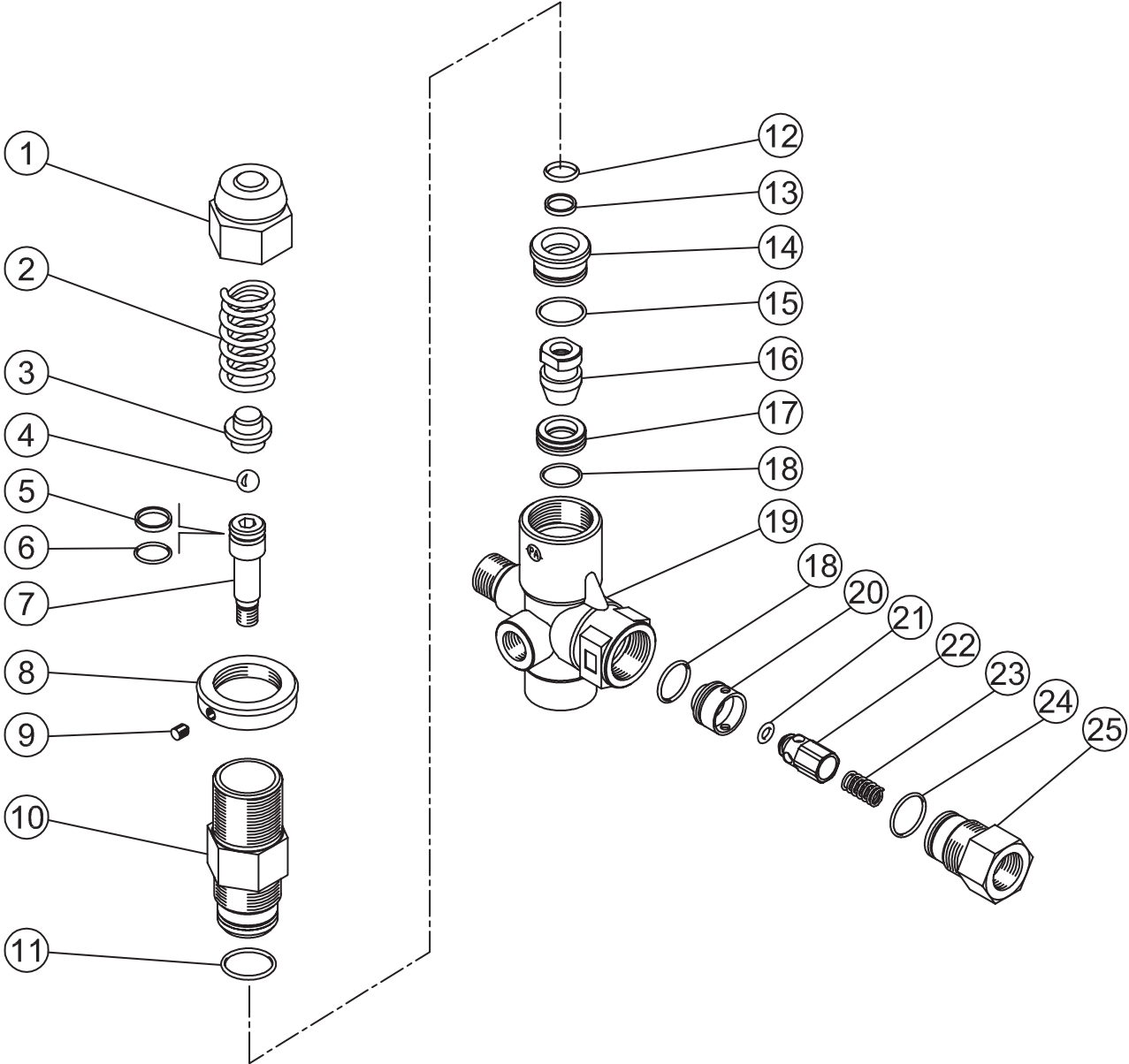


8-0373-6-01113 -MLK

8-0373 061113 MLK			
UNLOADER ASSEMBLY			
ITEM	DESCRIPTION	PART #	QTY
1	NUT	30-7203	2
2	SPRING GUIDE	8-0278	1
3	SPRING	49-0098	1
4	PISTON HOUSING	8-0374	1
5	O-RING (SEE KIT 8-0380)	25-0189	1
6	BACK-UP RING (SEE KIT 8-0380)	8-0277	1
7	O-RING (SEE KIT 8-0380)	25-0313	1
8	PISTON	8-0375	1
9	PIN	43-0059	1
10	BACK-UP RING (SEE KIT 8-0380)	8-0276	2
11	O-RING (SEE KIT 8-0380)	25-0314	1
12	PLUG	39-0070	1
13	VALVE HOUSING	8-0377	1
14	SEAT (SEE KIT 8-0380)	8-0272	1
15	O-RING	25-0190	1
16	BALL (SEE KIT 8-0380)	8-0273	1
17	BALL SPRING	49-0059	1
18	INLET CONNECTION	8-0379	1
19	O-RING (SEE KIT 8-0380)	25-0193	1
20	CHECK VALVE	22-0202	1
21	CHECK VALVE SPRING	49-0058	1
22	OUTLET CONNECTION	8-0376	1

REPLACEMENT KITS			
Mi-T-M KIT#	DESCRIPTION	ITEMS	QTY
8-0380	UNLOADER REPAIR KIT	5-7, 10, 11, 14, 16, 19	-

UNLOADER ASSEMBLY (8-0522)

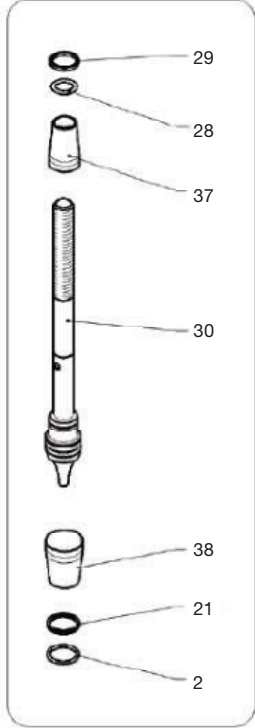
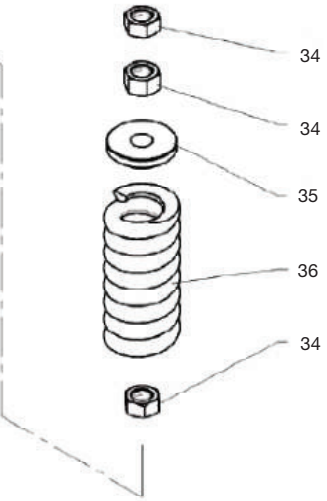
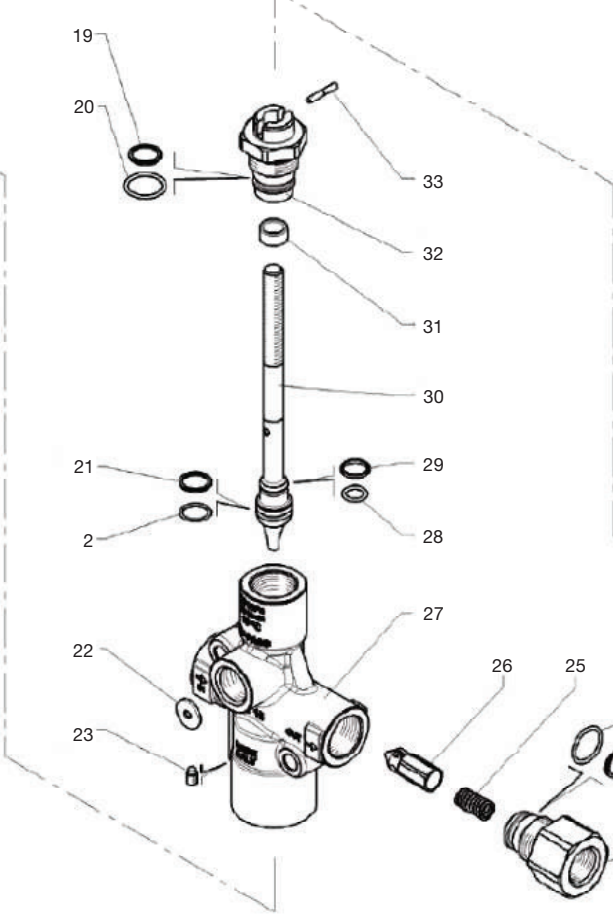
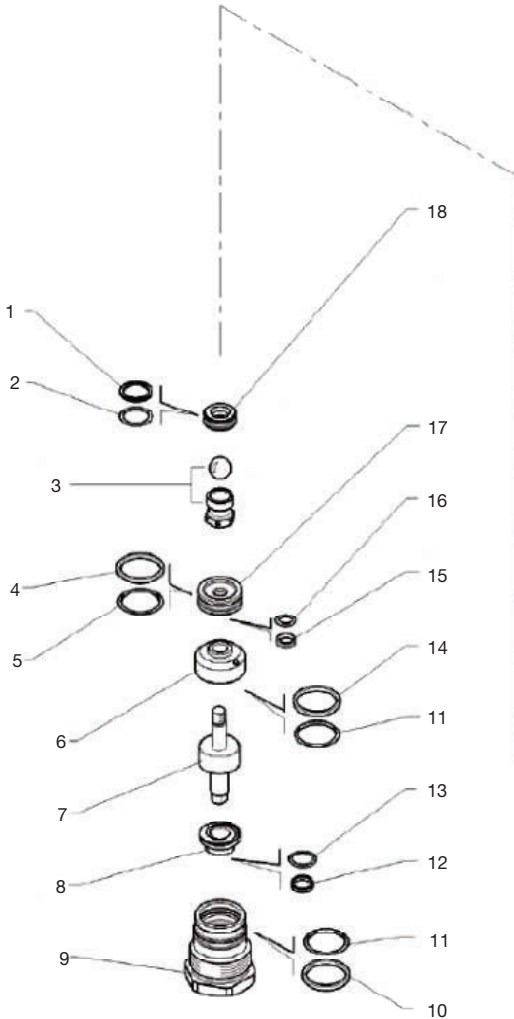


8-0522-060513-MLK

UNLOADER ASSEMBLY (8-0522)								8-0522-060513 MLK
REF. #	DESCRIPTION	PART #	QTY.		REF. #	DESCRIPTION	PART #	QTY.
1	Brass Cap	8-0534	1		14	Spacer	8-0539	1
2	Spring	49-0149	1		15	O-ring	25-0368	1
3	Spring Guide	8-0535	1		16	Shutter	8-0540	1
4	Ball	8-0318	1		17	Seat	8-0541	1
5	Back-up Ring (See 70-0342)	25-0529	1		18	O-ring	25-0220	2
6	O-ring (See 70-0342)	25-0530	1		19	Valve Body	8-0542	1
7	Piston	8-0536	1		20	Check Valve Seat	8-0543	1
8	Lock Ring	8-0537	1		21	O-ring	25-0369	1
9	Set Screw	8-0408	1		22	Check Valve	8-0486	1
10	Piston Housing	8-0538	1		23	Spring	49-0150	1
11	O-ring	25-0189	1		24	O-ring	25-0325	1
12	Back-up Ring (See 70-0343)	25-0531	1		25	Nipple	8-0485	1
13	O-ring (See 70-0343)	25-0532	1					

REPLACEMENT KITS			
Mi-T-M KIT#	DESCRIPTION	ITEMS	QTY
70-0342	KIT-UPPER SEAL	5, 6	1
70-0343	KIT-LOWER SEAL	12, 13	1

# UNLOADER ASSEMBLY (8-0636)

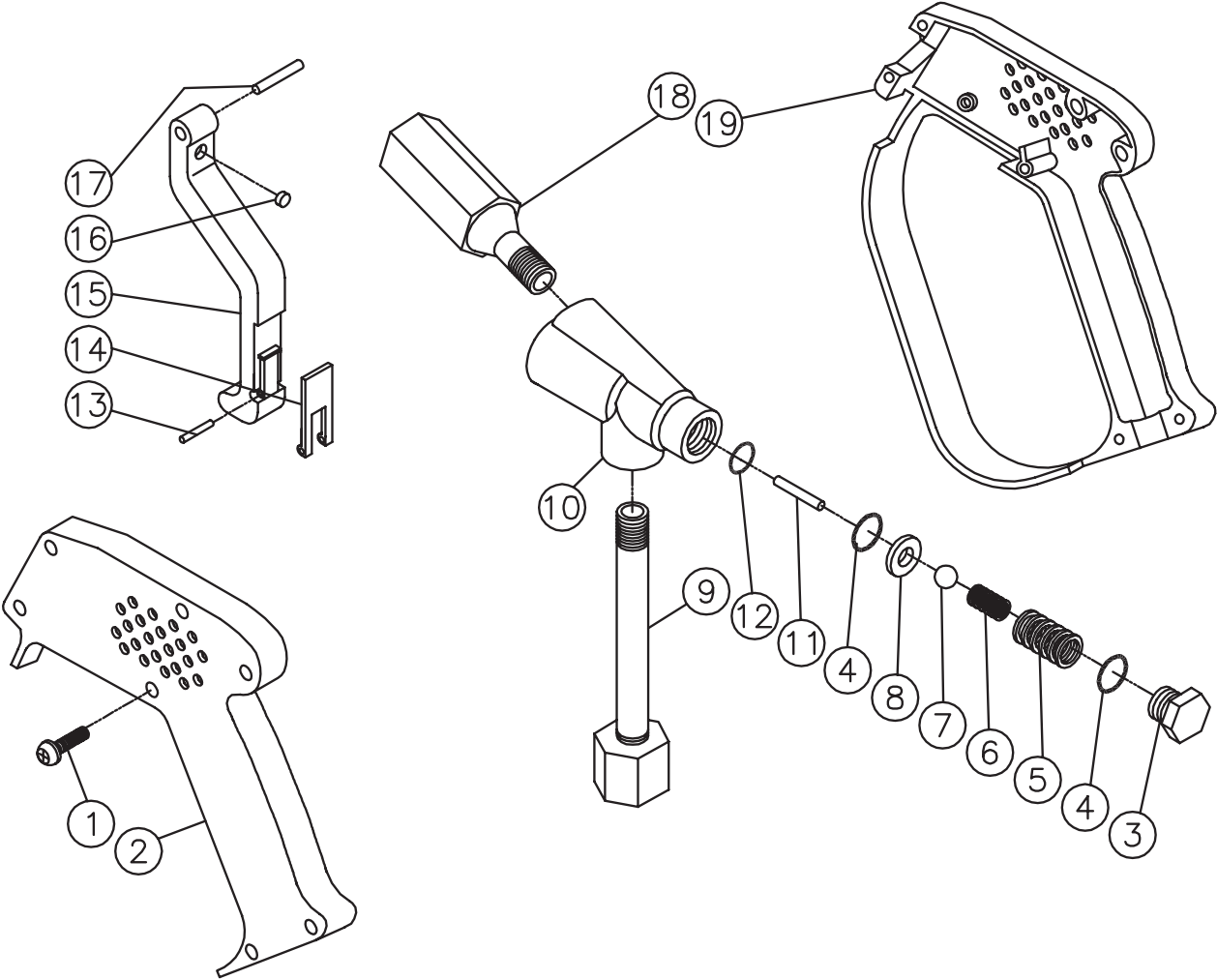




UNLOADER ASSEMBLY				
ITEM	TITLE		PART #	QTY
1	BACK-UP RING	(SEE KIT 70-0688)	25-0704	1
2	O-RING	(SEE KIT 70-0688)	25-0407	2
3	SHUTTER PIN	(SEE KIT 70-0688)	8-0638	1
4	BACK-UP RING	(SEE KIT 70-0688)	25-0706	1
5	O-RING	(SEE KIT 70-0688)	25-0392	1
6	SPACER RING		8-0639	1
7	PIN		8-0640	1
8	PISTON RING		8-0642	1
9	PLUG, LOWER		8-0643	1
10	BACK-UP RING	(SEE KIT 70-0688)	25-0699	1
11	O-RING	(SEE KIT 70-0688)	25-0700	2
12	BACK-UP RING	(SEE KIT 70-0688)	25-0701	1
13	O-RING	(SEE KIT 70-0688)	25-0387	1
14	BACK-UP RING	(SEE KIT 70-0688)	25-0702	1
15	BACK-UP RING	(SEE KIT 70-0688)	25-0705	1
16	O-RING	(SEE KIT 70-0688)	25-0703	1
17	PISTON RING	(SEE KIT 70-0688)	8-0641	1
18	SEAT	(SEE KIT 70-0688)	8-0637	1
19	BACK-UP RING	(SEE KIT 70-0688)	25-0707	2
20	O-RING	(SEE KIT 70-0688)	25-0389	2
21	BACK-UP RING	(SEE KIT 70-0688)	25-0708	1
22	WASHER		8-0654	1
23	SET SCREW		8-0648	1
24	SHUTTER COUPLING		8-0652	1
25	SPRING		8-0651	1
26	SHUTTER		8-0650	1
27	HOUSING		8-0649	1
28	O-RING	(SEE KIT 70-0688)	25-0393	1
29	BACK-UP RING	(SEE KIT 70-0688)	25-0709	1
30	PISTON VALVE		8-0647	1
31	BUSHING	(SEE KIT 70-0688)	8-0646	1
32	PISTON HOLDER		8-0645	1
33	PIN		8-0644	1
34	HEX NUT		30-7203	3
35	WASHER, SPRING HOLDING		8-0653	1
36	SPRING		49-0098	1
37	SEAL FRAME (OPTIONAL)		N/A	1
38	SEAL FRAME (OPTIONAL)		N/A	1

REPLACEMENT KITS		
KIT #	DESCRIPTION	ITEMS
70-0688	REPAIR KIT	1-5, 10-16, 18-21, 28, 29, 31

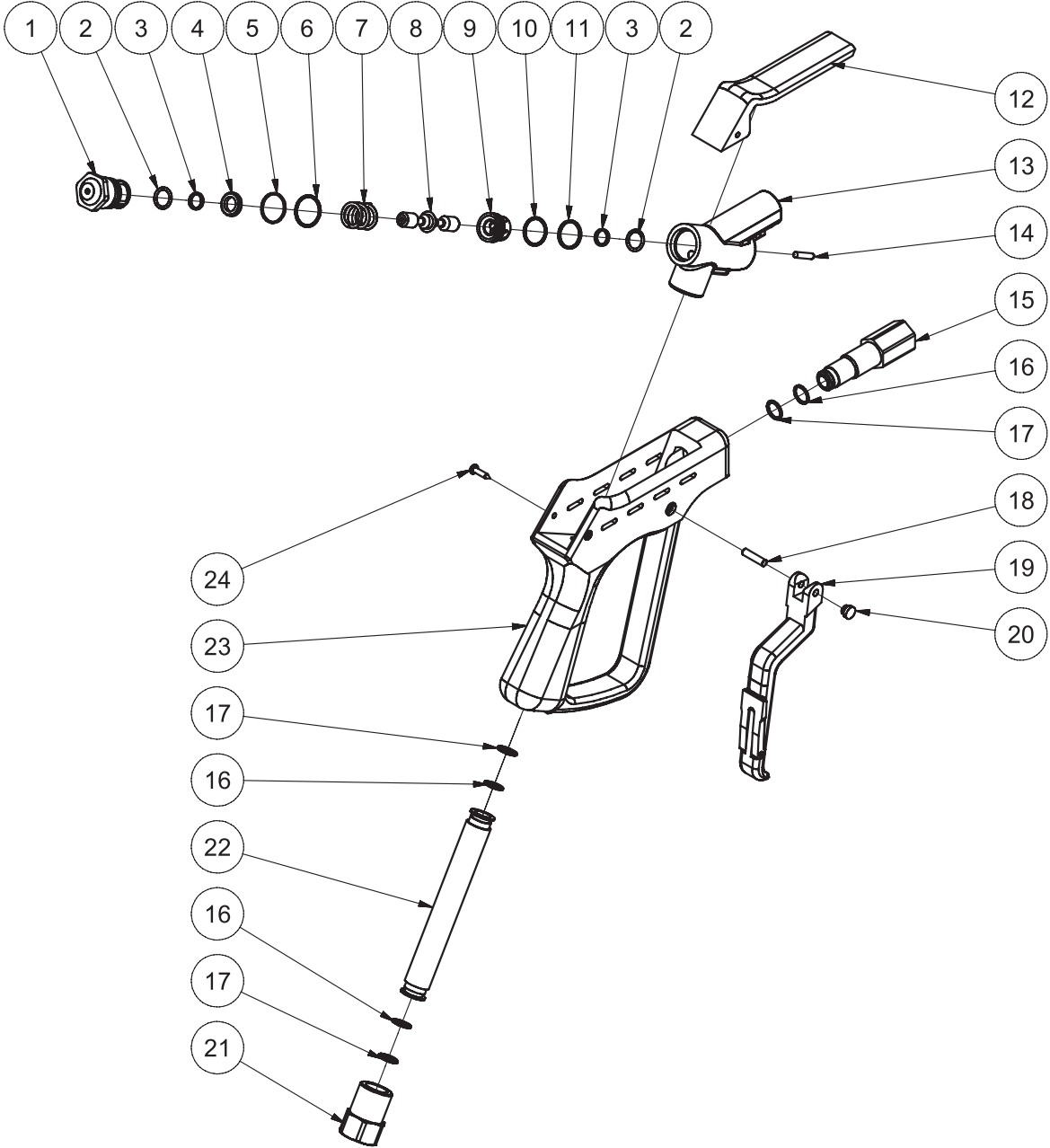
GUN ASSEMBLY (16-0343)



## GUN ASSEMBLY (16-0343)

REF. #	DESCRIPTION	PART #	QTY.	REF. #	DESCRIPTION	PART #	QTY.
1	Screw	27-8851	7	11	O-ring (See 70-0213)	N/A Sep.	1
2	Housing- Left Side	16-0344	1	12	Control Pin (See 70-0213)	N/A Sep.	1
3	Cap	23-0336	1	13	Lock Pin	43-0025	1
4	O-ring (See 70-0213)	N/A Sep.	2	14	Safety Lock	16-0347	1
5	Spring (See 70-0213)	N/A Sep.	1	15	Trigger	16-0348	1
6	Valve Spring (See 70-0213)	N/A Sep.	1	16	Cam Trigger (See 70-0213)	N/A Sep.	1
7	Valve Ball (See 70-0213)	N/A Sep.	1	17	Pin	43-0024	1
8	Valve Seat (See 70-0213)	N/A Sep.	1	18	Discharge Tube Assembly	16-0349	1
9	Inlet Tube Assembly	16-0345	1	19	Housing- Right Side	16-0350	1
10	Valve Body	N/A	1		Repair Kit (Inc. 4-8, 11-12, 16)	70-0213	

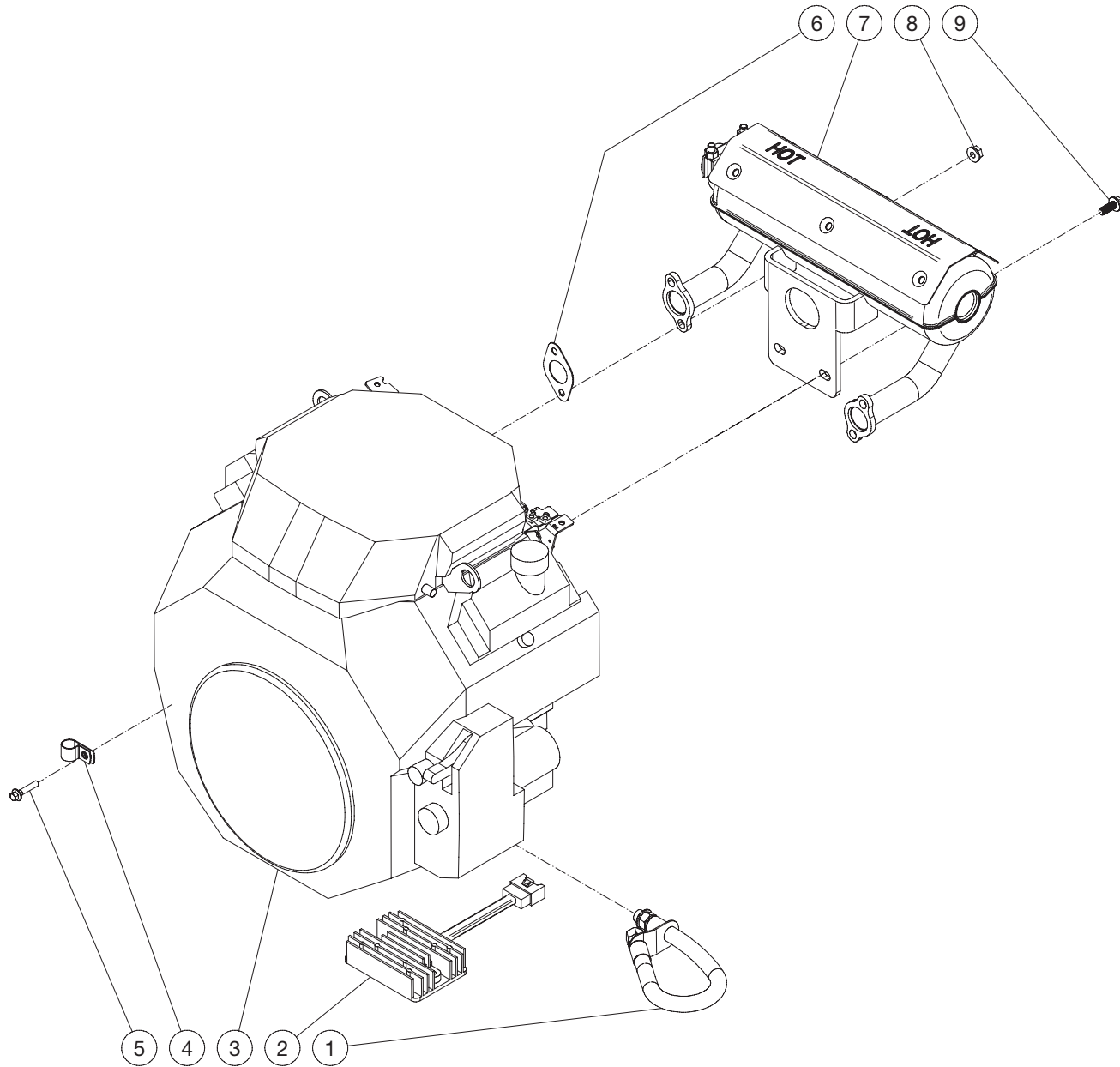
**GUN ASSEMBLY (16-0447)**



16-0447-091610-AJH

16-0447 091610 AJH_T			
GUN ASSEMBLY (16-0447)			
ITEM	DESCRIPTION	MI-T-M #	QTY
1	SEALING CAP	N/A	1
2	O-RING	N/A	2
3	GASKET RING	N/A	2
4	SEALING PLATE	N/A	1
5	BACK RING	N/A	1
6	O-RING	N/A	1
7	SPRING	N/A	1
8	VALVE CONE	16-0454	1
9	SEAL HUB	N/A	1
10	O-RING	N/A	1
11	BACK RING	N/A	1
12	PLASTIC COVER	16-0426	1
13	HOUSING	N/A	1
14	POSITION PIN	N/A	1
15	OUTLET	16-0453	1
16	SUPPORTING RING	N/A	3
17	O-RING	N/A	3
18	PIN	16-0063	1
19	TRIGGER	16-0422	1
20	PLASTIC PLUG	N/A	2
21	INLET	16-0455	1
22	INLET PIPE	16-0456	1
23	PLASTIC HOUSING	N/A	1
24	BOLT	N/A	2
-	REPAIR KIT - INCLUDES ITEM #'S: 2, 3, 7-11	70-0562	1

# HONDA ENGINE ASSEMBLY (851-0385)



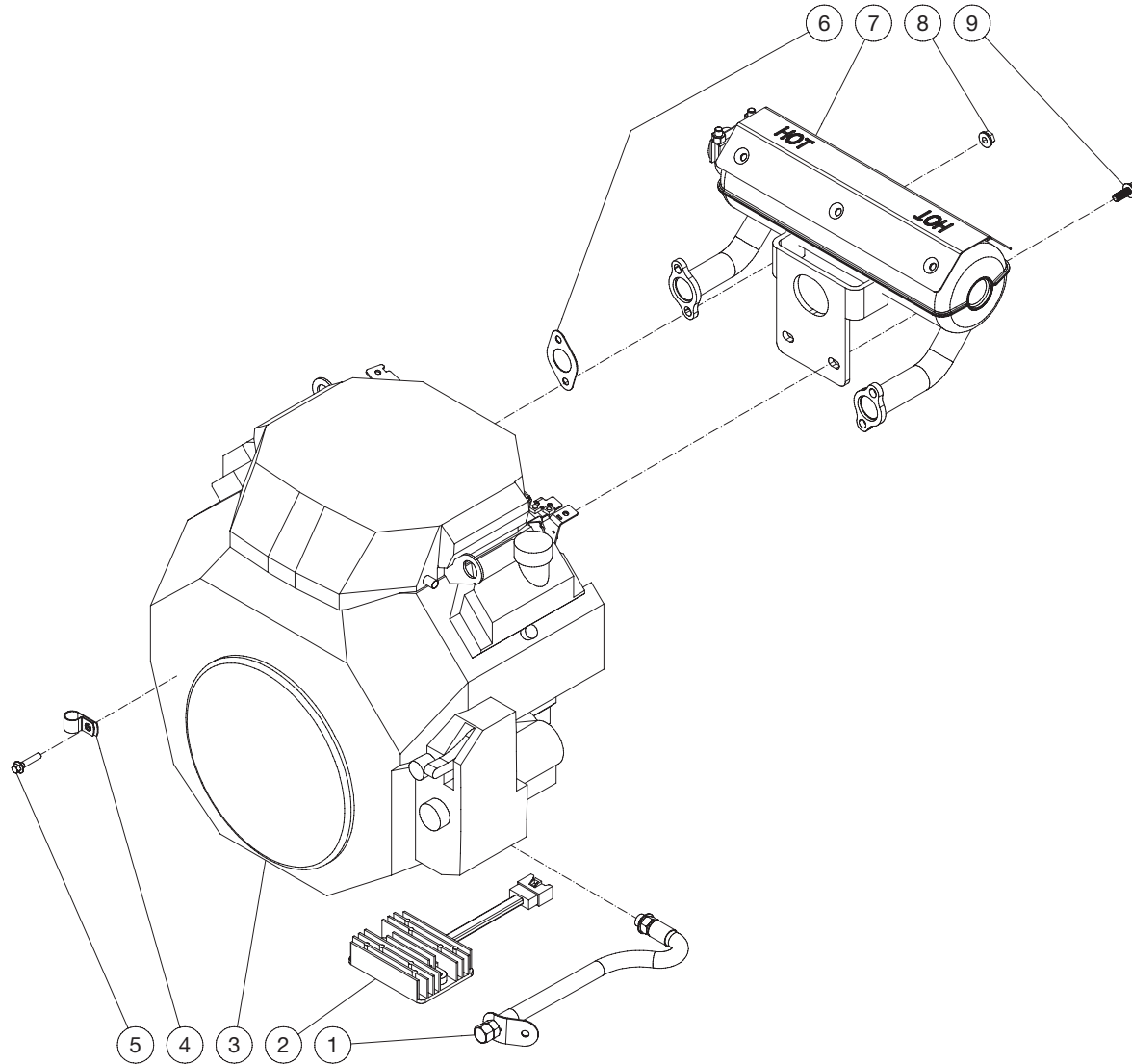
851-0385 011218 JVA

851-0385 011218 JVA

## HONDA ENGINE ASSEMBLY

ITEM	DESCRIPTION	PART #	QTY.
1	DRAIN HOSE	70-0555	1
2	RECTIFIER	W/ ENGINE	1
3	ENGINE	1-0184	1
4	HOSE CLIP	33-0517	1
5	BOLT	27-8898	1
6	EXHAUST GASKET	W/ ENGINE	2
7	MUFFLER	45-0819	1
8	NUT	30-3023	4
9	BOLT	27-9524	2

# HONDA ENGINE ASSEMBLY (851-0418)





851-0418 011218 JVA			
ENGINE ASSEMBLY			
ITEM	DESCRIPTION	PART #	QTY
1	DRAIN HOSE	70-0555	1
2	RECTIFIER	W/ ENGINE	1
3	ENGINE	1-0234	1
4	HOSE CLIP	33-0517	1
5	BOLT	27-8898	1
6	EXHAUST GASKET	W/ ENGINE	2
7	MUFFLER	45-0819	1
8	NUT	30-3023	4
9	BOLT	27-9524	2

