

PARTS LIST FOR
2405/3004 SERIES
PORTABLE
ELECTRIC DRIVEN/BELT DRIVE
COLD WATER PRESSURE WASHER
(AFTER SERIAL #10874728)

Motor Horsepower:	7.5HP
Pump Oil Grade:	Pump Oil #AW-4085-0016
Pump Oil Capacity:	40.6 oz.
Nozzle Size:	
2405:	6.0
3004:	4.0

This Parts Listing has been compiled for your benefit. You can be assured your new Cold Water Pressure Washer was constructed and designed with quality and performance in mind using over 25 years experience in the pressure washer business. Each component has been rigorously tested to insure the highest level of acceptance.

The contents of this Parts Listing are based on the latest product information available at the time of publication. The manufacturer reserves the right to make changes in price, color, materials, equipment, specifications or models at any time without notice.

WARNING
 THIS IS A PROFESSIONAL HIGH PRESSURE, COLD WATER PRESSURE WASHER. CAUTION SHOULD BE OBSERVED WHEN USING OR REPAIRING THIS UNIT! READ AND FOLLOW THE SAFETY WARNINGS LISTED BELOW BEFORE ATTEMPTING ANY REPAIRS ON THIS PRESSURE WASHER!

SAFETY WARNINGS

1. NEVER alter or modify the equipment. Be sure any accessory items and system components being used will withstand the pressure developed. Use only genuine manufactured parts for repair of your pressure washer. Failure to do so can cause hazardous operating conditions and will VOID warranty.
2. NEVER make adjustments on machinery while the unit is connected to the power source. Turning over the machinery by hand during adjustment or cleaning might start the machinery, causing serious injury to the operator.
3. Know how to stop and bleed pressures quickly. Be thoroughly familiar with controls.
4. Before servicing the unit, turn unit off, relieve the water pressure and allow the unit to cool down. Do not make repairs while the unit is running. Service in a clean, dry, flat area.
5. After testing the machine, DO NOT leave the pressurized unit unattended. Shut off the unit and release trapped pressure before leaving.

Table of Contents

NOTES 3

SPECIFICATIONS 2405..... 4

SPECIFICATIONS 3004..... 5

FRAME ASSEMBLY (AFTER SERIAL #10874728)..... 6

MOTOR ASSEMBLY (851-0398) 8

MOTOR ASSEMBLY (851-0399) 10

PUMP ASSEMBLY (3-0202) (AFTER SERIAL #10375000)..... 12

UNLOADER ASSEMBLY (8-0032) 14

WIRING SCHEMATIC FOR 2405/3004 (230 VOLT/SINGLE PHASE)..... 16

WIRING DIAGRAM FOR 2405/3004 (230 VOLT/SINGLE PHASE)..... 17

WIRING SCHEMATIC FOR 2405/3004 (230 VOLT/THREE PHASE) 18

WIRING DIAGRAM FOR 2405/3004 (230 VOLT/THREE PHASE)..... 19

WIRING SCHEMATIC FOR 2405/3004 (CX-0003 OPTION) (460 VOLT/THREE PHASE)..... 20

WIRING DIAGRAM FOR 2405/3004 (CX-0003 OPTION) (460 VOLT/THREE PHASE)..... 21

NOTES

SERIAL BREAK NUMBER:

#10154637

#10375000

#10874728

SERIAL BREAK EXPLANATION:

CHANGED CORD STRAIN RELIEF ON CONTROL BOX DWG. FROM 32-0040 TO 9-0048. (3006)
(07-27-15 3006 OBSOLETE)

CHANGED PRESSURE SEAL ON PUMPS 3-0202

CHANGED BELTGUARD AND BASEPLATE

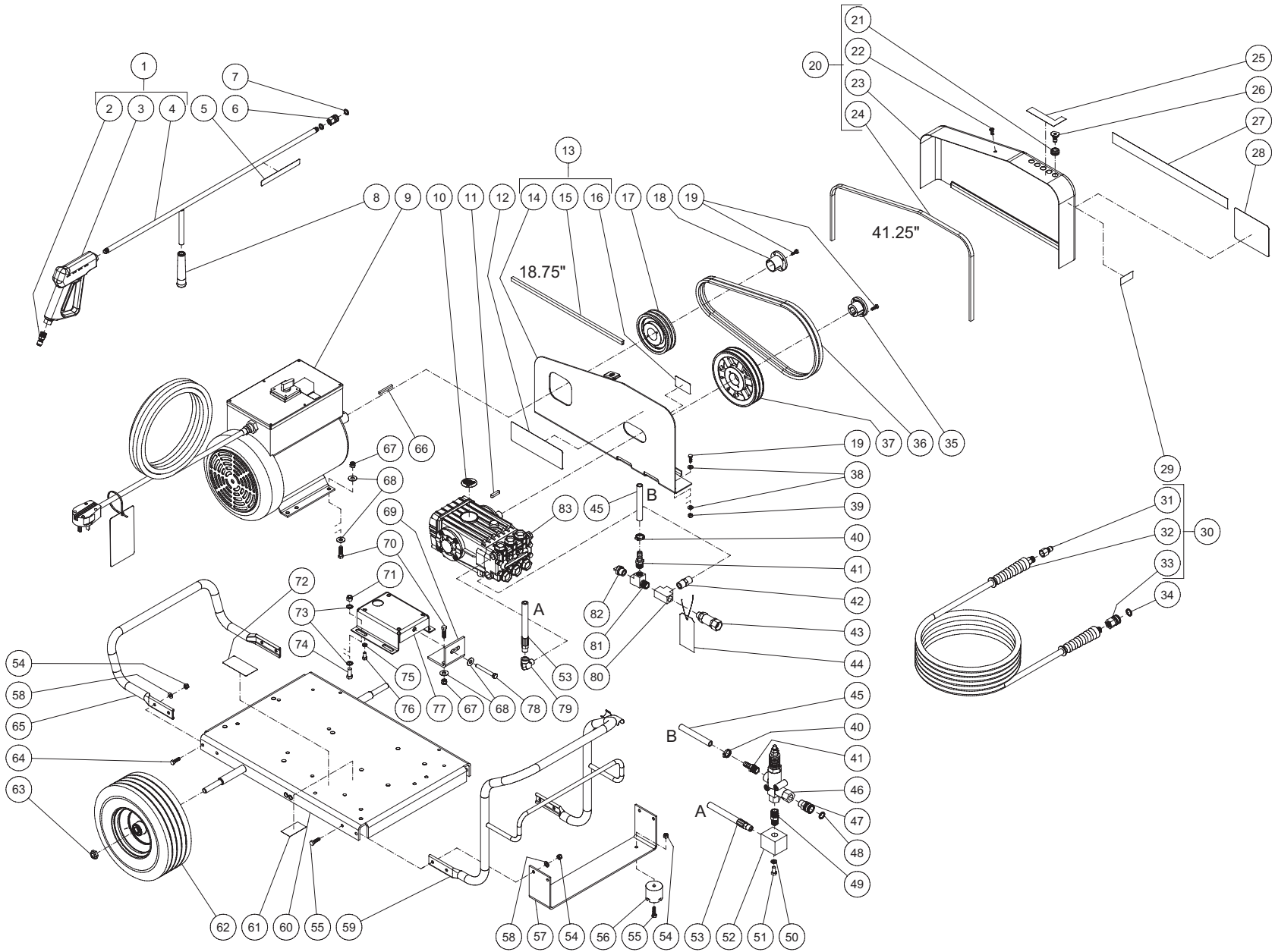
SPECIFICATIONS 2405

Operating Pressure (PSI/Bar):	2400/165.5	
High Pressure Nozzle:	6.0	
Water Volume (GPM/lpm):	4.6/17.4	
Motor:	Totally enclosed fan cooled, circuit breaker thermal overload protection, 10ft. power supply cord.	
Horsepower	7.5	
Voltage	230	230/460
Phase	Single	Three
Amps	32.0	20.0/10.0
Pump:	Belt Driven, Oil Bath, Triplex Piston	
Oil Type	Pump Oil #AW-4085-0016	
Oil Capacity (oz./liters)	40.6/1.20	
Plungers	Ceramic	
Manifold	Forged Brass	
Valves	Stainless Steel	
Thermal Relief Valve	Relieves heated water during unloader bypass stage.	
Unloader:	Preset	
Detergent Injector	Adjustable low pressure down stream from pump	
Unit Net Weight (lbs/Kg)	347/157.5	301/136.5
Unit Shipping Weight (lbs/Kg)	390/176.9	403/182.8
Unit Net Dimension (in/cm)	46Lx28Wx30H/117Lx71Wx76H	46Lx32.5Wx30H/116.8Lx82.5Wx76.19H
Unit Shipping Dimension (in/cm)	49Lx30.5Wx35.5H/124Lx77.5Wx90H	57.25Lx35.75Wx51.25H/145.4Lx90.8Wx130.17H

SPECIFICATIONS 3004

Operating Pressure (PSI/Bar):	3000/206.8	
High Pressure Nozzle:	4.0	
Water Volume (GPM/lpm):	3.5/13.2	
Motor:	Totally enclosed fan cooled, circuit breaker thermal overload protection, 10ft. power supply cord.	
Horsepower	7.5	
Voltage	230	230/460
Phase	Single	Three
Amps	32.0	20.0/10.0
Pump:	Belt Driven, Oil Bath, Triplex Piston	
Oil Type	Pump Oil #AW-4085-0016	
Oil Capacity (oz./liters)	40.6/1.20	
Plungers	Ceramic	
Manifold	Forged Brass	
Valves	Stainless Steel	
Thermal Relief Valve	Relieves heated water during unloader bypass stage.	
Unloader:	Preset	
Detergent Injector	Adjustable low pressure down stream from pump	
Unit Net Weight (lbs/Kg)	347/157.5	301/136.5
Unit Shipping Weight (lbs/Kg)	390/176.9	403/182.8
Unit Net Dimension (in/cm)	46Lx28Wx30H/117Lx71Wx76H	46Lx32.5Wx30H/116.8Lx82.5Wx76.19H
Unit Shipping Dimension (in/cm)	49Lx30.5Wx35.5H/124Lx77.5Wx90H	57.25Lx35.75Wx51.25H/145.4Lx90.8Wx130.17H

FRAME ASSEMBLY (AFTER SERIAL #10874728)

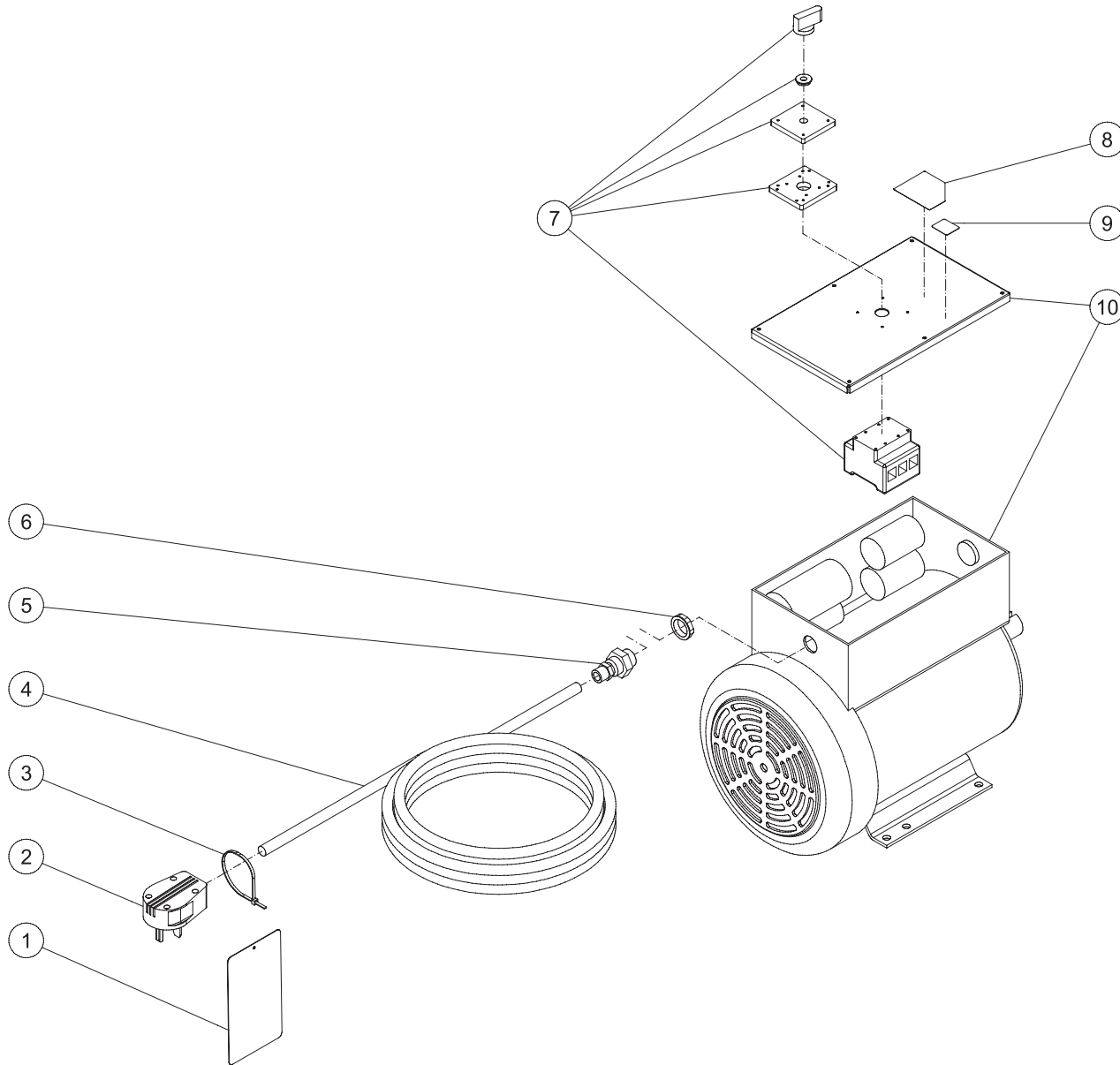


DC-2405_3004-W4E2G_3G 062017 JJR

FRAME ASSEMBLY								
ITEM	DESCRIPTION	PART #	QTY		ITEM	DESCRIPTION	PART #	QTY
1	GUN/WAND ASSEMBLY	851-0095	1		38	WASHER	28-0002	8
2	QUICK CONNECT	17-0005	1		39	LOCKNUT	30-0155	4
3	GUN	16-0001	1		40	HOSE CLAMP	42-0011	2
4	WAND (INCLUDES GRIP & QUICK CONNECT)	16-0418	1		41	BARB	23-0045	2
5	DECAL - RISK OF INJECTION (SEE 71-1044)	N/A	1		42	NIPPLE	23-0012	1
6	QUICK CONNECT	17-0001	1		43	FILTER	19-0206	1
7	O-RING	25-0122	1		44	TAG - WATER SUPPLY INLET (E)	34-0097	1
8	GRIP-RUBBER FOR WAND	7-0002	1		45	HOSE *(TWO FEET REQUIRED)	15-0022	1
9	2-0013 MOTOR ASSEMBLY (W4E2G)	851-0398	1		46	UNLOADER	8-0032	1
-	2-0093 MOTOR ASSEMBLY (W4E3G)	851-0399	1		47	QUICK CONNECT SOCKET	17-0029	1
10	DECAL - PUMP	N/A	1		48	O-RING	25-0123	1
11	KEY - WITH PUMP	43-0028	1		49	NIPPLE	24-0031	1
12	DECAL-WARNING/CAUTION/OPERATION	N/A	1		50	LOCKWASHER	29-0008	2
13	BELTGUARD BACK ASSY - ELECTRIC	851-0335	1		51	BOLT	27-0116	2
14	BELT GUARD BACK	6-0089A01	1		52	MANIFOLD BLOCK	51-0012	1
15	EDGING *(TWO FEET REQUIRED)	33-0020	1		53	HIGH PRESSURE HOSE	15-0024	1
16	DECAL - BELTGUARD IN PLACE (SEE 71-1044)	N/A	1		54	LOCKNUT	30-0157	10
17	SHEAVE (2405)	10-0041	1		55	BOLT	27-0068	6
-	SHEAVE (3004)	10-0025	1		56	ISOLATOR	14-0008	2
18	BUSHING	9-0008	1		57	BRACKET	13-0015A01	1
19	BOLT	27-0015	6		58	WASHER	28-0003	8
20	BELTGUARD COVER ASSEMBLY	850-0242	1		59	FRONT HANDLE	7-0102A01	1
21	GROMMET	33-0001	5		60	BASEPLATE	5-0333A01	1
22	FASTENER	33-0197	1		61	DECAL	N/A	1
23	BELTGUARD COVER	N/A	1		62	WHEEL	14-0127	4
24	EDGING *(FOUR FEET REQUIRED)	33-0020	1		63	LOCKNUT	30-0117	2
25	DECAL - NOZZLE	N/A	1		64	BOLT	27-0067	4
26	NOZZLE	18-0414	1		65	REAR HANDLE	7-0105A01	1
-	NOZZLE	18-0415	1		66	KEY	43-0078	1
-	NOZZLE	18-0416	1		67	LOCKNUT	30-0159	6
-	NOZZLE	18-0417	1		68	WASHER	28-0023	11
-	NOZZLE	18-0397	1		69	BRACKET	13-0003A01	1
-	NOZZLE	18-0399	1		70	BOLT	27-0118	6
-	NOZZLE	18-0400	1		71	LOCKNUT	30-0161	4
-	NOZZLE	18-0401	1		72	DECAL- SILVER STICKER	N/A	1
27	DECAL	N/A	1		73	WASHER	28-0030	8
28	DECAL - LOGO	N/A	1		74	BOLT	27-0166	4
29	DECAL - MADE IN USA	34-3553	1		75	LOCKWASHER	29-0054	4
30	HOSE ASSEMBLY	851-0338	1		76	BOLT	27-8042	4
31	QUICK CONNECT	17-0006	1		77	PUMP BRACKET	5-0101A01	1
32	HOSE	15-0209	1		78	BOLT	27-0576	1
33	QC SOCKET	17-0004	1		79	ELBOW	24-0105	1
34	O-RING	25-0123	1		80	TEE	23-0043	1
35	BUSHING	9-0017	1		81	TEE	23-0124	1
36	BELT (2405)	11-0036	2		82	RELIEF VALVE	22-0005	1
-	BELT (3004)	11-0017	2		83	PUMP	3-0202	1
37	SHEAVE	10-0035	1		-	DECAL SET	71-1044	1

*MUST ORDER IN ONE FOOT LENGTHS

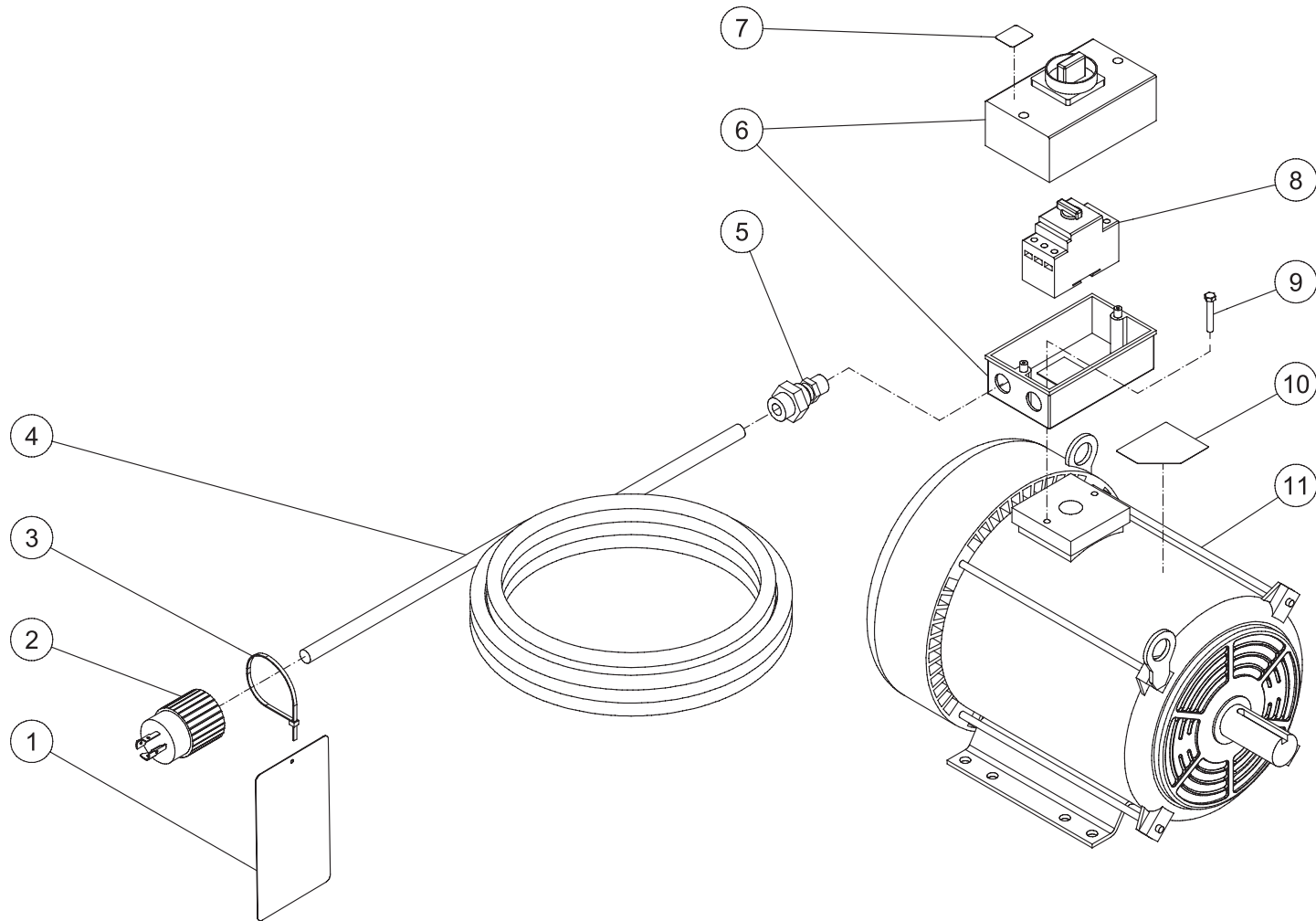
MOTOR ASSEMBLY (851-0398)



MOTOR ASSEMBLY

ITEM	DESCRIPTION	PART #	QTY
1	TAG - WARNING RISK OF ELECTROCUTION	N/A	1
2	PLUG	32-0012	1
-	PLUG - (CX-0003)	32-0117	1
3	CABLE TIE	33-0022	1
4	CORD *(TEN FEET REQUIRED)	32-0021	1
-	CORD (CX-0003) *(TEN FEET REQUIRED)	32-0025	1
5	BUSHING - CORD	32-0040	1
6	ELECTRICAL LOCKNUT	32-0292	1
7	SWITCH	32-0301	1
8	DECAL - DO NOT SPRAY	N/A	1
9	DECAL - WARNING REMOVAL OF COVER	N/A	1
10	MOTOR	N/A	1
-	STARTER (CX-0003)	32-1045	1
-	WIRE SPLICE	32-0359	1
-	TERMINAL	32-0034	1
*MUST ORDER IN ONE FOOT LENGTHS			

MOTOR ASSEMBLY (851-0399)

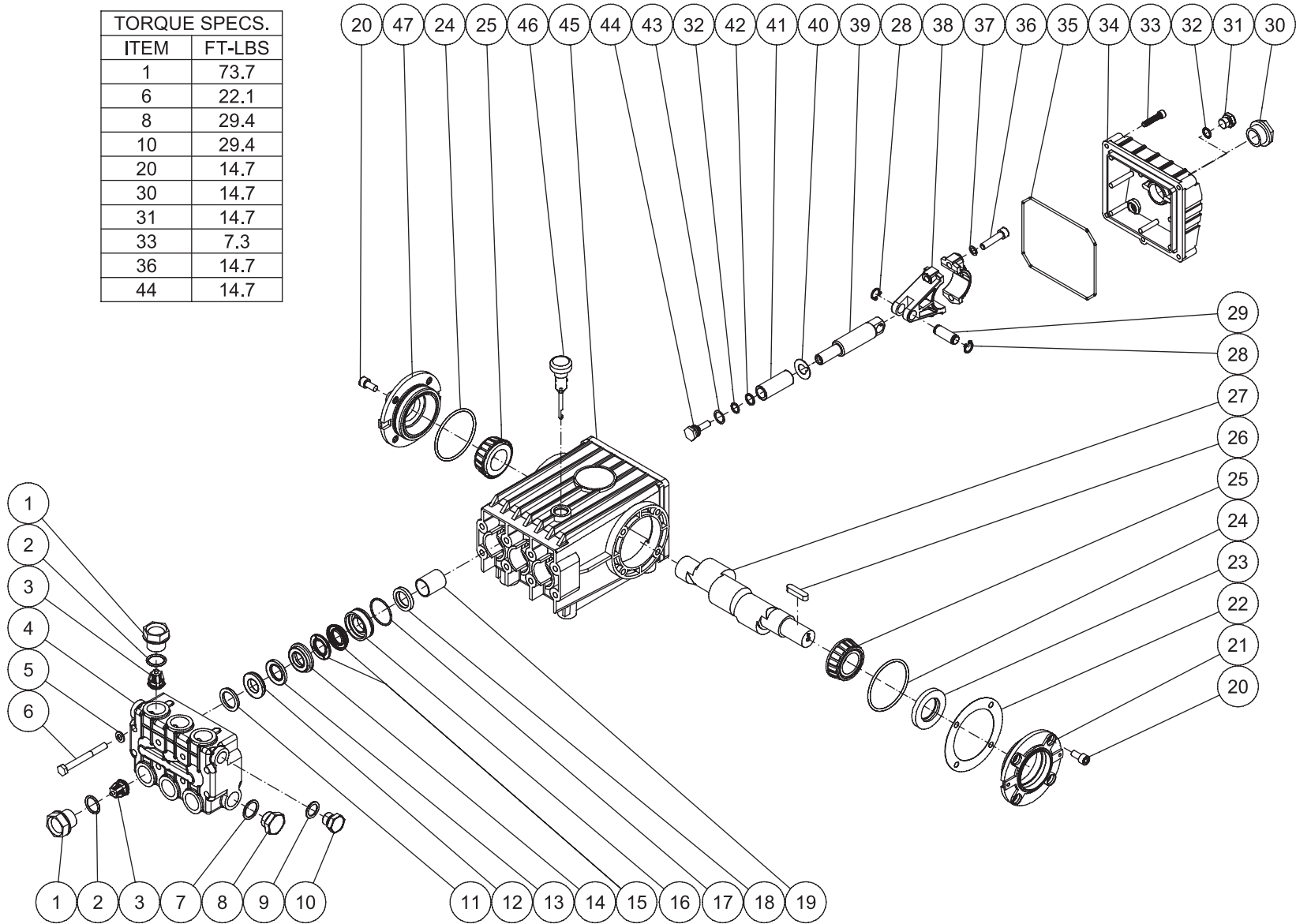


MOTOR ASSEMBLY

ITEM	DESCRIPTION	PART #	QTY
1	TAG - WARNING RISK OF ELECTROCUTION	N/A	1
2	PLUG	32-0037	1
-	PLUG (CX-0003)	32-0117	1
3	CABLE TIE	33-0022	1
4	CORD *(TEN FEET REQUIRED)	32-0023	1
-	CORD *(TEN FEET REQUIRED) (CX-0003)	32-0025	1
5	STRAIN RELIEF	32-0013	1
6	STARTER BOX	N/A	1
-	STARTER (CX-0003)	32-1045	1
7	DECAL - WARNING REMOVAL OF COVER	N/A	1
8	STARTER	32-1046	1
9	BOLT	27-0018	2
10	DECAL - DO NOT SPRAY	N/A	1
11	MOTOR	2-0093	1
-	WIRE SPLICE	32-0359	1
*MUST ORDER IN ONE FOOT LENGTHS			

PUMP ASSEMBLY (3-0202) (AFTER SERIAL #10375000)

TORQUE SPECS.	
ITEM	FT-LBS
1	73.7
6	22.1
8	29.4
10	29.4
20	14.7
30	14.7
31	14.7
33	7.3
36	14.7
44	14.7

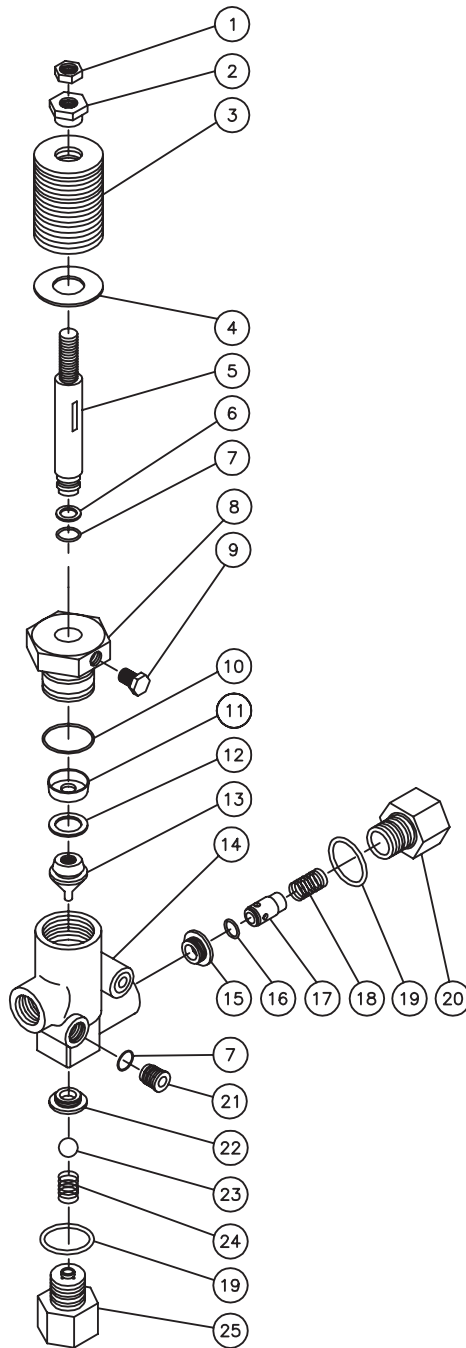


3-0202_3-0203 042914 CH

PUMP ASSEMBLY							
ITEM	DESCRIPTION	PART #	QTY	ITEM	DESCRIPTION	PART #	QTY
1	VALVE CAP	46-0889	6	25	BEARING	48-0012	2
2	O-RING	25-0012	6	26	KEY	43-0048	1
3	VALVE (SEE KIT 70-0009)	22-0056	6	27	CRANKSHAFT	46-0050	1
4	MANIFOLD	46-0890	1	28	RETAINING RING	46-0103	6
5	WASHER	28-1039	8	29	CONNECTING ROD PIN	43-0032	3
6	BOLT	27-8185	8	30	OIL LEVEL INDICATOR	46-0114	1
7	WASHER	28-1038	2	31	PLUG	39-0017	1
8	PLUG	39-0019	2	32	O-RING	25-0014	4
9	WASHER	28-1002	2	33	BOLT	27-8404	5
10	PLUG	39-0018	2	34	CRANKCASE OPEN COVER	46-0295	1
11	HEAD RING (SEE KIT 70-0030 AND 852-0122)	70-0030	3	35	O-RING	25-0339	1
12	V-PACKING SUPPORT (SEE KIT 70-0147 AND 852-0122)	26-0098	3	36	BOLT	27-8435	6
13	O-RING (SEE KIT 70-0147 AND 70-0148 AND 852-0122)	25-0207	3	37	LOCKWASHER	29-0154	6
14	HIGH PRESSURE INTERMEDIATE SEAL RETAINER (SEE KIT 70-0148)	46-0659	3	38	CONNECTING ROD	46-0051	3
15	PRESSURE SEAL (SEE KIT 70-0147 AND 852-0122)	26-0197	3	39	PISTON ROD	46-0056	3
16	LOW PRESSURE SEAL RETAINER	46-0057	3	40	SLINGER WASHER	46-0146	3
17	O-RING (SEE KIT 852-0122)	25-0015	3	41	PLUNGER	46-0052	3
18	OIL SEAL	26-0047	3	42	BACK-UP RING	46-0109	3
19	BUSHING	9-0029	3	43	WASHER	28-0400	3
20	BOLT	27-8431	8	44	NUT / PISTON	46-0069	3
21	CRANKCASE COVER	46-0296	1	45	CRANKCASE	46-0047	1
22	SHIM	46-0113	1	46	OIL DIP STICK	46-0144	1
23	OIL SEAL	26-0049	1	47	CRANKCASE COVER	46-0336	1
24	O-RING	25-0013	2				

REPLACEMENT KITS				
KIT#	DESCRIPTION	ITEMS	# OF ASSEMBLIES	# OF CYLINDERS
70-0009	VALVES	3	6	3
70-0030	HEAD RING	11	3	3
70-0147	V-PACKING	12, 13, 15	3	3
70-0148	INTERMEDIATE RETAINER	13, 14	3	3
852-0122	V-PACKING ASSY	11-13, 15, 17	3	3

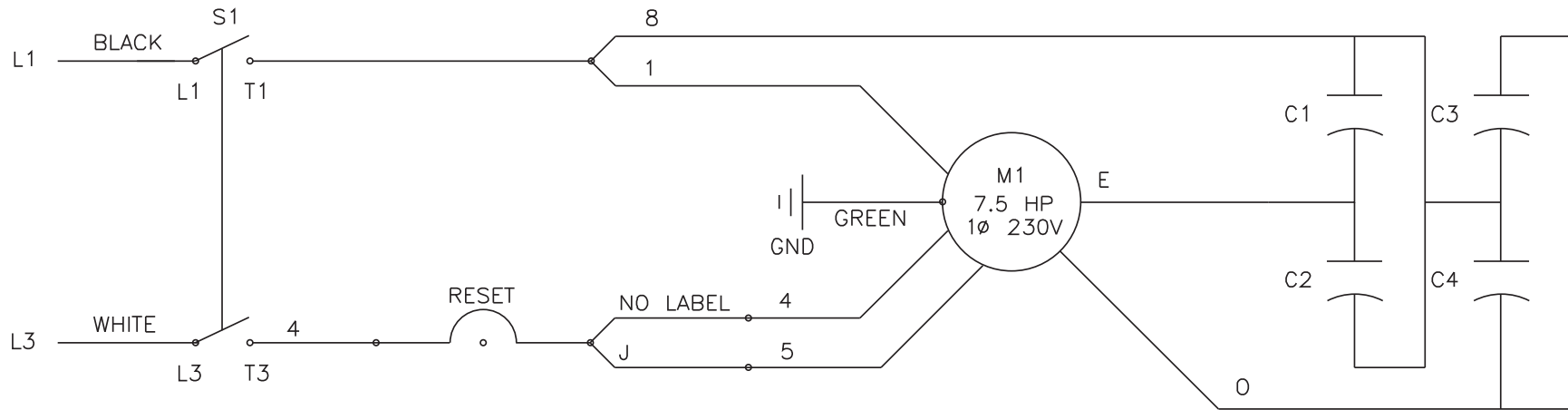
UNLOADER ASSEMBLY (8-0032)



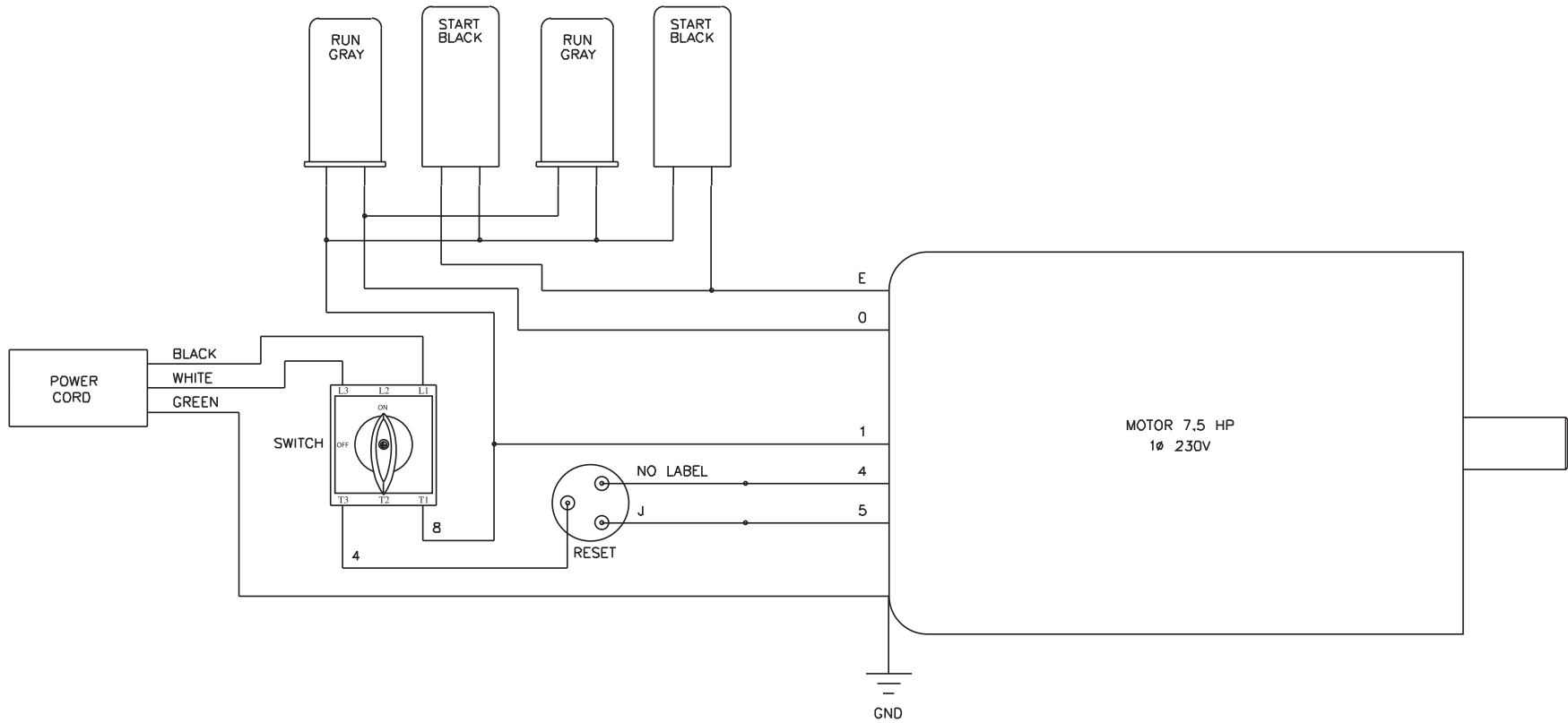
8-0032 061113 MLK			
UNLOADER ASSEMBLY (8-0032)			
REF.#	DESCRIPTION	PART #	QTY.
1	LOCKNUT	30-3058	1
2	ADJUSTING NUT	8-0089	1
3	SPRING WASHERS - ORANGE	8-0009	15
4	WASHER	28-0250	1
5	VALVE STEM	8-0037	1
6	BACKUP RING (SEE KIT 70-0044)	8-0038	1
7	O-RING (SEE KIT 70-0044)	25-0009	5
8	VALVE CAP	8-0036	1
9	SET SCREW	8-0084	1
10	O-RING (SEE KIT 70-0044)	25-0008	1
11	CUP (SEE KIT 70-0044)	8-0034	1
12	BACK-UP RING (SEE KIT 70-0044)	8-0040	1
13	PISTON	8-0039	1
14	VALVE BODY	8-0164	1
15	OUTLET SEAT	8-0006	1
16	O-RING (SEE KIT 70-0044)	25-0011	1
17	OUTLET VALVE	8-0004	1
18	SPRING	49-0016	1
19	O-RING (SEE KIT 70-0044)	25-0010	2
20	OUTLET RETAINER	8-0003	1
21	BRASS PLUG	8-0011	4
22	VALVE SEAT	8-0005	1
23	BALL	8-0041	1
24	SPRING	49-0015	1
25	INLET RETAINER	8-0165	1

REPLACEMENT KITS			
KIT#	DESCRIPTION	ITEMS	QTY
70-0044	UNLOADER KIT	6, 7, 10-12, 16, 19	2, 5, 1, 1, 1, 1, 2

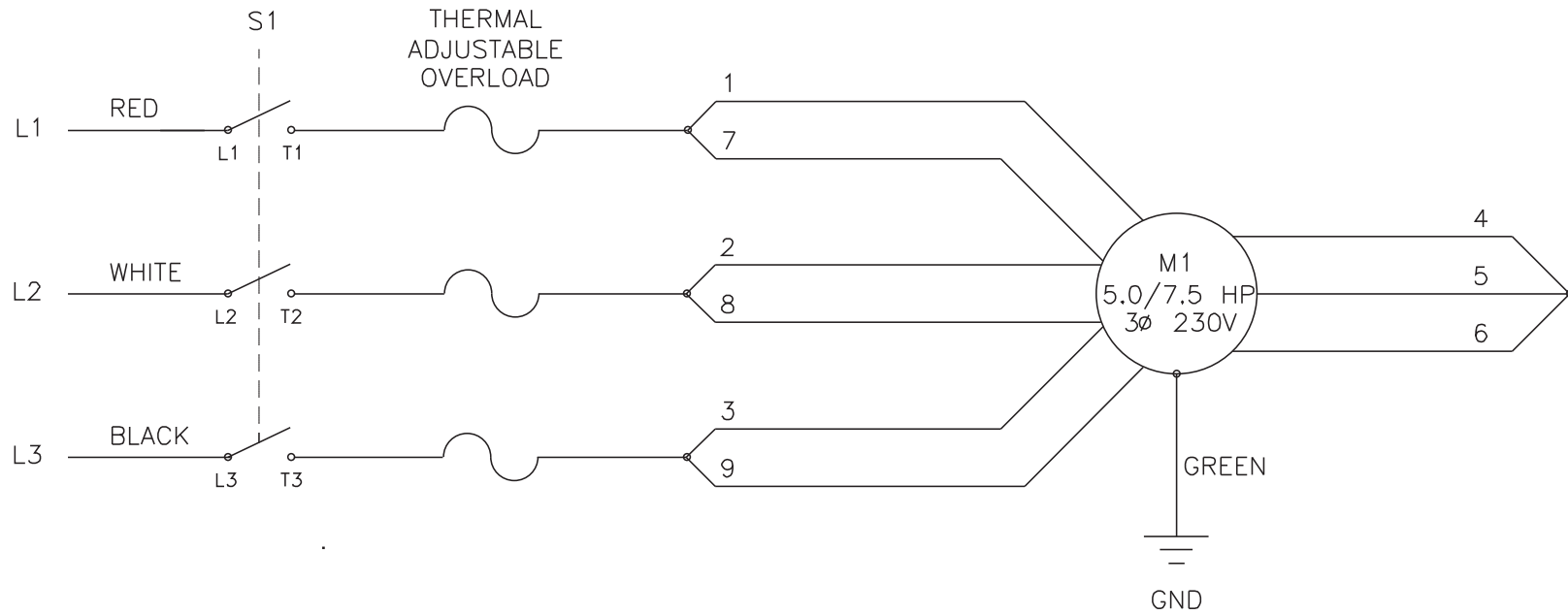
WIRING SCHEMATIC FOR 2405/3004 (230 VOLT/SINGLE PHASE)



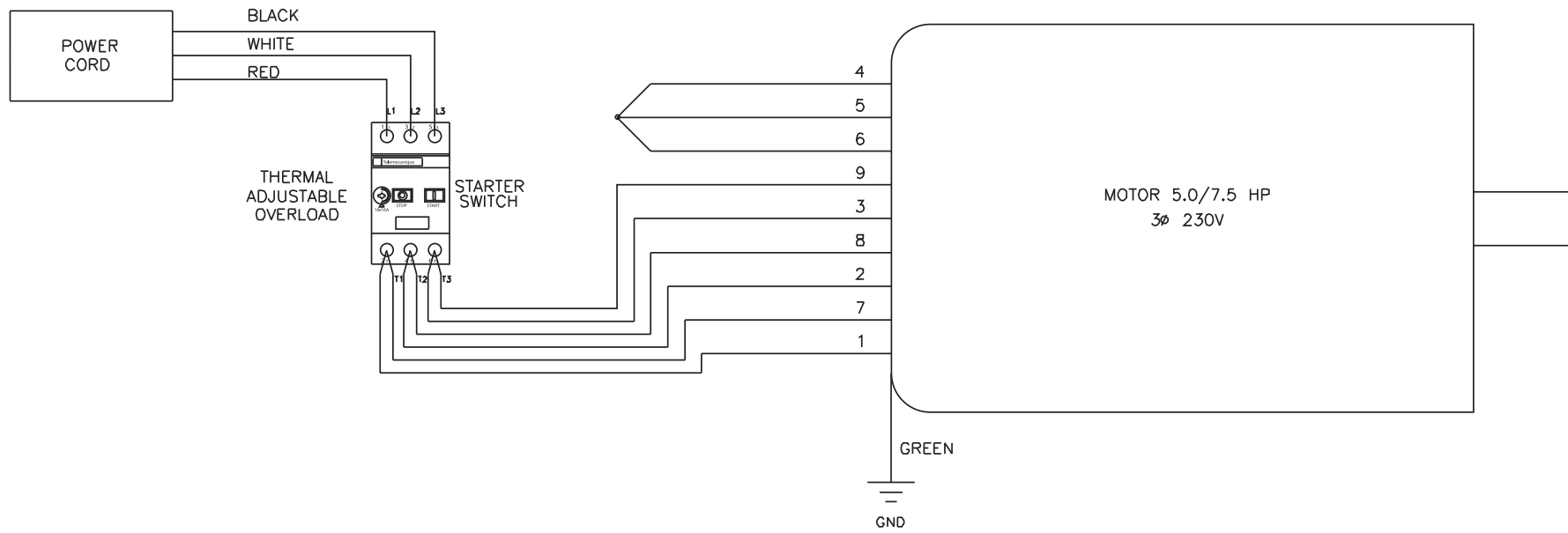
WIRING DIAGRAM FOR 2405/3004 (230 VOLT/SINGLE PHASE)



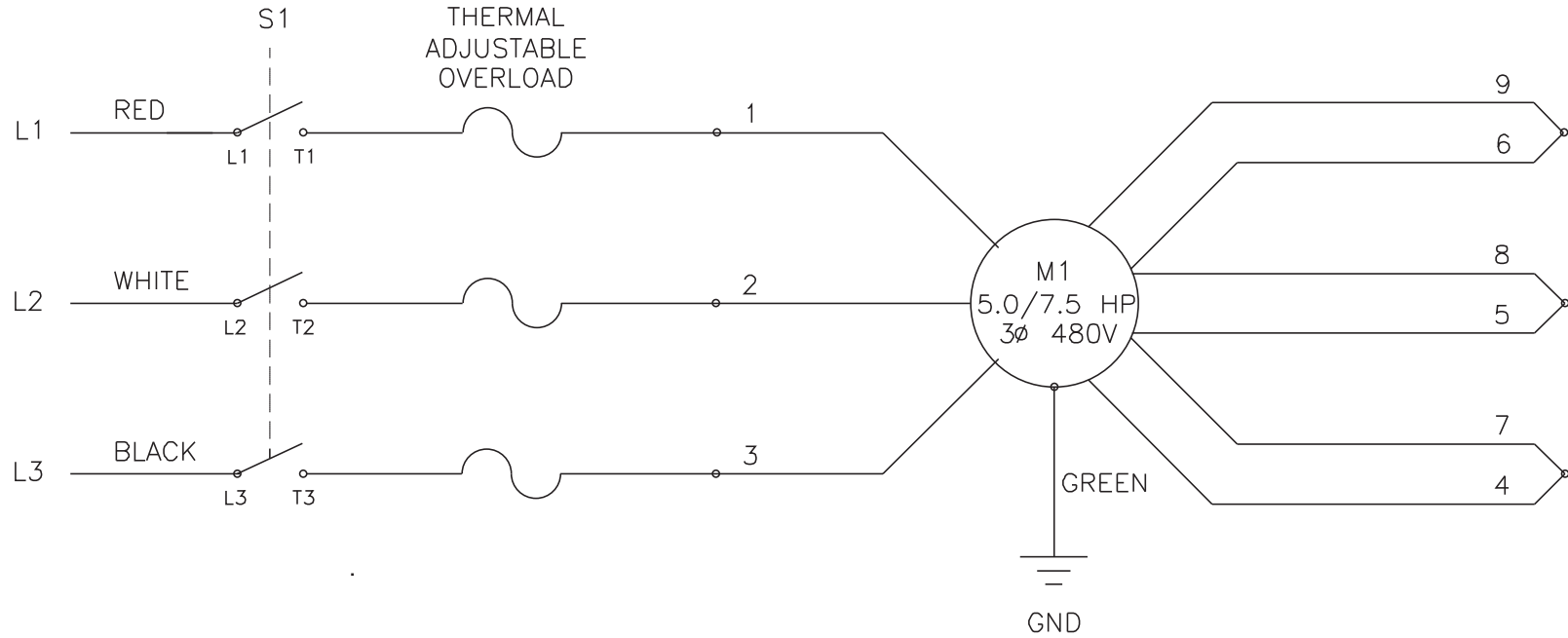
WIRING SCHEMATIC FOR 2405/3004 (230 VOLT/THREE PHASE)



WIRING DIAGRAM FOR 2405/3004 (230 VOLT/THREE PHASE)



WIRING SCHEMATIC FOR 2405/3004 (CX-0003 OPTION) (460 VOLT/THREE PHASE)



WIRING DIAGRAM FOR 2405/3004 (CX-0003 OPTION) (460 VOLT/THREE PHASE)

