

PARTS LIST FOR
3004 SERIES
PORTABLE
DIESEL DRIVEN/BELT DRIVE
COLD WATER PRESSURE WASHER
(AFTER SERIAL #10823804)

Engine Oil Grade:	SAE 20W-40
Engine Oil Capacity:	50 oz.
Pump Oil Grade:	Pump Oil #AW-4085-0016
Pump Oil Capacity:	40.6 oz.
Nozzle Size:	4.5

This Parts Listing has been compiled for your benefit. You can be assured your new Cold Water Pressure Washer was constructed and designed with quality and performance in mind using over 25 years experience in the pressure washer business. Each component has been rigorously tested to insure the highest level of acceptance.

The contents of this Parts Listing are based on the latest product information available at the time of publication. The manufacturer reserves the right to make changes in price, color, materials, equipment, specifications or models at any time without notice.

WARNING

THIS IS A PROFESSIONAL HIGH PRESSURE, COLD WATER PRESSURE WASHER. CAUTION SHOULD BE OBSERVED WHEN USING OR REPAIRING THIS UNIT! READ AND FOLLOW THE SAFETY WARNINGS LISTED BELOW BEFORE ATTEMPTING ANY REPAIRS ON THIS PRESSURE WASHER!

SAFETY WARNINGS

1. NEVER alter or modify the equipment. Be sure any accessory items and system components being used will withstand the pressure developed. Use only genuine manufactured parts for repair of your pressure washer. Failure to do so can cause hazardous operating conditions and will VOID warranty.
2. NEVER maintenance the unit while running. Using the engine stop lever turn the engine off, remove the key from the key switch. Turning over the machinery by hand during adjustment or cleaning might start the machinery, causing serious injury to the operator.
3. Know how to stop and bleed pressures quickly. Be thoroughly familiar with controls.
4. Before servicing the unit, turn unit off, relieve the water pressure and allow the unit to cool down. Do not make repairs while the unit is running. Service in a clean, dry, flat area.
5. After testing the machine, DO NOT leave the pressurized unit unattended. Shut off the unit and release trapped pressure before leaving.

Table of Contents

SPECIFICATIONS	3
NOTES	4
NOTES	5
FRAME ASSEMBLY FOR 3004 (AFTER SERIAL #10823804)	6
PUMP ASSEMBLY (3-0203)	8
UNLOADER ASSEMBLY (8-0634)	10

SPECIFICATIONS

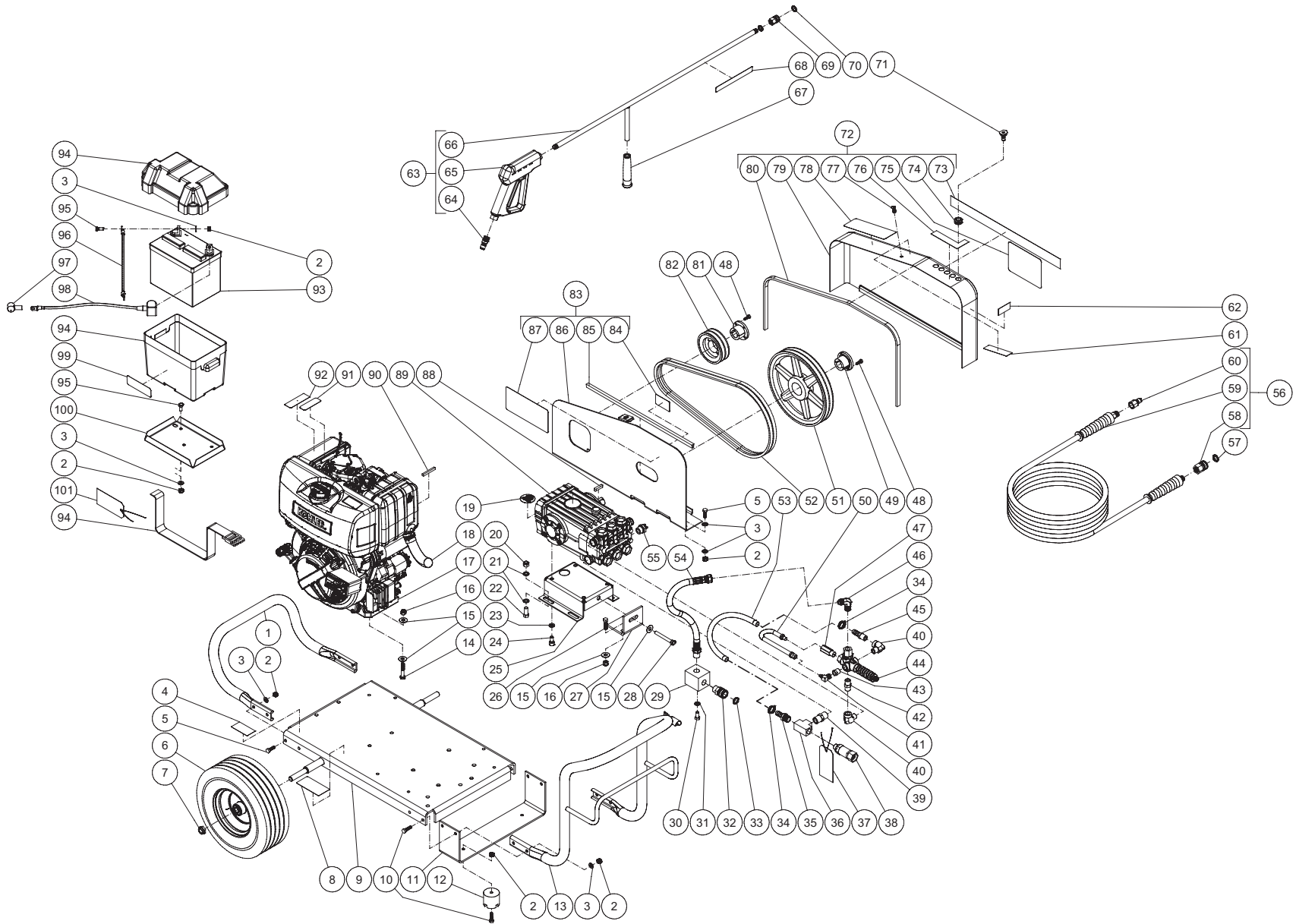
Operating Pressure (PSI/Bar):	3000/206.8
High Pressure Nozzle:	4.5
Water Volume (GPM/lpm):	3.9/14.8
Engine:	Kohler
Model	KD440
Engine Type	Air Cooled, Vertical Single Cylinders, Four Stroke Diesel
Oil Type	SAE20W-40
Oil Capacity (oz./liters)	50/1.5
Fuel Type	Diesel
Fuel Capacity (gallon/ liters)	1.3/5
Starting	Electric
Maximum No Load RPM	3600 (+/- 100) RPM
Pump:	Belt Driven, Oil Bath, Triplex Piston
Oil Type	Pump Oil #AW-4085-0016
Oil Capacity (oz./liters)	41/1.2
Plungers	Ceramic
Manifold	Forged Brass
Valves	Stainless Steel
Unloader	Preset
Heat Dump Valve	Relieves heated water during unloader bypass stage
Unit Net Weight (lbs/Kg)	263/119
Unit Shipping Weight (lbs/Kg)	333/151
Unit Net Dimension (in/cm)	46Lx28Wx30H/117Lx71Wx76H
Unit Shipping Dimension (in/cm)	48.5Lx30.5Wx35.5H/123Lx77.5Wx90H

NOTES

DATE	SERIAL #	REASON FOR CHANGE
11/19/14	10823804	CHANGED BELTS & SHEAVES & BYPASS HOSE SETUP.

NOTES

FRAME ASSEMBLY FOR 3004 (AFTER SERIAL #10823804)



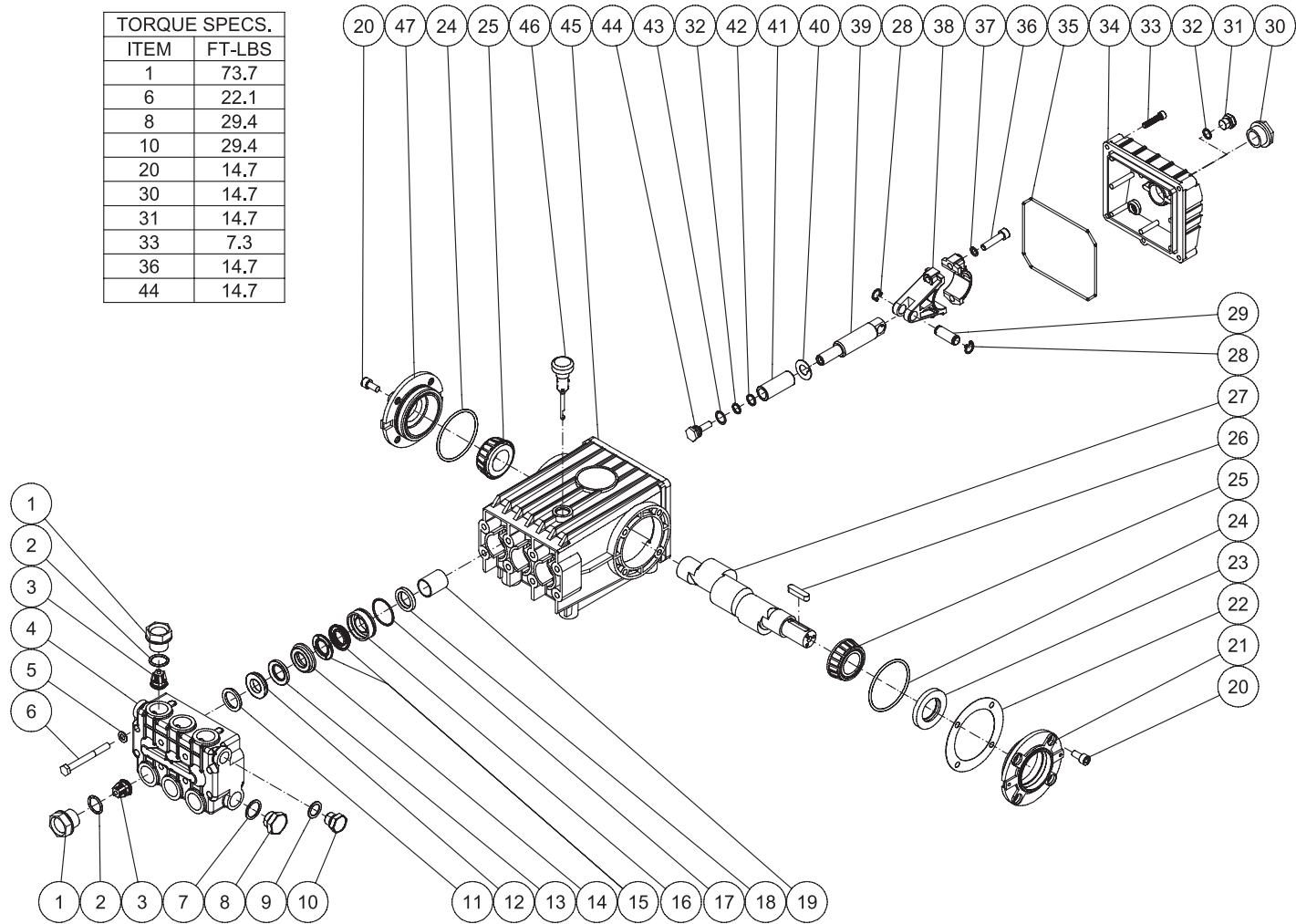
DC-3004-W0K7G 062617 JJR

FRAME ASSEMBLY							
ITEM	DESCRIPTION	PART #	QTY	ITEM	DESCRIPTION	PART #	QTY
1	HANDLE	7-0175	1	54	HOSE	15-0141	1
2	LOCKNUT	30-0157	18	55	RELIEF VALVE	22-0005	1
3	WASHER	28-0003	22	56	HOSE ASSEMBLY	851-0338	1
4	DECAL	N/A	1	57	O-RING	25-0123	1
5	BOLT	27-0067	8	58	QC SOCKET	17-0004	1
6	WHEEL	14-0127	2	59	HOSE	15-0209	1
7	LOCKNUT	30-0117	2	60	QUICK CONNECT	17-0006	1
8	DECAL- SILVER STICKER	N/A	1	61	DECAL - RISK OF BURNS (SEE 71-1035)	N/A	1
9	BASEPLATE	5-0117A01	1	62	DECAL - MADE IN USA	34-3553	1
10	BOLT	27-0068	6	63	GUN/WAND ASSEMBLY	851-0095	1
11	UNDERBRACKET	13-0137A01	1	64	QUICK CONNECT	17-0005	1
12	ISOLATOR	14-0008	2	65	GUN	16-0001	1
13	HANDLE	7-0174A01	1	66	WAND (ALSO INC. 64-67)	16-0418	1
14	BOLT	27-0121	4	67	GRIP	7-0002	1
15	WASHER	28-0023	11	68	DECAL - RISK OF INJECTION (SEE 71-1035)	N/A	1
16	LOCKNUT	30-0159	6	69	QUICK CONNECT	17-0001	1
17	ENGINE	1-0217	1	70	O-RING	25-0122	1
18	EXHAUST DIVERTER	W/ENGINE	1	71	NOZZLE	18-0402	1
19	DECAL - PUMP	N/A	1	-	NOZZLE	18-0403	1
20	LOCKNUT	30-0161	4	-	NOZZLE	18-0404	1
21	WASHER	28-0030	8	-	NOZZLE	18-0405	1
22	BOLT	27-0166	4	72	BELTGUARD COVER ASSY - MED	851-0216	1
23	LOCKWASHER	29-0055	4	73	DECAL - STRIPE	N/A	1
24	BOLT	27-8471	4	74	GROMMET	33-0001	5
25	PUMP BRACKET	5-0101A01	1	75	DECAL - LOGO	N/A	1
26	BOLT	27-0118	2	76	DECAL - NOZZLE	N/A	1
27	BRACKET	13-0003A01	1	77	FASTENER	33-0197	1
28	BOLT	27-0576	1	78	DECAL - OPERATION (SEE 71-1035)	N/A	1
29	MANIFOLD BLOCK	51-0012	1	79	BELTGUARD COVER	N/A	1
30	BOLT	27-0116	2	80	EDGING *(FOUR FEET REQUIRED)	33-0020	1
31	LOCKWASHER	29-0008	2	81	BUSHING	9-0005	1
32	QUICK CONNECT SOCKET	17-0029	1	82	SHEAVE	10-0025	1
33	O-RING	25-0123	2	83	BELTGUARD BACK ASSY - MED (INC 84-87)	851-0271	1
34	HOSE CLAMP	42-0011	2	84	DECAL - BELTGUARD IN PLACE (SEE 71-1035)	N/A	1
35	BARB	23-0045	1	85	EDGING *(TWO FEET REQUIRED)	33-0020	1
36	TEE	23-0043	1	86	BELTGUARD BACK	N/A	1
37	TAG - WATER SUPPLY INLET (E)	N/A	1	87	DECAL - WARNING (SEE 71-1035)	N/A	1
38	FILTER	19-0206	1	88	KEY	43-0048	1
39	NIPPLE	23-0012	1	89	PUMP	3-0203	1
40	ELBOW	24-0105	2	90	KEY	43-0078	1
41	ELBOW	23-0237	1	91	DECAL - DO NOT USE ETHER	N/A	1
42	NIPPLE	24-0010	1	92	DECAL - RISK OF FIRE (SEE 71-1035)	N/A	1
43	REDUCER	23-0017	1	93	BATTERY	32-0058	1
44	UNLOADER	8-0634	1	94	BATTERY BOX	33-0092	1
45	HOSE BARB	23-0105	1	95	BOLT	27-0066	4
46	ELBOW	24-0092	1	96	CABLE	32-9111	1
47	EASY START VALVE	22-0242	1	97	TERMINAL PROTECTOR	33-0508	1
48	BOLT	27-0015	4	98	CABLE	32-9112	1
49	BUSHING	9-0017	1	99	DECAL - RISK OF INJURY (SEE 71-1035)	N/A	1
50	EZ START HOSE	15-0140	1	100	BATTERY RETAINER	20-0264A01	1
51	SHEAVE	10-0040	1	101	TAG	N/A	1
52	BELT	11-0009	2	-	DECAL SET	71-1035	1
53	HOSE	15-0022	1				

*MUST ORDER IN ONE FOOT LENGTHS

PUMP ASSEMBLY (3-0203)

TORQUE SPECS.	
ITEM	FT-LBS
1	73.7
6	22.1
8	29.4
10	29.4
20	14.7
30	14.7
31	14.7
33	7.3
36	14.7
44	14.7

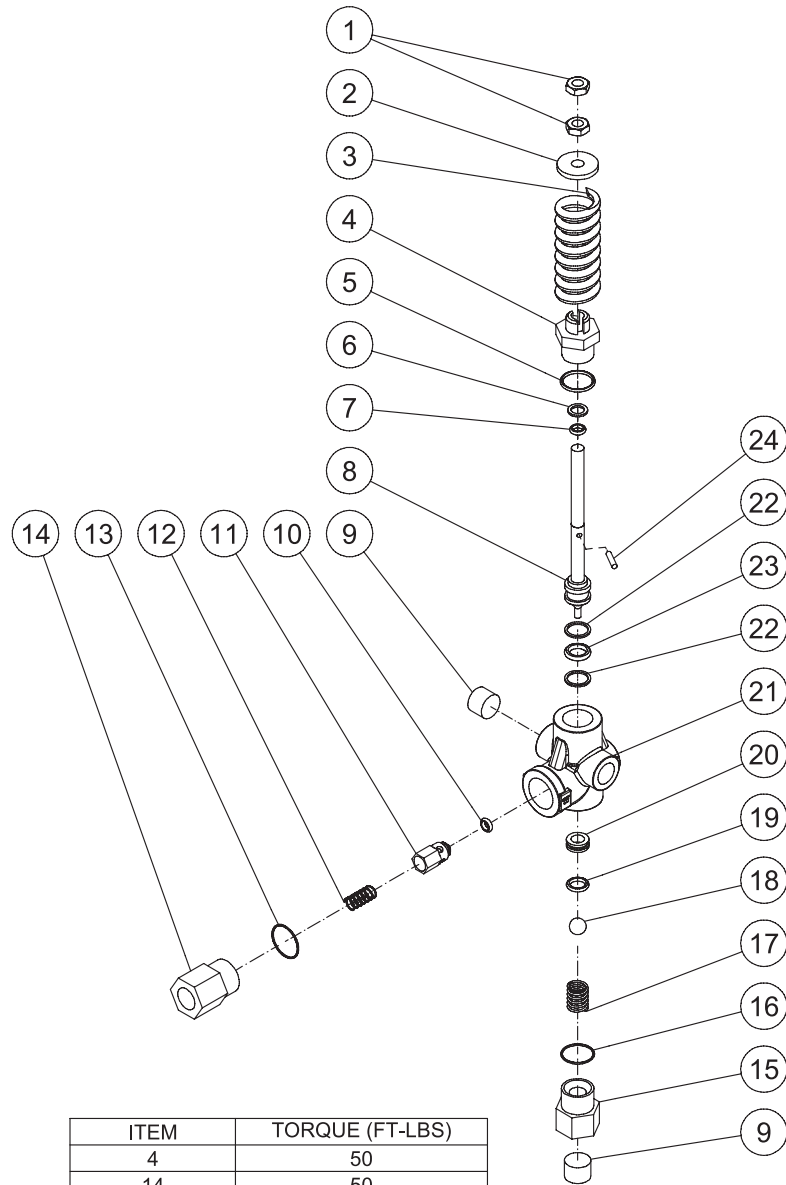


3-0202_3-0203 082713 JDK

PUMP ASSEMBLY							
ITEM	DESCRIPTION	PART #	QTY	ITEM	DESCRIPTION	PART #	QTY
1	VALVE CAP	46-0889	6	25	BEARING	48-0012	2
2	O-RING	25-0012	6	26	KEY	43-0048	1
3	VALVE (SEE KIT 70-0009)	SEE KIT	6	27	CRANKSHAFT	N/A	1
4	MANIFOLD	46-0890	1	28	RETAINING RING	46-0103	6
5	WASHER	28-1039	8	29	CONNECTING ROD PIN	43-0032	3
6	BOLT	27-8185	8	30	OIL LEVEL INDICATOR	46-0114	1
7	WASHER	28-1038	2	31	PLUG	39-0017	1
8	PLUG	39-0019	2	32	O-RING	25-0014	4
9	WASHER	28-1002	2	33	BOLT	27-8404	5
10	PLUG	39-0018	2	34	CRANKCASE OPEN COVER	46-0295	1
11	HEAD RING (SEE KIT 70-0030 AND 852-0122)	SEE KIT	3	35	O-RING	25-0339	1
12	V-PACKING SUPPORT (SEE KIT 70-0147 AND 852-0122)	SEE KIT	3	36	BOLT	27-8435	6
13	O-RING (SEE KIT 70-0147 AND 70-0148 AND 852-0122)	SEE KIT	3	37	LOCKWASHER	29-0154	6
14	HIGH PRESSURE INTERMEDIATE SEAL RETAINER (SEE KIT 70-0148)	SEE KIT	3	38	CONNECTING ROD	46-0051	3
15	PRESSURE SEAL (SEE KIT 70-0147 AND 852-0122)	SEE KIT	3	39	PISTON ROD	46-0056	3
16	LOW PRESSURE SEAL RETAINER	46-0057	3	40	SLINGER WASHER	46-0146	3
17	O-RING (SEE KIT 852-0122)	SEE KIT	3	41	PLUNGER	46-0052	3
18	OIL SEAL	26-0047	3	42	BACK-UP RING	46-0109	3
19	BUSHING	9-0029	3	43	WASHER	28-0400	3
20	BOLT	27-8431	8	44	NUT / PISTON	46-0069	3
21	CRANKCASE COVER	46-0296	1	45	CRANKCASE	46-0047	1
22	SHIM	46-0113	1	46	OIL DIP STICK	46-0144	1
23	OIL SEAL	26-0049	1	47	CRANKCASE COVER	46-0336	1
24	O-RING	25-0013	2				

REPLACEMENT KITS				
KIT#	DESCRIPTION	ITEMS	# OF ASSEMBLIES	# OF CYLINDERS
70-0009	VALVES	3	6	3
70-0030	HEAD RING	11	3	3
70-0147	V-PACKING	12, 13, 15	3	3
70-0148	INTERMEDIATE RETAINER	13, 14	3	3
852-0122	V-PACKING ASSY	11-13, 15, 17	3	3

UNLOADER ASSEMBLY (8-0634)



ITEM	TORQUE (FT-LBS)
4	50
14	50
15	50

8-0634 052213 JDK			
UNLOADER ASSEMBLY			
ITEM	DESCRIPTION	PART #	QTY
1	NUT	8-0293	2
2	SPRING SPACER	46-1527	1
3	SPRING	49-0171	1
4	FITTING	46-1529	1
5	O-RING (SEE KIT 70-0625)	SEE KIT	1
6	O-RING (SEE KIT 70-0625)	SEE KIT	1
7	O-RING (SEE KIT 70-0625)	SEE KIT	1
8	STEM	46-1530	1
9	PLUG	23-0244	2
10	O-RING (SEE KIT 70-0624)	SEE KIT	1
11	POPPET (SEE KIT 70-0624)	SEE KIT	1
12	SPRING (SEE KIT 70-0624)	SEE KIT	1
13	O-RING	25-0672	1
14	OUTLET FITTING	46-1531	1
15	INLET FITTING (SEE KIT 70-0625)	SEE KIT	1
16	O-RING (SEE KIT 70-0625)	SEE KIT	1
17	SPRING	49-0172	1
18	BALL (SEE KIT 70-0625)	SEE KIT	1
19	O-RING (SEE KIT 70-0625)	SEE KIT	1
20	SEAT	46-1532	1
21	FORGING	46-1533	1
22	BACKUP RING (SEE KIT 70-0625)	SEE KIT	2
23	O-RING (SEE KIT 70-0625)	SEE KIT	1
24	PIN (SEE KIT 70-0625)	SEE KIT	1

REPLACEMENT KITS			
KIT #	DESCRIPTION	ITEMS	QTY
70-0624	KIT - CHECK VALVE	10-12	1, 1, 1
70-0625	KIT - UNLOADER REBUILD	5-7, 15-16, 18-19, 22-24	1, 1, 1, 1, 1, 1, 1, 2, 1, 1

