



***Propane***  
***Tank Top Heaters***  
**OPERATOR'S MANUAL**  
***MH-0015-IM10 and***  
***MH-0030-IM10***



**CAUTION**

**RISK OF INJURY! READ ENTIRE MANUAL  
BEFORE OPERATING! THIS MANUAL IS AN IMPORTANT PART  
OF THE HEATER AND MUST REMAIN WITH THIS UNIT!**

## TABLE OF CONTENTS

INTRODUCTION.....	3
IMPORTANT! .....	3
<b>IMPORTANT SAFETY INSTRUCTIONS.....</b>	<b>4</b>
WHAT TO DO IF THE SMELL OF GAS IS PRESENT .....	6
<b>PORTABLE HEATER FEATURES.....</b>	<b>8</b>
<b>HEATER SPECIFICATIONS.....</b>	<b>8</b>
<b>GENERAL SAFETY INFORMATION .....</b>	<b>9</b>
IMPORTANT SAFETY INFORMATION.....	9
PROPANE (LP) SUPPLY .....	10
<b>ASSEMBLY.....</b>	<b>11</b>
VENTILATION .....	11
CONNECTING HEATER TO LP CYLINDER.....	11
SINGLE BURNER MODELS ONLY .....	11
DOUBLE BURNER MODELS ONLY .....	11
<b>OPERATION.....</b>	<b>12</b>
LIGHTING INSTRUCTIONS .....	12
MATCH LIGHT MODELS.....	12
TO TURN OFF HEATER.....	12
<b>MAINTENANCE.....</b>	<b>13</b>
MAINTENANCE AND STORAGE.....	13
<b>STATEMENT OF WARRANTY.....</b>	<b>14</b>

**⚠ FOR OUTDOOR USE. INDOOR USE PERMITTED ONLY FOR: THE TEMPORARY HEATING OF ADEQUATELY VENTILATED BUILDINGS OR STRUCTURES UNDER CONSTRUCTION, ALTERATION OR REPAIR.**

**⚠ GENERAL HAZARD WARNING: FAILURE TO COMPLY WITH THE PRECAUTIONS AND INSTRUCTIONS PROVIDED WITH THIS HEATER, CAN RESULT IN DEATH, OR SERIOUS BODILY INJURY AND PROPERTY LOSS OR DAMAGE FROM HAZARDS OF FIRE, EXPLOSION, BURN, ASPHYXIATION, CARBON MONOXIDE POISONING, AND / OR ELECTRICAL SHOCK.**

**ONLY PERSONS WHO CAN UNDERSTAND AND FOLLOW THE INSTRUCTIONS SHOULD USE OR SERVICE THIS HEATER.**

**IF YOU NEED ASSISTANCE OR HEATER INFORMATION SUCH AS AN INSTRUCTIONS MANUAL, LABEL, ETC. CONTACT THE MANUFACTURER.**

**⚠ WARNING: FIRE, BURN, INHALATION, AND EXPLOSTION HAZARD. KEEP SOLID COMBUSTIBLES, SUCH AS BUILDING MATERIALS, PAPER OR CARDBOARD, A SAFE DISTANCE AWAY FROM THE HEATER AS RECOMMENDED BY THE INSTRUCTIONS. NEVER USE THE HEATER IN SPACES WHICH DO OR MAY CONTAIN VOLATILE OR AIRBORNE COMBUSTIBLES, OR PRODUCTS SUCH AS GASOLINE, SOLVENTS, PAINT THINNER, DUST PARTICLES OR UNKNOWN CHEMICALS.**

**⚠ WARNING: NOT FOR HOME OR RECREATIONAL VEHICLE USE.**

This heater is designed and approved for use as a construction heater in accordance with ANSI Z83.7a/ CSA2.14a-2007

### **⚠ WARNING**

**Warning:** This product contains lead, a chemical known to the State of California to cause birth defects or other reproductive harm.

***Wash your hands after handling this product.***

### **⚠ WARNING**

This product contains one or more chemicals known to the State of California to cause cancer and birth defects or other reproductive harm.

## INTRODUCTION

Congratulations on the purchase of your new Mi-T-M® Heater! You can be assured your Mi-T-M® Heater was constructed with the highest level of precision and accuracy. Each component has been rigorously tested by technicians to ensure the quality, endurance and performance of this heater.

This operator's manual was compiled for your benefit. By reading and following the simple safety, installation and operation, maintenance and troubleshooting steps described in this manual, you will receive years of troublefree operation from your new Heater. The contents of this manual are based on the latest product information available at the time of publication. The Manufacturer reserves the right to make changes in price, color, materials equipment, specifications or models at any time without notice.

### **IMPORTANT!**

A "DANGER, WARNING or CAUTION" safety warning will be surrounded by a "SAFETY ALERT BOX". This box is used to designate and emphasize Safety Warnings that must be followed when operating this heater. Accompanying the safety warnings are "Signal Words" which designate the degree or level of hazard seriousness. The "Signal Words" used in this manual are as follows:

**DANGER: INDICATES AN IMMINENTLY HAZARDOUS SITUATION WHICH, IF NOT AVOIDED, WILL RESULT IN DEATH OR SERIOUS INJURY.**

**WARNING: INDICATES A POTENTIALLY HAZARDOUS SITUATION WHICH, IF NOT AVOIDED, COULD RESULT IN DEATH OR SERIOUS INJURY.**

**CAUTION: INDICATES A POTENTIALLY HAZARDOUS SITUATION WHICH, IF NOT AVOIDED MAY RESULT IN MINOR OR MODERATE INJURY OR DAMAGE TO THE HEATER.**

The symbols set below are "Safety Alert Symbols". These symbols are used to call attention to items or procedures that could be dangerous to you or other persons using this equipment.



**ALWAYS PROVIDE A COPY OF THIS MANUAL TO ANYONE USING THIS EQUIPMENT. READ ALL INSTRUCTIONS IN THIS MANUAL AND ANY INSTRUCTIONS SUPPLIED BY MANUFACTURERS OF SUPPORTING EQUIPMENT BEFORE OPERATING THE HEATER AND ESPECIALLY POINT OUT THE "SAFETY WARNINGS" TO PREVENT THE POSSIBILITY OF PERSONAL INJURY TO THE OPERATOR.**

Once the unit has been uncrated, immediately write in the serial number of your unit in the space provided below.

**SERIAL NUMBER** \_\_\_\_\_

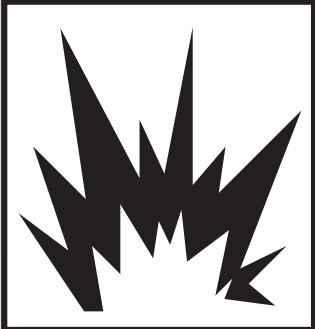


Inspect for signs of obvious or concealed freight damage. If damage does exist, file a claim with the transportation company immediately. Be sure that all damaged parts are replaced and that the mechanical and electrical problems are corrected prior to operation of the unit. If you require service, contact Mi-T-M® Customer Service.

Mi-T-M® Corporation, 8650 Enterprise Drive, Peosta, IA 52068  
563-556-7484 / 800-553-9053 / Fax 563-556-1235  
Monday - Friday 8:00 a.m. - 5:00 p.m. CST

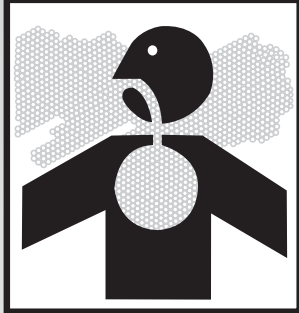
Please have the following information available for all service calls:

1. Model Number
2. Serial Number
3. Date and Place of Purchase


## IMPORTANT SAFETY INSTRUCTIONS

Hazard	Potential Consequence	Prevention
<p><b>RISK OF EXPLOSION OR FIRE</b></p>  	<p>Serious injury or death may occur from normal electrical sparks in motor and pressure switch</p> <p>Serious injury may occur if the heater air inlet or outlet is blocked.</p> <p>Serious injury or death may occur, if heater is running while operating.</p> <p>Serious injury may occur if heater is not placed on level surface and is kept away from children and animals.</p>	<p>Always operate heater in a well ventilated area free of flammable vapors, combustible dust, gases or other combustible materials.</p> <p>Never place objects in front of air inlet (rear) or air outlet (front) of heater. Never use duct work in front or at rear of heater. Keep all combustible material away from this heater.</p> <p>This heater is <b>EXTREMELY HOT</b> while in operation.</p> <p>Bulk fuel storage should be a minimum of 25 ft. from heaters, torches, portable generators, or other sources of ignition. All fuel storage should be in accordance with federal, state, or local authorities having jurisdiction.</p> <p>Never move or handle heater while still hot.</p> <p>Always locate heater on a stable and level surface away from children and animals.</p>
<p><b>RISK OF BURNS</b></p> 	<p>Serious injury could occur from touching exposed metal parts. These areas can remain hot for some time after the heater is turned off.</p>	<p>Never allow any part of your body or other materials to make contact with any exposed metal parts on the heater.</p>

## IMPORTANT SAFETY INSTRUCTIONS

Hazard	Potential Consequence	Prevention
<p><b>RISK TO BREATHING</b></p> 	<p>Serious injury or death could occur from failure to provide proper ventilation according to this manual..</p>	<p>This is a direct-fired heater. Direct-fired means that all of the combustion products enter the heated space. This heater is rated at 98% combustion efficiency, but still produces small amounts of carbon monoxide. It is primarily intended for use for temporary heating of buildings under construction, alteration or repair. This appliance does produce small amounts of carbon monoxide. Carbon monoxide is toxic. Humans can tolerate small amounts of carbon monoxide, and precautions should be taken to provide proper ventilation.</p> <p>Early signs of carbon monoxide poisoning resemble the flu. Symptoms of improper ventilation are: * headache * dizziness * burning of the nose and eyes * nausea * dry mouth * sore throat</p> <p><b>FOR OUTDOOR USE. INDOOR USE PERMITTED ONLY FOR:</b> The temporary heating of adequately ventilated buildings or structures under construction, alteration or repair! Provide at least a three square foot (2,800 sq cm) opening of outside air for every 100,000 BTU/hr of heater rating.</p> <p>People with breathing problems should consult a physician before using the heater.</p> <p><b>Carbon Monoxide Poisoning:</b> Early signs of carbon monoxide poisoning resemble flu-like symptoms such as headaches, dizziness, and/or nausea. If you have these symptoms, your heater may not be working properly.</p> <p>Get fresh air at once! Have the heater serviced. Some people are more affected by carbon monoxide than others. These include pregnant women, those with heart or lung problems, anemia, or those under the influence of alcohol, or at high altitudes.</p> <p>Never use this heater in living or sleeping areas.</p>

## IMPORTANT SAFETY INSTRUCTIONS

 **FIRE, BURN, INHALATION, AND EXPLOSION HAZARD. KEEP COMBUSTIBLES, SUCH AS BUILDING MATERIALS, PAPER OR CARDBOARD, A SAFE DISTANCE AWAY FROM THE HEATER AS RECOMMENDED BY THESE INSTRUCTIONS. NEVER USE THE HEATER IN SPACES WHICH CONTAIN PRODUCTS SUCH AS GASOLINE, SOLVENTS, PAINT THINNERS, DUST PARTICLES, VOLATILE OR AIRBORNE COMBUSTIBLES, OR ANY UNKNOWN CHEMICALS. THIS IS AN UNVENTED PORTABLE HEATER. IT USES AIR (OXYGEN) FROM THE AREA IN WHICH IT IS USED. ADEQUATE COMBUSTION AND VENTILATION AIR MUST BE PROVIDED. REFER TO VENTILATION.**

 **WARNING: IF THE INFORMATION IN THIS MANUAL IS NOT FOLLOWED EXACTLY, A FIRE OR EXPLOSION MAY RESULT CAUSING PROPERTY DAMAGE, PERSONAL INJURY OR LOSS OF LIFE.**

**DO NOT STORE OR USE GASOLINE OR OTHER FLAMMABLE VAPORS AND LIQUIDS IN THE VICINITY OF THIS OR ANY OTHER APPLIANCE.**

**AN LP CYLINDER NOT CONNECTED FOR USE SHALL NOT BE STORED IN THE VICINITY OF THIS OR ANY OTHER APPLIANCE.**

### WHAT TO DO IF THE SMELL OF GAS IS PRESENT:

**DO NOT attempt to light heater**

**Extinguish any open flame**

**Shut off gas to heater**


**If odor continues, contact your local gas supplier or fire department.**

**Do not touch any electric switch, do not use any phone in your building**

**Immediately call your gas supplier from a neighbors phone. Follow the gas suppliers instructions**

**If you can not reach your gas supplier, call the fire department**

**Service must be done by a qualified service agency or the gas supplier.**

 **CALIFORNIA RESIDENTS: COMBUSTION BY-PRODUCTS PRODUCED WHEN USING THIS PRODUCT CONTAIN CARBON MONOXIDE, A CHEMICAL KNOWN TO THE STATE OF CALIFORNIA TO CAUSE CANCER AND BIRTH DEFECTS (OR OTHER REPRODUCTIVE HARM). DO NOT OPERATE THIS HEATER UNTIL YOU HAVE READ, AND THOROUGHLY UNDERSTAND THESE SAFETY AND OPERATING INSTRUCTION. FAILURE TO COMPLY WITH THE PRECAUTIONS AND INSTRUCTIONS PROVIDED WITH THIS HEATER CAN RESULT IN DEATH, SERIOUS BODILY INJURY, PROPERTY LOSS OR DAMAGE FROM THE HAZARDS OF FIRE, EXPLOSION, BURNS, ASPHYXIATION OR CARBON MONOXIDE POISONING. ONLY PERSONS WHO CAN READ AND UNDERSTAND THESE INSTRUCTIONS SHOULD USE OR SERVICE THIS HEATER.**

 **WARNING: NOT FOR USE IN HOMES OR RECREATIONAL VEHICLES OR TENTS.**

 **FOR OUTDOOR USE. INDOOR USE PERMITTED ONLY FOR: THE TEMPORARY HEATING OF ADEQUATELY VENTILATED BUILDINGS OR STRUCTURES UNDER CONSTRUCTION, ALTERATION OR REPAIR.**

 **! SAVE THESE INSTRUCTIONS !** 



**THE FOLLOWING PAGES CONTAIN OPERATING AND  
MAINTENANCE INSTRUCTIONS.**

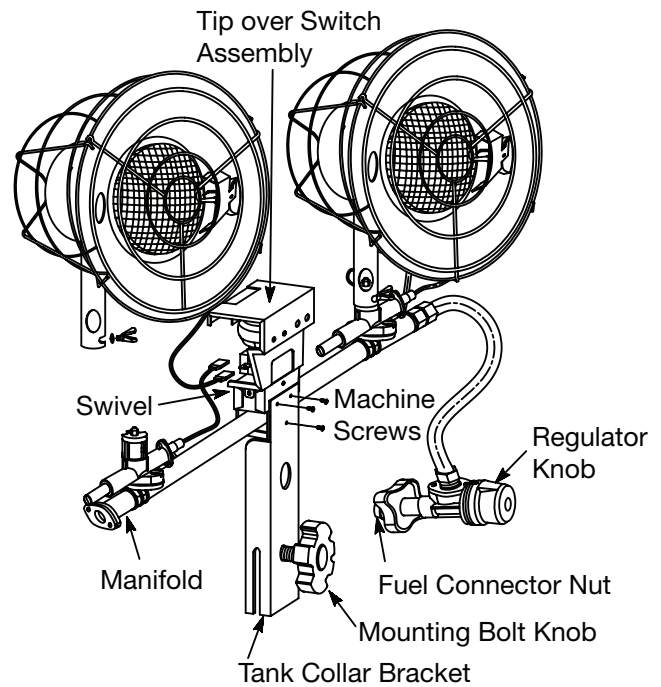
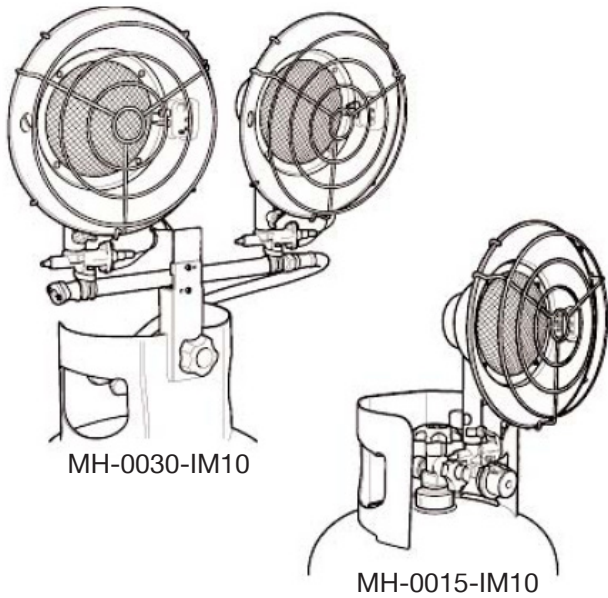
**DO NOT ATTEMPT TO OPERATE THIS PORTABLE HEATER  
UNTIL YOU HAVE READ AND UNDERSTOOD ALL SAFETY  
PRECAUTIONS AND INSTRUCTIONS LISTED IN THIS MANUAL.**

**INCORRECT OPERATION OF THIS UNIT CAN CAUSE SERIOUS  
INJURY!!**

**DO NOT ALTER OR MODIFY THIS EQUIPMENT  
IN ANY MANNER!**

**NEVER LEAVE HEATER UNATTENDED WHILE BURNING OR  
WHILE CONNECTED TO A FUEL  
SOURCE.**

## PORTABLE HEATER FEATURES



## HEATER SPECIFICATIONS

Model	MH-0015-IM10	MH-0030-IM10
Rating BTU/Hr	16,000	32,000
Operating time 20 lb LP cylinder	27 hrs. on high	14 hrs. on high
Ignition	Match	Match
Size (L x W x H)	8.4" x 7.4" x 12.0"	17.5" x 5.5" x 12.0"
Net Weight (Lbs)	2.2	5
Regulator Outlet Pressure	17 PSI	17 PSI



## GENERAL SAFETY INFORMATION

 **WARNING: IMPROPER USE OF THIS HEATER CAN RESULT IN SERIOUS INJURY OR DEATH FROM BURNS, FIRE, EXPLOSION, ELECTRICAL SHOCK AND /OR CARBON MONOXIDE POISONING.**

 **WARNING: NOT FOR USE WITH DUCTWORK.**

 **WARNING: NOT FOR HOME OR RECREATIONAL VEHICLE USE. THE HOSE ASSEMBLY SHALL BE PROTECTED FROM TRAFFIC, BUILDING MATERIAL AND CONTACT WITH HOT SURFACES BOTH DURING USE AND WHILE IN STORAGE.**

IMPORTANT: Read this User's Manual carefully and completely before attempting to operate or service this heater. Improper use of the heater can cause serious injury or death from fire, explosion and carbon monoxide poisoning.

Every possible circumstance that may involve a hazard cannot be anticipated. The warnings in this manual and attached to the unit are therefore not all-inclusive. If a procedure, work method or operating technique not specifically recommended by the manufacturer is used, you must be sure it is safe for you and others. You should also insure that equipment will not be damaged or made unsafe by the operating or maintenance method you choose.

Other standards govern the use of fuel gasses and heat producing products in specific applications. Your local authority can advise you of these.

You must provide the propane gas and cylinder(s). Use this heater only with a propane vapor withdrawal supply system. Refer to Chapter 5 of the Standard for Storage and Handling of Liquefied Petroleum Gas , ANSI/NFPA 58. Your local library or fire department will have this booklet.

 **NEVER LEAVE HEATER UNATTENDED WHILE BURNING OR WHILE CONNECTED TO A FUEL SOURCE.**

### IMPORTANT SAFETY INFORMATION

1. Children should be kept away.
2. Always maintain proper clearance from combustible materials.
3. Minimum clearance should be: Sides - 3' Top - 5' Front - 5' Rear - 3'
4. Heater must be placed on level and solid footing.
5. Never place anything, including clothes or other flammable items on heater.
6. Do not modify heater, or operate a heater that has been modified.
7. Never use heater in occupied dwellings.
8. Never use heater in a tent.
9. Be sure that all guards are replaced before use.
10. For outdoor use, and indoor use only in well ventilated areas. For this heater, provide a minimum of 48 square inches of open space by opening a window or door to provide fresh, outside air. For additional heaters, provide more ventilation.
11. Service and repair should be performed by a qualified service person. The heater should be inspected before each use, and at least annually by a qualified person. More frequent cleaning may be required as necessary. Do not service heater while hot or operating.
12. Never connect heater to an unregulated gas supply.
13. Before connecting the heater to the propane cylinder, make sure that the heater regulator knob is in the "OFF" position.
14. NEVER handle an operating or hot heater, as severe burns may result. Wing nuts and burner heads become very hot during operation. Do not attempt to adjust burner position while heater is operating. Always allow at least 15 minutes of cooling time before handling the heater.
15. This heater is shipped from the factory for use with LP (propane) gas only. Do not convert to any other gas. Installation must conform to local codes, or in their absence, with the standard for the Storage and Handling of Liquefied Petroleum Gases ANSI/NFPA 58.
16. Be sure that all guards are replaced before use.
17. Do not use this heater on LP gas cylinders larger than 20 lbs. capacity

## GENERAL SAFETY INFORMATION

18. Gas supply connections should be checked by using a 50/50 soap and water solution. Never use a flame to check for gas leaks.
19. Keep heater area free from combustible materials such as gasoline, paint thinners and other flammable vapors and liquids. Dust is combustible. Do not use heater in areas of high dust concentration.
20. Do not restrict air inlet or outlet areas of the heater.
21. Always attach the heater in an upright (vertical) position. Never attach the heater in a horizontal position. This will lead to dangerous and improper operation.
22. Operate heater in a manner that will not directly expose it to water, rain or dripping water.
23. Always disconnect and remove the heater from the LP cylinder after use.

## PROPANE (LP) SUPPLY

1. You must provide the propane gas cylinder(s). Use this heater only with a propane vapor withdrawal supply system. Refer to Chapter 5 of the Standard for Storage and Handling of Liquefied Petroleum Gas , ANSI/ NFPA 58. Your local library or fire department will have this booklet.
2. LP Characteristics; Flammable, explosive under pressure, heavier than air, and pools in low areas.
3. In its natural state, propane has no odor, but for your safety an odorant that smells like rotten cabbage has been added.
4. Contact of propane (LP) gas with the skin can cause freeze burns.
5. Heater is manufactured for use with LP gas only. DO NOT attempt to convert to any other gas. Such modifications are dangerous, and will void warranty.
6. When heater is not in use, LP cylinder must be turned OFF.
7. Be sure that the LP cylinder is located on a level and stable surface. The burner should be at least 24 inches from the floor.
8. Do not use this heater in a basement or below ground level. Propane (LP) is heavier than air, and will always seek the lowest level. If you suspect a leak, shut off the valve at the LP cylinder immediately.
9. Do not use a flame to check for leaks! Use a 50/50 solution of dish soap and water to check for leaks. Repair any leaks before attempting to re-light the heater.
10. Check the "O" ring on the heater inlet fuel connector for damage before each use. Replace if damaged or worn.
11. Always store the LP cylinder outdoors, but not in an enclosed area. Never store the LP cylinder near high heat, direct sunlight or open flames. Never store the LP cylinder indoors.
12. The amount of LP gas used by this heater varies. The two factors that will determine this are as follows:
  1. The amount of gas in the cylinder.
  2. The temperature of the cylinder and surrounding area.

 **WARNING: EXTREMELY HOT DURING OPERATION. DO NOT TOUCH ANY METAL COMPONENTS WHILE IN OPERATION. KEEP GASOLINE AND ANY OTHER FLAMMABLE LIQUIDS AWAY FROM HEATER.**

 **NEVER LEAVE HEATER UNATTENDED WHILE BURNING OR WHILE CONNECTED TO A FUEL SOURCE.**

 **DO NOT DIRECT HEATER DISCHARGE TOWARDS ANY PROPANE CYLINDER LOCATED WITHIN 20 FEET OF THE HEATER.**

# ASSEMBLY

## VENTILATION

For this heater, provide a minimum of 48 square inches of space by opening a window or door to provide fresh, outside air. For additional heaters, provide more ventilation. Provide at least 3 square feet of opening for ventilation per 100,000 Btu of rated operation.

## ASSEMBLY

*Note: Tools required: Medium phillips screwdriver*

1. Place Tank Collar Bracket on top of Center Plate. Be sure Mounting Bolt Knob is on bottom as shown.
2. Insert Machine Screw into top hole using Phillips screwdriver.
3. Insert 2nd Machine screw into bottom hole. This will secure the Tank Collar Bracket to the Center Plate.

**⚠ NEVER LEAVE HEATER UNATTENDED WHILE BURNING OR WHILE CONNECTED TO A FUEL SOURCE.**

## CONNECTING HEATER TO LP CYLINDER

Be sure to read and understand all of the Safety Information in this manual before connecting the heater to the LP cylinder.

### SINGLE BURNER MODELS ONLY

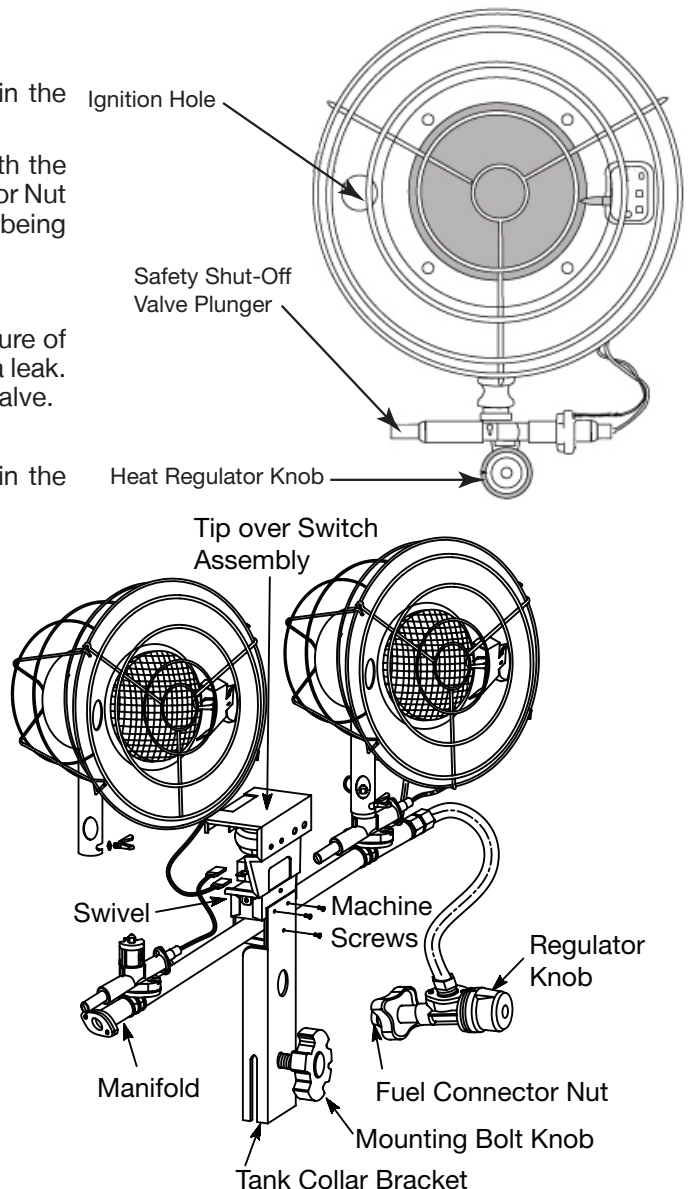
1. Be sure that the control knob on the regulator is in the "OFF" position.
2. Line up the threads on the Fuel Connector Nut with the threads on the LP cylinder valve. Turn Fuel Connector Nut counterclockwise to tighten. Fully tighten the nut, being careful not to overtighten.
3. Slowly open the LP cylinder valve.
4. Check all connections for leaks using a 50/50 mixture of dishsoap and water. Any bubbles appearing show a leak. Remove and reconnect the Connector Nut to the valve.

### DOUBLE BURNER MODELS ONLY

1. Be sure that the control knob on the regulator is in the "OFF" position.
2. Line up the slots in the tank collar bracket with the tank collar ring and slide into place. Be sure the mounting knob is to the outside, and tighten.
3. Line up the threads on the Fuel Connector Nut with the threads on the LP cylinder valve. Turn Fuel Connector Nut counterclockwise to tighten. Fully tighten the nut, being careful not to overtighten.
4. Slowly open the LP cylinder valve.
5. Check all connections for leaks using a 50/50 mixture of dishsoap and water. Any bubbles appearing show a leak. Remove and reconnect the Connector Nut to the valve.

**⚠ BE SURE TO READ AND UNDERSTAND ALL OF THE SAFETY INFORMATION IN THIS MANUAL BEFORE LIGHTING THIS HEATER.**

**⚠ HEATER HAS HIGH SURFACE TEMPERATURES. BE SURE TO KEEP CHILDREN, PETS AND CLOTHING AWAY FROM THE HEATER. BE SURE TO KEEP BURNER AND HEATER REGULATOR CLEAN AND FREE FROM ANY DEBRIS. MAINTAIN SAFE DISTANCES FROM HEATER AS SHOWN.**



## OPERATION

### LIGHTING INSTRUCTIONS

#### MATCH LIGHT MODELS

**⚠ ALWAYS STAND TO THE SIDE OR REAR OF THE HEATER.**

**⚠ ALWAYS KEEP FACE AND OTHER BODY PARTS AWAY FROM THE HEATER.**

1. STOP! Be sure to read all of the Safety Instructions.
2. Check that the valve on the propane cylinder is open.
3. Turn the Heater Regulator Knob clockwise to the "OFF" position.
4. Wait five (5) minutes for any gas to clear. Smell for gas around the heater, including near the floor. If you do smell gas, STOP! Follow the Safety Instructions, and check for leaks. If there is no gas smell proceed to the next step.

**⚠ WARNING: NEVER USE A FLAME TO CHECK FOR LEAKS.**

5. Turn the regulator knob COUNTERCLOCKWISE to the "HI" position.

*NOTE: When the heater is first connected to the gas supply, the plunger should be depressed for approximately thirty (30) seconds to bleed any air from the hose, and release plunger.*

6. Insert a lit match into the ignition hole in the reflector.
7. Press the safety shut-off valve plunger for five (5) seconds.
8. Mesh burner will light and glow red.

**⚠ CAUTION: DO NOT INSERT THE LIT MATCH INTO THE AIR INLET HOLES IN THE MIXING TUBE.**

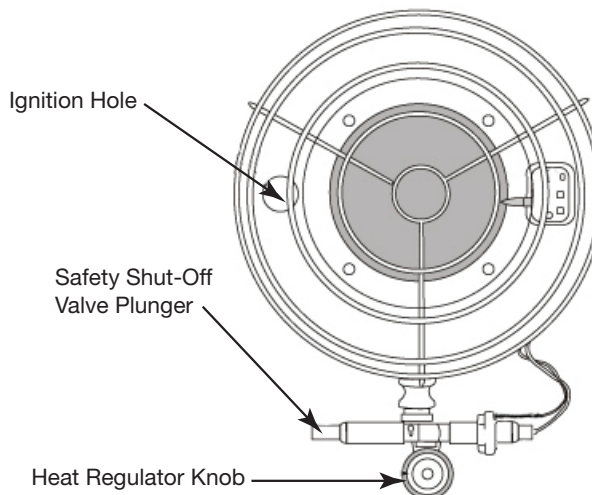
**⚠ WARNING: NEVER LOOK OVER THE TOP OF THE HEATER (REFLECTOR). THERE IS A POTENTIAL FOR A SMALL FLASH OF FLAME DURING IGNITION THAT CAN CAUSE SERIOUS BODILY INJURY. ALWAYS STAND TO THE SIDE OR REAR OF THE HEATER DURING IGNITION. DO NOT ALLOW ANY BODY PART TO TOUCH THE HEATER OR BE IN FRONT OF THE HEATER DURING IGNITION.**

9. Once lit, keep the plunger depressed for thirty (30) seconds. Then release the plunger, and if the burner stays lit, remove and extinguish the match. You will know that the burner is lit when the mesh screen begins to glow red.
10. If the burner does not stay lit, repeat the lighting process. If the heater does not light after several attempts, be sure you are getting fuel to the burner. The faint smell of gas will tell you if the fuel is flowing. If not, there may be a problem with your LP cylinder. Take it back to your local dealer for replacement.
11. Once the burner is lit, turn Regulator Control Knob to desired setting (HI) / (MED) / (LO).
12. Light all burners when maximum heat is desired. Follow Lighting Instructions steps 1-11. The second and third burner should be lit separately. Do Not Attempt to light second burner off the first burner. Be sure NOT to point burners at one another.

#### TO TURN OFF HEATER

1. Turn the valve on the LP cylinder clockwise to stop the flow of fuel.
2. Turn the Heater Regulator Knob to the "OFF" position, and wait at least fifteen (15) minutes for the heater to cool.
3. Tightly close the gas shutoff valve on the LP cylinder after each use.
4. Remove the heater from the LP cylinder by reversing the steps in Connecting Heater to LP Cylinder. Do not store the LP cylinder with the heater still attached, or in an enclosed area.

**⚠ NEVER LEAVE HEATER UNATTENDED WHILE BURNING OR WHILE CONNECTED TO A FUEL SOURCE.**



## MAINTENANCE

### MAINTENANCE AND STORAGE

1. Inspect your heater before each use. Check all connections for leaks, following the procedure outlined on Pages 4 and 5. Check the Regulator Hose (dual burner models only) for any cracks, breaks or wear. If the hose is damaged replace it with the correct manufacturers part.
2. After use, always disconnect the heater from the LP cylinder, and store the heater separately from the tank. Be sure to close the tank valve after use, and before storage. The LP cylinder should be stored outdoors in accordance with chapter 5 of the Standard for Storage and Handling of Liquefied Petroleum Gasses (ANSI/INFPFA 58).



**CAUTION: ALWAYS KEEP THIS HEATER OUT OF THE REACH OF CHILDREN.**



**NEVER LEAVE HEATER UNATTENDED WHILE BURNING OR WHILE CONNECTED TO A FUEL SOURCE.**



## STATEMENT OF WARRANTY

Mi-T-M warrants this heater to the original retail purchaser only, to be free from defects in material and workmanship for a period of

one (1) year from the date of initial purchase.

This product must be properly installed, maintained and operated in accordance with the instructions provided. Mi-T-M requires reasonable proof of your date of purchase from an authorized retailer or distributor. Therefore, you should keep your sales slip, invoice, or cancelled check from the original purchase.

### EXCLUSIONS

1. This Limited Warranty shall be limited to the repair or replacement of parts, which prove defective Mi-T-M shall determine at its reasonable discretion. This warranty does not include wear items: filters, vanes, nozzles, and rotors.
2. This Limited Warranty does not cover any failures or operating difficulties due to normal wear and tear, accident, abuse, misuse, alteration, misapplication, improper installation or improper maintenance and service by you or any third party. Failure to perform normal and routine maintenance on the heater, shipping damage, damage related to insects, birds, or animals of any kind, and damage due to weather conditions are also not covered.
3. In addition, the Limited Warranty does not cover damage to the finish, such as scratches, dents, discoloration, rust or other weather damage, after purchase.

All transportation costs for the return of the damaged product or parts will be the responsibility of the purchaser. Upon receipt of damaged item, Mi-T-M will examine the item and determine if defective. Mi-T-M will repair or replace and return the item, freight pre-paid. If Mi-T-M finds the item to be in normal operating condition, or not defective, the item will be returned freight collect.

This Limited Warranty is in lieu of all other express warranties. Mi-T-M disclaims all warranties for products that are purchased from sellers other than authorized retailers or distributors.

AFTER THE PERIOD OF THE ONE (1) YEAR EXPRESS WARRANTY EXPIRES, Mi-T-M DISCLAIMS ANY AND ALL IMPLIED WARRANTIES, INCLUDING WITHOUT LIMITATION THE IMPLIED WARRANTIES OF MERCHANTABILITY AND FITNESS FOR A PARTICULAR APPLICATION. FURTHER, Mi-T-M SHALL HAVE NO LIABILITY WHATSOEVER TO PURCHASER OR ANY THIRD PARTY FOR ANY SPECIAL, INDIRECT, PUNITIVE, INCIDENTAL, OR CONSEQUENTIAL DAMAGES.

Mi-T-M assumes no responsibility for any defects caused by third parties. This Limited Warranty gives the purchaser specific legal rights; a purchaser may have other rights depending upon where he or she lives. Some states do not allow the exclusion or limitation of special, incidental or consequential damages, or limitations on how long a warranty lasts, so the above exclusion and limitations may not apply to you. Mi-T-M does not authorize any person or company to assume for it any other obligation or liability in connection with the sale, installation, use, removal, return, or replacement of its equipment, and no such representations are binding on Mi-T-M. Always be sure to specify model number and serial number when making any claim with Mi-T-M.


**For Service or Warranty Consideration, contact  
Mi-T-M® Corporation, 8650 Enterprise Drive, Peosta, IA 52068  
563-556-7484 / 800-553-9053 / Fax 563-556-1235  
Monday - Friday 8:00 a.m. - 5:00 p.m. CST**



## TABLE OF CONTENTS


INTRODUCTION .....	16
IMPORTANT!.....	16
IMPORTANTES CONSIGNES DE SECURITE .....	17
CARACTÉRISTIQUES .....	21
SPÉCIFICATIONS .....	21
CONSIGNES GÉNÉRALES DE SÉCURITÉ .....	22
ASSEMBLAGE .....	24
FONCTIONNEMENT.....	25
ENTRETIEN.....	26
BON DE GARANTIE .....	27

 **POUR UNE UTILISATION EXTERIEURE. UNE UTILISATION INTERIEURE EST PERMIS UNIQUEMENT POUR LE CHAUFFAGE TEMPORAIRE DE BATIMENTS OU STRUCTURES SOUS CONSTRUCTION SUFFISAMMENT AERES.**

 **AVERTISSEMENT DE SÉCURITÉ GÉNÉRAL: LE FAIT DE NE PAS RESPECTER LES PRÉCAUTIONS ET LES INSTRUCTIONS FOURNIES AVEC CET APPAREIL DE CHAUFFAGE PEUT RÉSULTER EN DES DOMMAGES CORPORELS MORTELS OU SÉRIEUX, UNE PERTE DE PROPRIÉTÉ OU DES DOMMAGES DUS À UN INCENDIE, UNE EXPLOSION, DES BRÛLURES, L'ASPHYXIE, L'EMPOISONNEMENT À L'OXYDE DE CARBONE ET/OU UN CHOC ÉLECTRIQUE.**

**SEULES LES PERSONNES QUI PEUVENT LIRE ET COMPRENDRE CES INSTRUCTIONS DOIVENT UTILISER OU ENTREtenir CET APPAREIL DE CHAUFFAGE.**

**CONTACTER LE FABRICANT SI VOUS AVEZ BESOIN D'AIDE OU DE RENSEIGNEMENTS CONCERNANT LE CHAUFFAGE TELS QU'UN MANUEL DE L'OPERATEUR, UNE ETIQUETTE, ETC.**

 **AVERTISSEMENT: RISQUE D'INCENDIE, DE BRÛLURES, D'INHALATION ET D'EXPLOSION. MAINTENIR LES MATÉRIAUX COMBUSTIBLES SOLIDES, TELS QUE LES MATÉRIAUX DE CONSTRUCTION, LE PAPIER OU LE CARTON À UNE DISTANCE RESPECTUEUSE DE L'APPAREIL DE CHAUFFAGE TEL QU'IL EST RECOMMANDÉ DANS LES INSTRUCTIONS. NE JAMAIS SE SERVIR DE L'APPAREIL DE CHAUFFAGE DANS DES ENDROITS QUI CONTIENNENT OU QUI PEUVENT CONTENIR DES COMBUSTIBLES VOLATILS OU EN SUSPENSION OU DES PRODUITS TELS QUE L'ESSENCE, LES DISSOLVANTS, LES DILUANTS DE PEINTURE, LES PARTICULES DE POUSSIÈRE OU DES PRODUITS CHIMIQUES INCONNUS.**

 **AVERTISSEMENT: NE PAS UTILISER DANS LES DOMICILES OU LES CAMPING-CARS.**

### **WARNING**

**AVERTISSEMENT:** Ce produit contient du plomb, un produit chimique qui est connu par l'état de Californie comme étant la cause de cancer et de malformations congénitales ou autres effets nocifs de reproduction.  
*Laver vos mains après avoir manipulé ce produit.*

### **AVERTISSEMENT**

Ce produit contient un ou plusieurs produits chimiques qui sont connus par l'état de Californie comme étant la cause de cancer, de défauts de naissance et d'autres problèmes reproductifs.

## INTRODUCTION

Félicitations de l'achat de votre nouveau le chauffage! Vous pouvez être assuré que votre nouveau chauffage soufflant sur bouteille a été construit avec le plus haut niveau de précision et de fiabilité. Chaque composant a été rigoureusement testé par des techniciens pour assurer la qualité, la durabilité et la performance de le chauffage.

Ce manuel opérateur a été dressé pour que vous en retiriez le meilleur parti. Par la lecture et l'application des mesures simples de sécurité, d'installation et d'opération, d'entretien et de dépannage décrites dans ce manuel, votre nouveau le chauffage fonctionnera sans faille pendant de nombreuses années. Le contenu de ce manuel est basé sur la dernière information disponible du produit au moment de la publication. Mi-T-M® se réserve le droit d'effectuer des changements de prix, de couleur, de matériaux, d'équipement, de caractéristiques ou de modèles à tout moment sans communication préalable.



### IMPORTANT!

Les avertissements de sécurité "DANGER, AVERTISSEMENT ou ATTENTION" seront entourés par un "ENCADRE ALERTE SECURITE". Cet encadré est utilisé pour indiquer et souligner les avertissements de sécurité qui doivent être suivis en actionnant ce compresseur d'air. En plus des avertissements de sécurité, des "mots d'alerte" sont utilisés pour indiquer le degré ou niveau de risque. Les "mots d'alerte" utilisés dans ce manuel sont comme suit:

**DANGER: INDIQUE UNE SITUATION AU DANGER IMMINENT QUI, SI ELLE N'EST PAS ÉVITÉE, ENTRAÎNERA LA MORT OU DES BLESSURES GRAVES.**

**AVERTISSEMENT: INDIQUE UNE SITUATION POTENTIELLEMENT DANGEREUSE QUI, SI ELLE N'EST PAS ÉVITÉE, POURRAIT ENTRAÎNER LA MORT OU DES BLESSURES GRAVES.**

**ATTENTION: INDIQUE UNE SITUATION POTENTIELLEMENT DANGEREUSE, QUI, SI ELLE N'EST PAS ÉVITÉE, PEUT ENTRAÎNER DES BLESSURES MINEURES OU PEU GRAVES ET DES DÉGATS AU COMPRESSEUR.**



Les symboles placés à gauche de ce paragraphe sont des "symboles d'alerte de sécurité". Ces symboles sont utilisés pour souligner les points ou les procédures qui pourraient être dangereuses pour vous ou tout autre personne utilisant cet équipement.

Fournissez toujours une copie de ce manuel à toute personne utilisant cet équipement. Lisez toutes les instructions dans ce manuel et toutes instructions fournies par les fabricants d'équipement de support avant d'utiliser ce compresseur d'air et attirer spécialement l'attention aux "Avertissements de Sécurité" pour éviter la possibilité de blessures pour l'utilisateur.

Une fois l'appareil déballé, écrivez immédiatement le numéro de série de votre appareil dans l'espace ci-dessous.

**NUMERO DE SERIE** \_\_\_\_\_

Assurez-vous qu'il n'y a pas de signes de dommages évidents ou cachés suite au transport. En cas de dommage, remplissez immédiatement une réclamation avec la compagnie de transport. Assurez-vous que toutes les pièces endommagées sont remplacées et les problèmes mécaniques et électriques corrigés avant l'utilisation de l'appareil. Si vous avez besoin d'assistance, entrez en contact avec votre service clientèle.




Mi-T-M® Corporation, 8650 Enterprise Drive, Peosta, IA 52068  
563-556-7484 / 800-553-9053 / Fax 563-556-1235  
du lundi au vendredi de 8h00 à 17h, CST (heure centrale)

Veillez avoir les informations suivantes disponibles pour toute intervention:

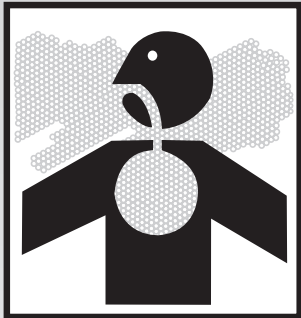
1. Numéro de modèle
2. Numéro de série
3. Date et lieu d'achat




## IMPORTANTES CONSIGNES DE SECURITE

Hazard	Potential Consequence	Prevention
<p><b>RISQUES D'INCENDIE ET D'EXPLOSION</b></p>  	<p>Des étincelles électriques dans le moteur et l'interrupteur de pression peuvent être la cause de blessures graves ou la mort.</p> <p>Des blessures graves peuvent survenir si la prise ou la sortie d'air du chauffage est obstruée..</p> <p>Des blessures graves, voire la mort, peuvent survenir si le bon carburant n'est pas utilisé ou si le chauffage fonctionne durant le ravitaillement.</p> <p>Toujours placer le chauffage sur une surface stable et plane à l'écart des enfants et des animaux.</p>	<p>N'utiliser ce chauffage que dans un endroit bien ventilé libre de vapeurs inflammables, de poussière combustible ou de toute autre matière combustible.</p> <p>Ne jamais placer d'objets devant la prise d'air (à l'arrière) ou la sortie d'air(à l'avant). N'utiliser jamais de système de canalisation d'air à l'avant ou à l'arrière du chauffage. Eloigner du chauffage toutes les matières combustibles</p> <p><b>NE JAMAIS</b> bouger ou manipuler le chauffage lorsqu'il est encore chaud.</p> <p>L'entreposage de carburant en gros doit être maintenu à une distance d'un minimum de 25 pieds (7m60) des chauffages, torches, groupes électrogènes portables ou toutes autres sources d'inflammation. Tout entreposage de carburant doit être conforme aux réglementations des autorités locales, d'état ou fédérale ayant juridiction.</p> <p><b>NE JAMAIS</b> bouger ou manipuler le chauffage lorsqu'il est encore chaud.</p> <p><b>TOUJOURS</b> placer le chauffage sur une surface stable et plane. <b>TOUJOURS</b> maintenir les enfants et les animaux à l'écart du chauffage</p>
<p><b>RISQUE DE BRULURES</b></p> 	<p>Le fait de toucher les surfaces de métal exposées peut causer de graves blessure. Ces surfaces peuvent rester chaudes pendant un certain temps après l'arrêt du chauffage.</p>	<p>Le fait de toucher les surfaces de métal exposées peut causer de graves blessure. Ces surfaces peuvent rester chaudes pendant un certain temps après l'arrêt du chauffage.</p>

## IMPORTANTES CONSIGNES DE SECURITE

Hazard	Potential Consequence	Prevention
<p style="text-align: center;"><b>RISQUE DE PROBLEME RESPIRATOIRE</b></p> 	<p>Des blessures graves, voire la mort peuvent survenir si une bonne ventilation n'est pas fournie selon les consignes de ce manuel.</p>	<p>Ce chauffage est un appareil de chauffage au gaz naturel pulsé et à feu direct. Il est principalement conçu pour fournir un chauffage temporaire pour les bâtiments en construction, sous transformations ou en réparations. Chauffage à feu direct signifie que tous les produits de combustion de l'appareil de chauffage entrent dans l'espace chauffé. Cet appareil a une efficacité de combustion de 98 %, mais produit une petite quantité d'oxyde de carbone. L'oxyde de carbone est toxique. Les humains peuvent tolérer de petites quantités d'oxyde de carbone et des précautions doivent être prises pour fournir une ventilation appropriée. Le fait de ne pas fournir une ventilation appropriée selon ce manuel peut aboutir à la mort.</p> <p>Intoxication à l'oxyde de carbone: Les premiers signes de l'intoxication à l'oxyde de carbone ressemblent aux symptômes de la grippe tels que des maux de tête, des étourdissements, et/ou la nausée. Il est possible que votre chauffage ne marche pas correctement si vous éprouvez ces symptômes.</p> <p><b>POUR UNE UTILISATION EXTERIEURE. UNE UTILISATION INTERIEURE EST PERMIS UNIQUEMENT POUR:</b> Le chauffage temporaire de bâtiments ou structures suffisamment aérés sous construction, transformation ou réparation! Assurer au moins trois pieds carrés (2,800 cm carrés) d'ouverture d'air frais pour chaque 100,000 BTU/heure de puissance de sortie du chauffage.</p> <p>Les personnes avec des problèmes de respiration doivent consulter un médecin avant d'utiliser ce chauffage.</p> <p>Intoxication à l'oxyde de carbone: Les premiers signes de l'intoxication à l'oxyde de carbone ressemblent aux symptômes de la grippe tels que des maux de tête, des étourdissements, et/ou la nausée. Il est possible que votre chauffage ne marche pas correctement si vous éprouvez ces symptômes.</p> <p>Obtenir de l'air frais immédiatement ! Faire entretenir le chauffage. Certaines personnes sont plus atteintes par l'oxyde de carbone que les autres. Ceci inclut les femmes enceintes, les personnes avec des problèmes de cœur ou de poumon, celles sous l'influence d'alcool ou en haute altitude.</p> <p>Ne jamais utiliser ce chauffage dans les espaces d'habitation ou dans les pièces où l'on dort.</p>

## IMPORTANTES CONSIGNES DE SECURITE

 **RISQUE D'INCENDIE, DE BRÛLURE, D'INHALATION ET D'EXPLOSION. GARDER LES COMBUSTIBLES SOLIDES, COMME LES MATÉRIAUX DE CONSTRUCTION, LE PAPIER OU LE CARTON, À UNE DISTANCE SÉCURITAIRE DU CHAUFFAGE, SELON LES RECOMMANDATIONS DE CE MANUEL. NE JAMAIS UTILISER LE CHAUFFAGE DANS DES ENDROITS QUI CONTIENNENT OU POURRAIENT CONTENIR DES MATIÈRES COMBUSTIBLES VOLATILES OU EN SUSPENSION DANS L'AIR, OU ENCORE DES PRODUITS COMME DE L'ESSENCE, DES SOLVANTS, DES DILUANTS À PEINTURE, DES PARTICULES DE POUSSIÈRE OU DES PRODUITS CHIMIQUES INCONNUS..**

Si les informations contenues dans ce manuel ne sont pas suivies à la lettre, un incendie ou une explosion peuvent survenir et causer des dommages matériels, des blessures ou la mort.

- Ne pas entreposer ni utiliser d'essence ou d'autres vapeurs ou liquides inflammables à proximité de ce chauffage ou de tout autre appareil.

- Une bouteille de GPL (gaz propane liquide) qui n'est pas raccordée pour être utilisée ne doit pas être entreposée à proximité de cet appareil ou de tout autre appareil.

- **QUE FAIRE SI UNE ODEUR DE GAZ EST PRÉSENTE :**

- **NE PAS** tenter d'allumer le chauffage

- Éteindre toute flamme nue

- Couper l'alimentation en gaz vers le chauffage


- Si l'odeur persiste, contacter votre fournisseur de gaz local où le service des incendies.


- Ne toucher à aucun interrupteur électrique et n'utiliser aucun téléphone dans votre édifice.

- Appeler immédiatement votre fournisseur de gaz à partir du téléphone d'un voisin. Suivre les instructions du fournisseur de gaz.

- Si le fournisseur de gaz ne peut être rejoint appeler le service des incendies.

- La réparation doit être effectuée par une agence de service qualifiée ou par le fournisseur de gaz.

 **L'ÉTAT DE CALIFORNIE EXIGE D'APPOSER L'AVERTISSEMENT SUIVANT (PROPOSITION 65) : LES SOUS-PRODUITS DE COMBUSTION DÉGAGÉS PAR CET APPAREIL CONTIENNENT DU MONOXYDE DE CARBONE, UN PRODUIT CHIMIQUE RECONNU PAR L'ÉTAT DE CALIFORNIE POUR CAUSER LE CANCER ET DES ANOMALIES CONGÉNITALES (OU D'AUTRES EFFETS NOCIFS SUR LA REPRODUCTION).**

 **NE PAS UTILISER CE CHAUFFAGE AVANT D'AVOIR LU ET ENTIÈREMENT COMPRIS CES DIRECTIVES DE SÉCURITÉ ET D'UTILISATION. LE FAIT DE NÉGLIGER DE RESPECTER LES PRÉCAUTIONS ET LES INSTRUCTIONS FOURNIES AVEC CE CHAUFFAGE PEUT ENTRAÎNER LA MORT, DES BLESSURES GRAVES, DES PERTES OU DES DOMMAGES MATÉRIELS SUITE AUX RISQUES D'INCENDIE, D'EXPLOSION, DE BRÛLURES, D'ASPHYXIE OU D'EMPOISONNEMENT AU MONOXYDE DE CARBONE. SEULES DES PERSONNES APTES À LIRE ET À COMPRENDRE CES INSTRUCTIONS DOIVENT UTILISER OU ENTREtenir CE CHAUFFAGE.**

 **AVERTISSEMENT: NE JAMAIS LAISSER L'APPAREIL DE CHAUFFAGE SANS SURVEILLANCE LORSQU'IL FONCTIONNE OU LORSQU'IL EST BRANCHÉ À UNE SOURCE D'ALIMENTATION EN CARBURANT OU D'ÉLECTRICITÉ.**

 **POUR UNE UTILISATION EXTERIEURE. UNE UTILISATION INTERIEURE EST PERMIS UNIQUEMENT POUR LE CHAUFFAGE TEMPORAIRE DE BATIMENTS OU STRUCTURES SOUS CONSTRUCTION SUFFISAMMENT AERES.**

 **!GARDER CES INSTRUCTIONS!** 



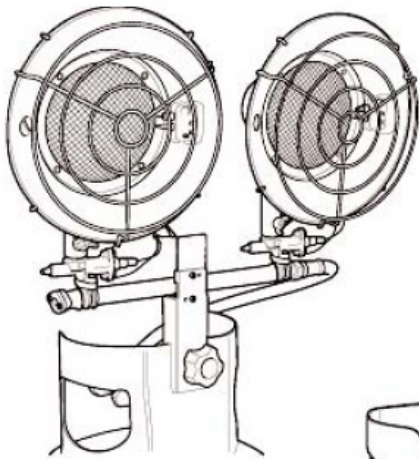
**LES PAGES SUIVANTES CONTIENNENT LES  
CONSIGNES D'UTILISATION ET D'ENTRETIEN.  
NE TENTER PAS DE FAIRE FONCTIONNER CE  
CHAUFFAGE D'AIR AVANT D'AVOIR LU ET  
COMPRIS TOUTES LES PRECAUTIONS ET  
CONSIGNES DE SECURITE CONTENUES DANS  
CE MANUEL.**

**L'UTILISATION INAPPROPRIEE DE CET  
APPAREIL PEUT CAUSER DES BLESSURES  
SERIEUSES!!**

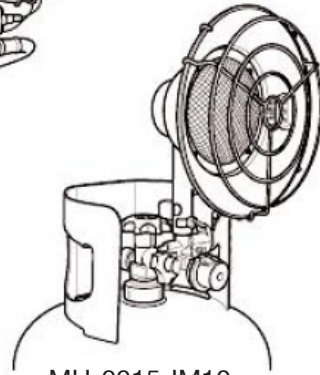
**NE PAS ALTERER OU MODIFIER CET  
EQUIPEMENT EN AUCUNE MANIERE!**

**AVERTISSEMENT: NE JAMAIS LAISSER L'APPAREIL DE CHAUFFAGE  
SANS SURVEILLANCE LORSQU'IL FONCTIONNE OU LORSQU'IL EST  
BRANCHÉ À UNE SOURCE D'ALIMENTATION EN CARBURANT OU  
D'ÉLECTRICITÉ.**

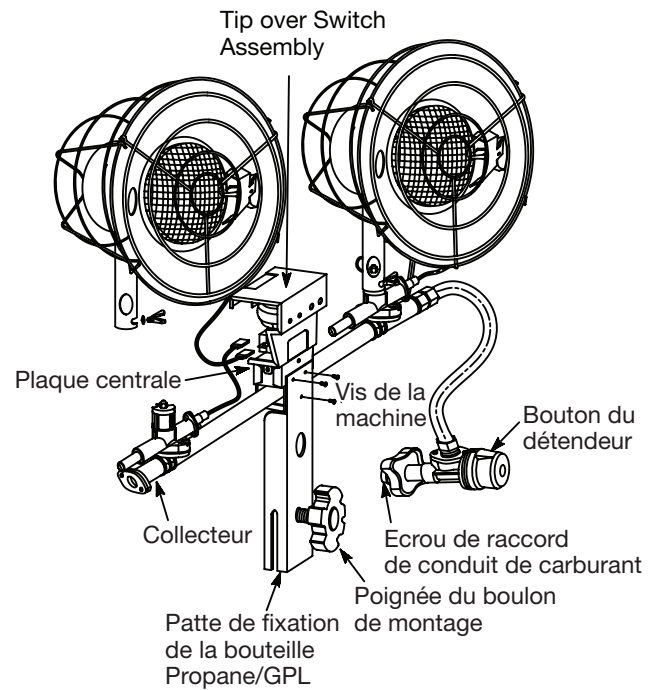
## CARACTÉRISTIQUES



MH-0030-IM10



MH-0015-IM10



## SPÉCIFICATIONS

Modèle	MH-0015-IM10	MH-0030-IM10
Puissance de sortie (BTU/heure)	16,000	32,000
Temps de fonctionnement Bouteille de GPL/Propane de 20 livres (9.07 kg)	27 hrs. on high	14 hrs. on high
Allumage	Allumette	Allumette
Dimensions Lr x P x H cm (po)	21.3 x 18.8 x 30.5 (8.4" x 7.4" x 12.0")	44.5 x 14.0 x 30.5 (17.5" x 5.5" x 12.0")
Poids kg (Lb)	1 kg (2.2)	2.3 kg (5)
La pression régulatrice de sortie	17 PSI	17 PSI

## CONSIGNES GÉNÉRALES DE SÉCURITÉ

**⚠ AVERTISSEMENT: UNE MAUVAISE UTILISATION DE CE CHAUFFAGE PEUT ENTRAÎNER DES BLESSURES GRAVES OU LA MORT SUITE À DES BRÛLURES, UN INCENDIE, UNE EXPLOSION, UNE DÉCHARGE ÉLECTRIQUE ET/OU UNE INTOXICATION À L'OXYDE DE CARBONE.**

**⚠ AVERTISSEMENT: NE PAS UTILISER AVEC UN SYSTEME DE CANALISATION D'AIR.**

**⚠ AVERTISSEMENT: NE PAS UTILISER DANS LES DOMICILES OU LES CAMPING-CARS. L'ASSEMBLAGE DU TUYAU DOIT ÊTRE PROTÉGÉ DE LA CIRCULATION, DES MATÉRIAUX DE CONSTRUCTION ET DE TOUT CONTACT AVEC LES SURFACES CHAUDES PENDANT L'UTILISATION ET LORS DE L'ENTREPOSAGE.**

Important: Lire ce manuel de l'opérateur attentivement et entièrement avant d'essayer de faire fonctionner ou d'entretenir ce chauffage. Une mauvaise utilisation de cet appareil de chauffage peut être la cause de blessures graves, voire la mort, suite à un incendie, une explosion ou une intoxication à l'oxyde de carbone.

Nous ne pouvons pas prévoir toutes les circonstances possibles qui peuvent créer un danger. Les avertissements dans ce manuel et ceux qui sont inscrits sur l'appareil ne sont donc pas exhaustifs. Avant d'utiliser une procédure, une méthode de travail ou une technique de fonctionnement qui n'est pas explicitement recommandée par le fabricant, il faut s'assurer de votre sécurité et de celle des personnes autour de vous. Il faut également s'assurer que l'équipement ne sera pas endommagé et qu'il ne sera pas une source de danger par la méthode de fonctionnement ou d'entretien que vous choisissez.

D'autres normes déterminent l'utilisation des gaz combustibles et des produits de chauffage à utilisations spécifiques. Les autorités locales peuvent vous conseiller à ce sujet.

La ou les bouteilles de GPL doivent être fournies par l'utilisateur. Utiliser ce chauffage uniquement avec un système de retrait de vapeur de propane. Se reporter au chapitre 5 de la norme ANSI/NFPA 58 (Standard for Storage and Handling of Liquefied Petroleum Gas) sur l'entreposage et la manipulation du GPL. Votre bibliothèque municipale ou votre service des incendies possèdent ce livret.

**⚠ AVERTISSEMENT: NE JAMAIS LAISSER L'APPAREIL DE CHAUFFAGE SANS SURVEILLANCE LORSQU'IL FONCTIONNE OU LORSQU'IL EST BRANCHÉ À UNE SOURCE D'ALIMENTATION EN CARBURANT OU D'ÉLECTRICITÉ.**

### IMPORTANTES CONSIGNES DE SECURITE

1. Garder les enfants loin.
2. Toujours maintenir un dégagement adéquat des matériaux combustibles. Le dégagement minimal doit être de : Côtés – 61 cm, Dessus – 91,4 cm, Avant – 183 cm.
4. Placer le chauffage sur une base solide et de niveau.
5. Ne placer aucun objet, y compris des vêtements ou d'autres articles inflammables sur le chauffage.
6. Ne pas modifier le chauffage ou utiliser un chauffage qui a été modifié.
7. NE JAMAIS utiliser le chauffage dans un logement occupé.
8. NE JAMAIS utiliser le chauffage dans une tente.
9. que toutes les protections sont remises en place avant utilisation.
10. Pour utilisation à l'extérieur et seulement dans des endroits bien ventilés en cas d'utilisation à l'intérieur. Pour ce chauffage, prévoir une ouverture minimum de 48 pouces carrés en ouvrant une fenêtre ou une porte pour fournir de l'air frais extérieur. Prévoir plus de ventilation si plus d'appareils de chauffage sont utilisés.
11. L'entretien et les réparations doivent être effectués par du personnel de service qualifié. Ce chauffage doit être inspecté avant chaque utilisation et au moins une fois par année par du personnel qualifié. Un nettoyage plus fréquent peut être requis si nécessaire. Ne pas réparer un chauffage chaud ou qui fonctionne.
12. Ne jamais connecter le chauffage à une alimentation en gaz sans régulation.
13. Avant de raccorder le chauffage à la bouteille de propane, s'assurer que le bouton de réglage du chauffage est à la position fermée « OFF ».
14. NE JAMAIS manipuler ni utiliser un chauffage chaud, car il y a un risque de brûlures graves. Toutes les surfaces exposées peuvent devenir très chaudes pendant le fonctionnement. Toujours laisser le chauffage refroidir pendant au moins 15 minutes avant de le manipuler.
15. Ce chauffage est expédié de l'usine pour être utilisé avec du gaz propane (GPL) seulement. Ne pas convertir vers un quelconque autre gaz. L'installation doit être conforme aux codes locaux, ou en leur absence, avec la norme du Storage and Handling of Liquefied Petroleum Gases ANSI/NFPA 58.

## CONSIGNES GÉNÉRALES DE SÉCURITÉ

16. Ne pas utiliser ce chauffage sur des bouteilles de gaz GPL d'une capacité de plus de 20 livres (9.07 kg).
17. Vérifier l'étanchéité des raccords d'alimentation en gaz en appliquant un mélange en quantité égale d'eau et de savon. Ne jamais utiliser de flamme pour vérifier si une fuite de gaz est présente.
18. Laisser la zone où se trouve le chauffage libre de matériaux combustibles comme l'essence, les diluants à peinture et autres liquides ou vapeurs inflammables. La poussière est combustible. Ne pas utiliser le chauffage dans les endroits soumis à de grandes concentrations de poussière.
19. Ne jamais bloquer la prise ou la sortie d'air de ce chauffage.
20. Toujours attacher ce chauffage dans une position droite (verticale). Ne jamais attacher ce chauffage dans une position horizontale. Ceci mènerait à une utilisation incorrecte et dangereuse.
21. Faire fonctionner le chauffage de façon qu'il ne soit pas directement exposé à de l'eau, à la pluie ou à de l'eau qui s'égoutte.
22. Toujours débrancher et enlever du chauffage après son utilisation.

### ALIMENTATION EN GAZ PROPANE

1. La ou les bouteilles de GPL doivent être fournies par l'utilisateur. Utiliser ce chauffage uniquement avec un système de retrait de vapeur de propane. Se reporter au chapitre 5 de la norme ANSI/NFPA 58 (Standard for Storage and Handling of Liquefied Petroleum Gas) sur l'entreposage et la manipulation du GPL. Votre bibliothèque municipale ou votre service des incendies possèdent ce livret.
2. Caractéristique du GPL - Inflammable, explosif lorsque sous pression, plus lourd que l'air et s'accumule au ras du sol.
3. Dans son état naturel, le propane n'a aucune odeur, mais pour votre sécurité une odeur de chou pourri a été ajoutée.
4. Un contact du pétrole liquide avec la peau peut causer des brûlures par le froid.
5. Le chauffage est fabriqué pour utiliser du GPL seulement. NE PAS tenter de le convertir vers un quelconque autre gaz. De telles modifications sont dangereuses et annulent la garantie.
6. Lorsque le chauffage n'est pas utilisé, l'alimentation en GPL doit être COUPÉE.
7. S'assurer que la bouteille de GPL est placée sur une surface stable et de niveau.
8. Ne pas utiliser le chauffage dans un sous-sol ou plus bas que le niveau du sol. Le propane est plus lourd que l'air et cherche toujours à s'accumuler au niveau le plus bas. Si l'on soupçonne une fuite, fermer immédiatement le robinet au niveau de la bouteille de propane.
9. Ne pas utiliser de flamme pour vérifier la présence de fuites! Utiliser une solution 50/50 de savon à vaisselle et d'eau pour vérifier la présence de fuites. Réparer toute fuite avant de tenter de rallumer le chauffage.
10. Avant chaque utilisation, vérifier que le joint torique sur le connecteur d'alimentation en gaz du chauffage n'est pas endommagé. Le remplacer s'il est endommagé ou usé.
11. Ranger toujours la bouteille de gaz GPL/Propane à l'extérieur mais pas dans un espace clos. Ne jamais ranger la bouteille de gaz GPL/Propane près d'une source de forte chaleur, d'une flamme à feu ouvert ou en plein soleil. Ne jamais ranger la bouteille de gaz propane/GPL à l'intérieur.
12. La quantité de gaz GPL utilisée par ce chauffage varie. Les deux points qui déterminent cette quantité sont les suivants:
  1. La quantité de gaz dans la bouteille.
  2. La température de la bouteille et des environs.



**EXTRÊMEMENT CHAUD PENDANT LE FONCTIONNEMENT. NE TOUCHER À AUCUN COMPOSANT EN MÉTAL PENDANT LE FONCTIONNEMENT. GARDER L'ESSENCE ET TOUT AUTRE LIQUIDE INFLAMMABLE LOIN DU CHAUFFAGE.**



**AVERTISSEMENT: NE JAMAIS LAISSER L'APPAREIL DE CHAUFFAGE SANS SURVEILLANCE LORSQU'IL FONCTIONNE OU LORSQU'IL EST BRANCHÉ À UNE SOURCE D'ALIMENTATION EN CARBURANT OU D'ÉLECTRICITÉ.**



**NE PAS REJETER CHAUFFE DIRECTE ENVERS TOUTE BOUTEILLE DE PROPANE SITUÉ À 20 PIEDS DE L'APPAREIL.**



# ASSEMBLAGE

## VENTILATION

Pour ce chauffage, prévoir une ouverture minimum de 48 pouces carrés en ouvrant une fenêtre ou une porte pour fournir de l'air frais extérieur. Prévoir plus de ventilation si plus d'appareils de chauffage sont utilisés. Prévoir une ouverture de ventilation d'au moins 3 pieds carrés (2,800 cm<sup>2</sup>) pour chaque 100,000 BTU/heure de puissance.

## ASSEMBLAGE

*Note: Outil nécessaire: un tournevis à pointe cruciforme moyenne (Phillips).*

1. Placer la patte de fixation du réservoir sur le dessus de la plaque centrale. S'assurer que la poignée du boulon de montage est en bas comme illustré.
2. Insérer la vis de la machine dans le trou supérieur en utilisant un tournevis à pointe cruciforme.
3. Insérer la deuxième vis de machine dans le trou du bas. Ceci fixe la patte de fixation du réservoir à la plaque centrale.

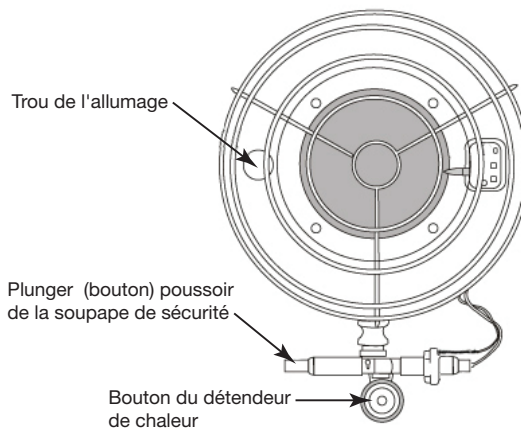
**⚠ AVERTISSEMENT: NE JAMAIS LAISSER L'APPAREIL DE CHAUFFAGE SANS SURVEILLANCE LORSQU'IL FONCTIONNE OU LORSQU'IL EST BRANCHÉ À UNE SOURCE D'ALIMENTATION EN CARBURANT OU D'ÉLECTRICITÉ.**

## RACCORDER LE CHAUFFAGE À LA BOUTEILLE DE GAZ GPL.

Bien lire et comprendre toutes les consignes de sécurité contenues dans ce manuel avant de raccorder le chauffage à la bouteille de gaz GPL/Propane.

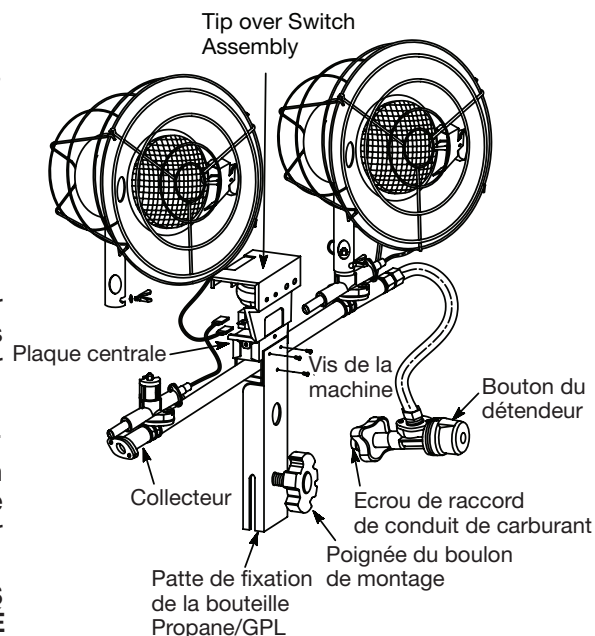
### MODÈLES À UN BRÛLEUR

1. S'assurer que le bouton de commande sur le détendeur est en position d'arrêt (OFF).
2. Aligner le filetage de l'écrou du raccord de conduit de carburant avec le filetage sur le robinet de la bouteille de GPL. Tourner l'écrou du raccord de conduit de carburant dans le sens inverse des aiguilles d'une montre pour serrer. Bien serrer l'écrou en faisant attention de ne pas trop le serrer.
3. Ouvrir lentement le robinet de la bouteille GPL/Propane.
4. Appliquer un mélange en quantité égale d'eau et de savon vaisselle à tous les raccords pour vérifier l'absence de fuites. Si des bulles apparaissent, il y a une fuite. Retirer et raccorder l'écrou de raccord au robinet.



### MODÈLES À DEUX BRÛLEURS

1. S'assurer que le bouton de commande sur le détendeur est en position d'arrêt (OFF).
2. Aligner les rainures sur la patte de fixation de la bouteille GPL/Propane avec le bouton de fixation de la bouteille GPL/Propane et faire glisser en place. S'assurer que la poignée de montage est vers l'extérieur puis serrer.
3. Aligner le filetage sur l'écrou du raccord de carburant avec le filetage sur le robinet de la bouteille GPL. Tourner l'écrou du raccord de conduit de carburant dans le sens inverse des aiguilles d'une montre pour serrer. Bien serrer l'écrou en faisant attention de ne pas trop le serrer.
4. Ouvrir lentement le robinet de la bouteille GPL/Propane.
5. Appliquer un mélange en quantité égale d'eau et de savon vaisselle à tous les raccords pour vérifier l'absence de fuites. Si des bulles apparaissent, il y a une fuite. Retirer et raccorder l'écrou de raccord au robinet.



**⚠ S'ASSURER DE LIRE ET COMPRENDRE TOUTES LES INFORMATIONS SUR LA SÉCURITÉ INDIQUÉES DANS CE MANUEL AVANT D'ALLUMER CE CHAUFFAGE.**



## FONCTIONNEMENT

**⚠ LE CHAUFFAGE COMPORTE DES SURFACES AYANT UNE TEMPÉRATURE TRÈS ÉLEVÉE. VEILLER À GARDER LES ENFANTS, LES ANIMAUX ET LES VÊTEMENTS LOIN DU CHAUFFAGE. S'ASSURER DE GARDER LE BRÛLEUR ET LE RÉGULATEUR DU CHAUFFAGE PROPRES ET SANS AUCUN DÉBRIS. GARDER LE CHAUFFAGE À UNE DISTANCE SÉCURITAIRE, COMME IL EST ILLUSTRÉ.**

### INSTRUCTIONS D'ALLUMAGE

MODÈLES ALLUMAGE AVEC ALLUMETTE

**⚠ SE PLACER TOUJOURS SUR LE CÔTÉ OU À L'ARRIÈRE DU CHAUFFAGE.**

**⚠ TOUJOURS MAINTENIR LE VISAGE ET AUTRES PARTIES DU CORPS À L'ÉCART DU CHAUFFAGE.**

1. STOP! Bien lire toutes les instructions de sécurité.
2. Vérifier que le robinet de la bouteille de propane/GPL est ouvert.
3. Tourner le bouton du détendeur du chauffage dans le sens des aiguilles d'une montre jusqu'à la position d'arrêt (OFF).
4. Attendre cinq (5) minutes pour évacuer le gaz. Sentir autour du chauffage, y compris près du sol, afin de détecter toute odeur de gaz. Si vous sentez du gaz, STOP! Suivre les consignes de sécurité et vérifier qu'il n'y a pas de fuites. Passer à l'étape suivante s'il n'y a pas d'odeur de gaz.

**⚠ AVERTISSEMENT: NE JAMAIS LAISSER L'APPAREIL DE CHAUFFAGE SANS SURVEILLANCE LORSQU'IL FONCTIONNE OU LORSQU'IL EST BRANCHÉ À UNE SOURCE D'ALIMENTATION EN CARBURANT OU D'ÉLECTRICITÉ.**

**⚠ AVERTISSEMENT: NE JAMAIS UTILISER DE FLAMME POUR VÉRIFIER QU'IL N'Y A PAS DE FUITES.**

5. Tourner le bouton détendeur dans le sens inverse des aiguilles d'une montre jusqu'à la position "HI" (haute).

*NOTE: Lorsque le chauffage est raccordé à l'alimentation en gaz pour la première fois, le bouton poussoir doit être enfoncé pendant environ trente (30) secondes pour purger l'air du tuyau, puis le relâcher.*

6. Insérer une allumette allumée dans le trou d'allumage du réflecteur.
7. Appuyer sur le bouton poussoir de la soupape de sécurité pendant cinq (5) secondes.
8. Le brûleur à mailles s'allume et rougeoit.

**⚠ AVERTISSEMENT: NE PAS INSÉRER UNE ALLUMETTE ALLUMÉE DANS LES TROUS D'ARRIVÉE D'AIR DU TUBE DE MÉLANGE.**

**⚠ AVERTISSEMENT: NE JAMAIS REGARDER AU DESSUS DU CHAUFFAGE PENDANT L'ALLUMAGE. LE CHAUFFAGE PEUT PRODUIRE UNE PETITE BOUFFÉE DE FEU LORS DE L'ALLUMAGE QUI PEUT RÉSULTER EN DES BLESSURES CORPORELLES GRAVES.**

9. Une fois allumé, continuer d'appuyer sur le bouton poussoir pendant trente (30) secondes. Puis, relâcher le bouton poussoir et si le brûleur reste allumé, retirer et éteindre l'allumette. Vous saurez que le brûleur est allumé quand le tamis à mailles commence à luire en rouge.
10. Si le brûleur ne reste pas allumé, répéter les étapes d'allumage. Si le chauffage ne s'allume pas après plusieurs tentatives, s'assurer que le carburant atteint le brûleur. Une légère odeur de gaz vous dira si le carburant coule. En cas contraire, il y a peut-être un problème avec votre bouteille de gaz GPL/Propane. La rapporter chez votre concessionnaire local pour un remplacement.
11. Une fois le brûleur allumé, tourner le bouton de contrôle du détendeur à la position désirée ((HI, MED, LO) (Haute, Moyenne, Basse).
12. Allumer tous les brûleurs lorsque un chauffage maximum est désiré. Suivre les Instructions d'Allumage étapes 1-11. Le premier et deuxième brûleur doivent être allumés séparément. Ne pas essayer d'allumer le second brûleur en utilisant le premier brûleur. Ne PAS diriger les brûleurs l'un vers l'autre.

### POUR ARRÊTER LE CHAUFFAGE

1. Tourner le robinet sur la bouteille de GPL/Propane dans le sens des aiguilles d'une montre pour arrêter l'alimentation en carburant.
2. Tourner le bouton détendeur du chauffage jusqu'à la position d'arrêt (OFF), et attendre que le chauffage refroidisse pendant au moins quinze (15) minutes.
3. Bien fermer le robinet d'arrêt de gaz sur la bouteille de gaz GPL/Propane après chaque utilisation.
4. Retirer le chauffage de la bouteille de gaz GPL/Propane en inversant les étapes de la partie «Raccorder le Chauffage à la bouteille de gaz GPL». Ne pas entreposer le chauffage en le laissant raccordé à la bouteille de gaz GPL, et ne pas le ranger dans un endroit clos.

## ENTRETIEN

### ENTRETIEN ET ENTREPOSAGE

1. Inspecter le chauffage avant chaque utilisation. Vérifier tous les raccords pour y détecter des fuites, en suivant la procédure indiquée. Vérifier le tuyau du régulateur pour y détecter des fissures des brisures ou de l'usure. Si le tuyau est endommagé, le remplacer par une pièce correspondante du fabricant.
2. Après son utilisation, toujours débrancher le chauffage de la bouteille et ranger le chauffage dans un endroit distinct de celui de la bouteille. S'assurer de bien fermer le robinet de la bouteille après son utilisation et avant de l'entreposer. La bouteille doit toujours être entreposée à l'extérieur, en conformité avec le chapitre 5 du Standard for Storage and Handling of Liquefied Petroleum Gases (ANSI/INFP 58) (Norme sur l'entreposage et la manipulation du GPL).



**TOUJOURS PLACER LE CHAUFFAGE SUR UNE SURFACE STABLE ET PLANE À L'ÉCART DES ENFANTS ET DES ANIMAUX.**



**AVERTISSEMENT: NE JAMAIS LAISSER L'APPAREIL DE CHAUFFAGE SANS SURVEILLANCE LORSQU'IL FONCTIONNE OU LORSQU'IL EST BRANCHÉ À UNE SOURCE D'ALIMENTATION EN CARBURANT OU D'ÉLECTRICITÉ.**



## BON DE GARANTIE

Mi-T-M garantit à l'acheteur au détail d'origine seulement que chauffage soufflant sur bouteille sera exempt de défauts de matière et de fabrication pendant une période d'un an à partir de la date de l'achat initial. Ce produit doit être installé, entretenu et utilisé correctement, en conformité avec les instructions fournies.

Mi-T-M exige une preuve raisonnable de la date d'achat chez un détaillant ou un distributeur autorisé. Il vous faut donc conserver votre preuve d'achat, facture ou chèque annulé pour l'achat d'origine. Cette garantie limitée couvre uniquement la réparation ou le remplacement des pièces jugées défectueuses dans des conditions d'utilisation et d'entretien normales pendant la période de garantie et Mi-T-M se réserve le droit de déterminer ceci à sa seule discrétion. Cette garantie ne couvre pas les pièces d'usure: filtres, ailettes, gicleurs et rotors.

Cette garantie limitée ne couvre pas toute défaillance ou difficulté d'utilisation résultant d'un usage normal, d'une usure normale, d'un accident, d'un abus, d'une mauvaise utilisation, d'une altération, d'un mauvais usage, d'une installation inadéquate ou encore d'une réparation ou d'un entretien inadéquats par vous ou par une quelconque tierce partie. Le fait de négliger d'effectuer l'entretien normal et de routine de ce chauffage, les dommages causés lors de l'expédition de l'expédition ou reliés à des insectes, des oiseaux ou des animaux ou encore à tout autre dommage résultant des conditions météorologiques ne sont pas couverts par cette garantie. En outre, cette garantie limitée ne couvre pas les dommages au fini, comme les égratignures, les encoches, la décoloration, la rouille ou d'autres dommages résultant des conditions météorologiques, et survenus après l'achat.

Tous les frais de transport pour le retour de produits ou de pièces endommagés doivent être défrayés par l'acheteur. Sur réception de l'article endommagé, Mi-T-M examinera l'article en question et déterminera s'il est défectueux. Mi-T-M réparera ou remplacera et retournera l'article frais de port payés. Si Mi-T-M détermine que l'article est dans un état d'utilisation normale, ou n'est pas défectueux, il sera retourné fret payable à l'arrivée. Cette garantie limitée remplace toute autre garantie explicite. Mi-T-M renonce à toute garantie de produits achetés de vendeurs autres que des détaillants ou distributeurs autorisés.

APRÈS UNE PÉRIODE D'UN (1) AN CETTE GARANTIE EXPRESSE EXPIRE, Mi-T-M RENONCE À TOUTE GARANTIE IMPLICITE INCLUANT, MAIS SANS S'Y LIMITER, TOUTE GARANTIE IMPLICITE DE QUALITÉ MARCHANDE OU D'ADAPTATION À UN USAGE PARTICULIER. EN OUTRE, Mi-T-M N'EST AUCUNEMENT RESPONSABLE ENVERS L'ACHETEUR OU ENVERS TOUTE TIERCE PARTIE POUR UN QUELCONQUE DOMMAGE INDIRECT, PUNITIF, CONNEXE OU FORTUIT. Mi-T-M n'assume aucune responsabilité pour un quelconque défaut causé par une tierce partie. Cette garantie limitée donne à l'acheteur des droits légaux spécifiques; un acheteur pourrait jouir d'autres droits selon de la juridiction où il réside. Certaines juridictions ne permettent pas l'exclusion ou la limitation des dommages spéciaux, indirects ou fortuits ou des limitations sur la durée d'une garantie; les limitations ci-dessus pourraient donc ne pas s'appliquer à votre cas.

Mi-T-M n'autorise aucune personne ou aucune entreprise à assumer pour elle une quelconque obligation ou responsabilité autre reliée à la vente, l'installation, l'utilisation, l'enlèvement, le retour ou le remplacement de ces équipements et aucune telle représentation ne lie en quelque manière Mi-T-M

Toujours s'assurer de spécifier le numéro de modèle et le numéro de série lors de toute demande à Mi-T-M

Pour service ou considération de garantie, contactez  
Mi-T-M® Corporation, 8650 Enterprise Drive, Peosta, IA 52068  
563-556-7484 / 800-553-9053 / Fax 563-556-1235  
du lundi au vendredi, de 8h00 à 17h00, CST (heure centrale)



## TABLE OF CONTENTS

INTRODUCCION .....	16
ADVERTENCIAS IMPORTANTES DE SEGURIDAD .....	17
IDENTIFICACIÓN DEL PRODUCTO.....	21
ESPECIFICACIONES.....	21
GENERAL SAFETY INFORMATION .....	22
ASAMBLEA.....	24
OPERACIÓN .....	25
MANTENIMIENTO.....	26
GARANTÍA LIMITADA .....	27

**⚠️ PARA USO EN EXTERIORES. USO INTERIOR ESTÁ PERMITIDO SÓLO PARA: LA CALEFACCIÓN TEMPORAL DE EDIFICIOS SUFICIENTEMENTE VENTILADOS O ESTRUCTURAS DE CONSTRUCCIÓN, ALTERACIÓN, O REPARACIÓN.**

**⚠️ ADVERTENCIA GENERAL DE RIESGO: EL FRACASO DE CUMPLIR CON LAS PRECAUCIONES E INSTRUCCIONES PROVEÍDAS CON ESTA CALENTADORA PUEDE CAUSAR LA MUERTE, HERIDOS MUY GRAVES, EL DAÑO O PÉRDIDA DE PROPIEDAD POR LOS RIESGOS DE FUEGO, EXPLOSIÓN, QUEMADURA, ASFIXIA, ENVENENAMIENTO DEL MONÓXIDO DE CARBANO, Y/O CHOQUE ELÉCTRICO.**

**SOLO LAS PERSONAS QUE PUEDEN ENTENDER Y SEGUIR LAS INSTRUCCIONES DEBEN UTILIZAR O MANTENER SERVICIO DE ESTA CALENTADORA.**

**SI NECESITA ASISTENCIA, AYUDA O INFORMACIÓN DE LA CALENTADORA COMO UN MANUAL DE INSTRUCCIONES, ETIQUETA, ETC., SE PONGA EN CONTACTO CON EL FABRICANTE.**

**⚠️ ADVERTENCIA: PELIGRO DE INCENDIO, QUEMADURA, INHALACIÓN Y EXPLOSIÓN. MANTENGA LOS COMBUSTIBLES SÓLIDOS COMO, POR EJEMPLO, MATERIALES DE CONSTRUCCIÓN, PAPEL Y CARTÓN, A UNA DISTANCIA PRUDENCIAL DEL CALENTADOR SEGÚN LO RECOMIENDAN LAS INSTRUCCIONES. NUNCA USE LA CALENTADORA EN ESPACIOS QUE CONTENGAN O PUEDAN CONTENER COMBUSTIBLES VOLÁTILES O EN SUSPENSIÓN EN EL AIRE NI PRODUCTOS COMO, POR EJEMPLO, GASOLINA, DISOLVENTES, SOLVENTES DE PINTURA, PARTÍCULAS DE POLVO O QUÍMICOS DESCONOCIDOS.**

**⚠️ ADVERTENCIA: NO PARA USO EN LA CASA O VEHÍCULO RECREACIONAL**

Esta calentadora está diseñada y aprobada para el uso como una calentadora de construcción de acuerdo con ANSI Z83.7a/CSA2.14a-2007

### **⚠️ WARNING**

**ADVERTENCIA:** Este producto tiene plomo, una sustancia química conocida al Estado de California a causar cáncer y defectos de nacimiento u otro daño reproductivo.

***Lávese las manos después de usar este producto.***

### **⚠️ ADVERTENCIA**

Este producto contiene química conocida por el estado de California a causar cancer, defectos de nacimiento, y otros peligros reproductor.

## INTRODUCCION

¡Felicitaciones por la compra de su nueva compresor de aire eléctrico! Puede estar seguro que su compresor de aire eléctrico fue construida con el nivel más. Cada componente ha sido probado rigurosamente por técnicos para asegurar la calidad, la resistencia y el rendimiento de esta unidad.

Este manual del operador fue compilado para su beneficio. Leyendo y siguiendo los pasos simples de seguridad, instalación, operación, mantenimiento y localización de fallas descritos en este manual ayudará a prolongar aun más la operación libre de fallas que usted puede esperar de su compresor de aire eléctrico. El contenido de este manual está basado en la información actualizada disponible al momento de la publicación. Mi-T-M® se reserva el derecho de efectuar cambios en precio, color, materiales, equipo, especificaciones o modelos en cualquier momento sin previo aviso.

### ¡IMPORTANTE!

Estos párrafos están rodeados por una “CASILLA DE ALERTA DE SEGURIDAD”. Esta casilla se usa par designar y enfatizar las Advertencias de Seguridad que deben seguirse al operar esta lavadora a presión. Acompañando a las Advertencias de Seguridad están las “palabras de alerta” que designan el grado o nivel de seriedad de riesgo. Las “palabras de alerta” usadas en este manual son las siguientes:

**PELIGRO:** Indica una situación inminente riesgosa la cual, si no se evita, RESULTARA en la muerte o en lesiones graves.

**ADVERTENCIA:** Indica una situación potencialmente riesgosa la cual, si no se evita, PODRIA resultar en la muerte o en lesiones graves.

**PRECAUCION:** Indica una situación potencialmente riesgosa la cual, si no se evita PUEDE resultar en lesiones menores o moderadas.



El símbolo indicado a la izquierda de este párrafo es el “Símbolo de Alerta de Seguridad”. Este símbolo se usa para alertarlo acerca de artículos o procedimientos que podrían ser peligrosos para usted u otras personas usando este equipo.

**PROVEA SIEMPRE UNA COPIA DE ESTE MANUAL A CUALQUIER PERSONA QUE USE ESTE EQUIPO. LEA TODAS LAS INSTRUCCIONES ANTES DE OPERAR ESTA LAVADORA A PRESION, OBSERVANDO EN PARTICULAR LAS “ADVERTENCIAS DE SEGURIDAD” PARA EVITAR LA POSIBILIDAD DE LESIONES PERSONALES AL OPERADOR.**

Escriba el número de serie de su unidad en el espacio provisto abajo, una vez que la unidad haya sido desempacada.

**NUMERO DE SERIE** \_\_\_\_\_




Inspeccione por daño el contenido de la caja. Si algo parece dañado, NO LA DEVUELVA AL LUGAR DE COMPRA. Llame a su representante de servicio al cliente de al 800-553-9053.

Por favor tenga disponible la información siguiente para todas las llamadas de servicio:

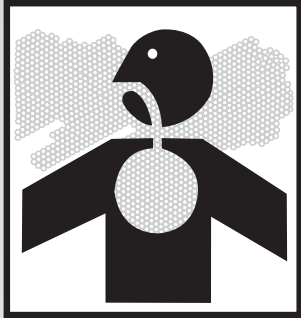
1. Número de modelo
2. Número de serie
3. Fecha y lugar de compra

Mi-T-M® Corporation  
8650 Enterprise Drive  
Peosta, IA 52068-0050

## ADVERTENCIAS IMPORTANTES DE SEGURIDAD


Hazard	Potential Consequence	Prevention
<p><b>RIESGO DE EXPLOSIÓN O DE INCENDIO</b></p> <div style="text-align: center;">     </div>	<p>La herida o la muerte graves pueden ocurrir de chispas eléctricas normales en el interruptor de motor y presión</p> <p>La herida grave puede ocurrir la entrada o salida del aire de la calentadora son bloqueadas.</p> <p>La herida o la muerte graves pueden ocurrir si combustibles impropios son utilizados, si calentadora esta operando al rellenar.</p> <p>La herida grave puede ocurrir si calentadora no está en la superficie nivel y está lejos de contacto con niños y animales.</p>	<p>Siempre opere calentadora en un área bien ventilada libre de vapores inflamables, polvo combustible, los gases u otras materias combustibles..</p> <p>Nunca ponga los objetos enfrente de entrada del aire (trasero) ni salida de aire (frente) de calentadora. Nunca utilice el trabajo de conducto en la frente ni en trasero de calentadora. Mantenga toda materia combustible lejos de esta calentadora.</p> <p>Esta calentadora está <b>MUY CALIENTE</b> mientras en la operación.</p> <p>El almacenamiento del combustible del bulto debe ser un mínimo de 25 Pies de calentadoras, de las antorchas, de generadores portátiles, o de otras fuentes de ignición. Todo almacenamiento del combustible debe ser de acuerdo con federal, el estado, o las administración local que tienen jurisdicción.</p> <p>Nunca movimiento ni maneja calentadora mientras todavía caliente.</p> <p><b>SIEMPRE</b> mantenga la calentadora en una superficie de establo y nivel. <b>SIEMPRE</b> mantenga a niños y animales lejos de calentadora.</p>
<p><b>RIESGO DE QUEMADURAS</b></p> <div style="text-align: center;">  </div>	<p>La herida grave podría ocurrir de tocar partes metálicas expuestas. Estas áreas pueden quedarse caliente durante un tiempo después de que la calentadora sea apagada.</p>	<p>Never allow any part of your body or other materials to make contact with any exposed metal parts on the heater.</p>

## ADVERTENCIAS IMPORTANTES DE SEGURIDAD

Hazard	Potential Consequence	Prevention
<p style="text-align: center;"><b>RISQUE DE PROBLEME RESPIRATOIRE</b></p> <div style="text-align: center;">  </div>	<p>La herida o la muerte graves podrían ocurrir del fracaso para tener ventilación apropiada según este manual.</p>	<p>Éste es un calentador de acción directa. Acción directa significa que todos los productos de la combustión ingresan al espacio que se está calentando. Este calentador tiene una eficiencia de combustión del 98%, pero aun así produce pequeñas cantidades de monóxido de carbono. El monóxido de carbono es tóxico. Los humanos pueden tolerar pequeñas cantidades de monóxido de carbono y, por tanto, deben tomarse las medidas de precaución necesarias para suministrar una ventilación adecuada.</p> <p>Si no se suministra la adecuada ventilación indicada en este manual, se puede ocasionar la muerte. Las primeras etapas de intoxicación por monóxido de carbono producen síntomas similares a los de la gripe. Los síntomas que puede sufrir si la ventilación no es la adecuada son: * dolor de cabeza * mareo * irritación de la nariz y los ojos * náusea * boca seca * irritación de la garganta</p> <p>Para uso en exteriores. uso interior está permitido sólo para: la calefacción temporal de edificios suficientemente ventilados o estructuras de construcción, alteración, o reparación. Proporcione por lo menos una abertura de aire exterior de un metro cuadrado (2,800 cm cuadrados) por cada 100,000 BTU / hr de calificación del calentador.</p> <p>Las personas con problemas de respirar deben consultar a un médico antes de utilizar la calentadora. El Envenenamiento del Monóxido de carbono: Los signos tempranos de envenenamiento de monóxido de carbono se parecen a síntomas que son similares al gripe como dolores de cabeza, al mareo, y/o a la náusea. Si usted tiene estos síntomas, su calentadora no puede estar trabajando apropiadamente.</p> <p>¡Consiga aire fresco inmediatamente! La calentadora necesita atención pronto. Algunas personas son afectadas mas por monóxido de carbono que otros. Estos incluyen a mujeres embarazadas, éstos con problemas del corazón o problemas pulmonares, con la anemia, o con éstos ebrio, o a grandes altitudes. Nunca utilice esta calentadora en áreas de vivienda ni áreas durmientes.</p>



## ADVERTENCIAS IMPORTANTES DE SEGURIDAD


 PELIGRO DE INCENDIO, QUEMADURA, INHALACIÓN Y EXPLOSIÓN. MANTENGA LOS COMBUSTIBLES SÓLIDOS COMO, POR EJEMPLO, MATERIALES DE CONSTRUCCIÓN, PAPEL Y CARTÓN, A UNA DISTANCIA PRUDENCIAL DEL CALENTADOR SEGÚN LO RECOMIENDAN LAS INSTRUCCIONES. NUNCA USE EL CALENTADOR EN ESPACIOS QUE CONTENGAN O PUEDAN CONTENER COMBUSTIBLES VOLÁTILES O EN SUSPENSIÓN EN EL AIRE NI PRODUCTOS COMO, POR EJEMPLO, GASOLINA, DISOLVENTES, SOLVENTES DE PINTURA, PARTÍCULAS DE POLVO O QUÍMICOS DESCONOCIDOS.

 SI NO SE OBSERVA EXACTAMENTE LA INFORMACIÓN CONTENIDA EN ESTE MANUAL, PUEDE PRODUCIRSE UN INCENDIO O UNA EXPLOSIÓN QUE, A SU VEZ, PUEDE OCASIONAR DAÑOS MATERIALES, LESIONES PERSONALES O PÉRDIDA DE VIDAS.

- NO GUARDE NI UTILICE GASOLINA U OTROS GASES Y LÍQUIDOS INFLAMABLES CERCA DE ESTE O CUALQUIER OTRO ARTEFACTO.
- NO DEBE GUARDARSE CILINDROS DE PL DESCONECTADOS CERCA DE ESTE O CUALQUIER OTRO ARTEFACTO.

QUÉ HACER SI HAY OLOR A GAS:

- NO TRATE DE ENCENDER EL CALENTADOR
- APAGUE TODA CLASE DE LLAMA VIVA
- CIERRE EL SUMINISTRO DE GAS DEL CALENTADOR
- SI CONTINÚA EL OLOR, PÓNGASE EN CONTACTO CON LA EMPRESA DE GAS O EL CUERPO DE BOMBEROS DE SU LOCALIDAD
- NO TOQUE NINGÚN INTERRUPTOR ELÉCTRICO NI UTILICE NINGÚN TELÉFONO DE LA EDIFICACIÓN EN QUE SE ENCUENTRE
- LLAME INMEDIATAMENTE A LA EMPRESA DE GAS DESDE EL TELÉFONO DE UN VECINO. SIGA LAS INSTRUCCIONES DE LA EMPRESA DE GAS
- SI NO PUEDE COMUNICARSE CON LA EMPRESA DE GAS, LLAME AL CUERPO DE BOMBEROS
- SÓLO TÉCNICOS CUALIFICADOS O LA EMPRESA DE GAS PUEDEN HACER LA REPARACIÓN.

 EL ESTADO DE CALIFORNIA EXIGE QUE SE HAGA LA SIGUIENTE ADVERTENCIA (PROPOSICIÓN 65): LOS PRODUCTOS DERIVADOS DE LA COMBUSTIÓN QUE PRODUCE ESTE PRODUCTO CONTIENEN MONÓXIDO DE CARBONO, UN COMPUESTO QUÍMICO QUE EL ESTADO DE CALIFORNIA RECONOCE COMO CAUSANTE DE CÁNCER Y MALFORMACIONES CONGÉNITAS (Y OTROS DAÑOS DEL SISTEMA REPRODUCTOR). NO USE ESTE CALENTADOR HASTA QUE HAYA LEÍDO Y ENTENDIDO TOTALMENTE ESTAS INSTRUCCIONES DE SEGURIDAD Y OPERACIÓN. SI NO SE CUMPLE CON LAS PRECAUCIONES E INSTRUCCIONES SUMINISTRADAS CON ESTE CALENTADOR, SE PUEDE SUFRIR LA MUERTE, LESIONES CORPORALES Y PÉRDIDAS MATERIALES COMO CONSECUENCIA DE INCENDIO, EXPLOSIÓN, QUEMADURA, ASFIXIA E INTOXICACIÓN POR MONÓXIDO DE CARBONO. SÓLO LAS PERSONAS QUE PUEDAN LEER Y ENTENDER ESTAS INSTRUCCIONES PUEDEN UTILIZAR O DARLE SERVICIO A ESTE CALENTADOR.

 ADVERTENCIA: NO DEBE UTILIZARSE EN HOGARES O VEHÍCULOS RECREATIVOS O TIENDAS DE CAMPAÑA.

 PARA USO EN EXTERIORES. USO INTERIOR ESTÁ PERMITIDO SÓLO PARA: LA CALEFACCIÓN TEMPORAL DE EDIFICIOS SUFICIENTEMENTE VENTILADOS O ESTRUCTURAS DE CONSTRUCCIÓN, ALTERACIÓN, O REPARACIÓN.

 ¡GUARDE ESTAS INSTRUCCIONES! 

## **ADVERTENCIA**

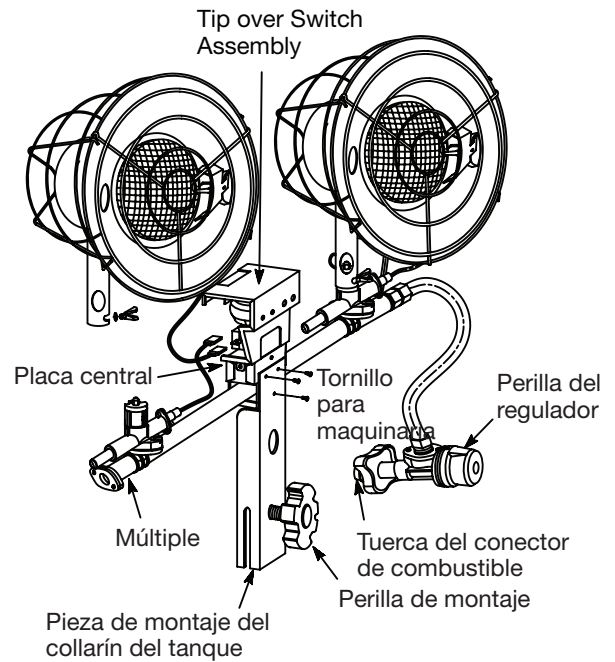
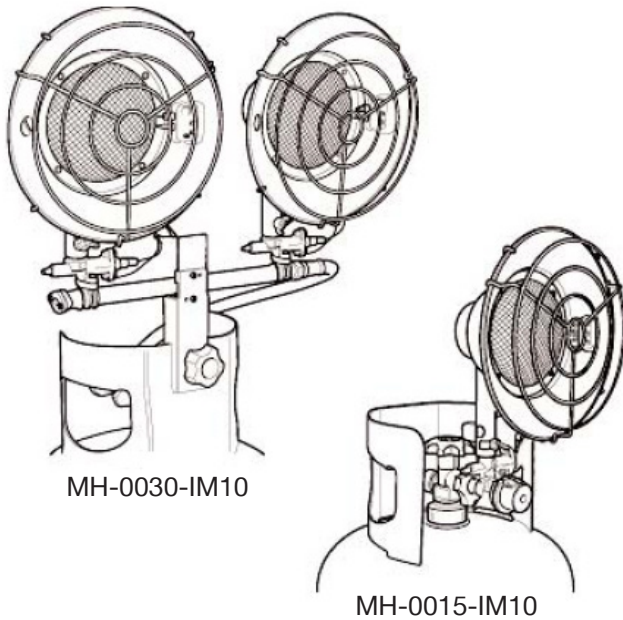
**LAS PAGINAS SIGUIENTES CONTIENEN INSTRUCCIONES DE OPERACION Y MANTENIMIENTO  
NO TRATE DE OPERAR ESTA LAVADORA A PRESION HASTA QUE HAYA LEIDO Y ENTENDIDO TODAS LAS PRECAUCIONES DE INSTRUCCIONES DE SEGURIDAD LISTADAS EN ESTE MANUAL.**

**¡¡LA OPERACION INCORRECTA DE ESTA UNIDAD PUEDE CAUSAR LESIONES GRAVES!!**

**¡¡DE NINGUNA MANERA ALTERE O MODIFIQUE ESTE EQUIPO!!**

**ADVERTENCIA: NUNCA DEJE DESATENDIDA LA CALENTADORA MIENTRAS ESTE ENCENDIDO O ESTE CONECTADA A UNA FUENTE ELÉCTRICA/DE ALIMENTACIÓN, O CUANDO ESTE CONECTADA A UNA FUENTE DE COMBUSTIBLE.**

## IDENTIFICACIÓN DEL PRODUCTO



## ESPECIFICACIONES

Núm. de modelo	MH-0015-IM10	MH-0030-IM10
Potencia Máx. (Btu/h)	16,000	32,000
Tiempo de Funcionamiento Cilindro de PL de 9 kg	27 horas en "HI" (ALTO)	14 horas en "HI" (ALTO)
Ignición	Cerillas	Cerillas
Tamaño (A x P x Alt)	21.3 x 18.8 x 30.5 (8.4" x 7.4" x 12.0")	44.5 x 14.0 x 30.5 (17.5" x 5.5" x 12.0")
Peso kg (libras)	1 kg (2.2)	2.3 kg (5)
Presión de Salida de Regulador	17 PSI	17 PSI

## INFORMACION GENERAL DE SEGURIDAD

**⚠ ADVERTENCIA: EL USO IMPROPIO DE ESTA CALENTADORA PUEDE RESULTAR CON HERIDA O MUERTE GRAVES DE QUEMADURAS, EL FUEGO, LA EXPLOSION, GOLPE ELECTRICO Y/O ENVENENAMIENTO DE MONOXIDO DE CARBONO**

**⚠ ADVERTENCIA: NO ES PARA EL USO EN CASA NI EL USO DE CARAVANA PEQUEÑA. LA ASAMBLEA DE LA MANGA SERA PROTEGIDA DEL TRAFICO, EL MATERIAL DE CONSTRUCCION Y CONTACTO CON SUPERFICIES CALIENTES DURANTE USO Y MIENTRAS EN EL ALMACENAMIENTO.**

Lea detenida y completamente este Manual del usuario antes de intentar usar o darle mantenimiento a este calentador. El uso inadecuado del calentador puede ocasionar lesiones graves o la muerte debido a incendio, explosión o envenenamiento por monóxido de carbono.

Toda posible circunstancia que podría implicar un peligro no puede ser anticipada. Las advertencias que aparecen en este manual y en la unidad no cubren por tanto todo. Si se utiliza un procedimiento, método de trabajo o técnica de operación no específicamente recomendado por Pinnacle, usted deberá asegurarse que es seguro para usted y para otros. También deberá asegurarse que no se dañará el equipo ni se hará éste inseguro por el método de operación o mantenimiento que usted elija. CONSULTE CON LAS AUTORIDADES DE SEGURIDAD DE INCENDIOS DE SU LOCALIDAD SI TIENE ALGUNA DUDA SOBRE EL USO DE ESTE CALENTADOR.

Otras normas rigen el uso de gases combustibles y materiales productores de calor en aplicaciones específicas. Sus autoridades locales pueden asesorarle sobre esas normas.

La ou les bouteilles de GPL doivent être fournies par l'utilisateur. Utiliser ce radiateur uniquement avec un système de retrait de vapeur de propane. Se reporter au chapitre 5 de la norme ANSI/NFPA 58 (Standard for Storage and Handling of Liquefied Petroleum Gas) sur l'entreposage et la manipulation du GPL. Votre bibliothèque municipale ou votre service des incendies possèdent ce livret.

**⚠ ADVERTENCIA: NUNCA DEJE DESATENDIDA LA CALENTADORA MIENTRAS ESTE ENCENDIDO O ESTE CONECTADA A UNA FUENTE ELÉCTRICO/ DE ALIMENTACIÓN, O CUANDO ESTE CONECTADA A UNA FUENTE DE COMBUSTIBLE.**

### IMPORTANT SAFETY INFORMATION

1. Mantenga el calentador fuera del alcance de niños y animales.
2. Siempre mantenga las distancias de separación adecuadas de los materiales combustibles. Las distancias de separación mínimas deberán ser:  
Lados – 61 cm, Parte superior – 91.4 cm; Frente – 183 cm.
3. El calentador debe colocarse en una base sólida y nivelada.
4. Utilícelo únicamente en superficies niveladas y estables.
5. No modifique el calentador ni utilice un calentador que haya sido modificado.
6. NO modifique este calentador ni utilice calentadores que se hayan modificado respecto a su estado original.
7. NUNCA use el calentador en viviendas habitadas.
8. NUNCA use el calentador en tiendas.
9. Antes de usar, compruebe que todos los dispositivos de protección estén instalados.
10. Para uso exterior e interior sólo en espacios bien ventilados. Para usar este calentador, debe disponer de un espacio abierto mínimo de 310 cm<sup>2</sup> abriendo una ventana o puerta por la que entre aire fresco del exterior. Para un número mayor de calentadores es necesario más ventilación.
11. Todo trabajo de mantenimiento y reparación deberá ser realizado por un técnico de servicio calificado. El calentador deberá ser inspeccionado antes de cada uso y al menos anualmente por una persona calificada. Es posible que se requiera una limpieza más frecuente según sea necesario. No repare ni le dé mantenimiento al calentador mientras está caliente o funcionando.
12. Nunca conecte el calentador en una fuente de gas no regulada.
13. Antes de conectar el calentador al cilindro de propano, compruebe que el calentador esté apagado (perilla del regulador en OFF).
14. NUNCA manipule el calentador mientras está encendido o caliente; podría ocasionarle quemaduras graves. Si el calentador está encendido, todas sus superficies alcanzan una temperatura muy alta. Antes de manipularlo, deje enfriar por espacio mínimo de 15 minutos.
15. Este calentador se envía de la fábrica para uso con gas LP (propano) únicamente. No lo convierta a ningún

## INFORMACION GENERAL DE SEGURIDAD

otro gas. La instalación deberá conformar con los códigos locales, o a falta de ellos, con la norma para el almacenamiento y la manipulación de gases de petróleo licuado ANSI/NFPA 58

16. No utilice este calentador en los cilindros de gas del LP de 20 libras más grandes. capacidad
17. Las conexiones de suministro de gas deben revisarse usando una solución de 50/50 de agua y jabón. Nunca use una llama para verificar la presencia de fugas de gas.
18. Mantenga el área del calentador libre de materiales combustibles como, por ejemplo, gasolina, solventes de pintura y otros líquidos y gases inflamables. El polvo es combustible. No use el calentador en áreas de alta concentración de polvo
19. No obstruya las áreas de entrada y salida de aire del calentador.
20. Siempre conecte el calentador en posición vertical. Nunca lo conecte en posición horizontal. Esto pondría en riesgo y entorpecería el funcionamiento de la unidad.
21. Use el calentador de manera que no tenga contacto directo con agua, lluvia o gotas de agua..
22. Siempre desconecte y separe el calentador del cilindro después de usar.

**⚠ ADVERTENCIA: NUNCA DEJE DESATENDIDA LA CALENTADORA MIENTRAS ESTE ENCENDIDO O ESTE CONECTADA A UNA FUENTE ELÉCTRICO/ DE ALIMENTACIÓN, O CUANDO ESTE CONECTADA A UNA FUENTE DE COMBUSTIBLE.**

### SUMINISTRO DE PROPANO (PL)

1. Usted debe suministrar el/los cilindro(s) de gas propano. Utilice este calentador sólo con sistemas de suministro de propano con dispositivo de recuperación de vapores. Consulte el capítulo 5 de la norma para el almacenamiento y la manipulación de gas licuado de petróleo, ANSI/NFPA 58. La biblioteca o el cuerpo de bomberos de su localidad deben tener este folleto.
2. Características del PL. Inflamable, explosivo bajo presión, más pesado que el aire y se acumula en niveles bajos.
3. En su estado natural, el propano es inodoro pero, por seguridad, se le ha añadido un odorizante que huele a repollo podrido.
4. El contacto de gas propano (PL) con la piel puede producirle quemaduras de congelación.
5. El calentador se ha fabricado para usarse sólo con gas de PL. NO trate de hacerle modificaciones que permitan usarlo con otro gas. Estas modificaciones son peligrosas y anulan la garantía.
6. Cuando no esté usando el calentador, debe cerrar el cilindro de PL.
7. Asegúrese de situar el cilindro de PL sobre una superficie nivelada y estable. El quemador debe estar a no menos de 61 cm del piso.
8. No utilice este calentador en sótanos o espacios subterráneos. El propano (PL) es más pesado que el aire y siempre desciende al nivel más bajo. Si sospecha que hay fugas, cierre inmediatamente la válvula del cilindro de PL. ¡No utilice una llama para verificar la presencia de fugas! Utilice una solución de partes iguales de agua y jabón lavaplatos para verificar la presencia de fugas. Repare todas las fugas antes de volver a encender el calentador.
9. Antes de usar, verifique el estado de la junta tórica del conector de entrada de combustible del calentador. Reemplace si se ha dañado o desgastado.
10. Guarde siempre el cilindro de PL afuera, pero no en un espacio cerrado. Nunca guarde el cilindro de PL en lugares muy calientes, cerca de llamas vivas ni donde reciba directamente la luz del sol. Nunca guarde el cilindro de PL adentro.
11. La cantidad de gas de PL que utiliza este calentador varía y está determinada por estos factores:
  1. La cantidad de gas contenido en el cilindro.
  2. La temperatura del cilindro y del área circundante.

**⚠ EXTREMADAMENTE CALIENTE CUANDO LA UNIDAD ESTÁ ENCENDIDA. NO TOQUE LOS ELEMENTOS METÁLICOS MIENTRAS ESTÉ ENCENDIDA LA UNIDAD. MANTENGA EL CALENTADOR ALEJADO DE GASOLINA Y OTROS LÍQUIDOS INFLAMABLES.**

**⚠ ADVERTENCIA: NO ES PARA EL USO EN CASA NI EL USO DE CARAVANA PEQUEÑA. LA ASAMBLEA DE LA MANGA SERA PROTEGIDA DEL TRAFICO, EL MATERIAL DE CONSTRUCCION Y CONTACTO CON SUPERFICIES CALIENTES DURANTE USO Y MIENTRAS EN EL ALMACENAMIENTO.**

**⚠ EVITAR QUE EL CALENTADOR DIRECTO HACIA CUALQUIER CILINDRO DE GAS PROPANO UBICADA A 20 METROS DEL CALENTADOR.**

# ASAMBLEA

## VENTILACIÓN

Para usar este calentador, debe disponer de un espacio mínimo de 310 cm<sup>2</sup> abriendo una ventana o puerta por la que entre aire fresco del exterior. Para un número mayor de calentadores es necesario más ventilación. La abertura debe tener al menos 0.28 m<sup>2</sup> por cada 100,000 Btu de capacidad máxima.

**⚠️ ADVERTENCIA: NUNCA DEJE DESATENDIDA LA CALENTADORA MIENTRAS ESTE ENCENDIDO O ESTE CONECTADA A UNA FUENTE ELÉCTRICO/ DE ALIMENTACIÓN, O CUANDO ESTE CONECTADA A UNA FUENTE DE COMBUSTIBLE.**

## MONTAJE

- Herramientas necesarias: Destornillador Phillips mediano

1. Coloque la pieza de montaje del collarín del tanque encima de la placa central. Asegúrese que la perilla de montaje se encuentre en la parte inferior, según se muestra en la Figura 2.
2. Inserte el tornillo para maquinaria en el orificio superior con el destornillador Phillips.
3. Inserte el segundo tornillo para maquinaria en el orificio inferior. Esto asegurará la pieza de montaje del collarín del tanque a la placa central.

## CONEXIÓN DEL CALENTADOR AL CILINDRO DE PL

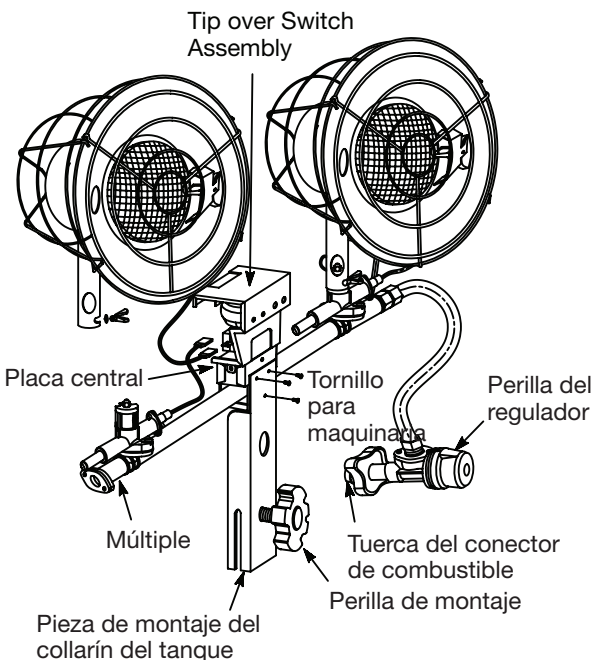
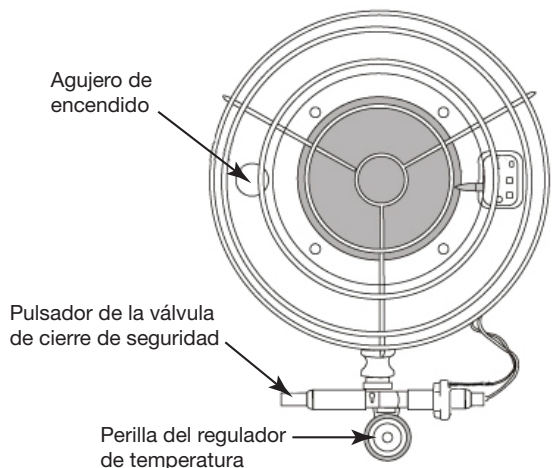
Asegúrese de leer y comprender toda la información de seguridad contenida en este manual antes de conectarel calentador al cilindro de PL.

## MODELOS DE UN QUEMADOR SOLAMENTE

1. Compruebe que el calentador esté apagado (perilla de control del regulador en "OFF").
2. Alinee las roscas de la tuerca del conector de combustible respecto a las roscas de la válvula del cilindro de PL. Apriete el conector de combustible girando hacia la izquierda la tuerca correspondiente. Apriete totalmente la tuerca, pero tenga cuidado de no apretar demasiado.
3. Abra lentamente la válvula del cilindro de PL.
4. Válgase de una solución de partes iguales de jabón lavaplatos y agua para verificar la presencia de fugas en todas las conexiones. La menor burbuja indica una fuga de gas. Quite y vuelva a conectar la tuerca del conector a la válvula.




## MODELOS DE DOS QUEMADORES SOLAMENTE

1. Compruebe que el calentador esté apagado (perilla de control del regulador en "OFF").
2. Alinee las ranuras de la pieza de montaje del collarín del tanque respecto al anillo del collarín del tanque y deslice hasta su lugar. Compruebe que la perilla de montaje esté hacia afuera, y apriete.
3. Alinee las roscas de la tuerca del conector de combustible respecto a las roscas de la válvula del cilindro de PL. Apriete el conector de combustible girando hacia la izquierda la tuerca correspondiente. Apriete totalmente la tuerca, pero tenga cuidado de no apretar demasiado.
4. Abra lentamente la válvula del cilindro de PL.
5. Válgase de una solución de partes iguales de jabón lavaplatos y agua para verificar la presencia de fugas en todas las conexiones. La menor burbuja indica una fuga de gas. Quite y vuelva a conectar la tuerca del conector a la válvula.





## OPERACIÓN

-  **ASEGÚRESE DE LEER Y COMPRENDER TODA LA INFORMACIÓN DE SEGURIDAD CONTENIDA EN ESTE MANUAL ANTES DE ENCENDER EL CALENTADOR. ADVERTENCIA**
-  **EL CALENTADOR TIENE SUPERFICIES QUE ALCANZAN TEMPERATURAS MUY ALTAS. ASEGÚRESE DE MANTENER A LOS NIÑOS Y MASCOTAS ALEJADOS DEL CALENTADOR. ASEGÚRESE DE MANTENER LOS QUEMADORES Y EL REGULADOR DEL CALENTADOR LIMPIOS Y SIN RESIDUOS. MANTÉNGASE A UNA DISTANCIA PRUDENCIAL DEL CALENTADOR COMO SE MUESTRA EN LA PÁGINA 3.**
-  **ADVERTENCIA: NUNCA DEJE DESATENDIDA LA CALENTADORA MIENTRAS ESTE ENCENDIDO O ESTE CONECTADA A UNA FUENTE ELÉCTRICO/ DE ALIMENTACIÓN, O CUANDO ESTE CONECTADA A UNA FUENTE DE COMBUSTIBLE.**

### INSTRUCCIONES DE ENCENDIDO

-  **SIEMPRE MANTÉNGASE A LA PARTE LATERAL O POSTERIOR DEL CALENTADOR.**
-  **SIEMPRE MANTÉNGASE LA CARA Y OTRAS PARTES DEL CUERPO LEJOS DEL CALENTADOR.**

### MODELOS DE ENCENDIDO CON CERILLAS SOLAMENTE

1. ¡DETÉNGASE! Asegúrese de leer toda la información de seguridad.
2. Compruebe que esté abierta la válvula del cilindro de propano.
3. Gire la perilla del regulador del calentador hacia la derecha para apagar (“OFF”).
4. Espere cinco (5) minutos para que el gas presente se disipe. Válgase del olfato para detectar la presencia de gas alrededor del calentador, incluso, a nivel del piso. Si siente olor a gas, ¡DETÉNGASE! Siga las instrucciones de seguridad y verifique la presencia de fugas. Si no huele a gas, continúe al siguiente paso.

### **ADVERTENCIA NUNCA USE UNA LLAMA PARA VERIFICAR LA PRESENCIA DE FUGAS DE GAS..**

5. Gire el botón regulador en sentido antihorario a la posición “HI (alto)”.

*AVISO: Cuando se conecta el calentador al suministro de gas por primera vez, se debe oprimir el pulsador unos treinta (30) segundos para extraer todo el aire que pueda haber en la manguera y, después, soltar.*

6. Inserte un fósforo encendido en el agujero de encendido en el reflector.
7. Presione el cierre de seguridad émbolo de la válvula durante cinco (5) segundos.
8. Quemador de malla se iluminará y brillará en rojo.

### **NO INTRODUZCA LA CERILLA ENCENDIDA EN EL TUBO MEZCLADOR A TRAVÉS DE LOS AGUJEROS DE ENTRADA DE AIRE.**

### **NUNCA MIRE POR ENCIMA DEL CALENTADOR DURANTE EL ENCENDIDO. EL CALENTADOR PUEDE PRODUCIR UNA PEQUEÑA EXPLOSIÓN DURANTE EL ENCENDIDO, LO CUAL PUEDE OCASIONAR LESIONES CORPORALES GRAVES.**

9. Una vez encendida, mantenga el émbolo presionado por treinta (30) segundos. A continuación, suelte el émbolo, y si el quemador permanece encendido, quite y extingue el partido. Usted sabrá que el quemador está encendido cuando la pantalla de malla comienza a brillar de color rojo.
10. Si el quemador no permanece encendido, repita el proceso de iluminación. Si el calentador no se enciende después de varios intentos, asegúrese de que está recibiendo el combustible al quemador. El ligero olor a gas le dirá si el combustible está fluyendo. Si no es así, puede haber un problema con el tanque de gas. Tome de nuevo a su distribuidor local para el reemplazo.
11. Cuando el quemador está encendido, gire la perilla de control del regulador a la posición deseada (HI-alto) / (MED-mediano) / (LO-bajo)
12. Encienda todos los quemadores cuando se desea el máximo de calor. Siga los pasos 1-11 de las instrucciones de encendido. El segundo y tercer quemador debe encenderse por separado. No intente encender el segundo quemador apagado el primer quemador. Asegúrese de no apuntar quemadores de unos a otros.

### PARA APAGAR EL CALENTADOR

1. Gire la válvula del cilindro de PL hacia la izquierda para interrumpir el paso del combustible.
2. Gire la perilla del regulador del calentador a la posición “OFF” y deje enfriar el calentador al menos quince (15) minutos.
3. Cierre bien la válvula de cierre de gas en el tanque de gas después de cada uso.
4. Separe el calentador del cilindro de PL invirtiendo el procedimiento descrito en Conexión del calentador a el cilindro de PL en la página 4. No guarde el cilindro de PL aún conectado al calentador ni en un espacio cerrado.

## MANTENIMIENTO

### MANTENIMIENTO Y ALMACENAMIENTO

1. Inspeccione siempre el calentador antes de encenderlo. Verifique la presencia de fugas en todas las conexiones siguiendo el procedimiento descrito en las páginas 4 y 5. Compruebe que la manguera del regulador (modelos de dos quemadores solamente) no esté agrietada, rota ni desgastada. Si está dañada la manguera, reemplácela por el repuesto indicado por el fabricante.
2. Después de usar, desconecte siempre el calentador del cilindro de PL y guarde el calentador separado del tanque. Asegúrese de cerrar la válvula del tanque después de usar y antes de guardar. El cilindro de PL debe guardarse afuera de acuerdo con el capítulo 5 de la norma para el almacenamiento y la manipulación de gas licuado de petróleo (ANSI/INFPA 58).



**PRECAUCION MANTENGA SIEMPRE EL CALENTADOR FUERA DEL ALCANCE DE LOS NIÑOS.**



**ADVERTENCIA: NUNCA DEJE DESATENDIDA LA CALENTADORA MIENTRAS ESTE ENCENDIDO O ESTE CONECTADA A UNA FUENTE ELÉCTRICO/ DE ALIMENTACIÓN, O CUANDO ESTE CONECTADA A UNA FUENTE DE COMBUSTIBLE.**





## GARANTIA LIMITADA

Garantía limitada de protemp. Por un año. Mi-T-M le garantiza al Usuario original que los modelos tratados en este manual de los calentadores de aceite portátiles Protemp® están libres de defectos en la mano de obra o el material, cuando se les somete a uso Normal, por un año a partir de la fecha de compra. Cualquier parte que se halle defectuosa, ya sea en el material o en la mano de obra, y sea devuelta (con los costos de envío pagados por Adelantado) a un centro de servicio autorizado designado por Mi-T-M, será reparada o reemplazada (no Existe otra posibilidad) según lo determine Mi-T-M. Para obtener información sobre los procedimientos de reclamo cubiertos en la garantía limitada, vea la sección "atención oportuna" que aparece más adelante. Esta garantía limitada confiere al comprador derechos legales específicos que varían de Jurisdicción a jurisdicción.

Límites de responsabilidad. En la medida en que las leyes aplicables lo permitan, la responsabilidad de Mi-T-M por los daños emergentes o incidentales está expresamente excluida. La responsabilidad de Mi-T-M expresamente está limitada y no puede exceder el precio de compra pagado por el artículo. Exclusión de responsabilidad de la garantía. Se han hecho esfuerzos diligentes para proporcionar información e ilustraciones apropiadas sobre el producto en este manual; sin embargo, esta información y las ilustraciones tienen como único propósito la identificación del producto y no EX-PRESAN NI IMPLICAN GARANTÍA DE QUE LOS PRODUCTOS SEAN VENDIBLES O ADECUADOS PARA UN PROPÓSITO EN PARTICULAR NI QUE SE AJUSTAN NECESARIAMENTE A LAS ILUSTRACIONES O DESCRIPCIONES. CON EXCEPCIÓN DE LO QUE SE ESTABLECE A CONTINUACIÓN, MI-T-M NO HACE NI AUTORIZA NINGUNA GARANTÍA O AFIRMACIÓN DE HECHO, EXPRESA O IMPLÍCITA, QUE NO SEA ESTIPULADA EN LA "GARANTÍA LIMITADA" ANTERIOR. Consejo Técnico y Recomendaciones, Exclusiones de Responsabilidad. A pesar de las prácticas, negociaciones o usos comerciales realizados previamente, las ventas no deberán incluir el suministro de consejo técnico o asistencia o diseño del sistema. Mi-T-M no asume ninguna obligación o responsabilidad por recomendaciones, opiniones o consejos no autorizados sobre la elección, instalación o uso de los productos. Adaptación del Producto. Muchas jurisdicciones tienen códigos o regulaciones que rigen la venta, la construcción, la instalación y/o el uso de productos para ciertos propósitos que pueden variar con respecto a los aplicables a las zonas vecinas. Si bien se trata de que los productos Mi-T-M cumplan con dichos códigos, no se puede garantizar su conformidad y no se puede hacer responsable por la forma en que se instale o use su producto. Antes de comprar y usar el producto, revise su aplicación y todos los códigos y regulaciones nacionales y locales aplicables y asegúrese de que el producto, la instalación y el uso los cumplan. Ciertos aspectos de limitación de responsabilidad no se aplican a productos al consumidor; es decir (a) algunas jurisdicciones no permiten la exclusión ni limitación de daños incidentales o consecuentes, de modo que las limitaciones o exclusiones anteriores quizás no apliquen en su caso; (b) asimismo, algunas jurisdicciones no permiten limitar el plazo de una garantía implícita, por lo tanto, la limitación anterior quizás no aplique en su caso; y (c) por ley, mientras la Garantía Limitada esté vigente no podrán excluirse ni limitarse en modo alguno ninguna garantía implícita de comercialización o de idoneidad para un propósito en particular aplicables a los productos al consumidor adquiridos por éste. Atención Oportuna. Se hará un esfuerzo de buena fe para corregir puntualmente, o hacer otros ajustes, con respecto a cualquier producto que resulte defectuoso dentro de los términos de esta garantía limitada. En el caso de que encuentre un producto defectuoso y que esté cubierto dentro de los límites de esta garantía haga el favor de escribir primero, o llame, al distribuidor a quien le compró el producto. El distribuidor le dará las instrucciones adicionales. Si no puede resolver el problema en forma satisfactoria, escriba a Mi-T-M a la dirección a continuación, dando el nombre del distribuidor, su dirección, la fecha y el número de la factura del distribuidor y describa la naturaleza del defecto. La propiedad del artículo y el riesgo de pérdida pasan al comprador en el momento de la entrega del artículo a la compañía de transporte. Si el producto se daña durante el transporte, debe presentar su reclamo a la compañía transportista.

For Service or Warranty Consideration, contact  
Mi-T-M® Corporation, 8650 Enterprise Drive, Peosta, IA 52068  
563-556-7484 / 800-553-9053 / Fax 563-556-1235  
Monday - Friday 8:00 a.m. - 5:00 p.m. CST

Manufactured by Mi-T-M  
8650 Enterprise Drive, Peosta IA 52068  
563-556-7484/ Fax 563-556-1235